



US00D558651S

(12) **United States Design Patent**  
**Ikeda et al.**

(10) **Patent No.:** **US D558,651 S**  
(45) **Date of Patent:** **\*\* Jan. 1, 2008**

(54) **STEERING WHEEL FOR A GAME CONTROLLER**

D516,477 S \* 3/2006 Tomasson et al. .... D12/176

\* cited by examiner

(75) Inventors: **John Ikeda**, Seattle, WA (US); **Joshua David Maruska**, Seattle, WA (US)

*Primary Examiner*—Melody N. Brown  
(74) *Attorney, Agent, or Firm*—Banner & Witcoff, Ltd.

(73) Assignee: **Microsoft Corporation**, Redmond, WA (US)

(57) **CLAIM**

(\*\*) Term: **14 Years**

The ornamental design for a steering wheel for a game controller, as shown and described.

(21) Appl. No.: **29/275,193**

**DESCRIPTION**

(22) Filed: **Dec. 15, 2006**

FIG. 1 is a front perspective view of a steering wheel for a game controller showing our new design;

(51) **LOC (8) Cl.** ..... **12-16**

FIG. 2 is a front view thereof;

(52) **U.S. Cl.** ..... **D12/176**

FIG. 3 is a rear view thereof;

(58) **Field of Classification Search** ..... D12/175-177;  
74/552, 558, 558.5

FIG. 4 is a left view thereof;

See application file for complete search history.

FIG. 5 is a right view thereof;

FIG. 6 is a top view thereof; and,

FIG. 7 is a bottom view thereof.

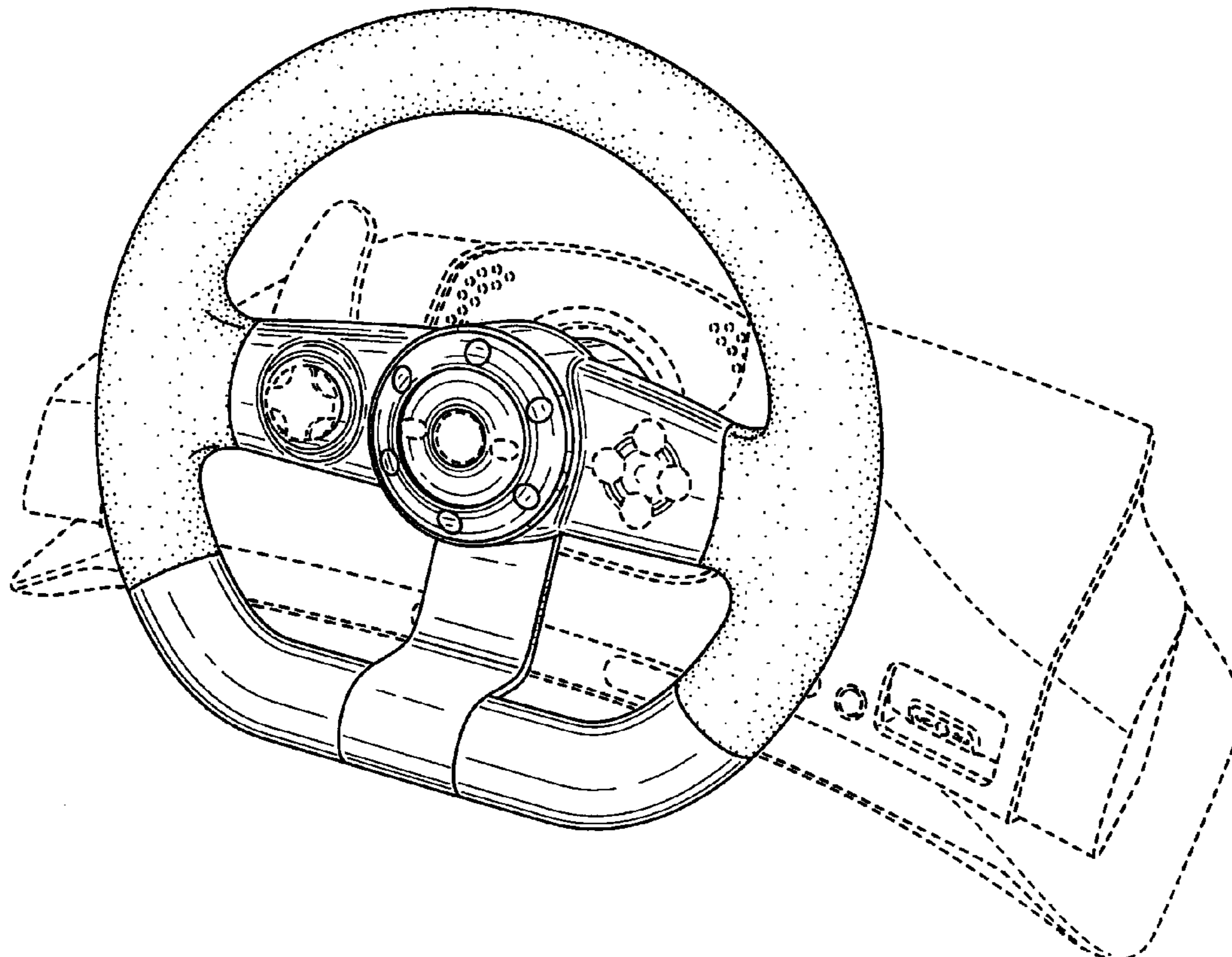
(56) **References Cited**

The broken line showing of various regions on the steering wheel and the remainder of the game controller is for illustrative purposes only and forms no part of the claimed design. The contrast in shading represents a contrast in appearance and no specific color or texture is claimed.

**U.S. PATENT DOCUMENTS**

D463,764 S	*	10/2002	Swan et al.	.....	D12/176
D464,595 S	*	10/2002	Zorkendorfer et al.	.....	D12/176
D476,607 S	*	7/2003	Stern et al.	.....	D12/176
D479,168 S	*	9/2003	Faust et al.	.....	D12/176
D494,516 S	*	8/2004	Swan et al.	.....	D12/176
D511,485 S	*	11/2005	Juraschek et al.	.....	D12/176

**1 Claim, 5 Drawing Sheets**



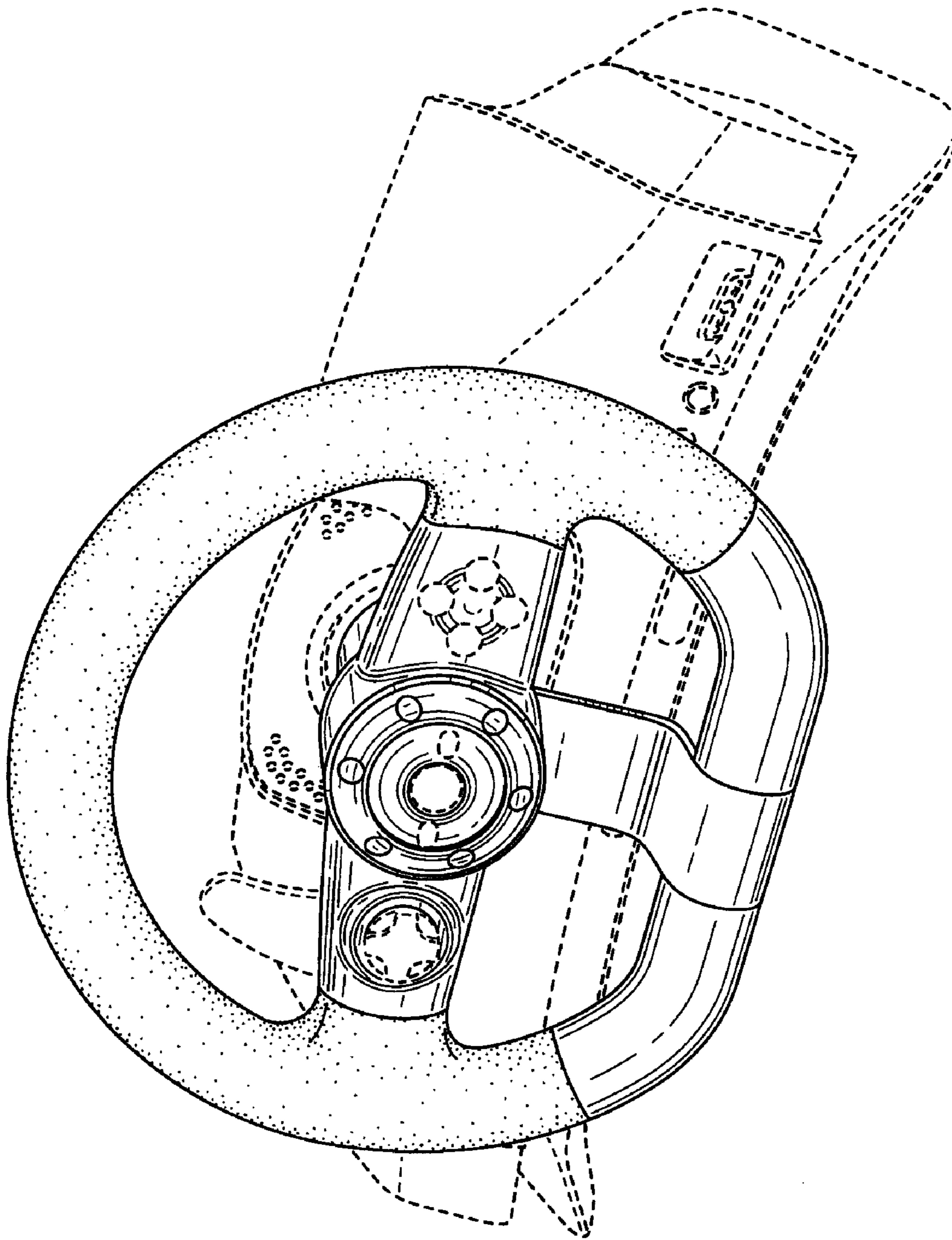


FIG. 1

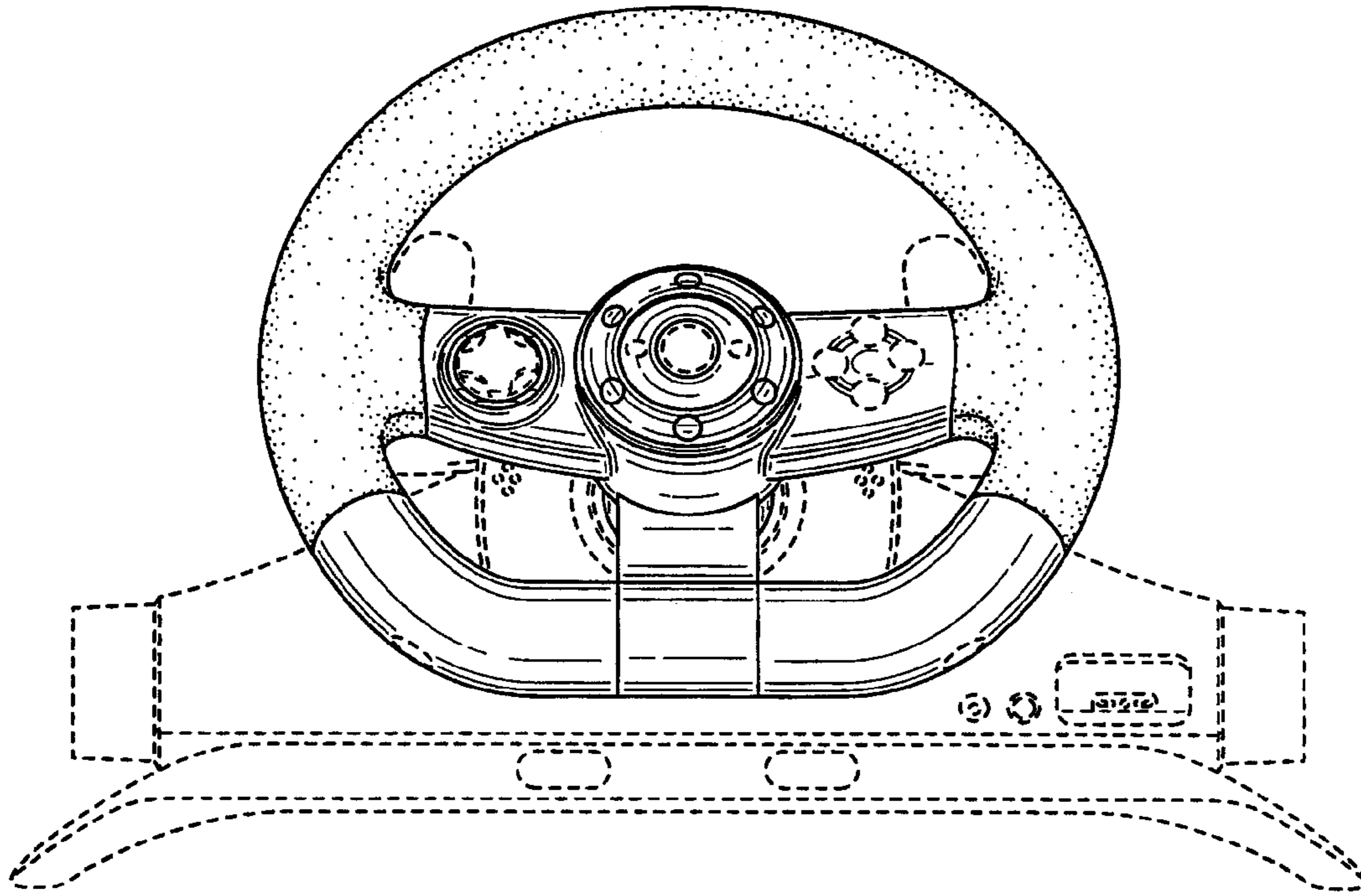


FIG. 2

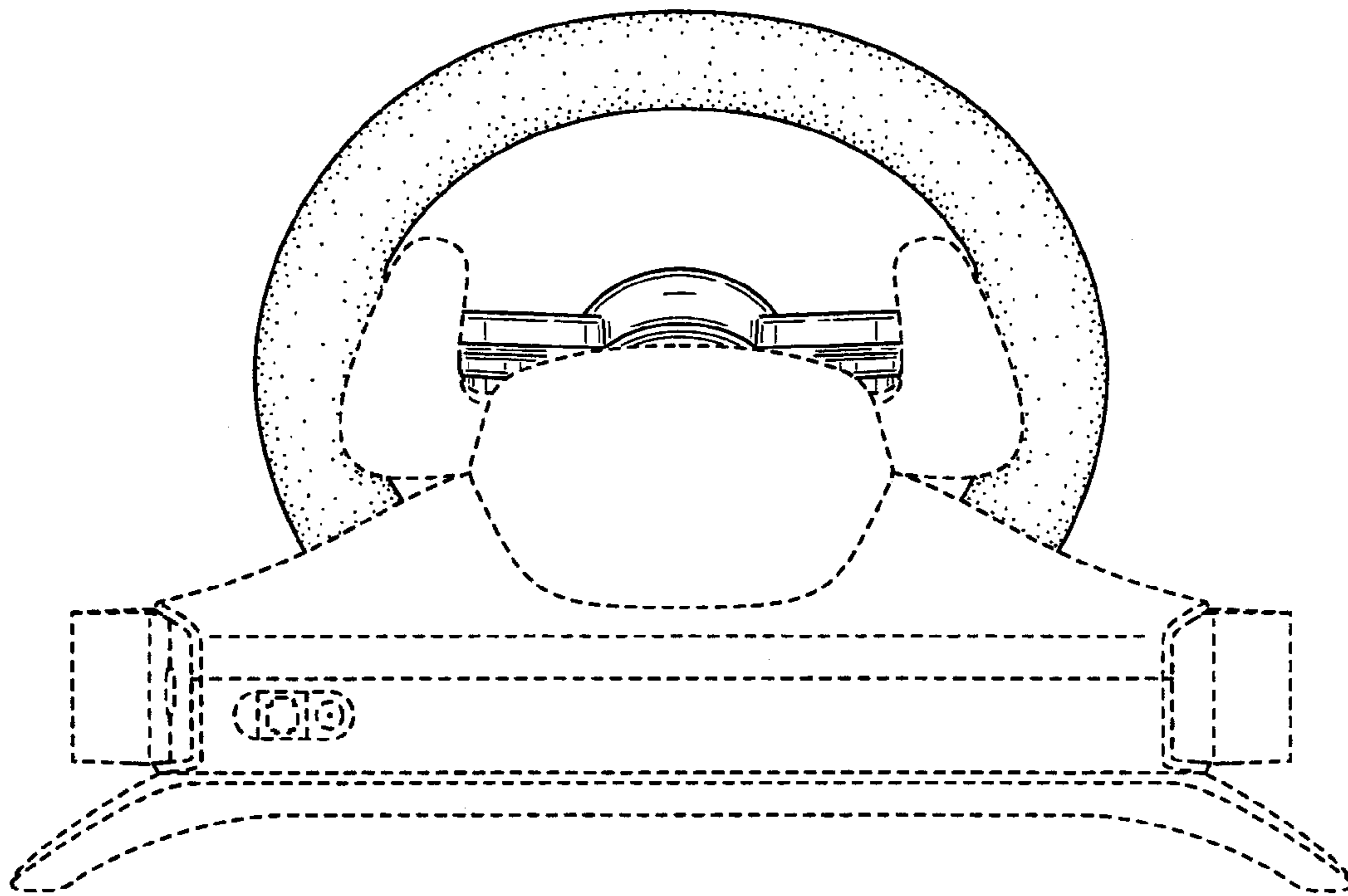


FIG. 3



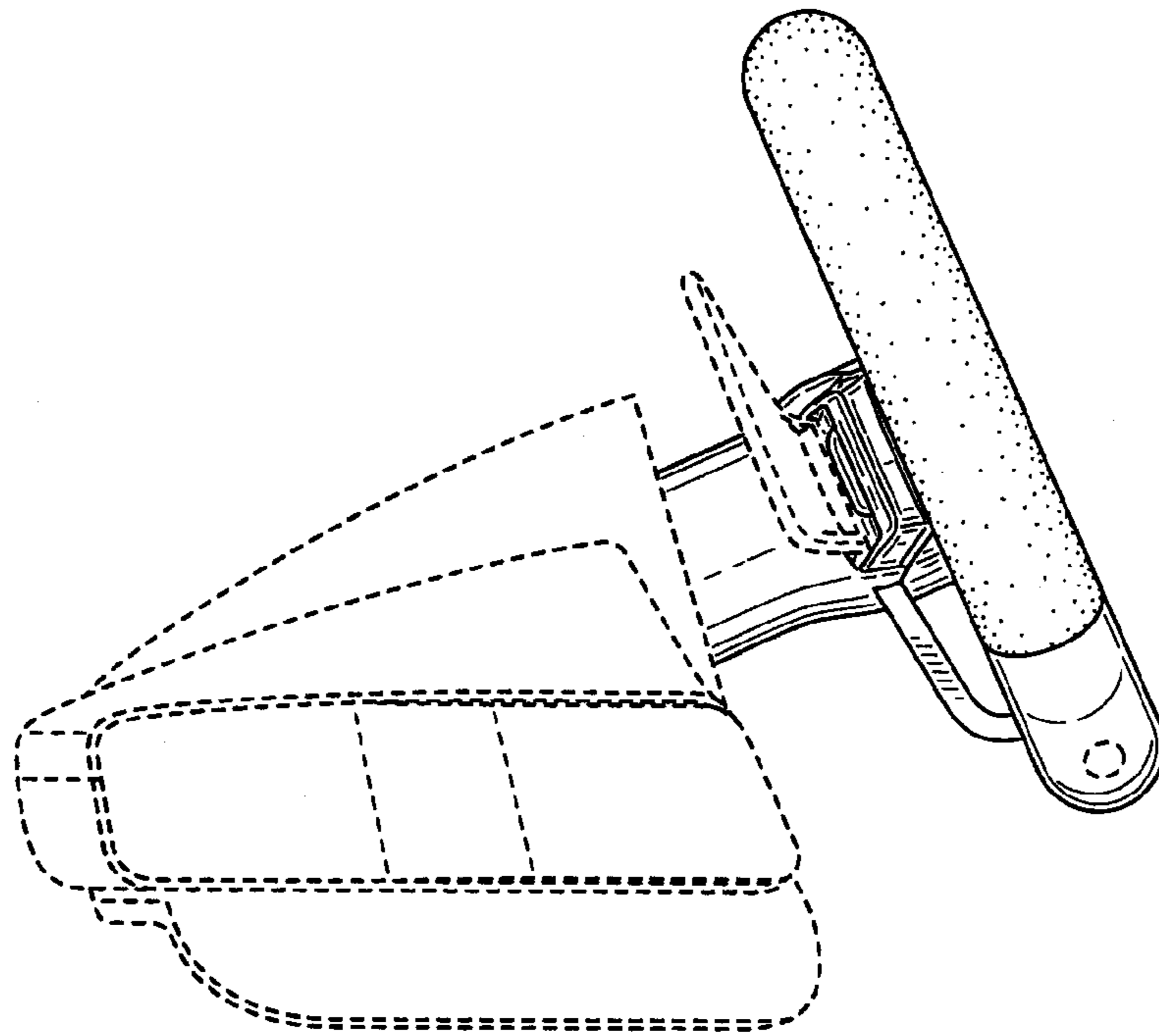


FIG. 4

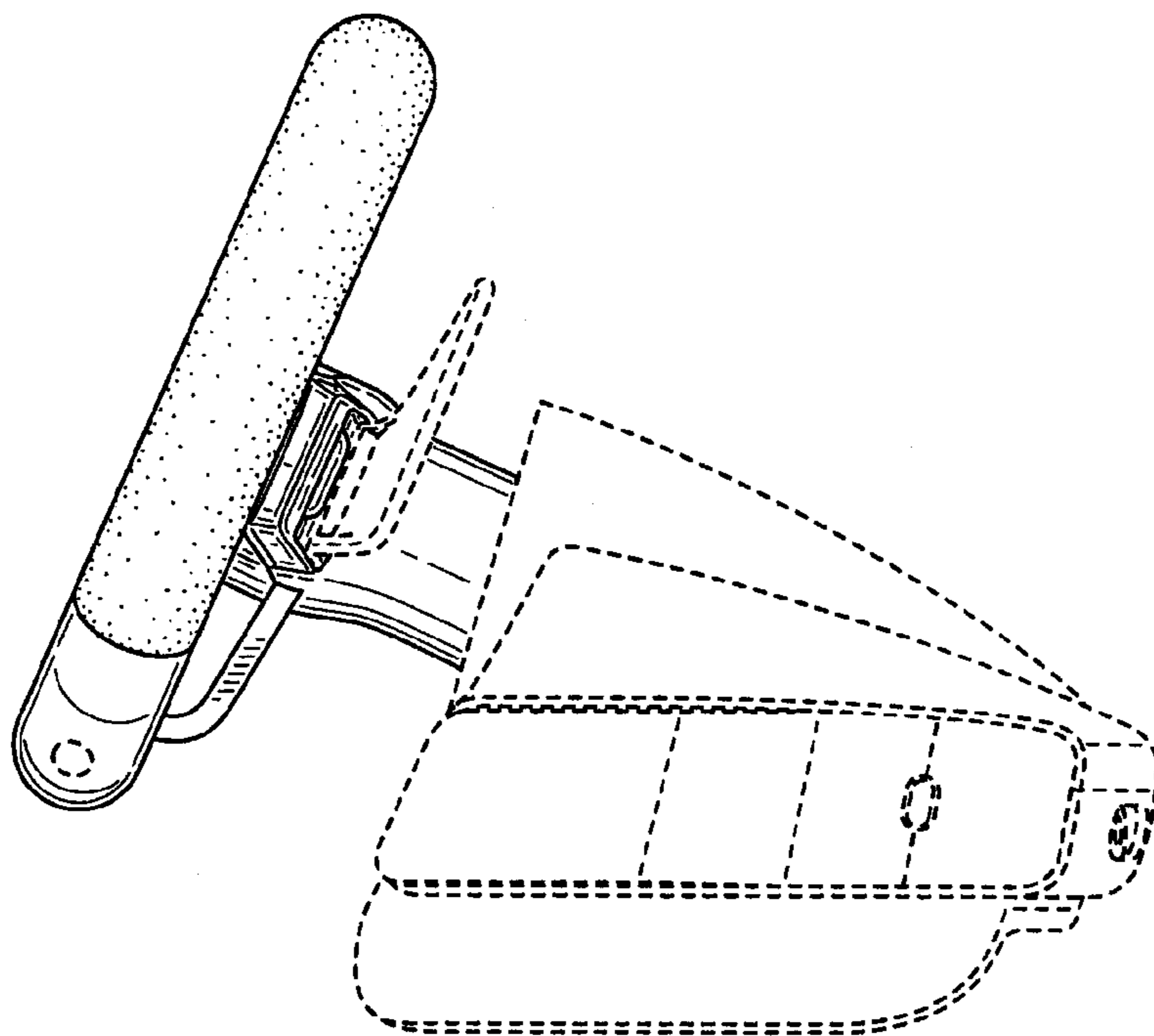


FIG. 5

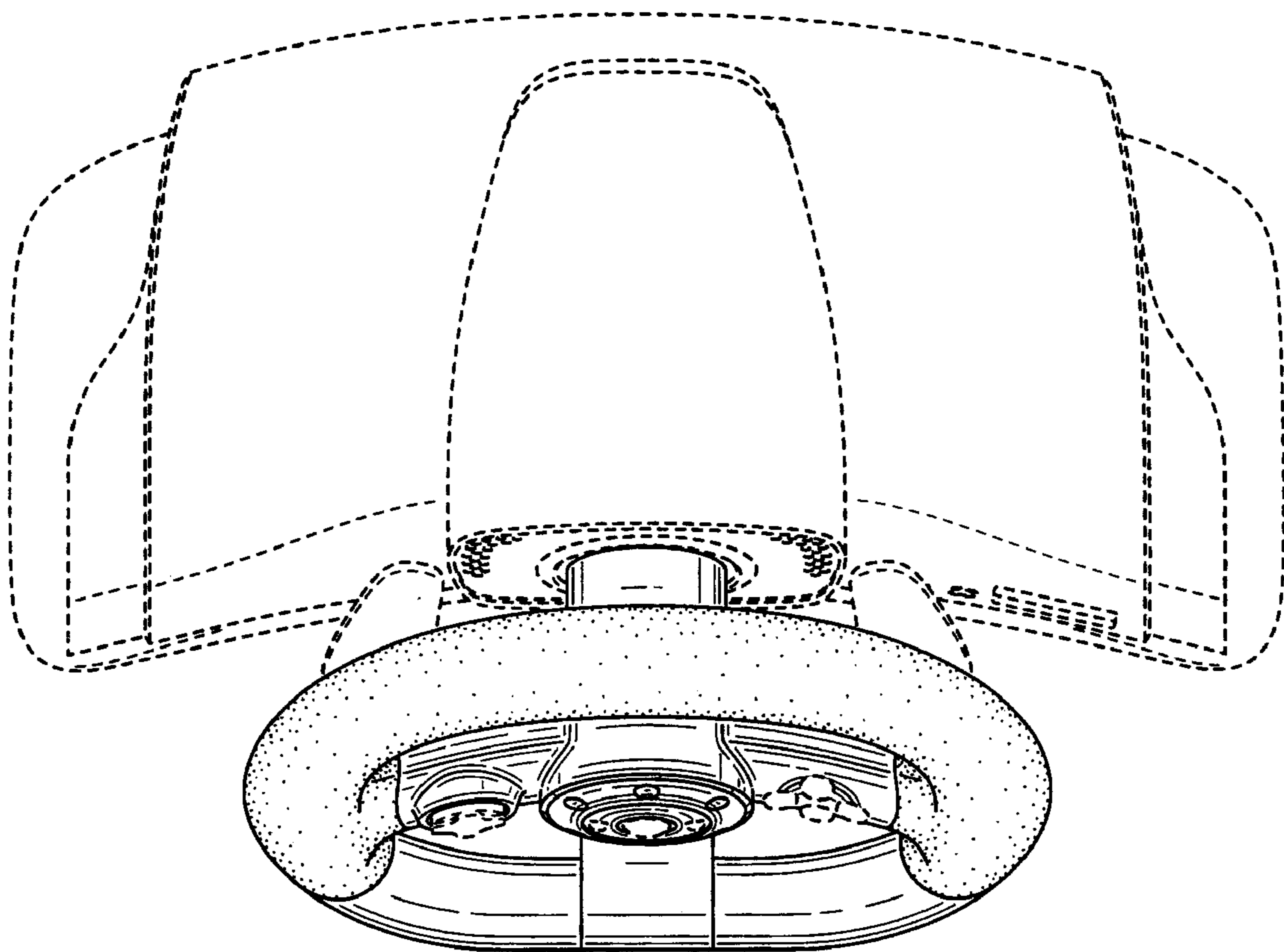


FIG. 6

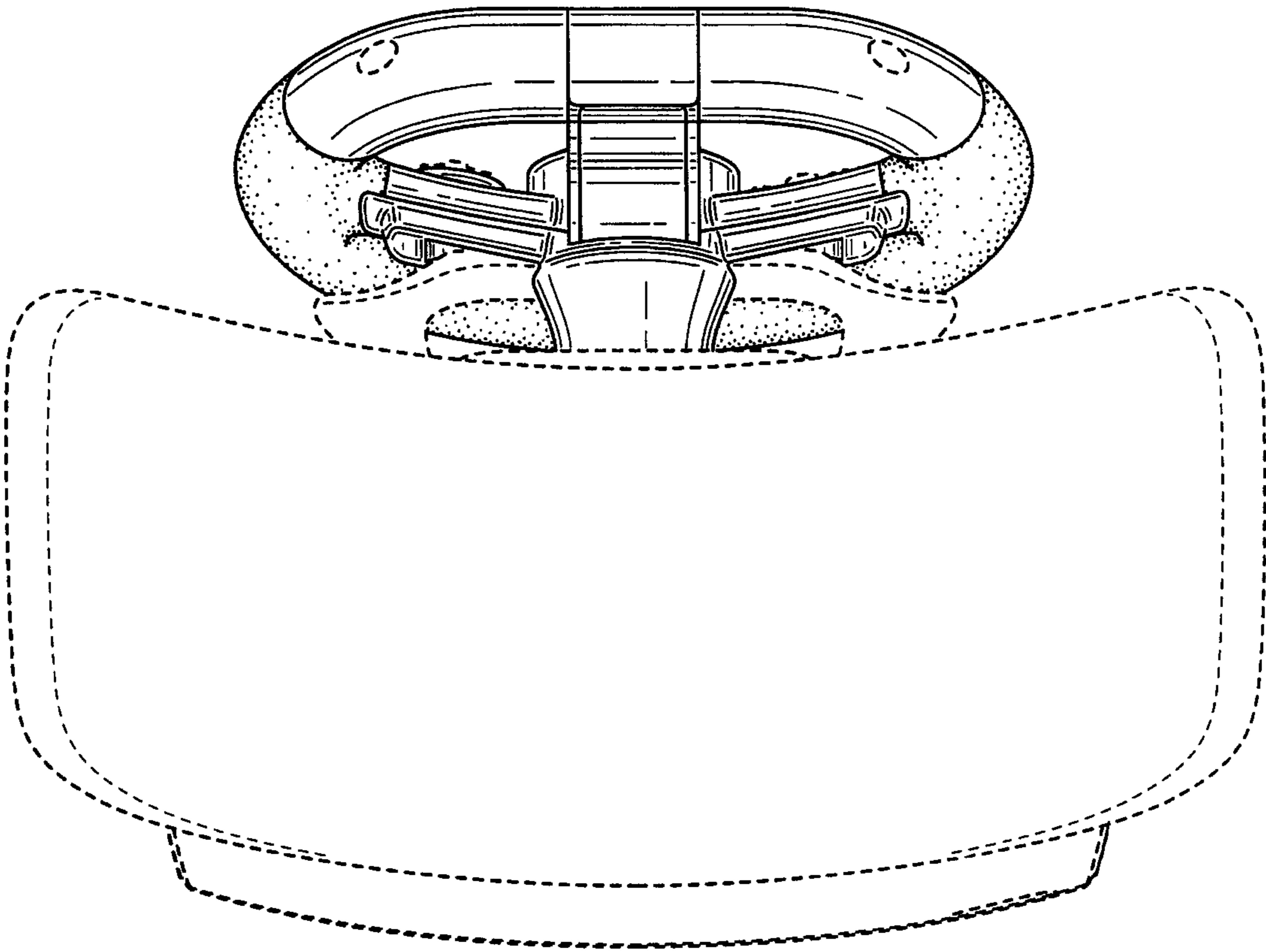


FIG. 7