



US00D558650S

(12) **United States Design Patent** (10) **Patent No.:** **US D558,650 S**
Marquez (45) **Date of Patent:** **** Jan. 1, 2008**

(54) **TRUCK GRILLE**

(76) Inventor: **Juan Marquez**, 12423 South St.,
Cerritos, CA (US) 90703

(**) Term: **14 Years**

(21) Appl. No.: **29/244,527**

(22) Filed: **Dec. 9, 2005**

(51) **LOC (8) Cl.** **12-16**

(52) **U.S. Cl.** **D12/163**

(58) **Field of Classification Search** D12/163,
D12/171, 90-92, 216; 180/68.1, 68.6; 296/193.1
See application file for complete search history.

(56) **References Cited**

U.S. PATENT DOCUMENTS

| | | | | | |
|------------|---|---------|----------|-------|---------|
| D479,180 S | * | 9/2003 | Cicansky | | D12/216 |
| D492,241 S | * | 6/2004 | Cicansky | | D12/216 |
| D511,722 S | * | 11/2005 | Cicansky | | D12/163 |
| D541,707 S | * | 5/2007 | Komuro | | D12/163 |

* cited by examiner

Primary Examiner—Melody N. Brown

(74) *Attorney, Agent, or Firm*—Myers Dawes Andras &
Sherman LLP; Joseph C. Andras

(57) **CLAIM**

I claim the ornamental design for a truck grille, as shown and described.

DESCRIPTION

FIG. 1 is a front elevational view of a truck grille according to the invention, with the truck, portions of the grille, and an exemplary emblem outline shown in broken lines to represent environmental structure that forms no part of the claimed design;

FIG. 2 is a front elevational view of the truck grill according to the invention;

FIG. 3 is a top plan view thereof;

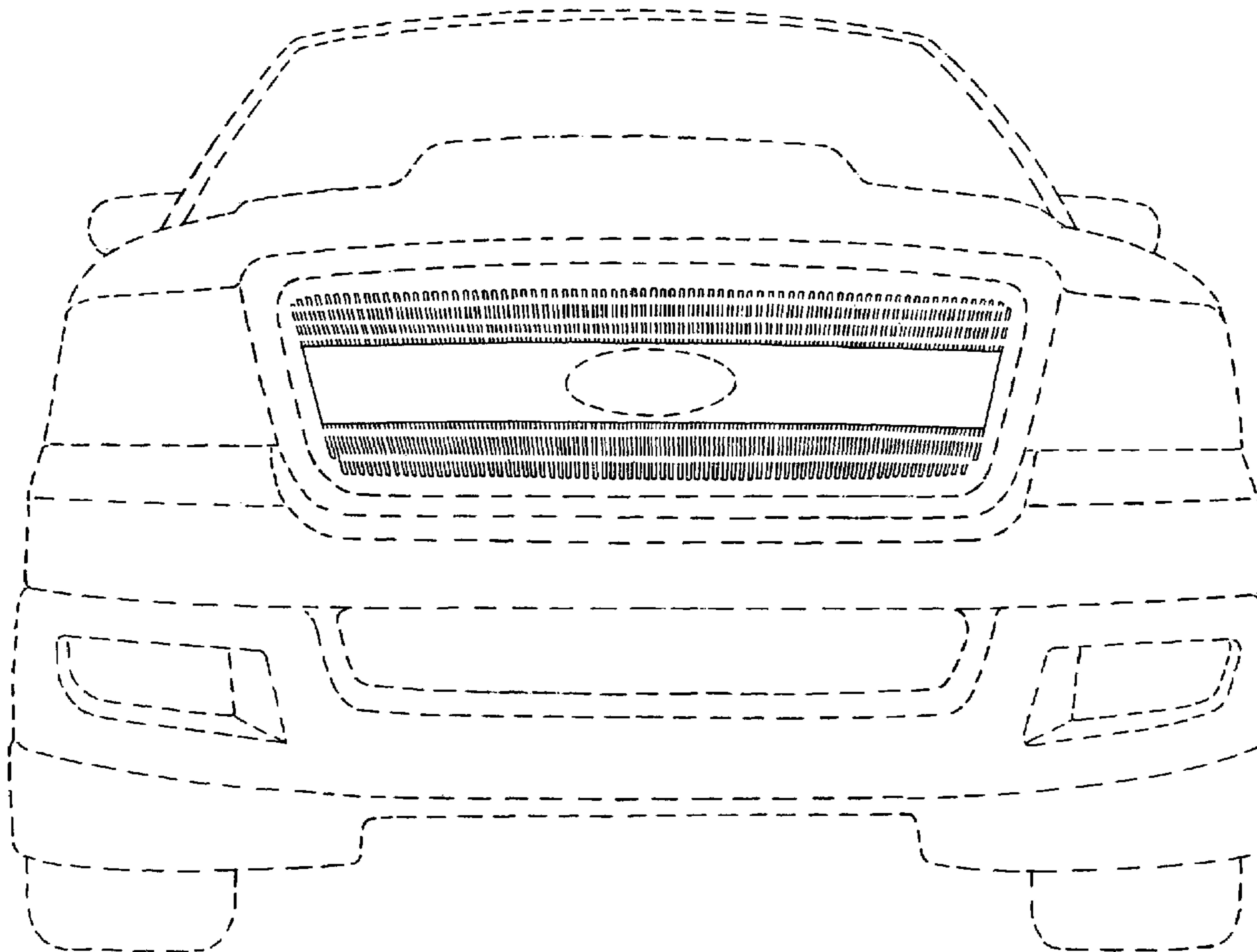
FIG. 4 is a bottom plan view thereof;

FIG. 5 is a left side view thereof;

FIG. 6 is a right side view thereof; and,

FIG. 7 is a perspective view thereof.

1 Claim, 2 Drawing Sheets



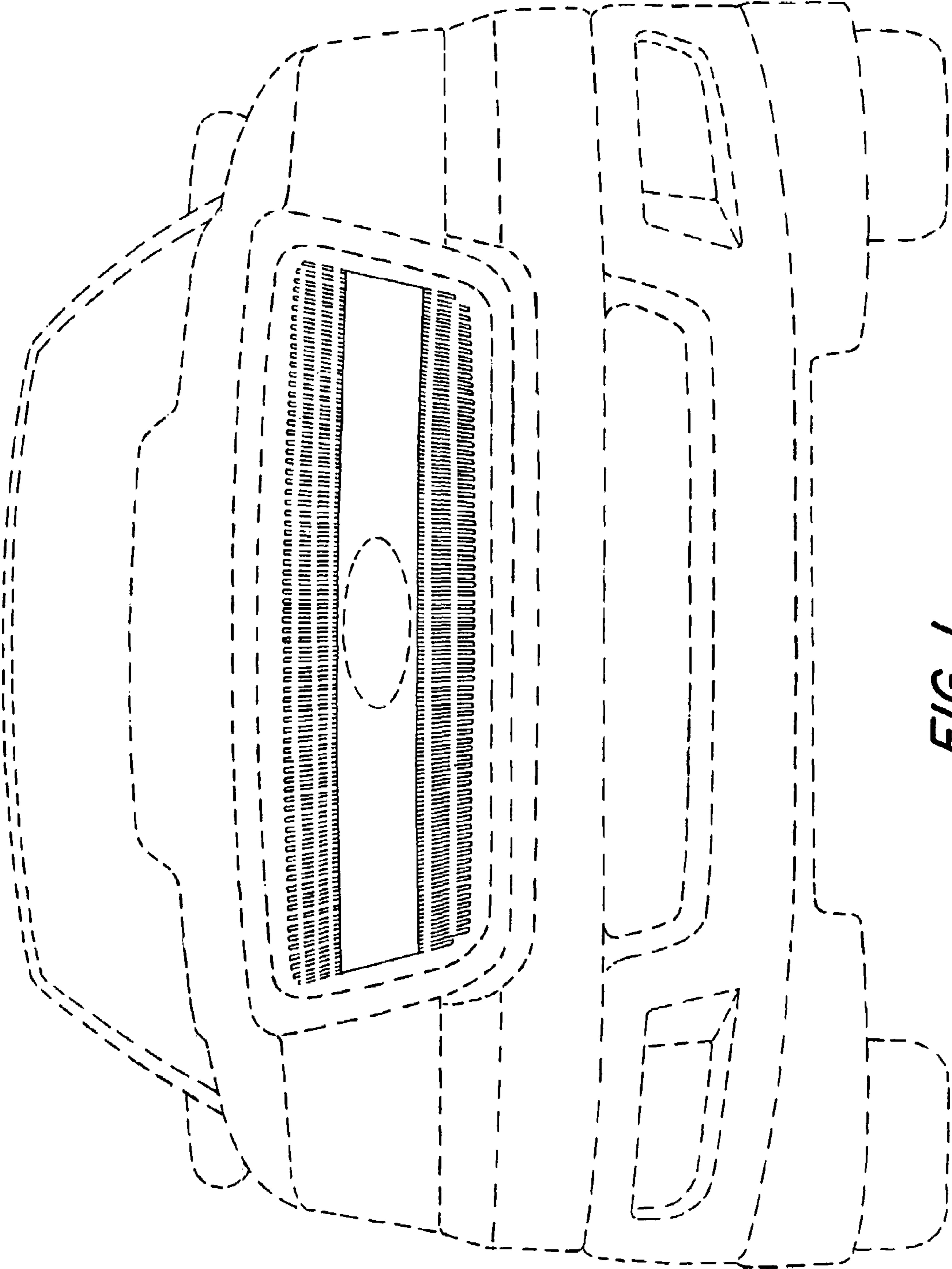


FIG. 1

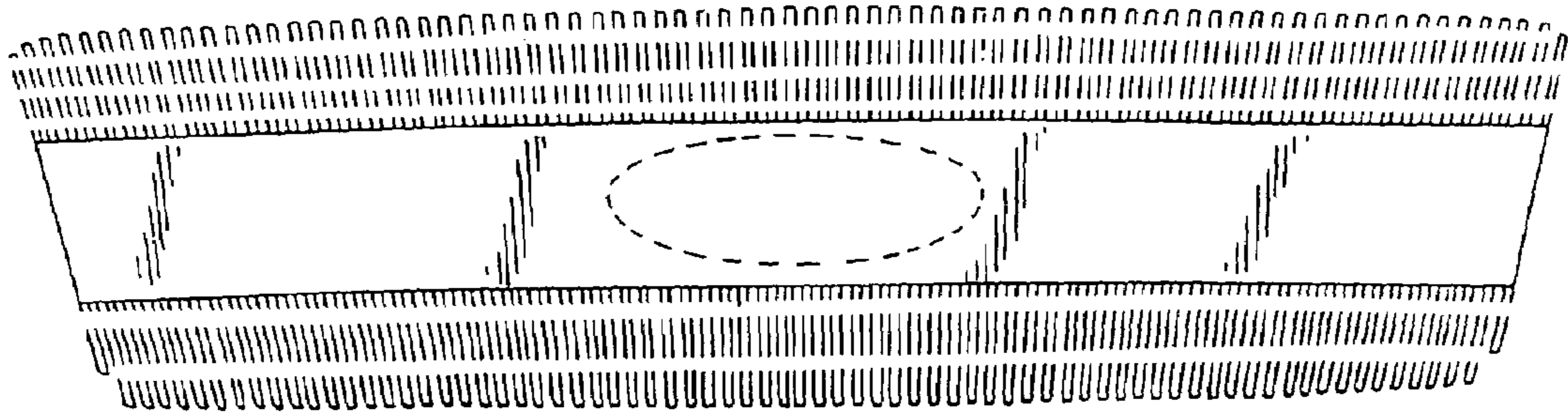


FIG. 2



FIG. 3

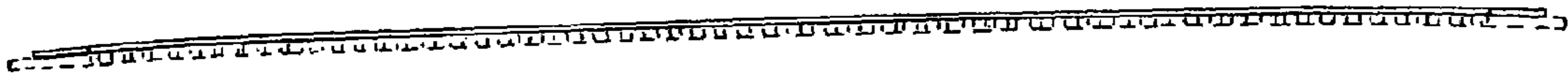


FIG. 4



FIG. 5



FIG. 6

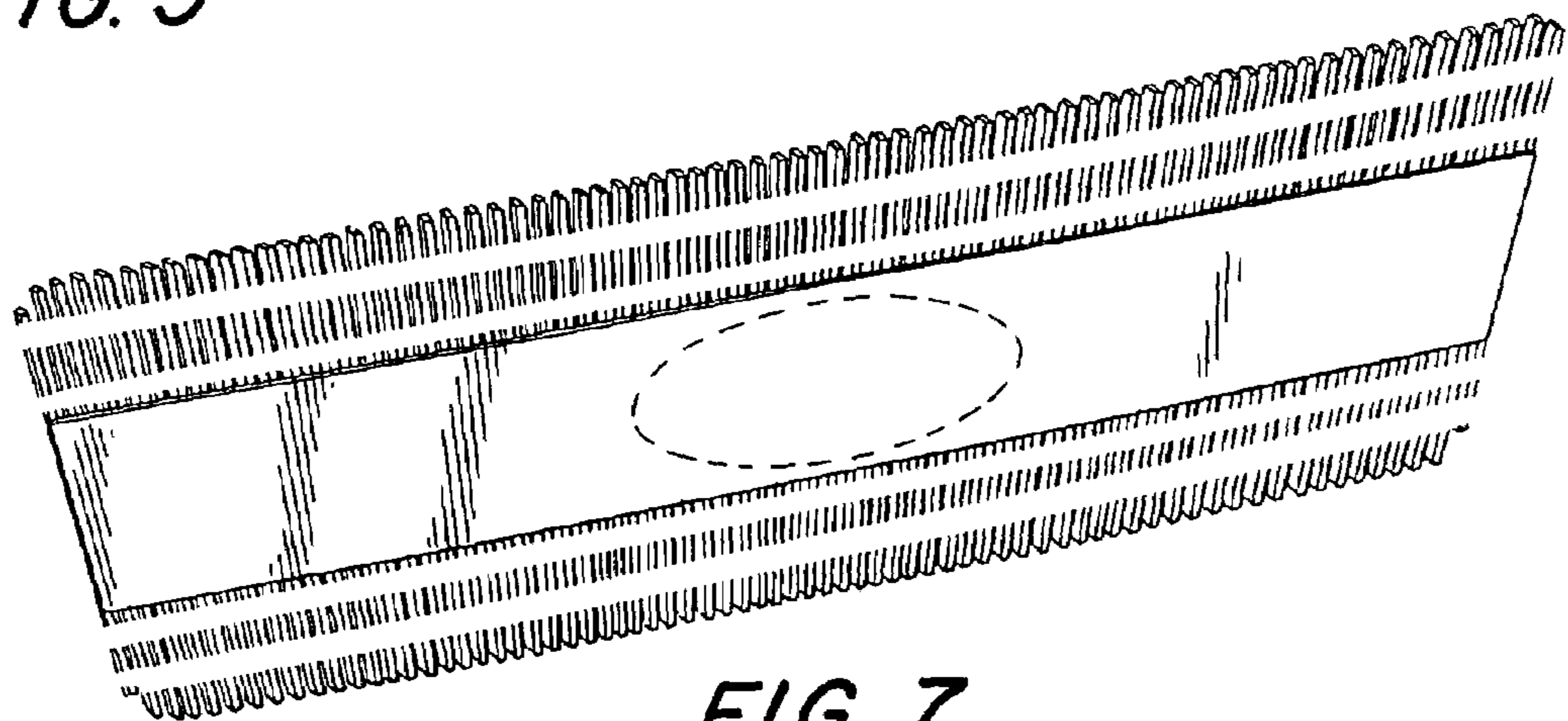


FIG. 7