



US00D558649S

(12) **United States Design Patent** (10) **Patent No.:** **US D558,649 S**  
**Smith** (45) **Date of Patent:** **\*\* Jan. 1, 2008**

(54) **FRONT CROSS-MEMBER ASSEMBLY FOR VEHICLES**

(76) Inventor: **Martin Smith**, 10978 Ayres Ave., Los Angeles, CA (US) 90064

(\*\*) Term: **14 Years**

(21) Appl. No.: **29/243,043**

(22) Filed: **Nov. 19, 2005**

(51) **LOC (8) Cl.** ..... **12-16**

(52) **U.S. Cl.** ..... **D12/159**

(58) **Field of Classification Search** ..... D12/159,  
D12/160; 280/124.109, 788, 795, 796, 797,  
280/798; 296/204

See application file for complete search history.

(56) **References Cited**

**U.S. PATENT DOCUMENTS**

4,271,920	A	6/1981	Barthelemy	
4,639,006	A	1/1987	Aikawa	
4,768,374	A	9/1988	Fouchey	
4,826,203	A *	5/1989	Kijima et al. ....	280/124.109
5,004,257	A	4/1991	MacIsaac	
5,133,314	A	7/1992	Langstroth	
5,310,200	A	5/1994	MacIsaac	
6,098,870	A *	8/2000	Deneve et al. ....	228/182
6,120,060	A	9/2000	Kocer	
6,158,556	A	12/2000	Swierczewski	
6,224,046	B1 *	5/2001	Miyamoto	267/281
D478,847	S *	8/2003	Ratto	D12/114
7,143,861	B2 *	12/2006	Chu	180/346
2003/0160415	A1 *	8/2003	Kim	280/124.109
2004/0140659	A1 *	7/2004	Kato et al.	280/785
2006/0049603	A1 *	3/2006	Katagiri et al.	280/124.109
2006/0244232	A1 *	11/2006	Cortez et al.	280/124.116
2007/0024044	A1 *	2/2007	Ogawa et al.	280/788

**FOREIGN PATENT DOCUMENTS**

EP 316285 A1 \* 5/1989

**OTHER PUBLICATIONS**

VOLKSWORLD; "Top-chopping Spree." Sep. 2003; 1 page printed from www.socalook.com.

Smith, M & www.SOCALOOK.com; 17 page Website printout from [http://web.archive.org/web/20030414085507/http://www.socalook.com/2/12/2005\\_7:57:29\\_AM](http://web.archive.org/web/20030414085507/http://www.socalook.com/2/12/2005_7:57:29_AM); 1st publ. at least Apr. 14, 2003.

Smith, M & www.SOCALOOK.com; 11-pg printout from website on Nov. 14, 2004 ; 5-pg printout from website on Mar. 20, 2005; 1st publication at least Apr. 14, 2003.

(Continued)

*Primary Examiner*—Doris Clark

*Assistant Examiner*—Michael A. Pratt

(74) *Attorney, Agent, or Firm*—Law Ofc of David Hong

(57) **CLAIM**

The ornamental design for a front cross-member assembly for vehicles, as shown and described.

**DESCRIPTION**

FIG. 1 is a front perspective view of my new design for a front cross-member assembly for vehicles.

FIG. 2 is a top plan view of the front cross-member assembly for vehicles.

FIG. 3 is a front elevational view of the front cross-member assembly for vehicles.

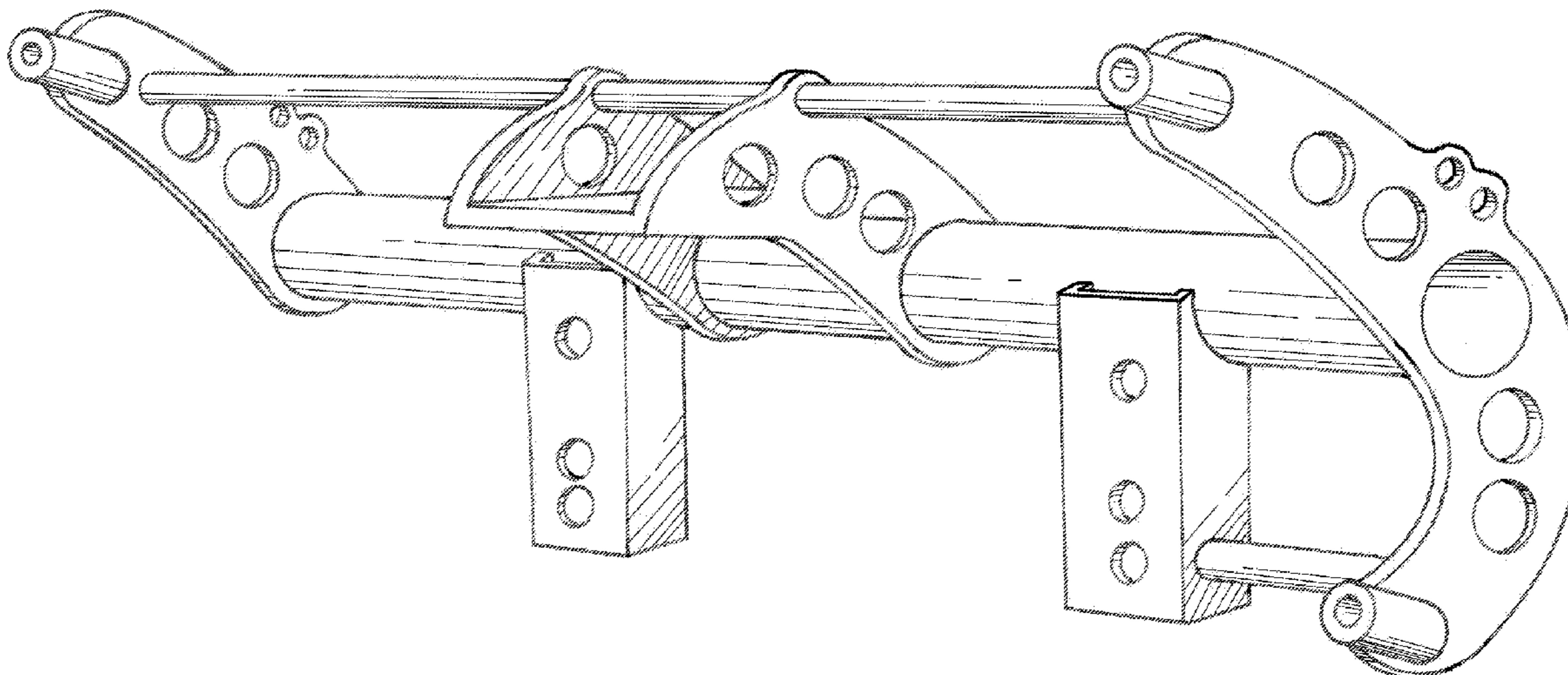
FIG. 4 is a right side view of the front cross-member assembly for vehicles.

FIG. 5 is a left side view of the front cross-member assembly for vehicles.

FIG. 6 is a bottom plan view of the front cross-member assembly for vehicles; and,

FIG. 7 is a rear elevational view of the front cross-member assembly for vehicles.

**1 Claim, 3 Drawing Sheets**



OTHER PUBLICATIONS

www.PRESSKOGYO.CO.JP; "Front Suspension Cross Member Assembly." 1 page printout from web site on Nov. 15, 2005; unknown date of first publication.

www.HAWKCARS.CO.UK, "MGB Suspension Upgrade," 1 page printout from web site on Nov. 15, 2005; unknown first publication date.

Kuvin, B. and www.METALFORMINGMAGAZINE.com, "Muscle-Car Metalforming at ThyssenKrupp Budd." 5 pages; Apr. 2005.

Centre Limited; 3 page printout from www.connectstores.com/lr/sp\_2675.html on Nov. 15, 2005; unknown first publication date.

CJPONYPARTS.COM, "1965 Mustang Cammer Fastback," 9 pages printed from www.cjponyparts.com on Nov. 15, 2005; unknown first publication date.

Thyssenkrupp Budd Company; "Beeline Online." Aug. 2004; 5 page PDF.

Borla Performance Industries; "Borla Performance Cat-Back TM Exhaust System" PDF; 5 pages; Sep. 16, 2003.

www.XSE.com, "SS #670 Modifications: Adjustable Torque Arm." Web site printout of 5 pages on Nov. 15, 2005; unknown first publication date.

www.SKDAUTOMOTIVE.com web site printout (1 page) of "Chassis Components" on Nov. 15, 2005; unknown date of first publication.

Smith, M., "Order Form—SOCALOOK." Internet Printout from www.SOCALOOK.com, publ. at least as early as Jun. 2003 (1 page).

\* cited by examiner

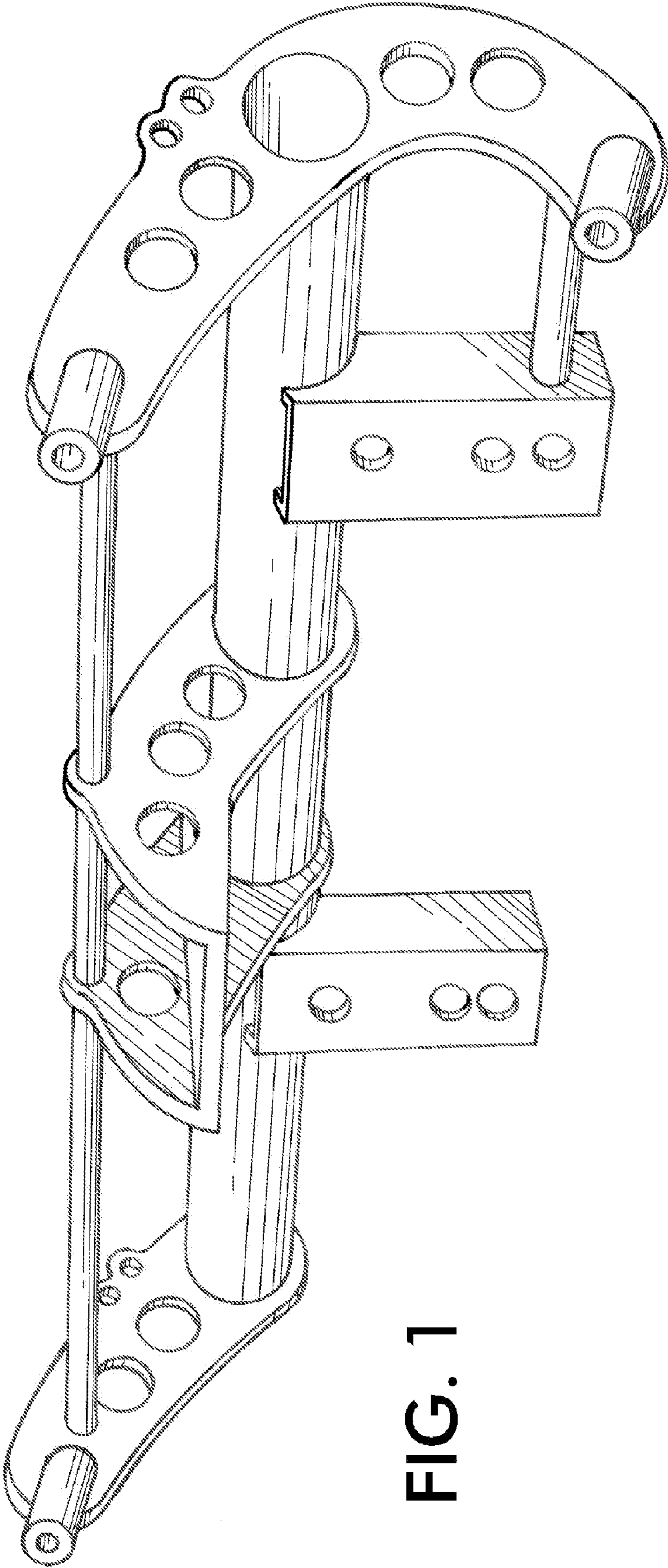


FIG. 1

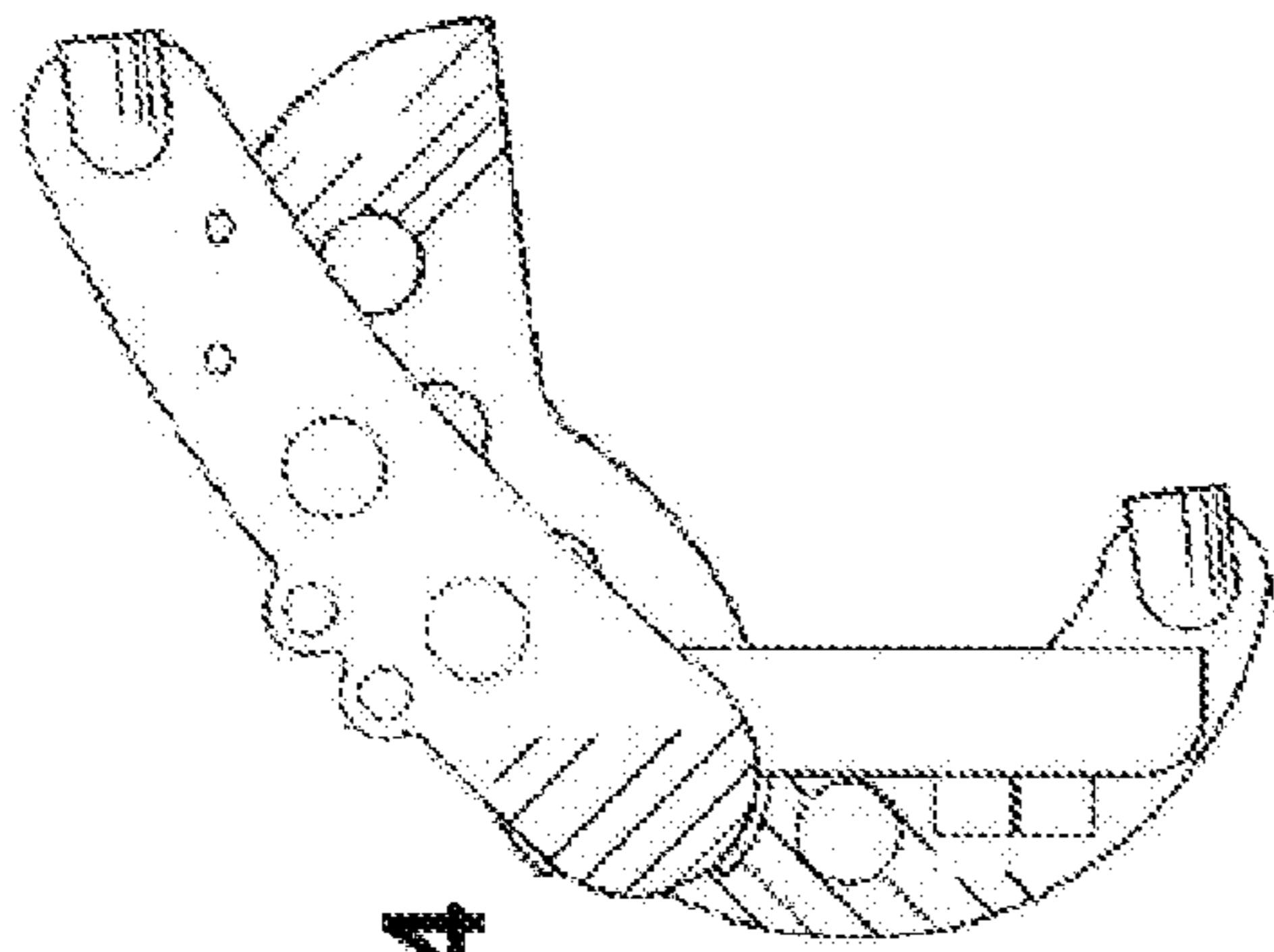


FIG. 4

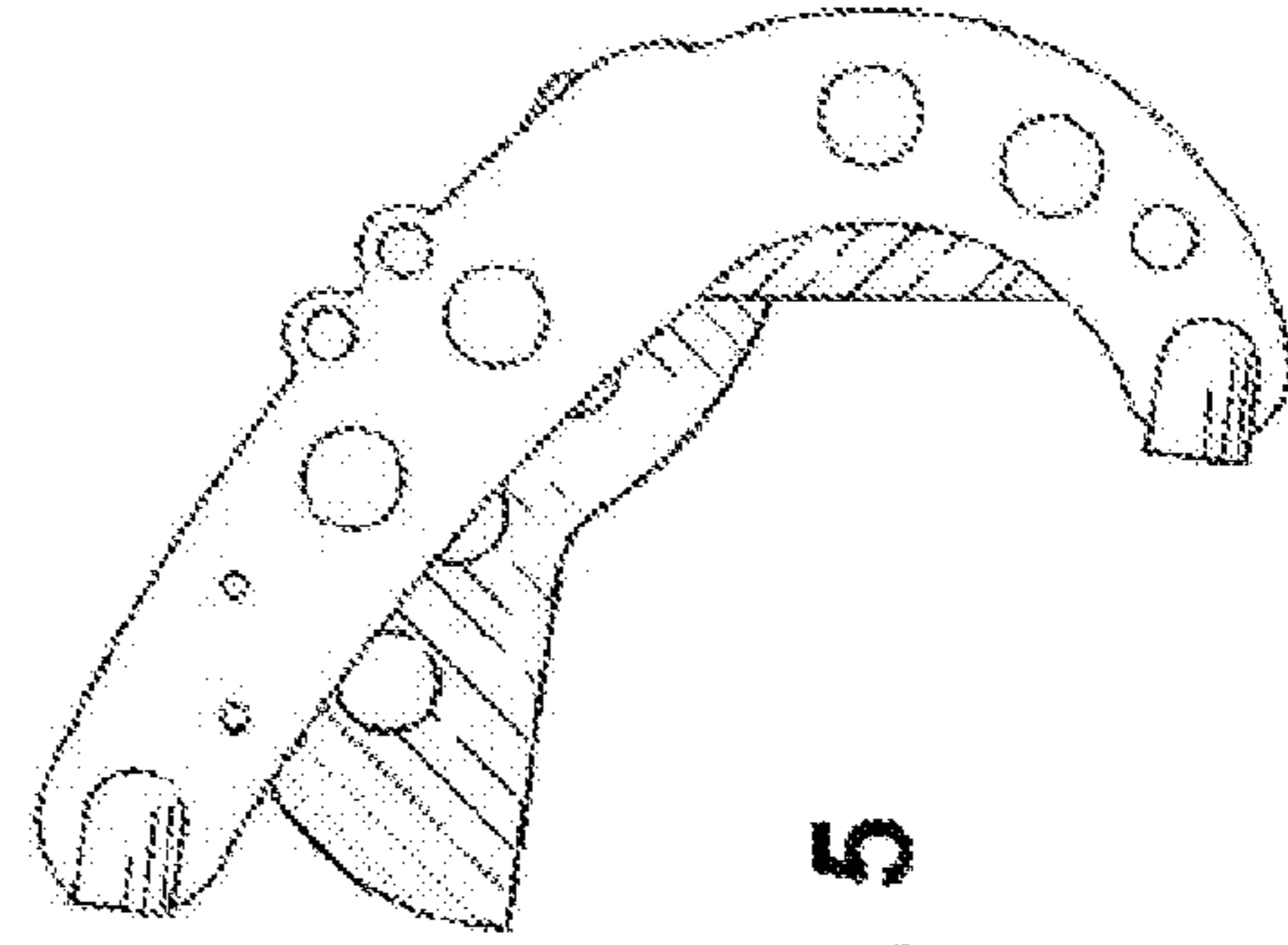


FIG. 5

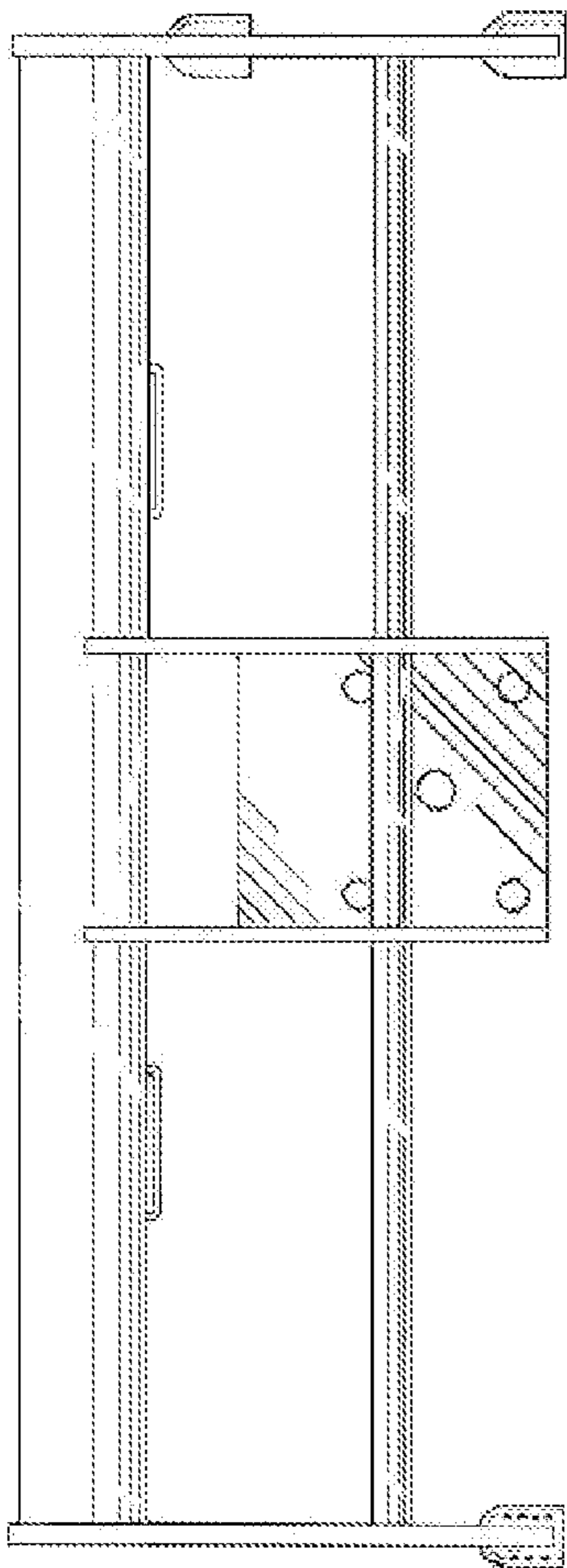


FIG. 2

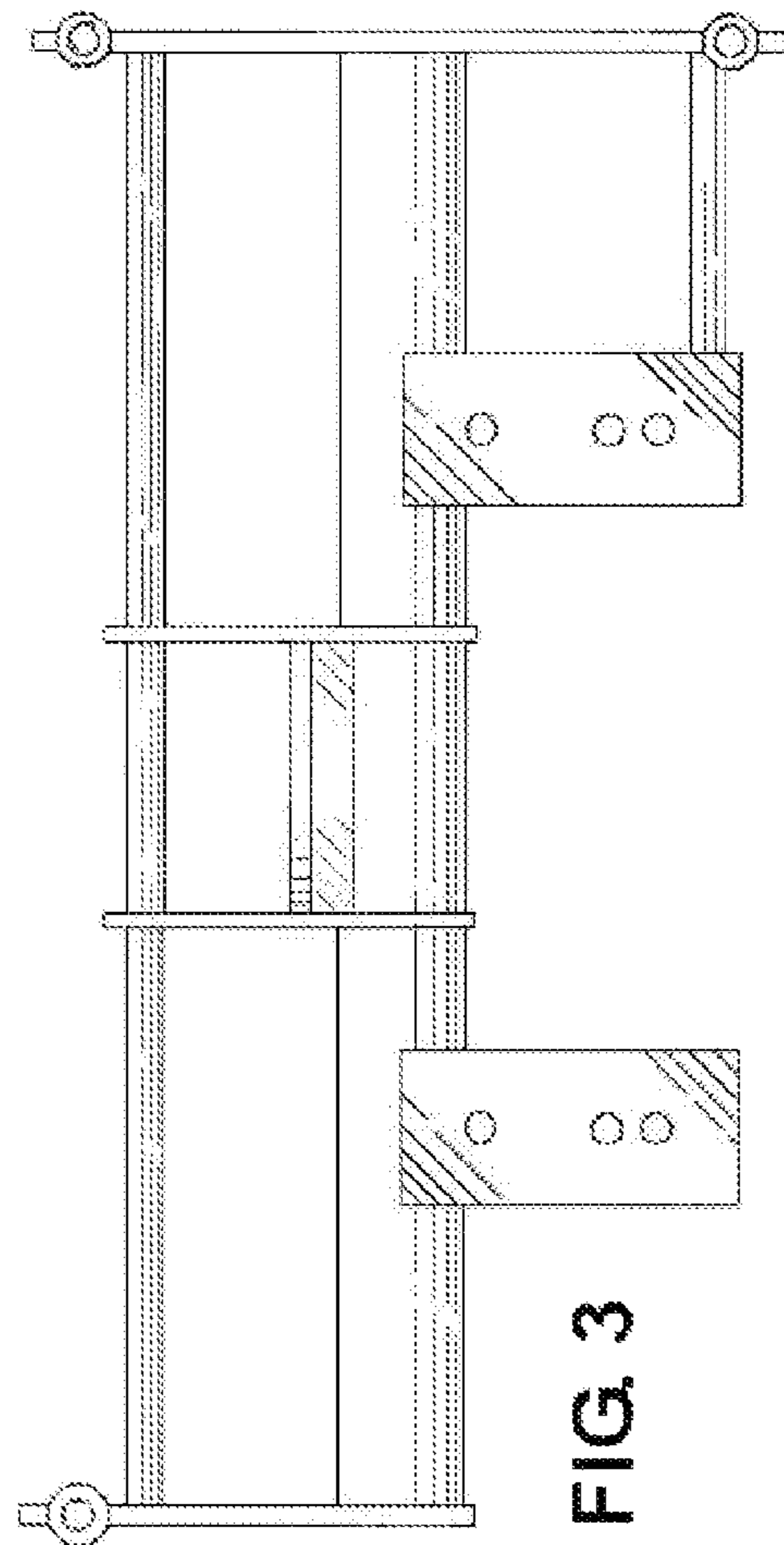
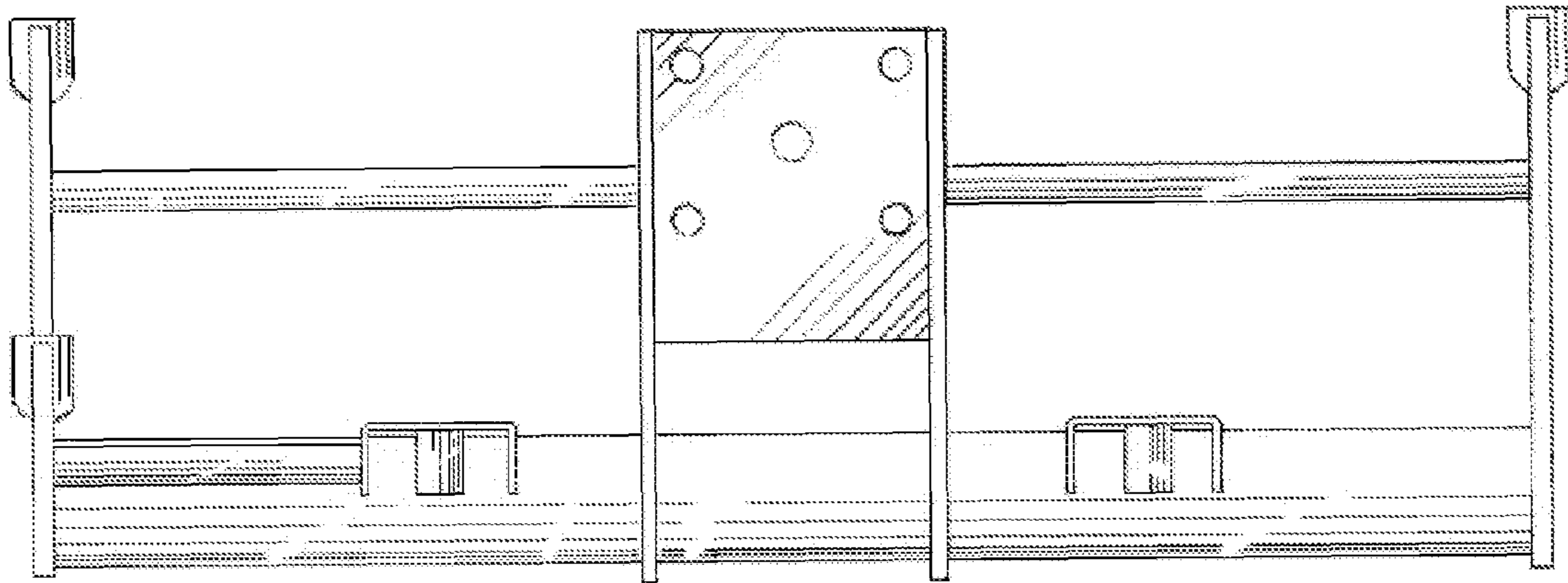
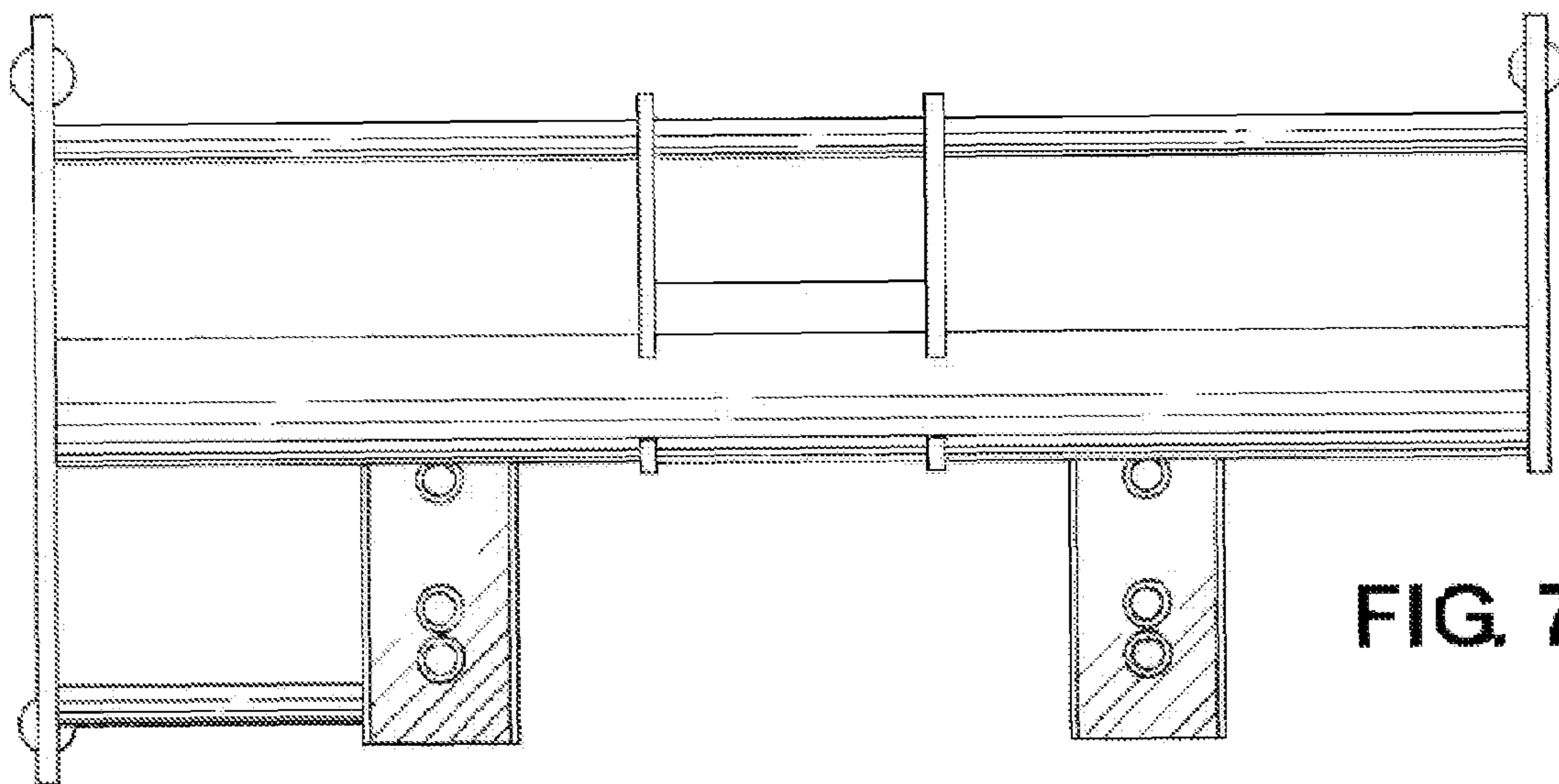


FIG. 3



**FIG. 6**



**FIG. 7**