



US00D558646S

(12) **United States Design Patent**  
**Sheppard**

(10) **Patent No.:** **US D558,646 S**

(45) **Date of Patent:** **\*\* Jan. 1, 2008**

(54) **BICYCLE**

D466,055 S \* 11/2002 Masui et al. .... D12/111

(76) Inventor: **Andrew Sheppard**, Eclair Gaien-Nishi  
1001, 31-22, Daikyo-cho, Shinjuku-ku,  
Tokyo (JP)

\* cited by examiner

*Primary Examiner*—Cathron Brooks

*Assistant Examiner*—Linda Brooks

(74) *Attorney, Agent, or Firm*—Christopher & Weisberg,  
P.A.

(\*\*) Term: **14 Years**

(21) Appl. No.: **29/263,456**

(57) **CLAIM**

(22) Filed: **Jul. 24, 2006**

The ornamental design for a bicycle, as shown and described.

(30) **Foreign Application Priority Data**

**DESCRIPTION**

Jan. 25, 2006 (JP) ..... 2006-001489

FIG. 1 is a front view of a bicycle;

(51) **LOC (8) Cl.** ..... **12-11**

FIG. 2 is a rear view thereof;

(52) **U.S. Cl.** ..... **D12/111**

FIG. 3 is a top view thereof;

(58) **Field of Classification Search** ..... D12/111;

FIG. 4 is a right-side view thereof;

280/274–280, 281.1, 283–288, 288.1–288.3

FIG. 5 is a left-side view thereof; and,

See application file for complete search history.

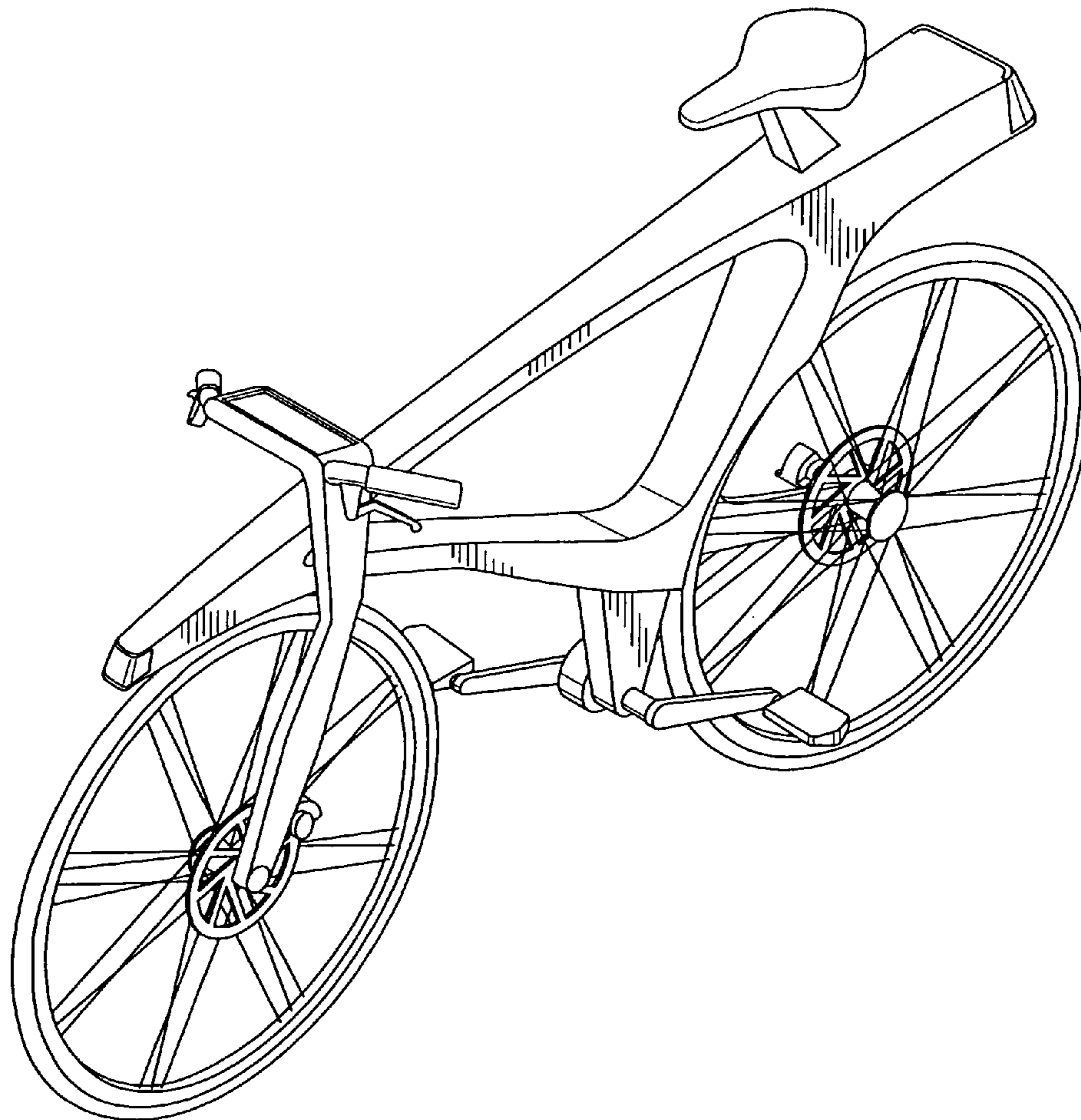
FIG. 6 is a perspective view thereof looking from the upper right-side direction.

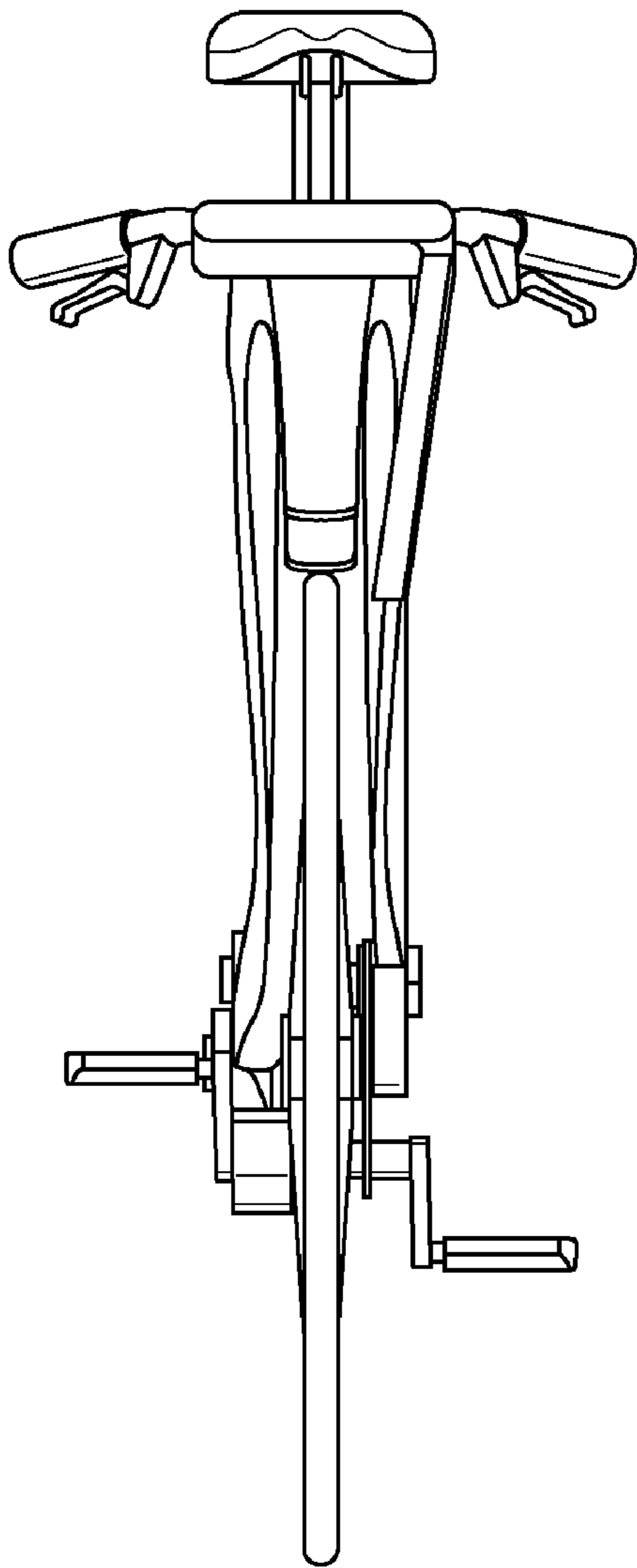
(56) **References Cited**

**U.S. PATENT DOCUMENTS**

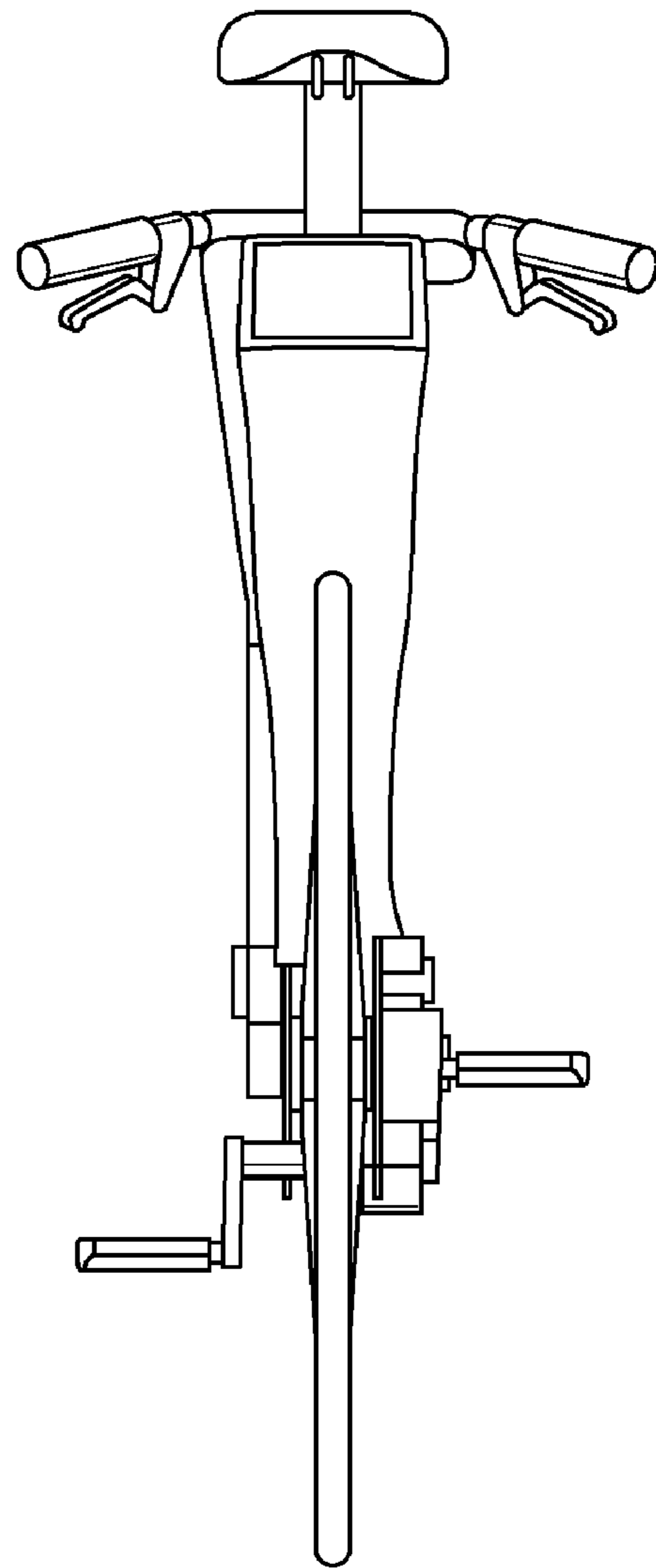
D343,600 S \* 1/1994 Moore ..... D12/111

**1 Claim, 5 Drawing Sheets**

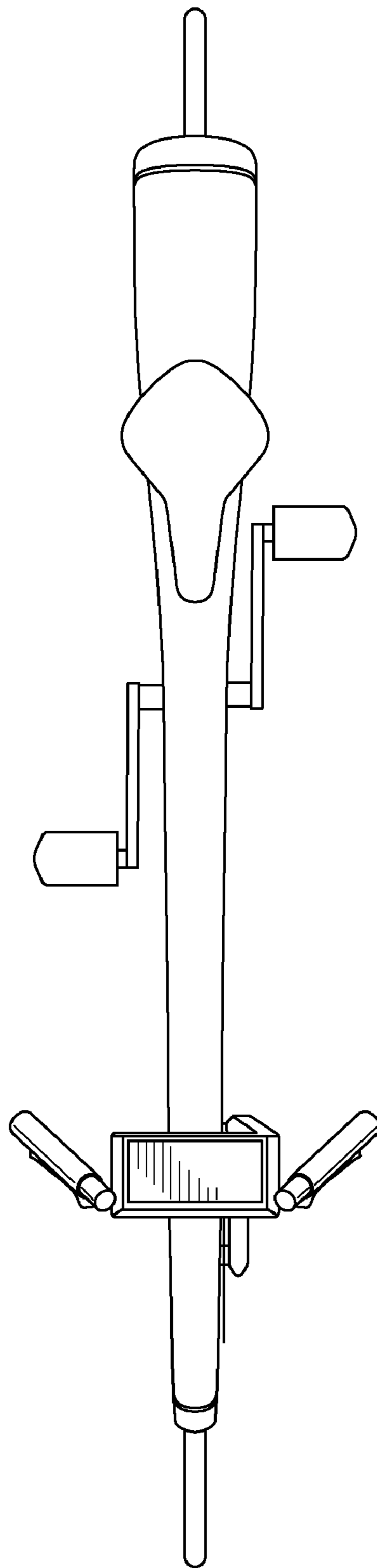




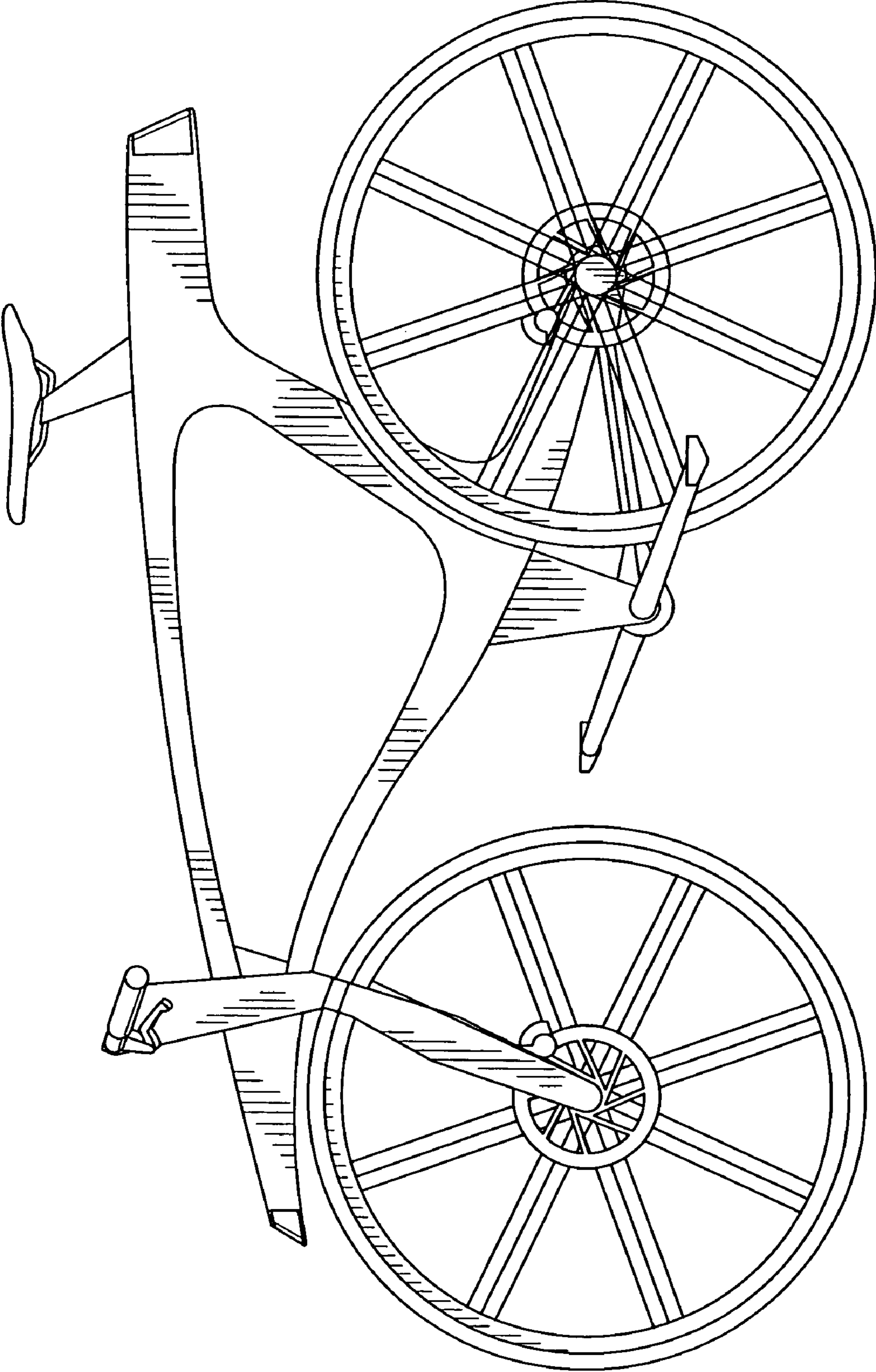
***FIG. 1***



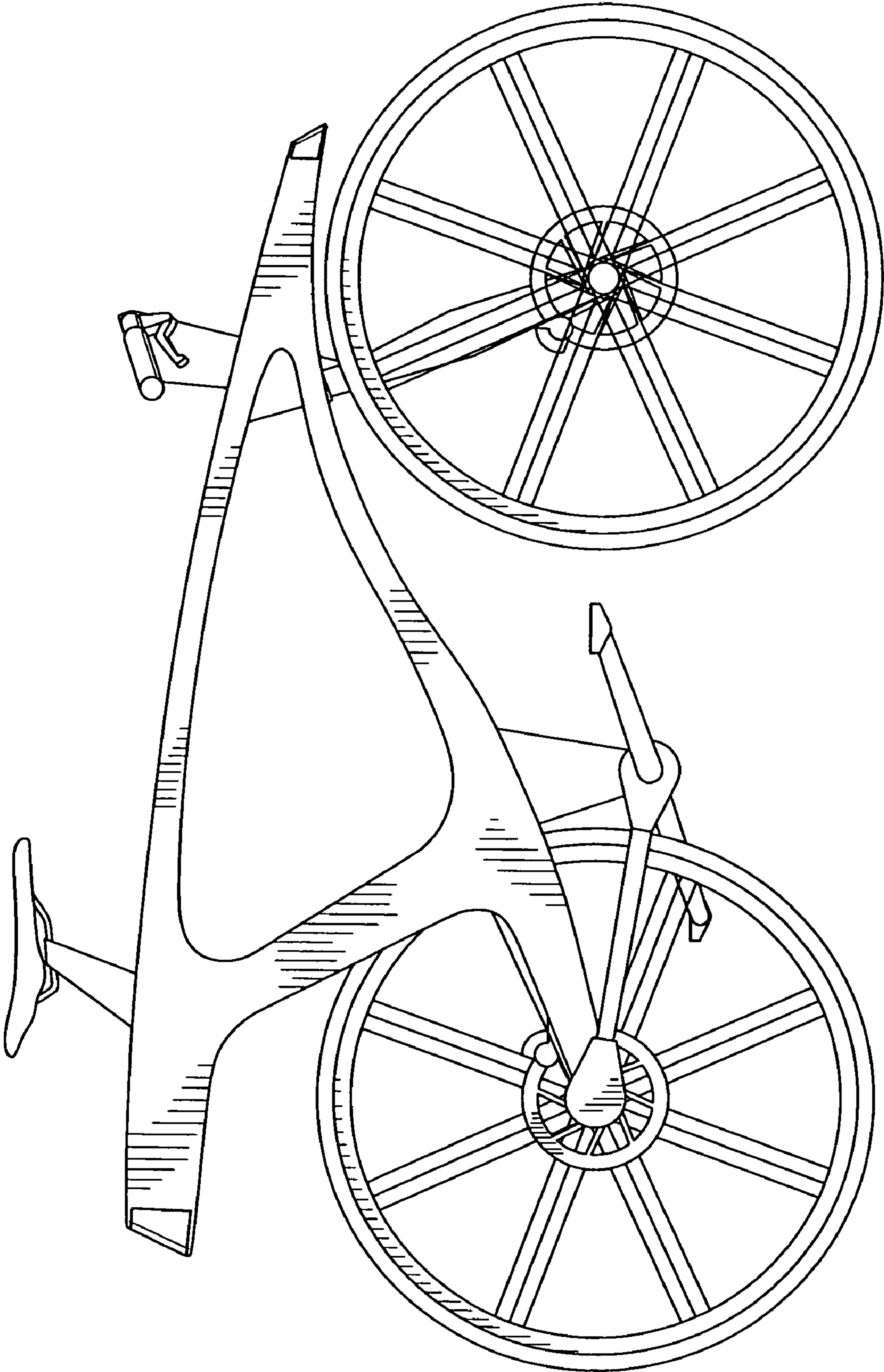
***FIG. 2***



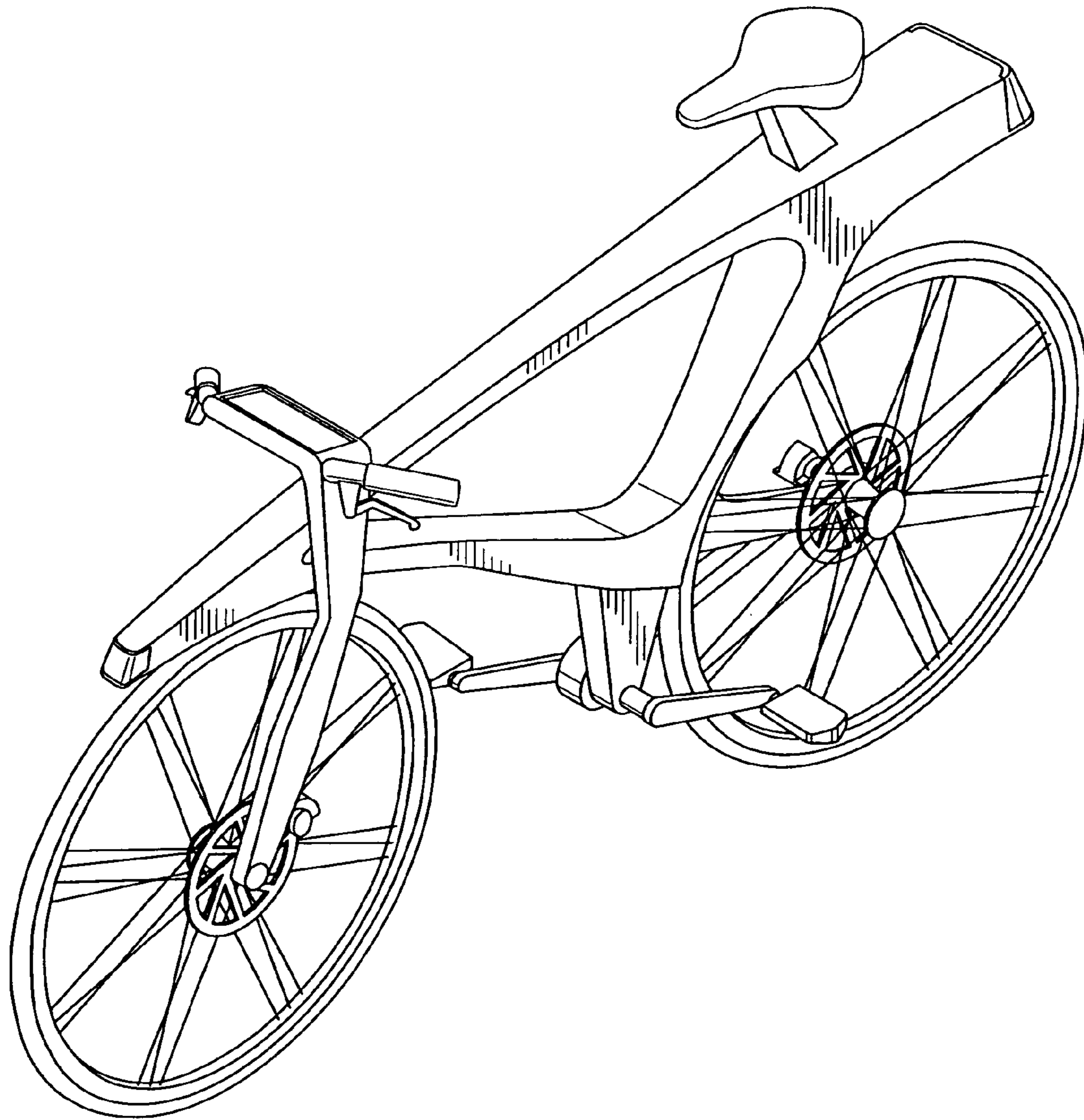
**FIG. 3**



**FIG. 4**



**FIG. 5**



**FIG. 6**