



US00D558645S

(12) **United States Design Patent**
Camasmie

(10) **Patent No.:** **US D558,645 S**

(45) **Date of Patent:** **** Jan. 1, 2008**

(54) **FRAME FOR A TWO-WHEEL RECUMBENT CYCLE**

6,932,370 B2 * 8/2005 Jones et al. 280/282

(75) Inventor: **Paulo Camasmie**, Windermere, FL (US)

* cited by examiner

Primary Examiner—Cathron C. Brooks

Assistant Examiner—Linda Brooks

(73) Assignee: **Big Cat Human Powered Vehicles, LLC**, Winter Garden, FL (US)

(74) *Attorney, Agent, or Firm*—GrayRobinson, PA

(**) Term: **14 Years**

(57) **CLAIM**

(21) Appl. No.: **29/249,677**

The ornamental design for a frame for a two-wheel recumbent cycle, as shown and described.

(22) Filed: **Oct. 17, 2006**

DESCRIPTION

(51) **LOC (8) Cl.** **12-11**

FIG. 1 is a perspective view of my ornamental design of a frame for a two-wheel recumbent cycle;

(52) **U.S. Cl.** **D12/111**

FIG. 2 is a top, plan view thereof;

(58) **Field of Classification Search** D12/111,

FIG. 3 is a side view thereof;

D12/112; 280/259–261, 282, 263, 266–269,

FIG. 4 is a front view thereof;

280/288.1–288.3, 281.1, 274–280, 283–288

FIG. 5 is a bottom, plan view thereof; and,

See application file for complete search history.

FIG. 6 is a rear view thereof.

(56) **References Cited**

The broken lines in the drawing are for the purpose of showing environment and form no part of the claimed design.

U.S. PATENT DOCUMENTS

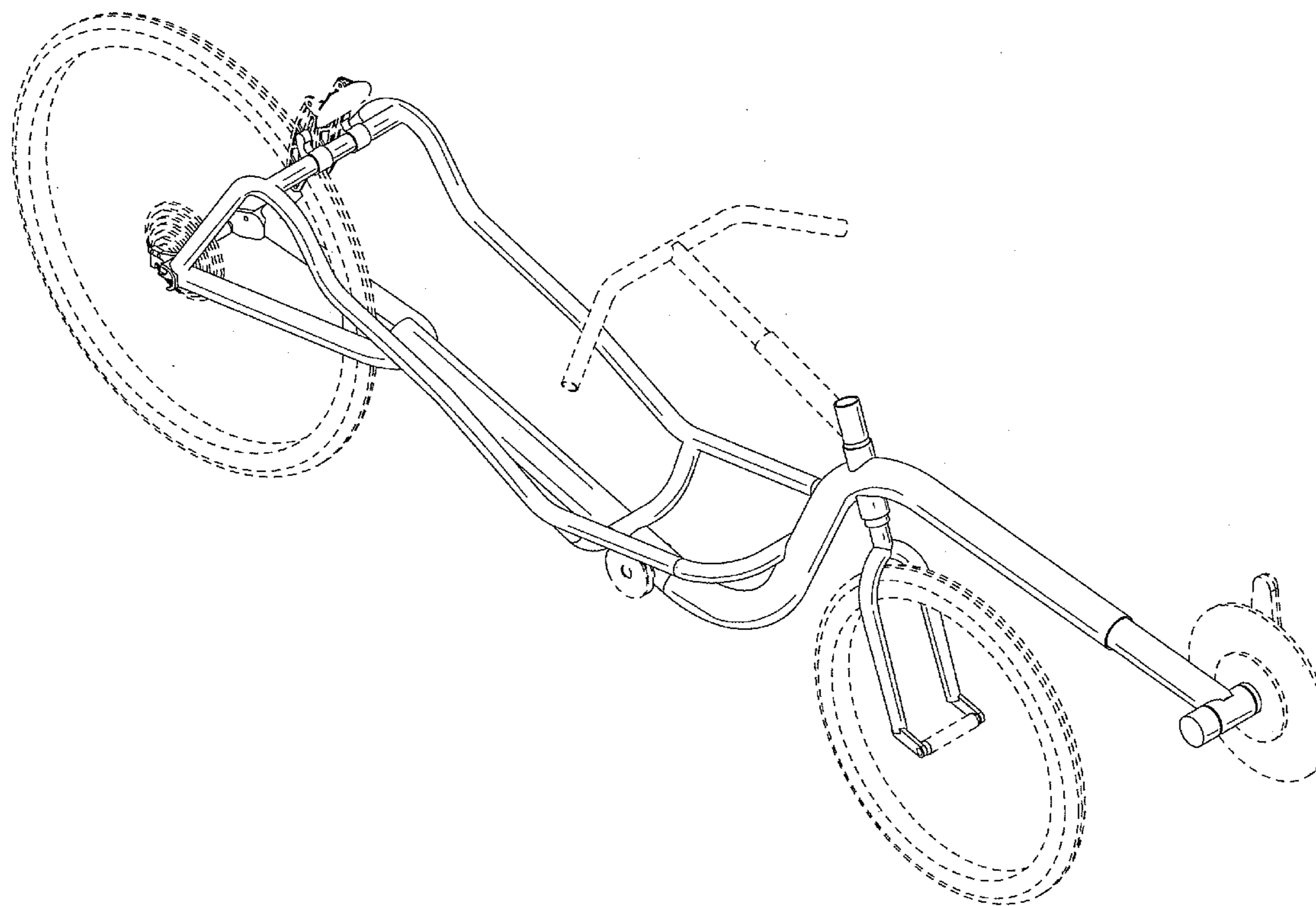
D290,451 S * 6/1987 Engum D12/112

D293,660 S * 1/1988 Foehner D12/111

5,544,906 A * 8/1996 Clapper 280/288.1

D385,829 S * 11/1997 Quick D12/111

1 Claim, 5 Drawing Sheets



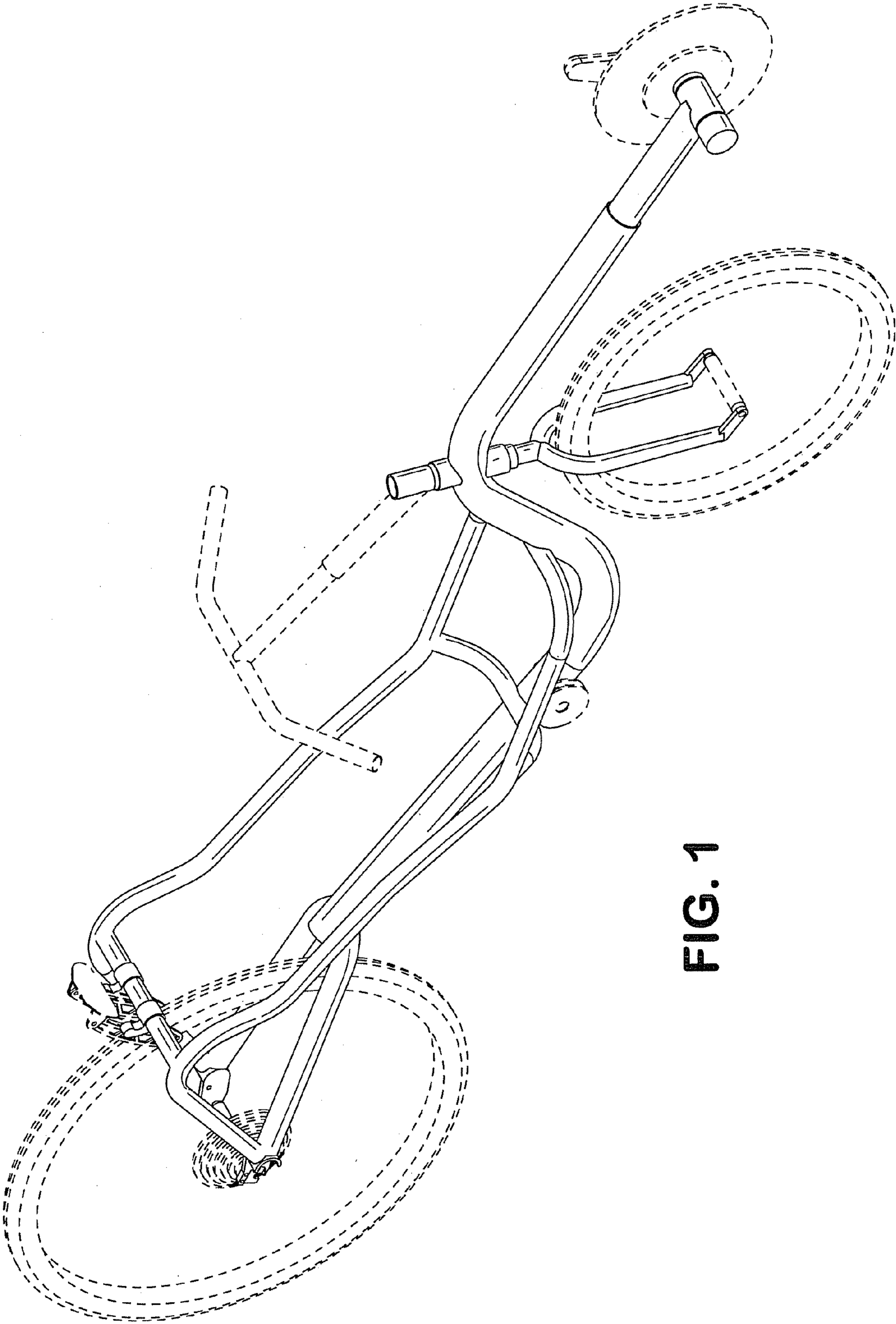


FIG. 1

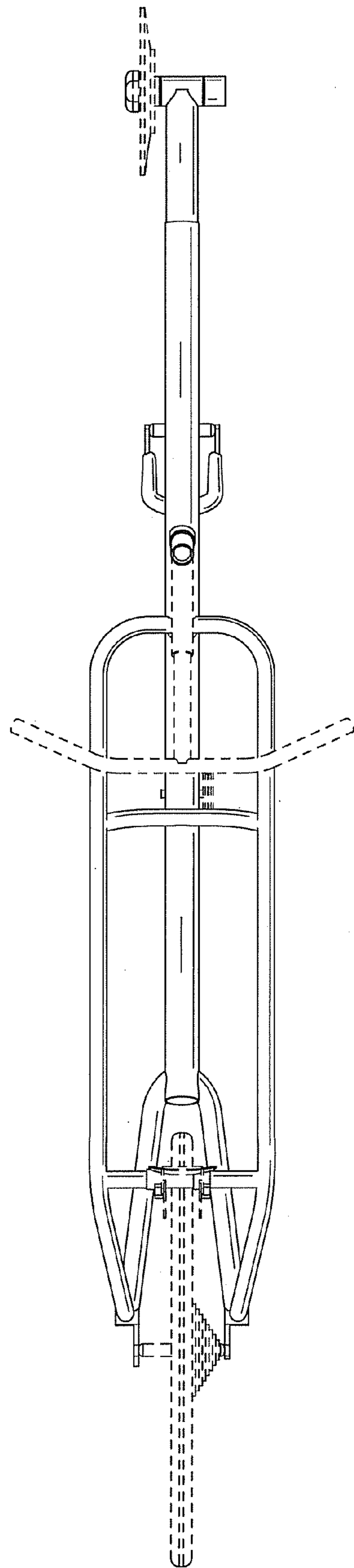


FIG. 2

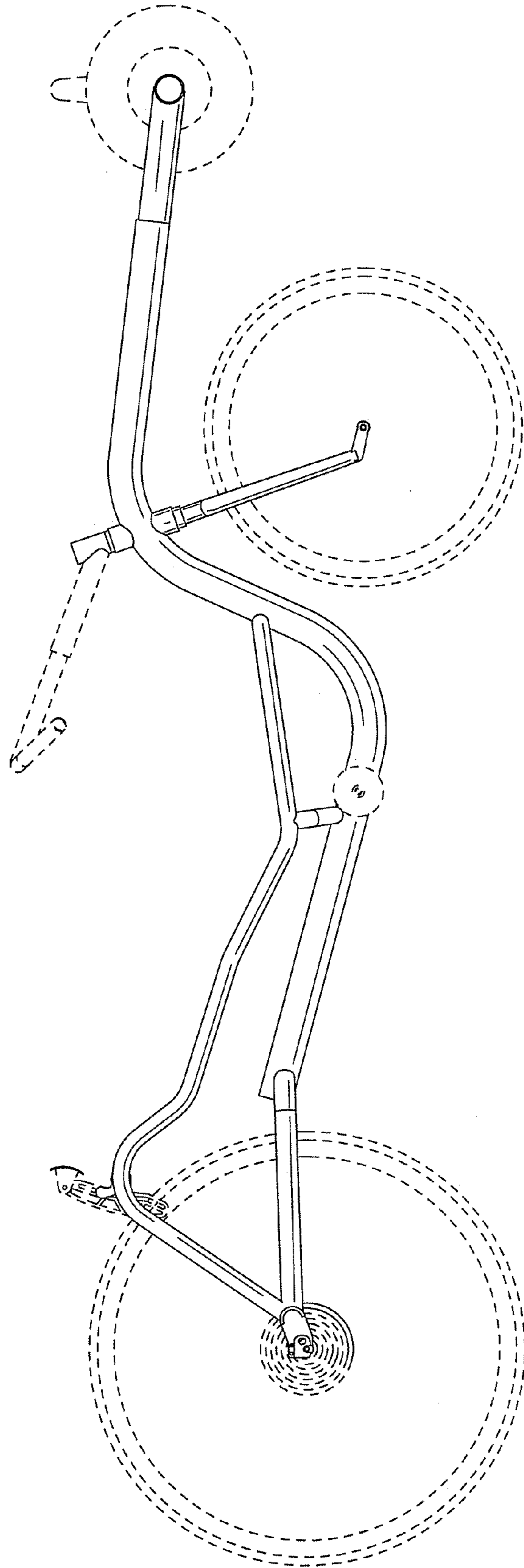


FIG. 3

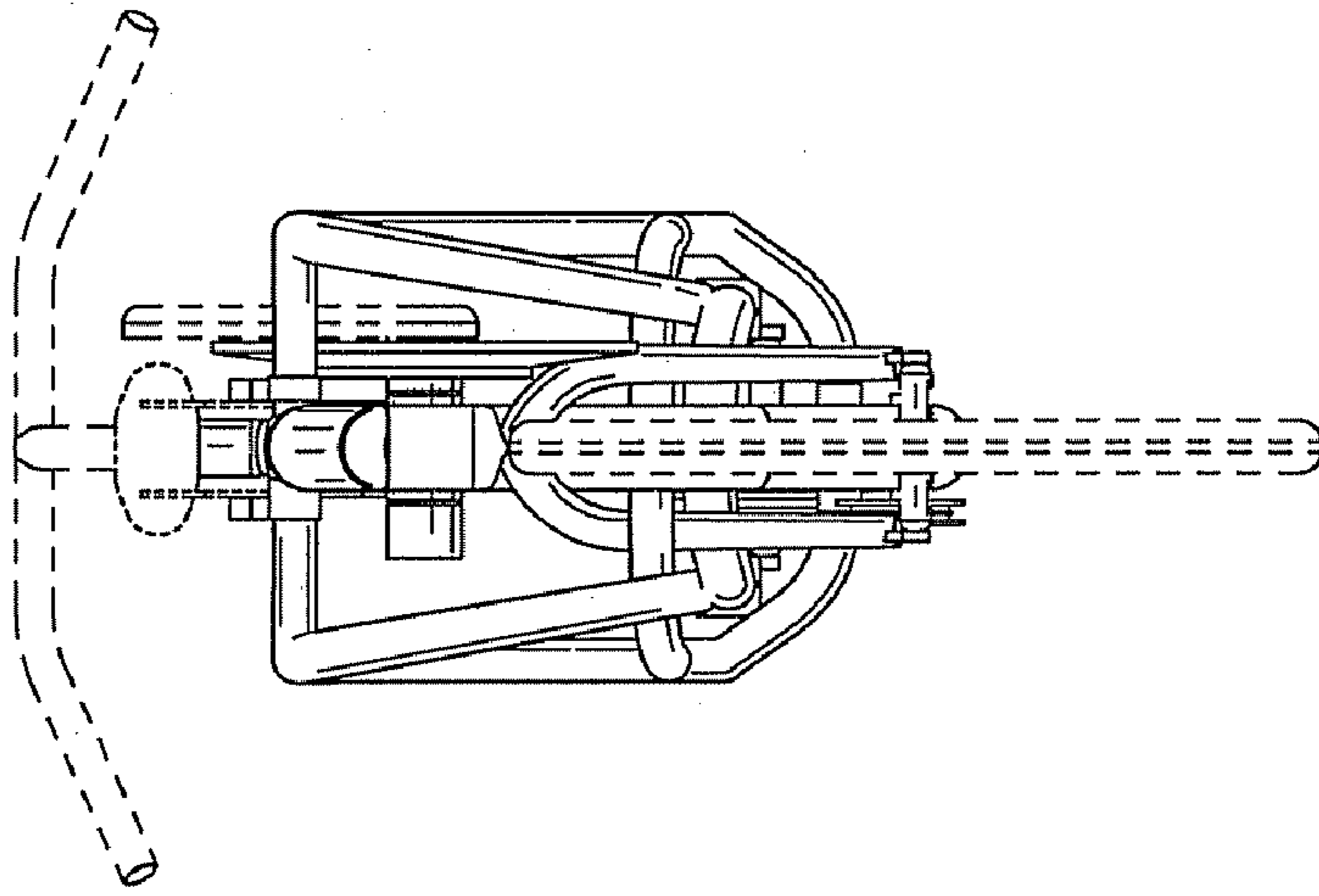


FIG. 6

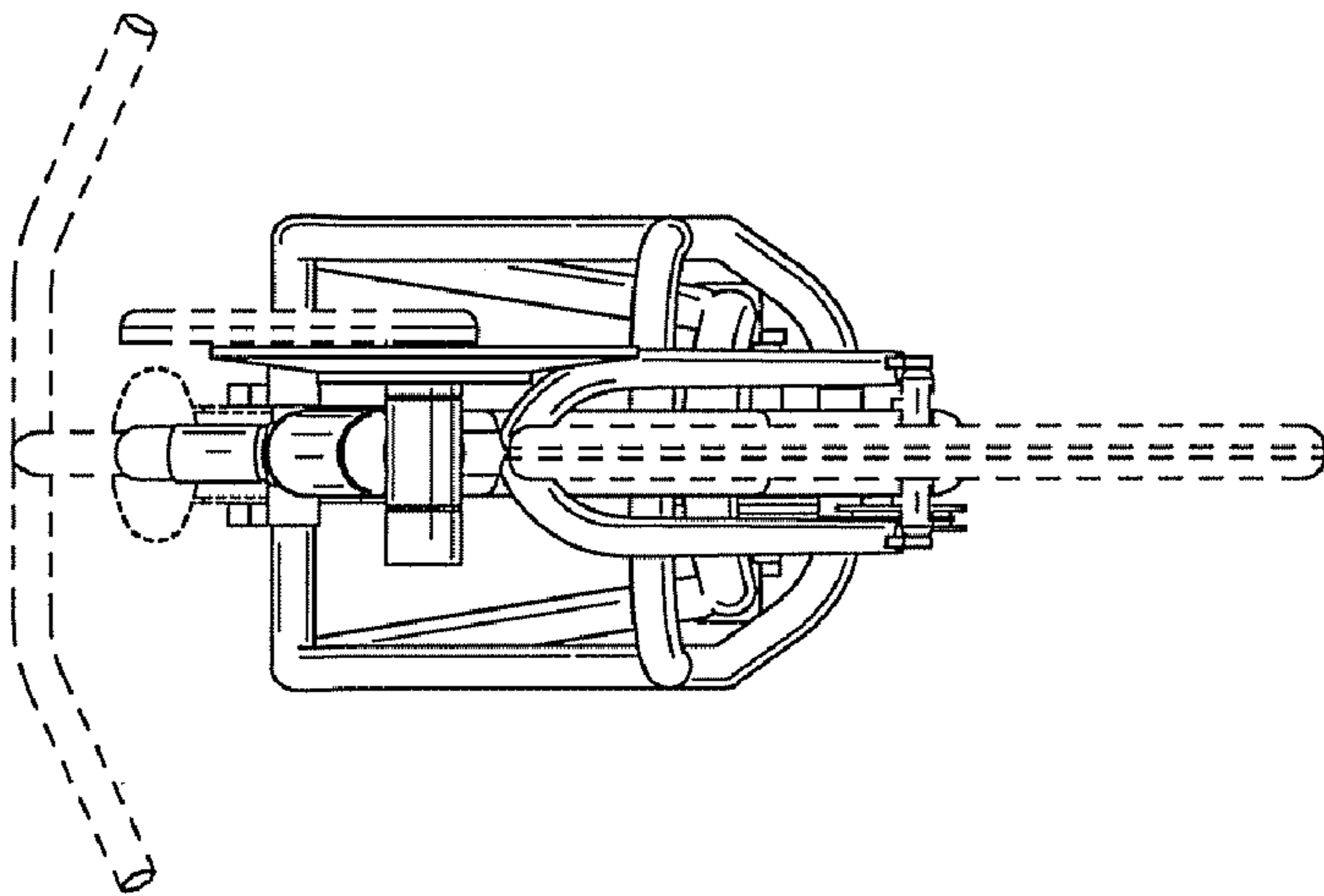


FIG. 4

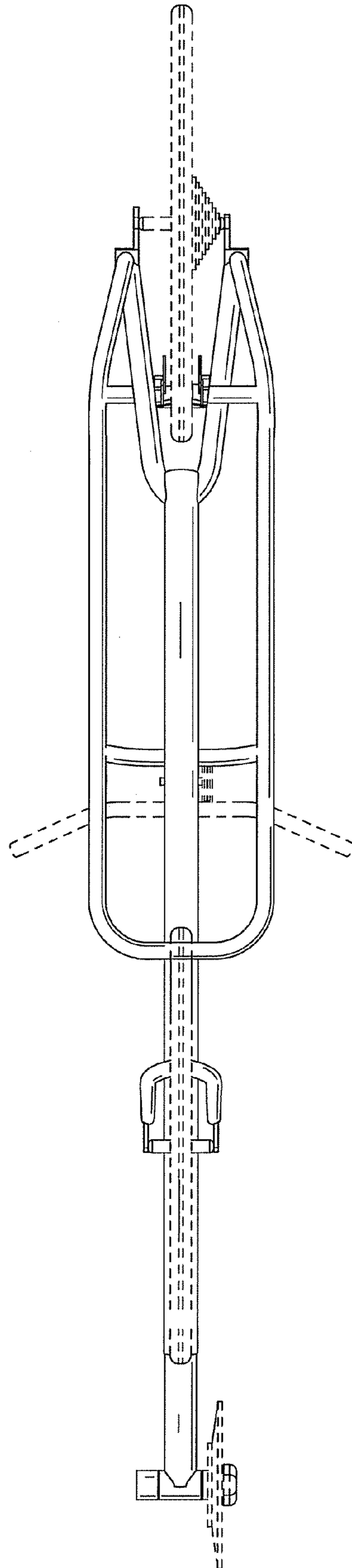


FIG. 5