



US00D558644S

(12) **United States Design Patent**
Blankenship

(10) **Patent No.:** **US D558,644 S**

(45) **Date of Patent:** **** Jan. 1, 2008**

(54) **BICYCLE**

(75) **Inventor:** **Franklin L. Blankenship**, 2250 Ellison
Lakes Dr., Apartment #814, Kennesaw,
GA (US) 30152

(73) **Assignee:** **Franklin L. Blankenship**, Kennesaw,
GA (US)

(**) **Term:** **14 Years**

(21) **Appl. No.:** **29/248,239**

(22) **Filed:** **Aug. 4, 2006**

(51) **LOC (8) Cl.** **12-11**

(52) **U.S. Cl.** **D12/111**

(58) **Field of Classification Search** D12/110,
D12/111; 280/274-288, 288.1-288.3, 827,
280/828; 180/219, 220

See application file for complete search history.

(56) **References Cited**

U.S. PATENT DOCUMENTS

D281,615 S * 12/1985 Barbato et al. D21/432

D291,292 S * 8/1987 Smith et al. D12/111

D342,702 S * 12/1993 Camfield et al. D12/111

D499,360 S 12/2004 Blankenship

D508,663 S 8/2005 Blankenship et al.

D529,842 S * 10/2006 Lu D12/111

D529,843 S * 10/2006 Pizzi D12/111

* cited by examiner

Primary Examiner—Cathron C. Brooks

Assistant Examiner—Linda Brooks

(74) *Attorney, Agent, or Firm*—Pepper Hamilton LLP

(57) **CLAIM**

The ornamental design for a bicycle, as shown and described.

DESCRIPTION

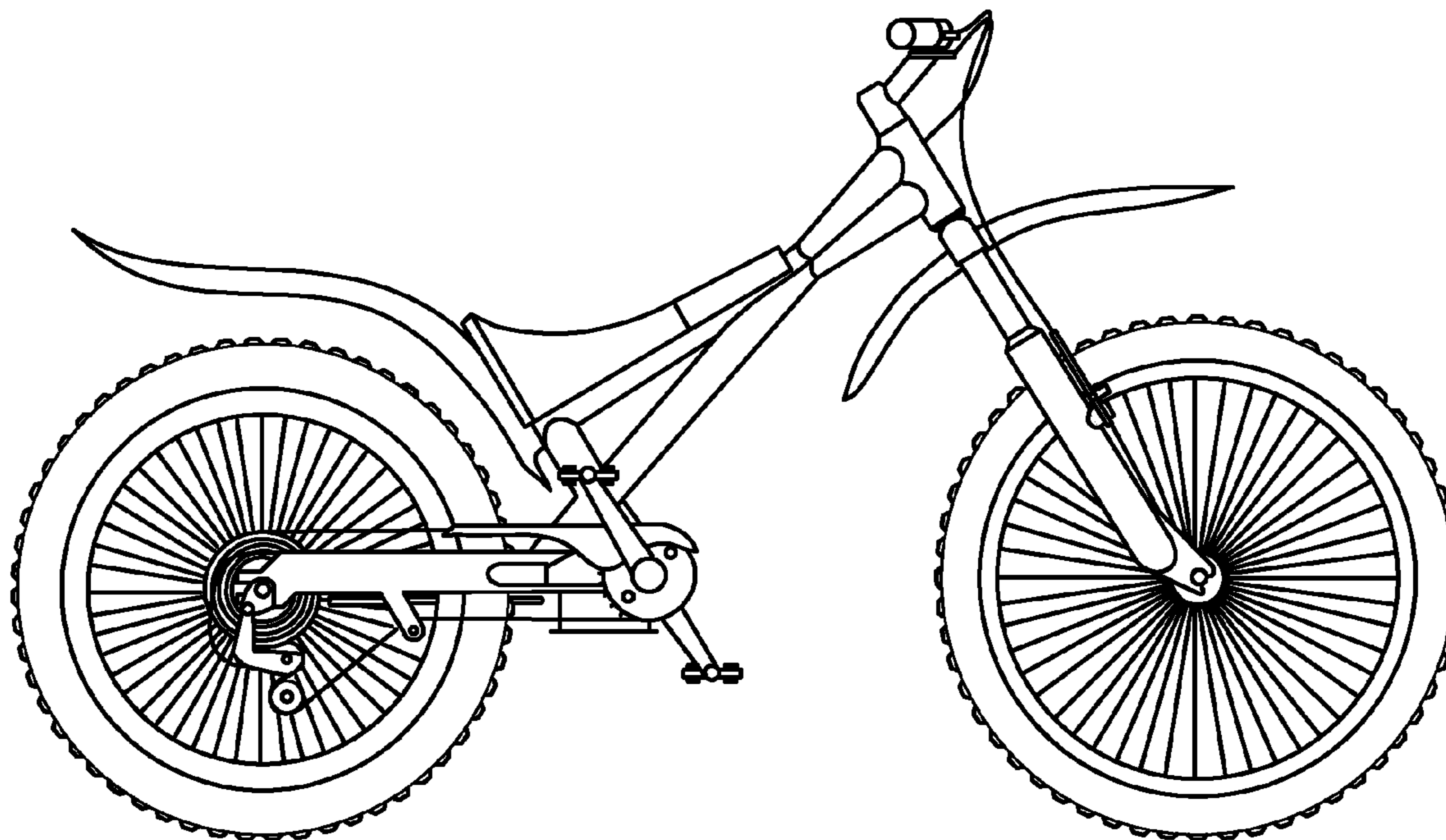
FIG. 1 is a front view of a bicycle.

FIG. 2 is a rear view of a bicycle.

FIG. 3 is a side view of a bicycle; and,

FIG. 4 is a top view of a bicycle.

1 Claim, 3 Drawing Sheets



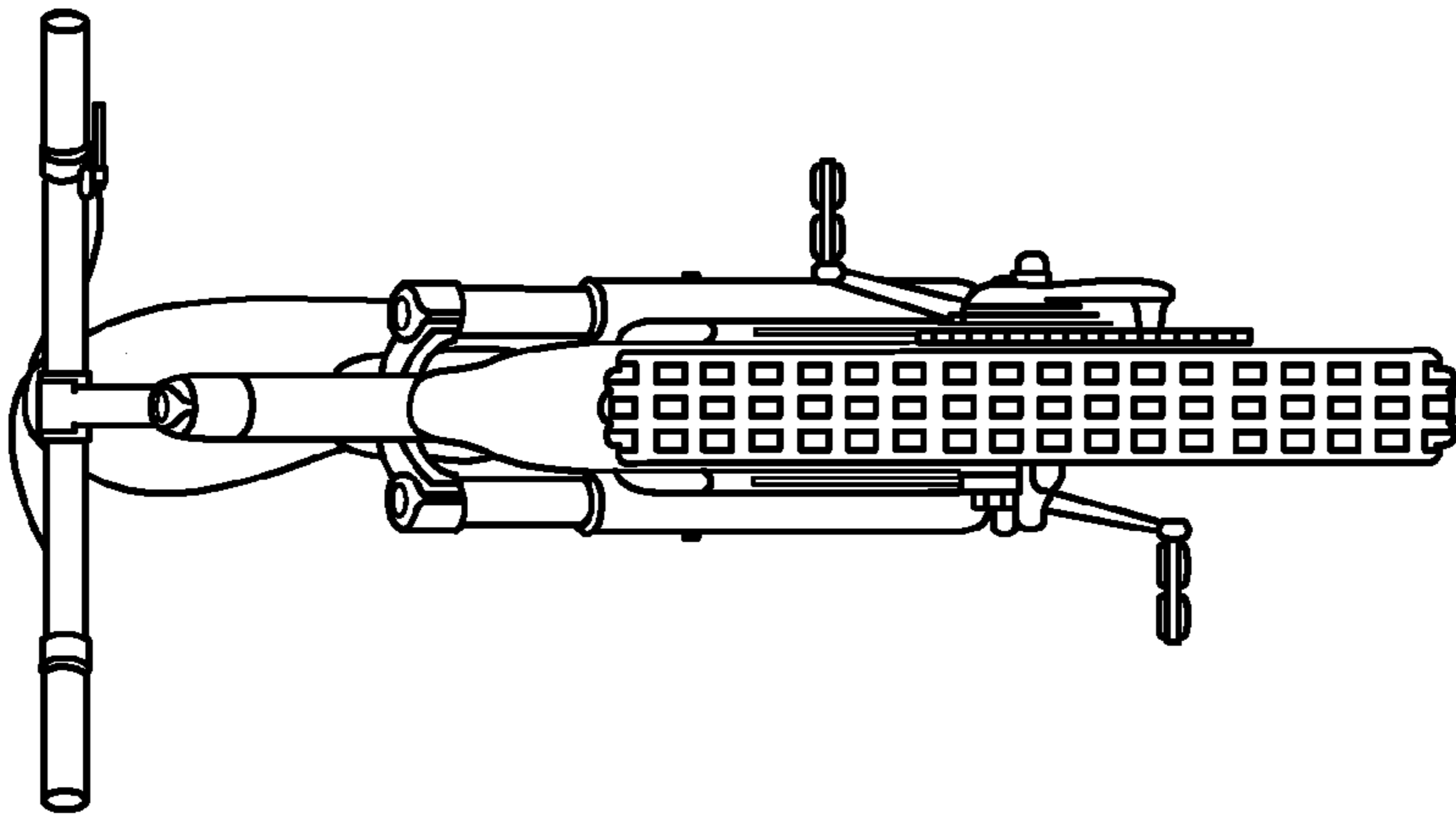


FIG. 1

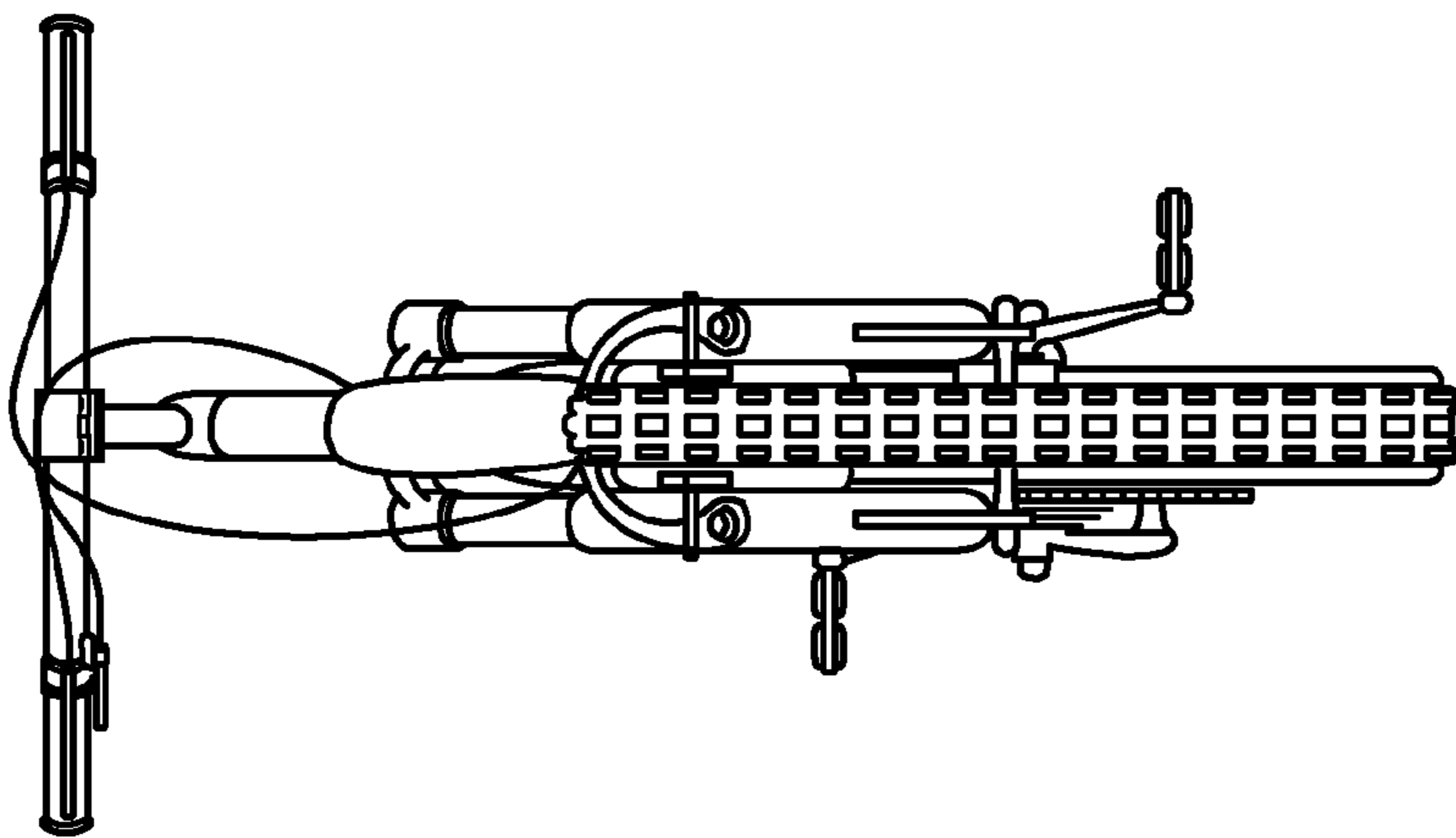


FIG. 2

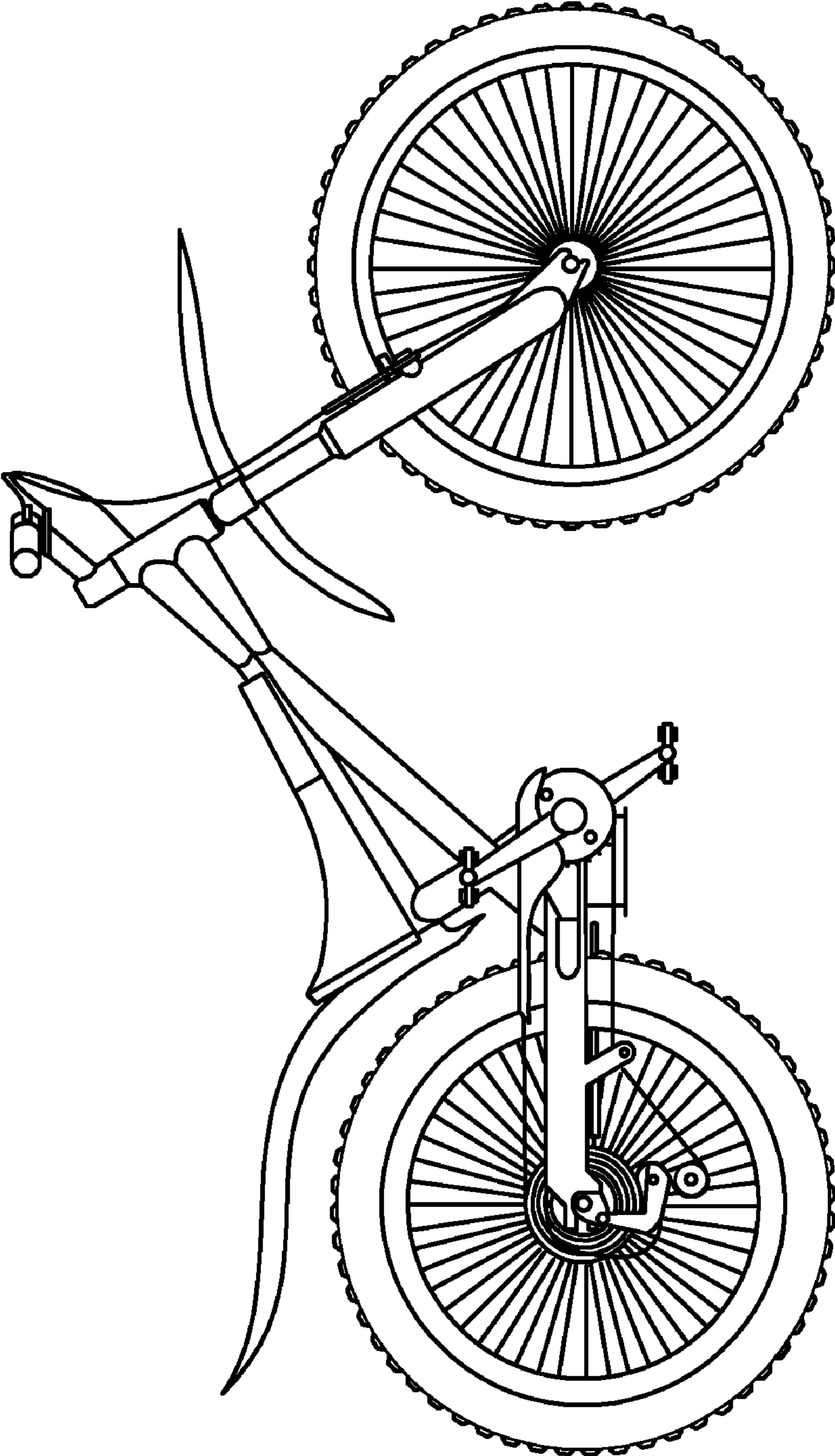


FIG. 3

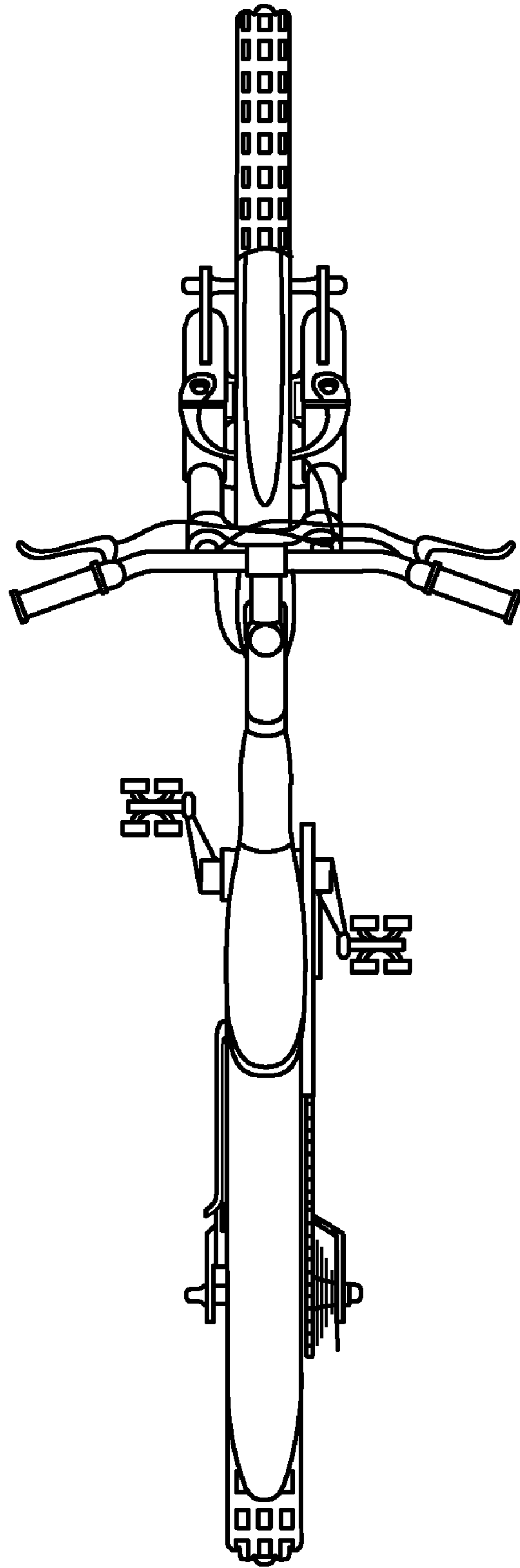


FIG. 4