



US00D558641S

(12) **United States Design Patent**
Hanson, Jr. et al.

(10) **Patent No.:** **US D558,641 S**
(45) **Date of Patent:** **** Jan. 1, 2008**

(54) **SWEATER BASKET FOR A GOLF CAR**

D498,772 S * 11/2004 Greene D15/28
D508,228 S * 8/2005 Brown D12/407
D514,981 S * 2/2006 Andrews et al. D12/16
D531,320 S * 10/2006 Garland et al. D24/216

(75) Inventors: **Donald S. Hanson, Jr.**, Augusta, GA (US); **John G. Herrick**, Evans, GA (US); **Bradley J. Hanson**, North Augusta, SC (US); **Kent H. Bruntz**, Evans, GA (US)

FOREIGN PATENT DOCUMENTS

WO 2004/067327 8/2004
WO 2004/067360 8/2004

(73) Assignee: **Textron Inc.**, Providence, RI (US)

* cited by examiner

(**) Term: **14 Years**

Primary Examiner—Catherine R. Oliver

Assistant Examiner—Anna K Dworzecka

(21) Appl. No.: **29/247,164**

(74) *Attorney, Agent, or Firm*—Harness, Dickey & Pierce P.L.C.

(22) Filed: **Jun. 2, 2006**

(51) **LOC (8) Cl.** **12-02**

(57) **CLAIM**

(52) **U.S. Cl.** **D12/16; D3/304; D12/406**

The ornamental design for a sweater basket for a golf car, as shown and described.

(58) **Field of Classification Search** D12/16, D12/420, 407, 406, 133, 7, 42, 317, 99, 106, D12/114, 410, 412, 415, 419, 424, 425, 426.1; D7/552.1, 553.5, 620, 706, 409, 542; 224/401, 224/412, 419-430, 42.11; D6/510, 436, D6/469, 407, 396, 475-6, 525; 229/162.1, 229/100, 122; D3/301-315, 276, 203, 294; D25/199; D11/156, 143, 147, 155; D9/425, D9/456, 414, 432-35, 760; D30/107; D34/19; 220/4.33; 206/528; D24/226-7

DESCRIPTION

See application file for complete search history.

FIG. 1 is a front perspective view of a sweater basket for a golf car;

FIG. 2 is a front planar view thereof;

FIG. 3 is a left side view thereof (the right side view is a mirror image to the left side view);

FIG. 4 is a top perspective view thereof;

FIG. 5 is a front perspective view of a second embodiment of a sweater basket for a golf car;

FIG. 6 is a front planar view thereof;

FIG. 7 is a left side view thereof (the right side view is a mirror image to the left side view); and,

FIG. 8 is a top perspective view thereof.

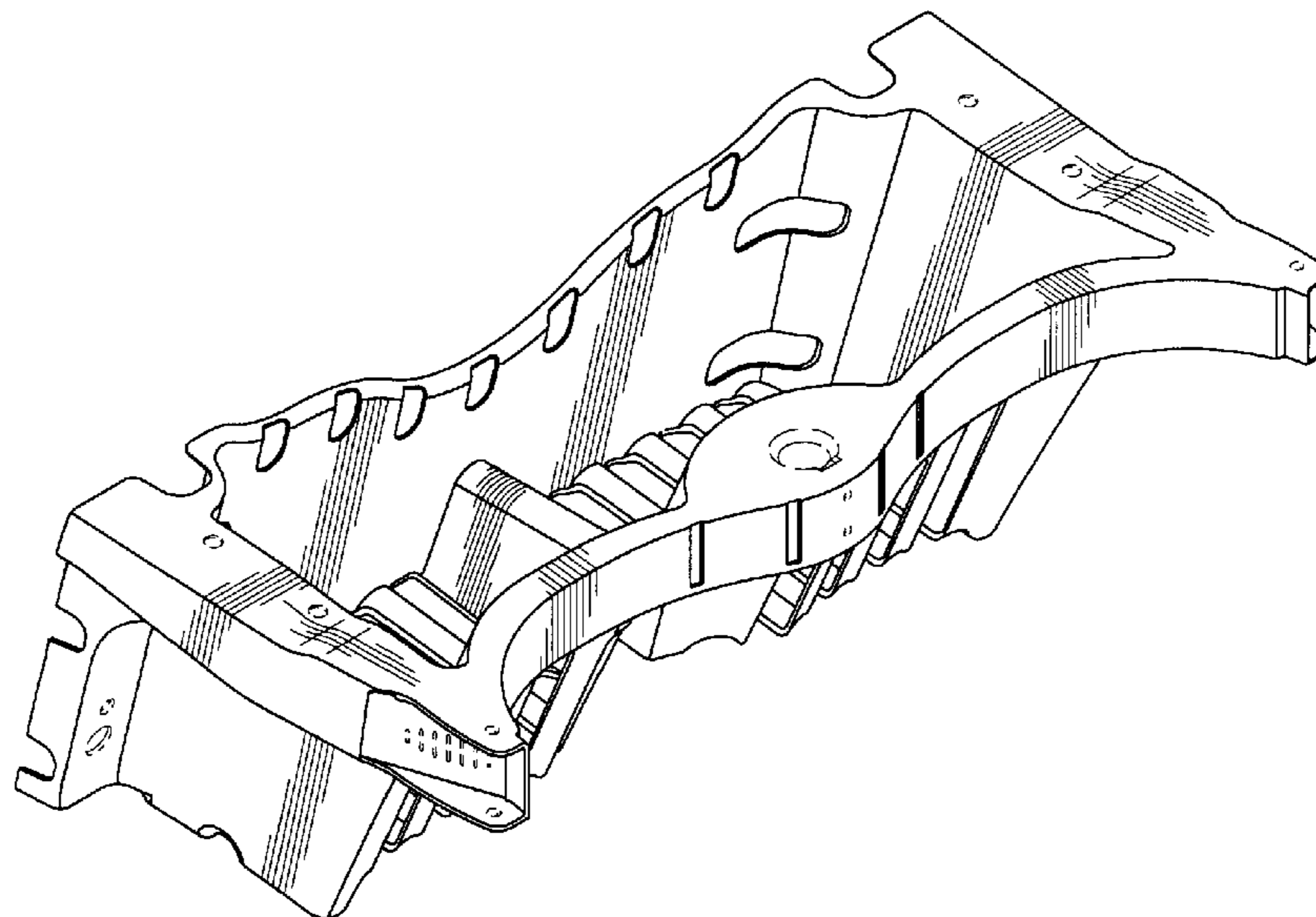
The broken lines are included for the purpose of illustration only and form no part of the claimed design.

(56) **References Cited**

U.S. PATENT DOCUMENTS

5,129,615 A * 7/1992 Strauss 248/311.2
D370,345 S * 6/1996 Wolff D3/312
D395,023 S * 6/1998 Hikida D12/16
D420,798 S * 2/2000 Belokin et al. D3/304
D481,894 S * 11/2003 Hunt D6/525
D485,529 S * 1/2004 Schoenberger D12/419
D487,845 S * 3/2004 Johansson et al. D3/304
D498,704 S 11/2004 Bonner et al.

1 Claim, 4 Drawing Sheets



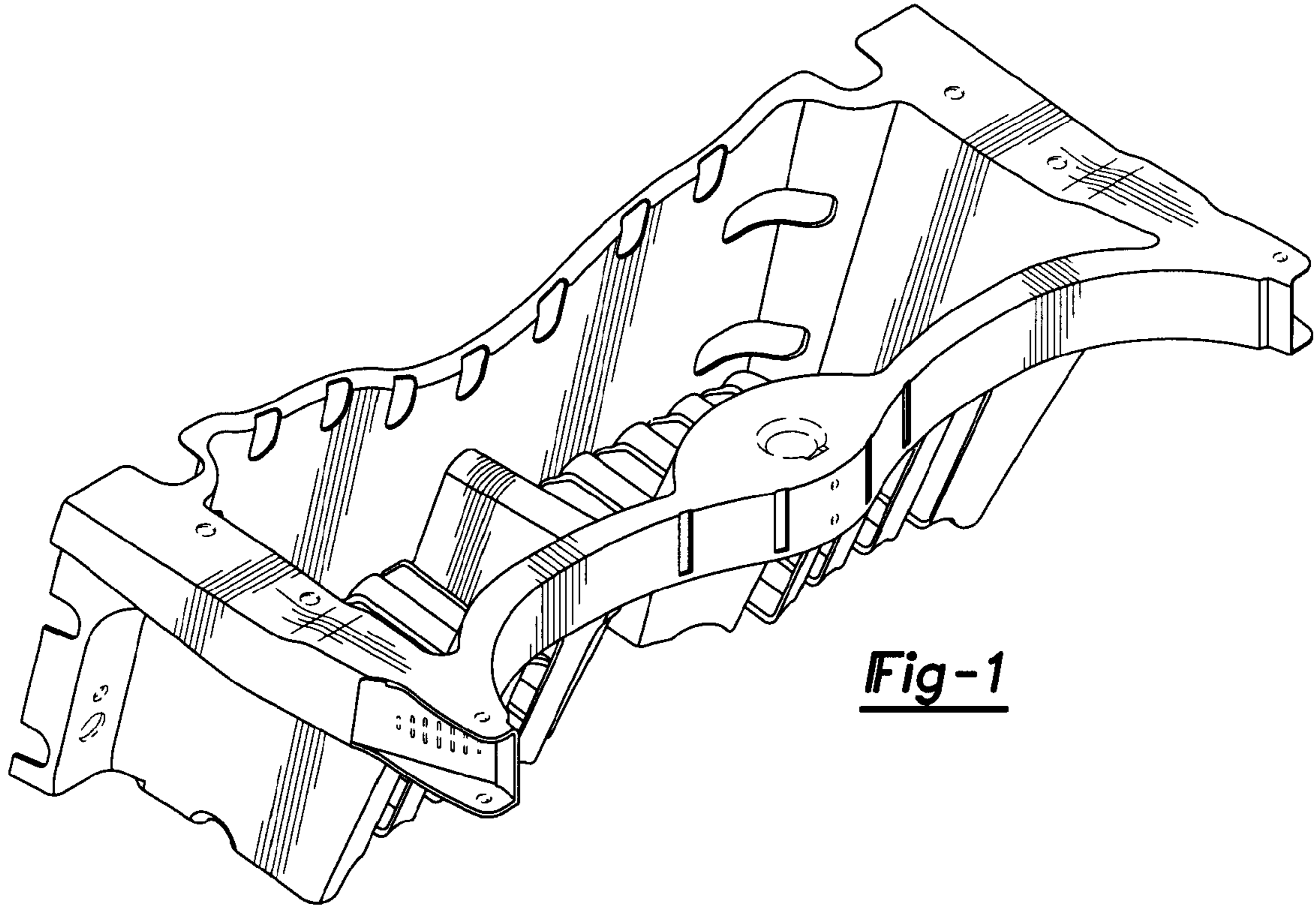


Fig-1

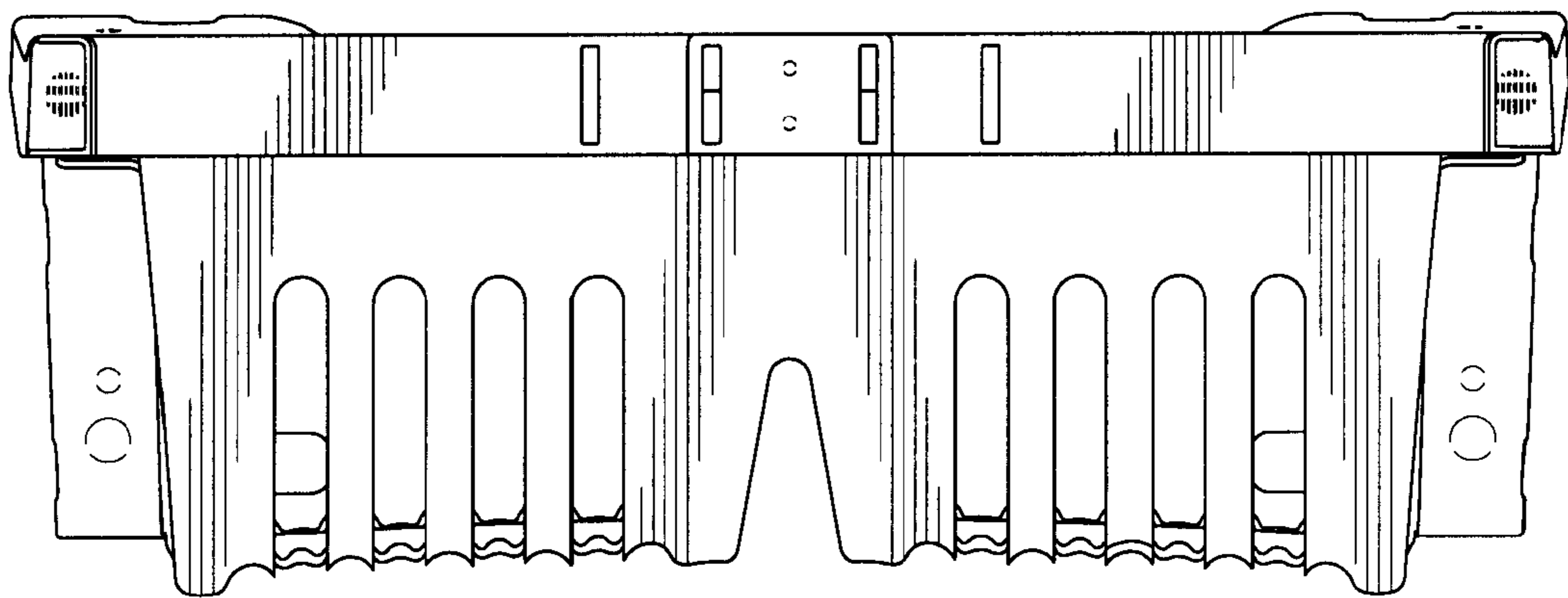


Fig-2

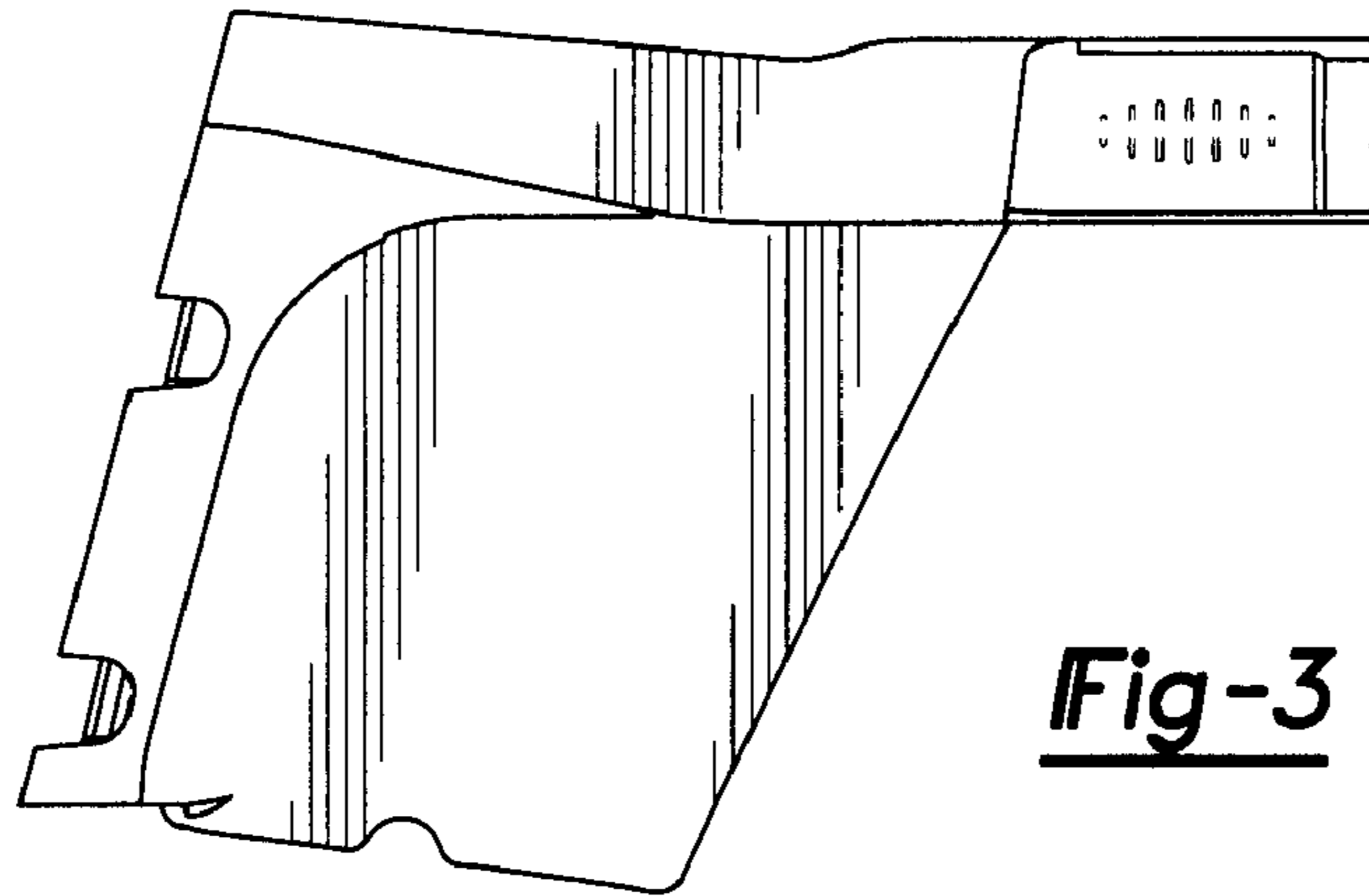


Fig-3

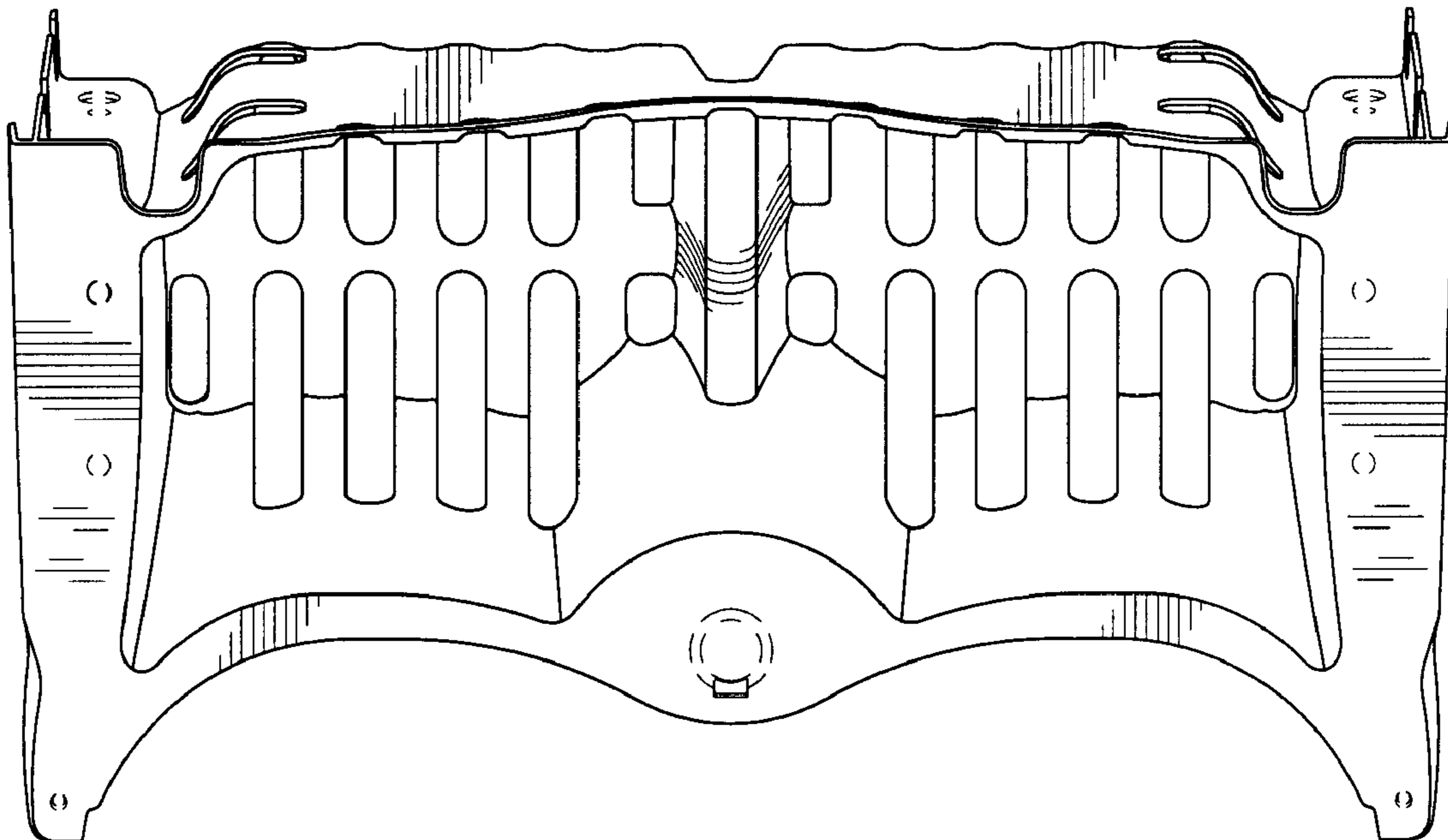


Fig-4

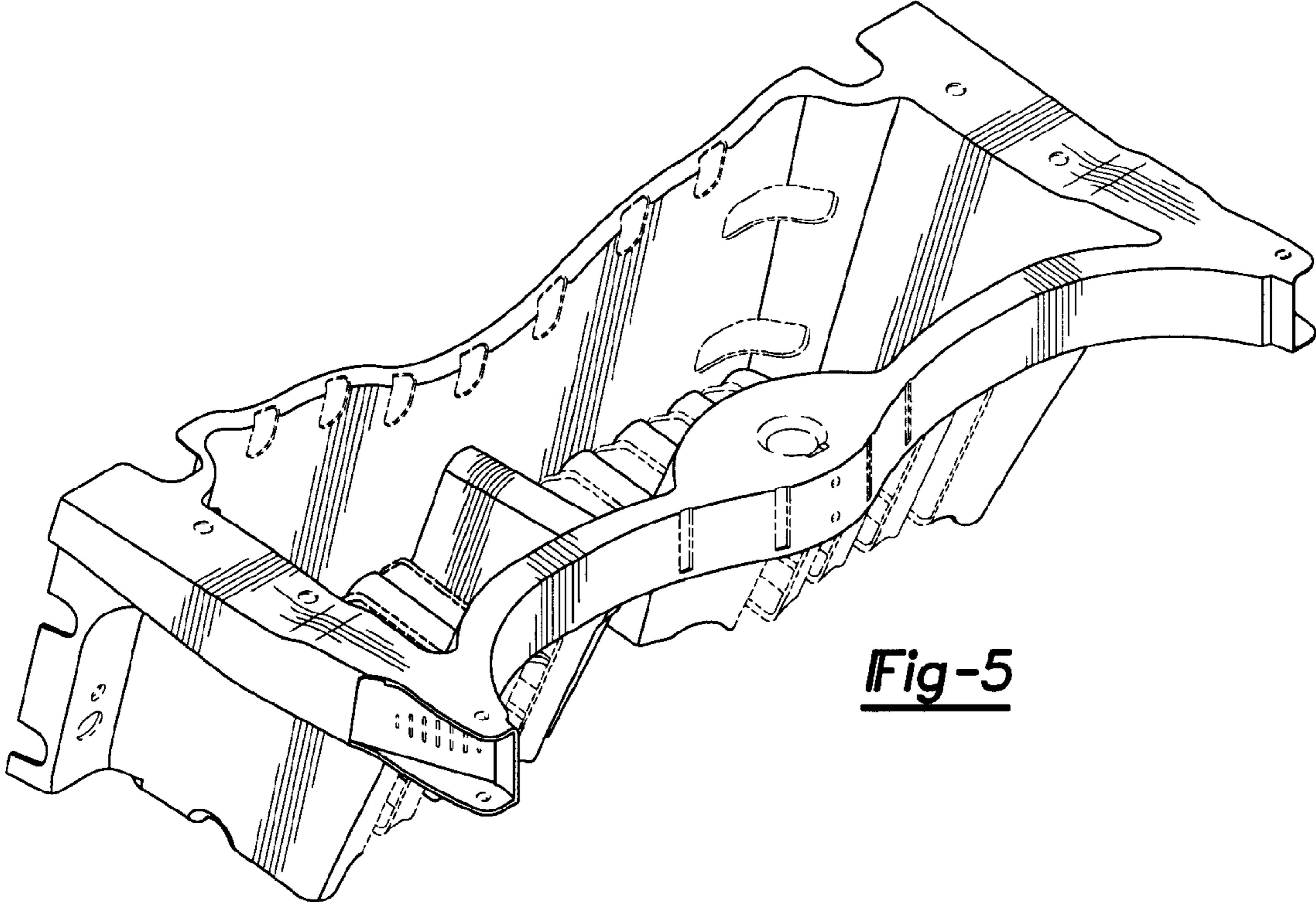


Fig-5

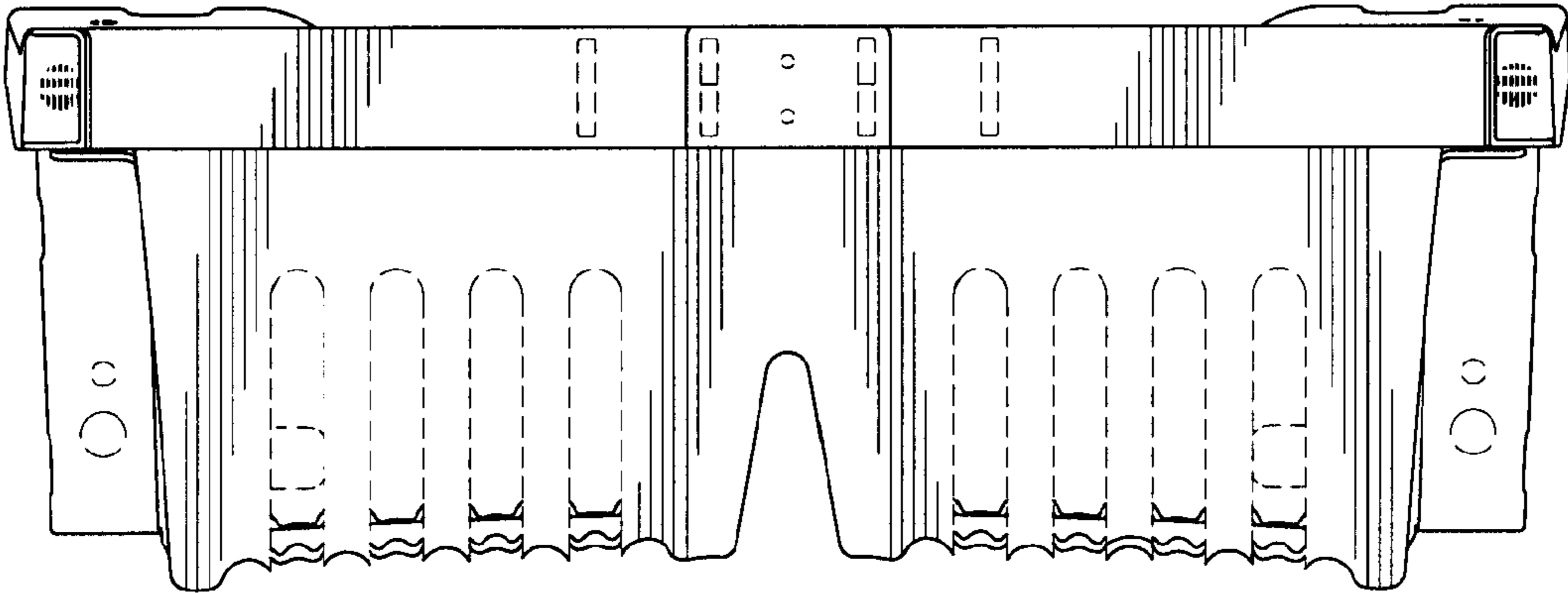


Fig-6

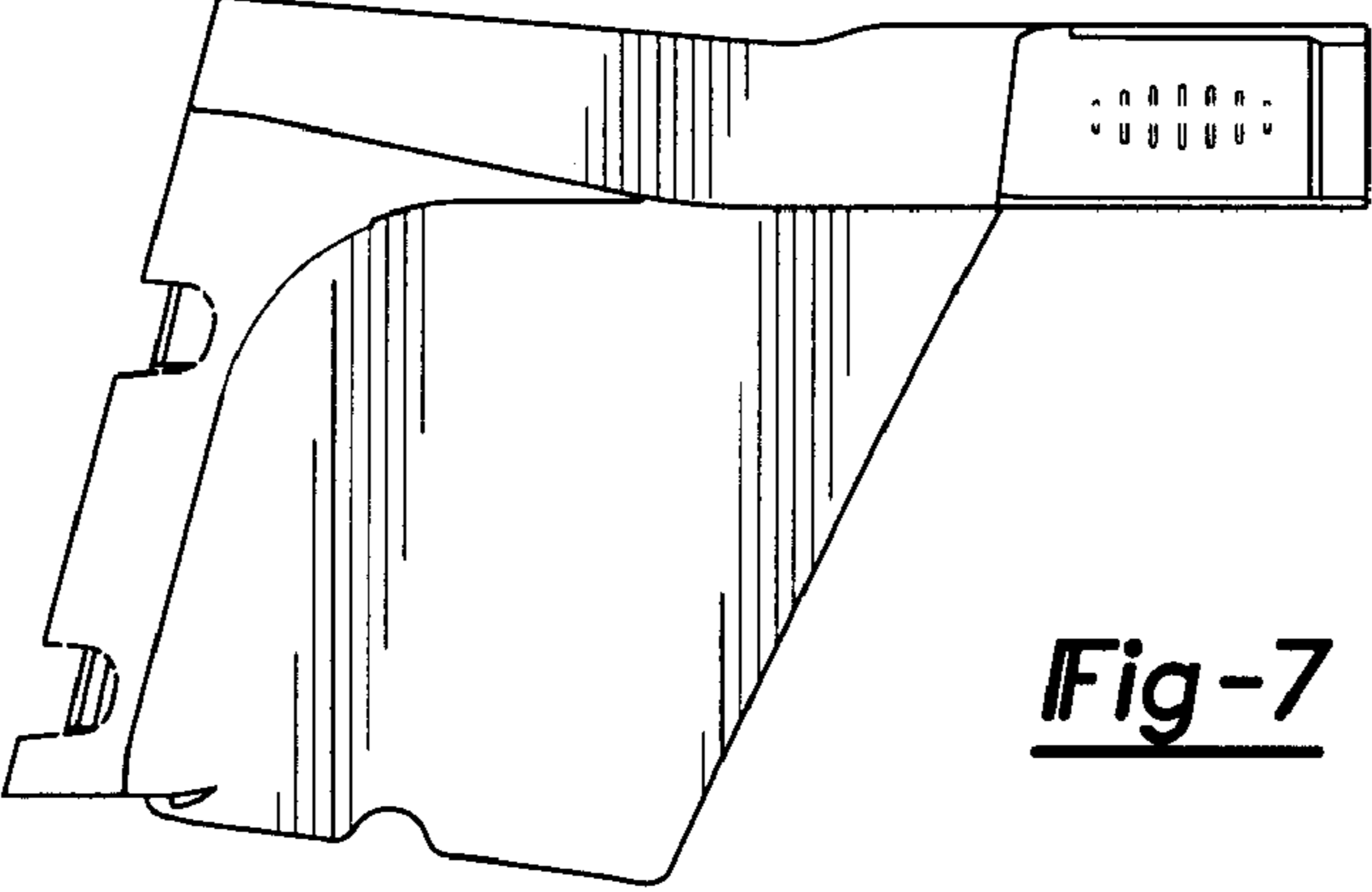


Fig-7

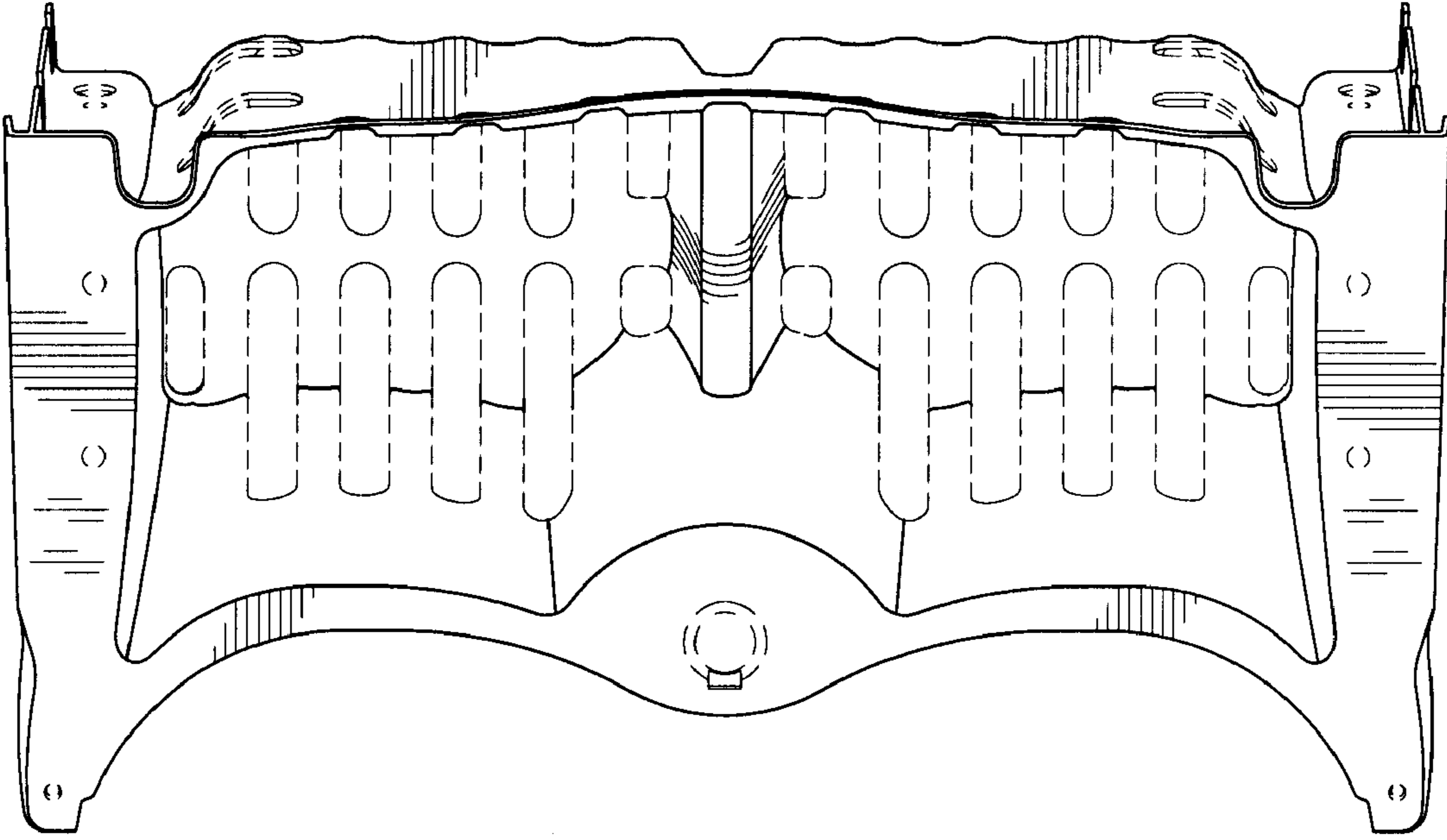


Fig-8