



US00D558635S

(12) **United States Design Patent**
Glassman

(10) **Patent No.:** **US D558,635 S**

(45) **Date of Patent:** **** Jan. 1, 2008**

(54) **OPENABLE PENDANT WITH MOVEABLE ITEMS**

(75) Inventor: **Ellen Tave Glassman**, Closter, NJ (US)

(73) Assignee: **Movado LLC**, Wilmington, DE (US)

(**) Term: **14 Years**

(21) Appl. No.: **29/264,171**

(22) Filed: **Aug. 3, 2006**

(51) **LOC (8) Cl.** **11-01**

(52) **U.S. Cl.** **D11/80**

(58) **Field of Classification Search** D11/1-2,
D11/7, 40-44, 46-49, 53, 56-57, 59-61,
D11/63, 65, 79-83, 86-87, 89-90, 99, 91-92,
D11/101, 106, 114-116, 200-201; 63/1.11,
63/18-20; D3/207-211

See application file for complete search history.

(56) **References Cited**

U.S. PATENT DOCUMENTS

D22,456 S *	5/1893	Horne	D8/335
D167,387 S *	8/1952	Blecher	D20/24
3,295,651 A *	1/1967	Klackowski et al.	194/214
5,792,012 A *	8/1998	Dudley	473/588
D463,104 S *	9/2002	Ames	D3/207
D507,987 S *	8/2005	Davis	D11/95

* cited by examiner

Primary Examiner—Ralf Seifert

(74) *Attorney, Agent, or Firm*—Fross Zelnick Lehrman & Zissu, P.C.; Charles T. J. Weigell, Esq.

(57) **CLAIM**

The ornamental design for an openable pendant with moveable items, as shown and described.

DESCRIPTION

FIG. 1 is a perspective view of an openable pendant with moveable items showing my new design, in a closed position;

FIG. 2 is a perspective view of the openable pendant with moveable items shown in FIG. 1, in an open position;

FIG. 3 is a front view of the openable pendant with moveable items shown in FIG. 1, in an open position;

FIG. 4 is a rear view of the openable pendant with moveable items shown in FIG. 1, in an open position;

FIG. 5 is a left side view of the openable pendant with moveable items shown in FIG. 1, in an open position;

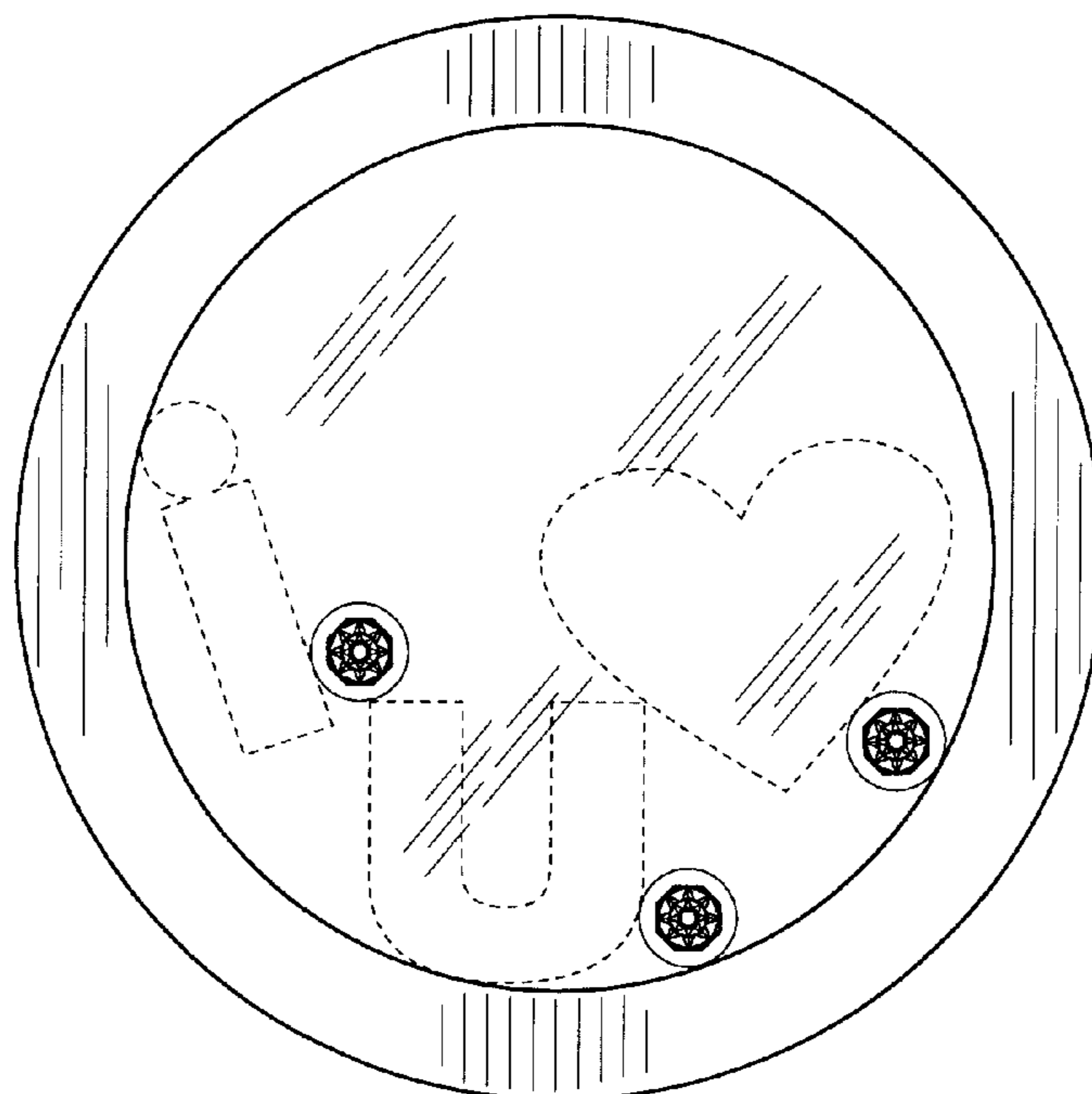
FIG. 6 is a right side view of the openable pendant with moveable items shown in FIG. 1, in an open position;

FIG. 7 is a top view of the openable pendant with moveable items shown in FIG. 1, in an open position; and,

FIG. 8 is a bottom view of the openable pendant with moveable items shown in FIG. 1, in an open position.

The broken line showing of the movable items is for illustrative purposes only and forms no part of the claimed design.

1 Claim, 3 Drawing Sheets



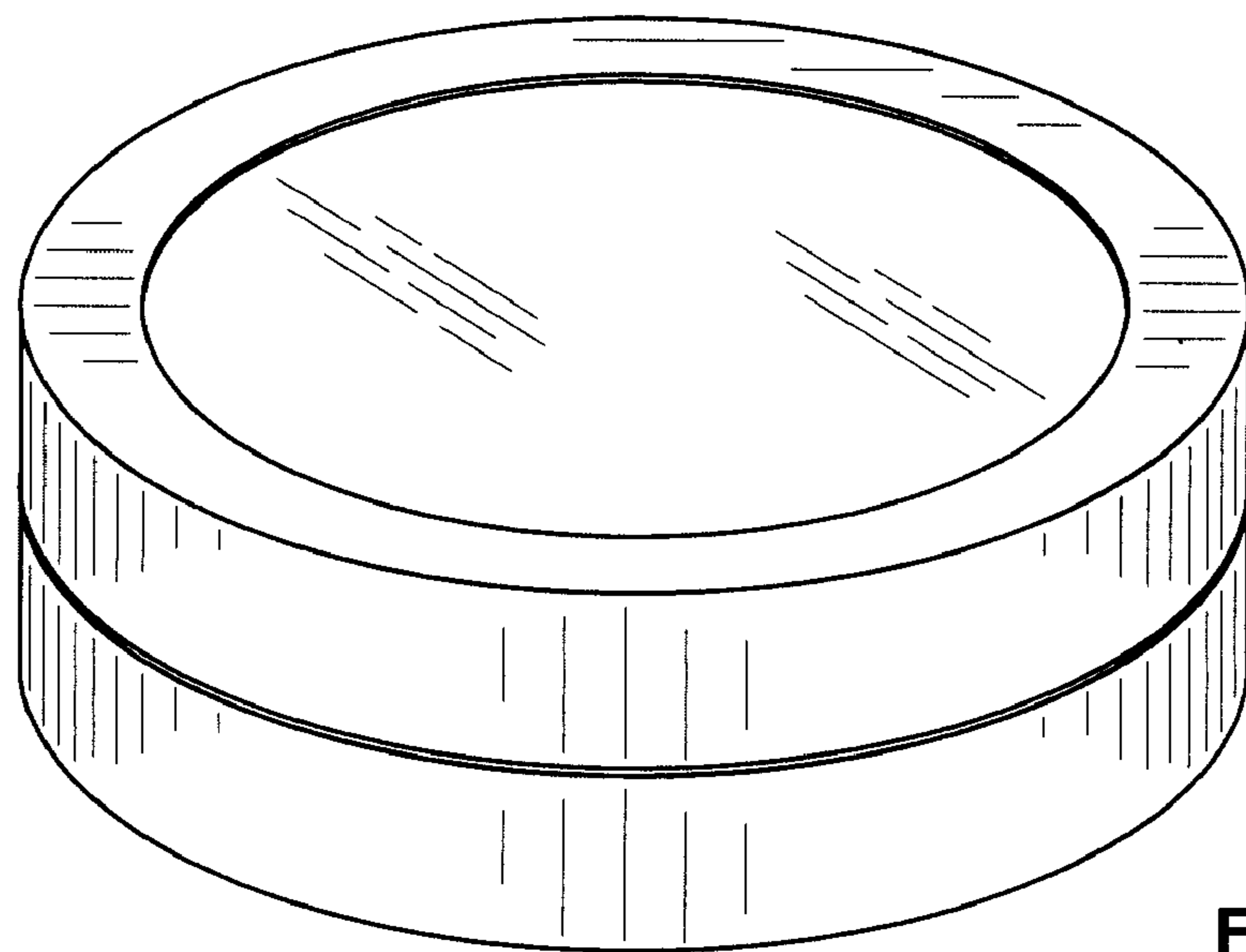


FIG. 1

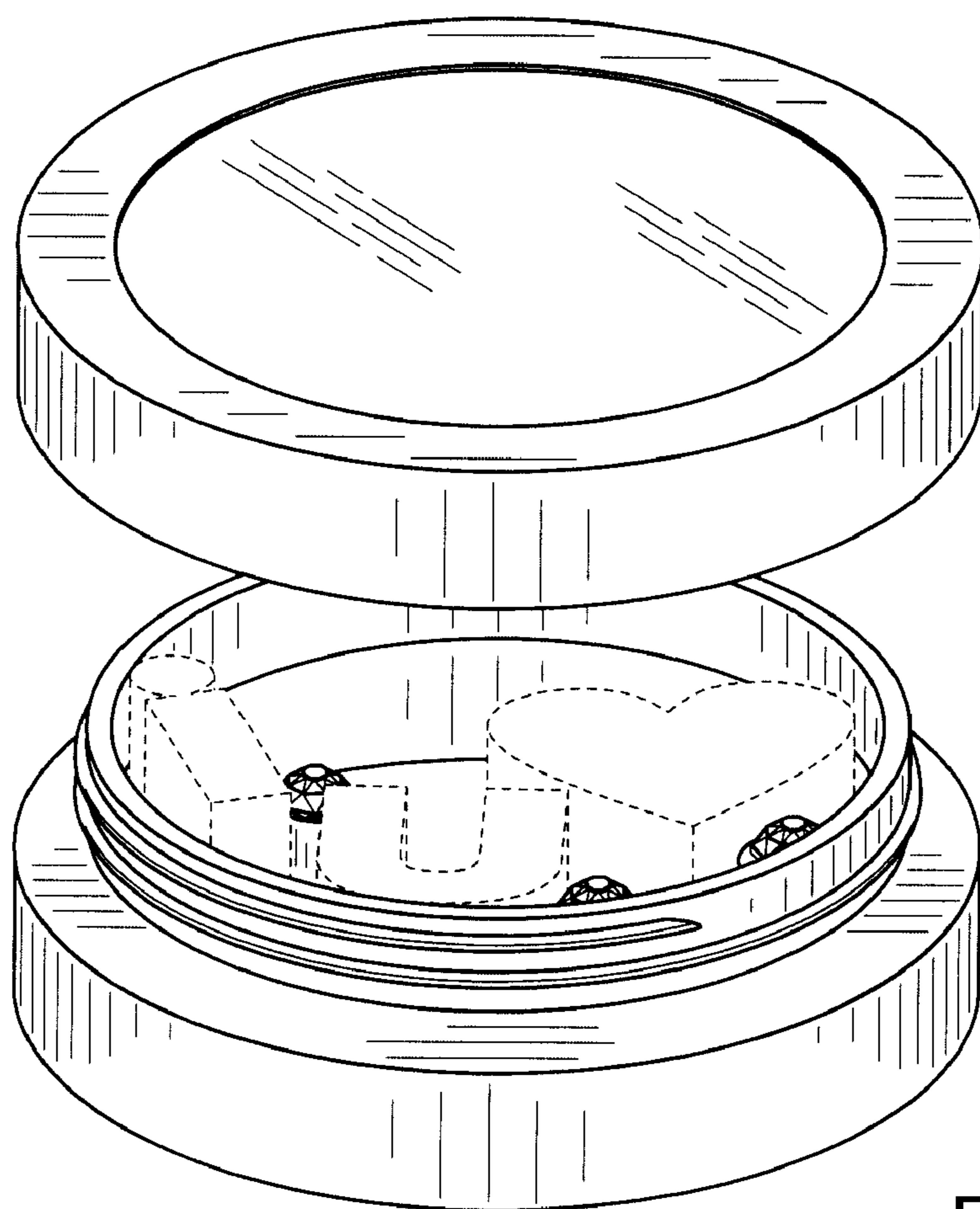


FIG. 2

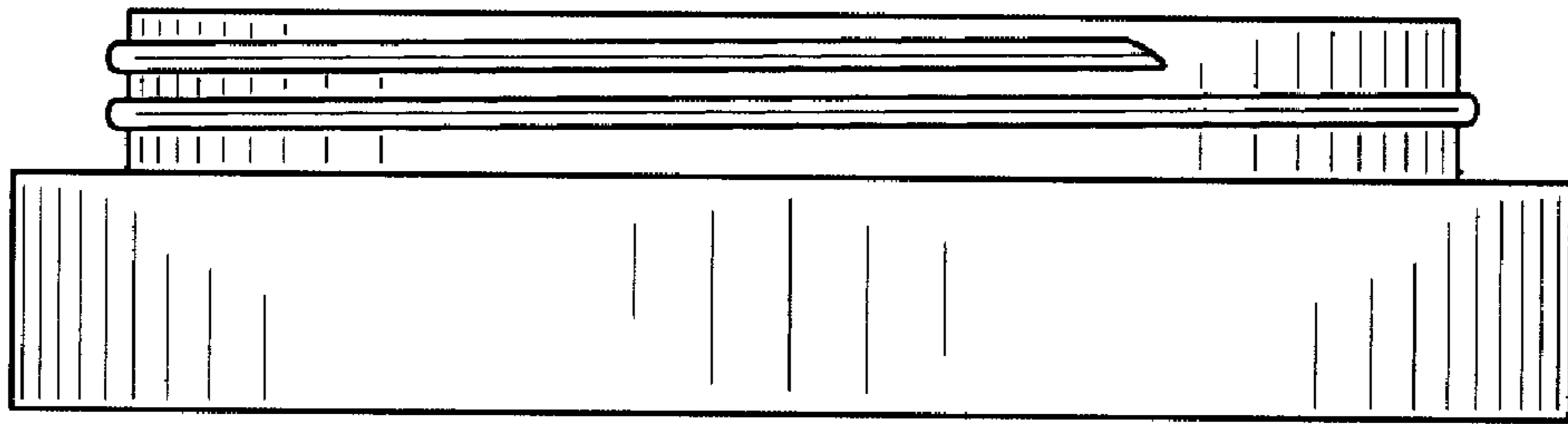


FIG. 3

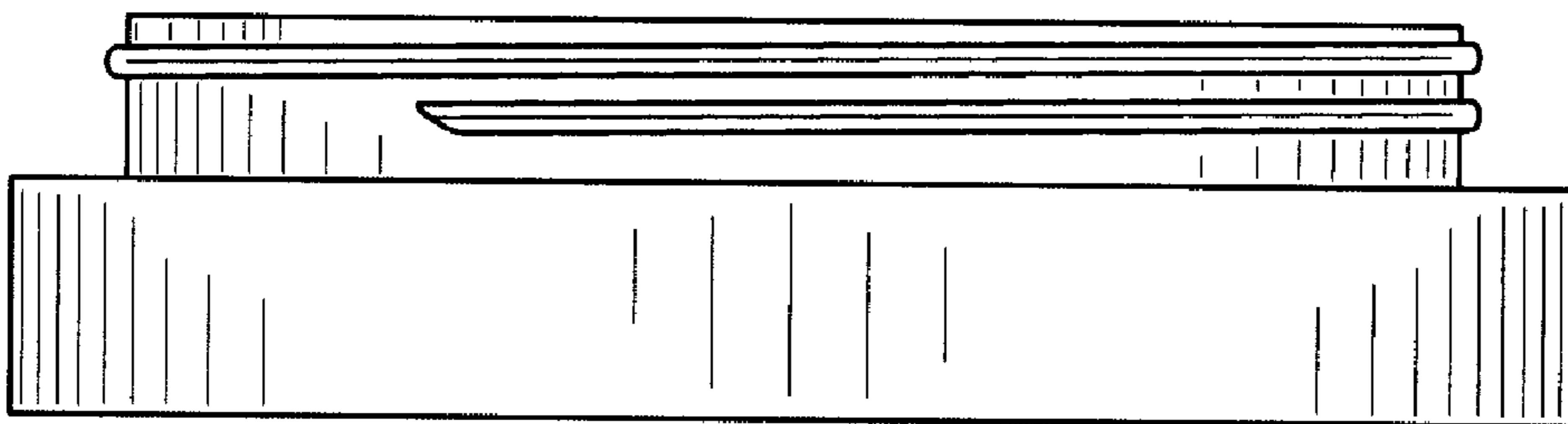


FIG. 4

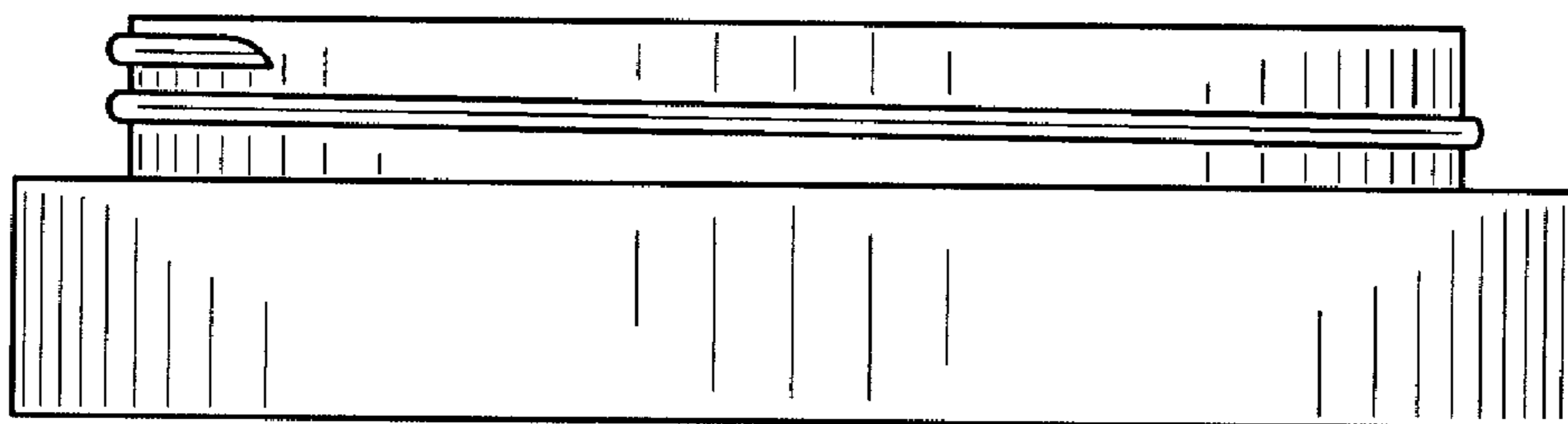


FIG. 5

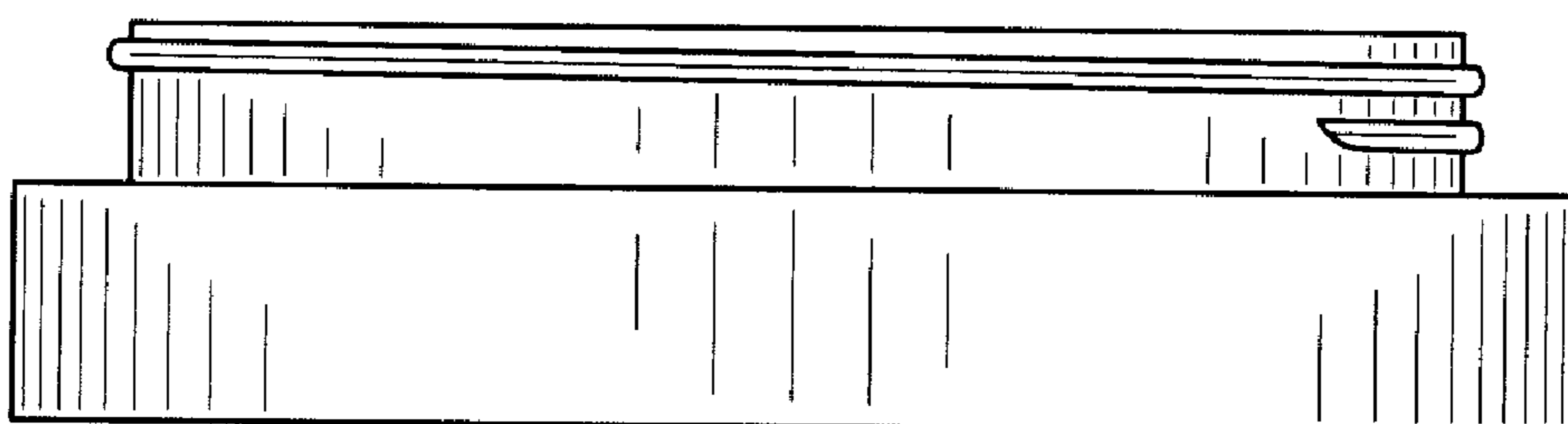


FIG. 6

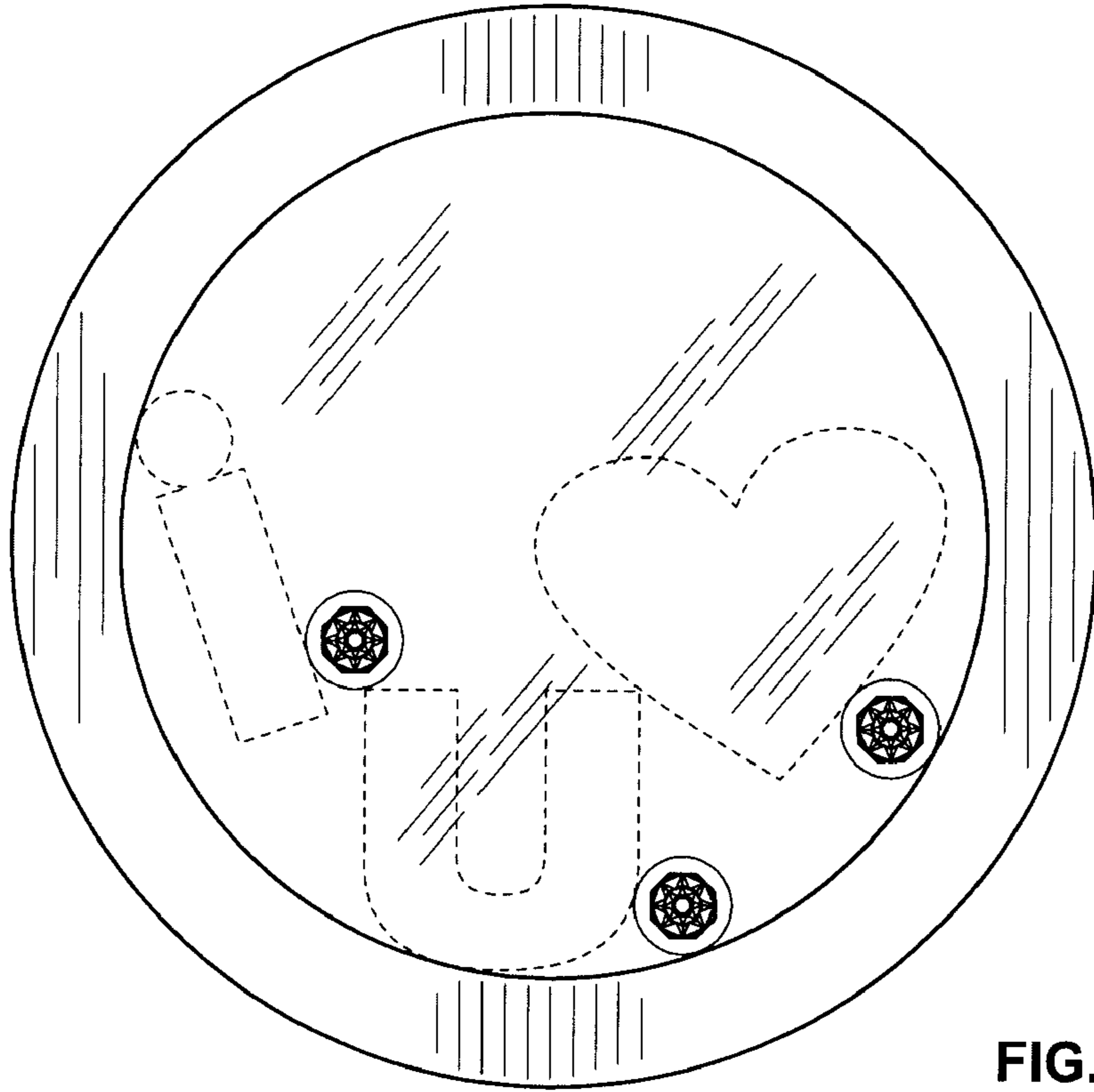


FIG. 7

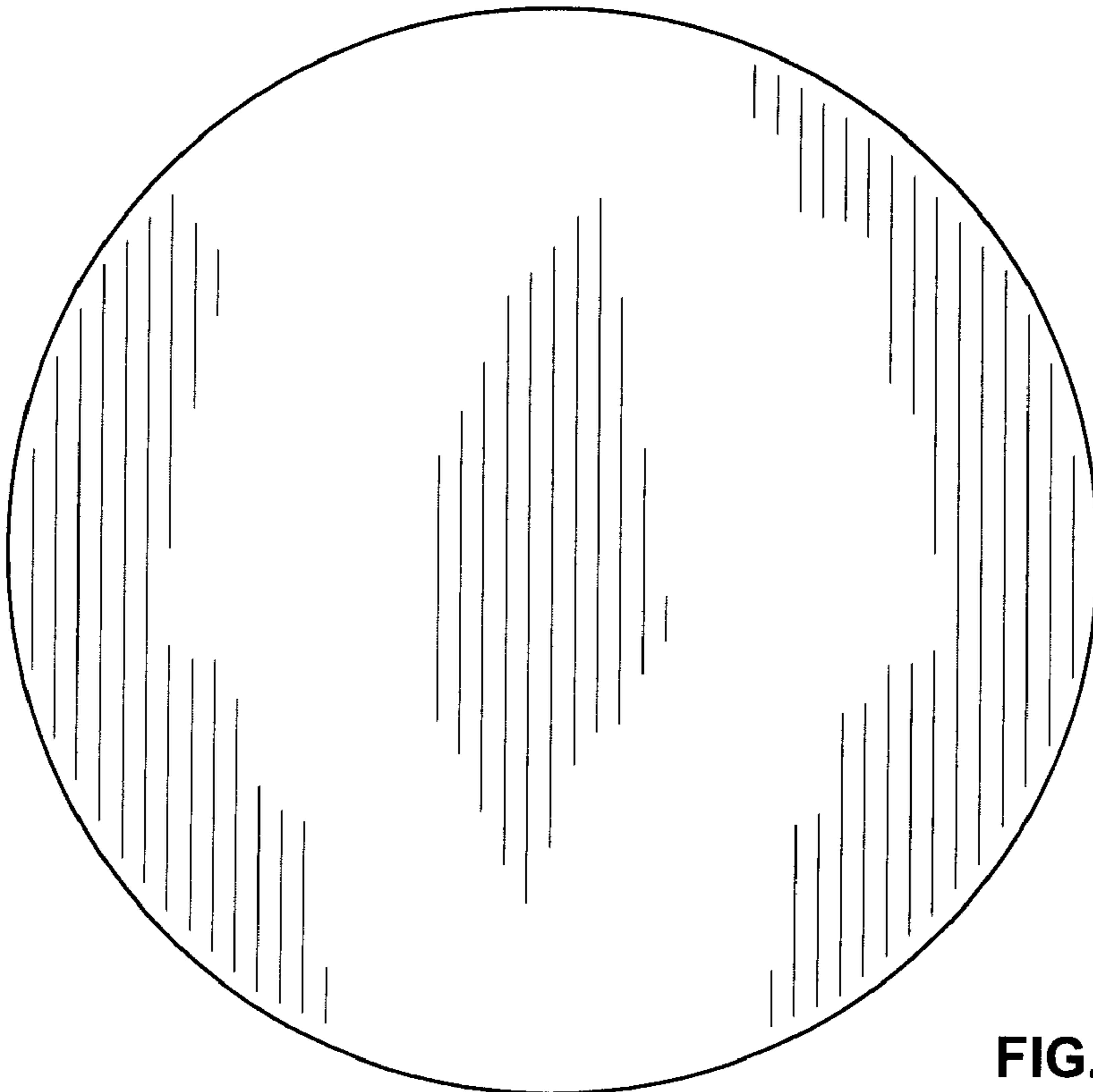


FIG. 8