



US00D558628S

(12) **United States Design Patent**
Bathey

(10) **Patent No.:** **US D558,628 S**

(45) **Date of Patent:** **** Jan. 1, 2008**

(54) **GAME CALL**

(76) Inventor: **Michael Landen Bathey**, 6916
Pinewood Forest Dr., Monroe, NC (US)
28110

(**) Term: **14 Years**

(21) Appl. No.: **29/242,380**

(22) Filed: **Nov. 9, 2005**

(51) **LOC (8) Cl.** **10-05**

(52) **U.S. Cl.** **D10/119; D10/116**

(58) **Field of Classification Search** **D10/116-121;**
446/200-213

See application file for complete search history.

(56) **References Cited**

U.S. PATENT DOCUMENTS

3,991,513	A *	11/1976	Faulk	446/208
D247,785	S *	4/1978	Ehrich	D10/119
D393,223	S *	4/1998	Hall	D10/119
6,053,794	A *	4/2000	Weiser	446/207
D497,564	S *	10/2004	Primos et al.	D10/119
D502,119	S *	2/2005	Primos et al.	D10/119
2002/0009946	A1 *	1/2002	Primos	446/207
2003/0082988	A1 *	5/2003	Gendron et al.	446/207

OTHER PUBLICATIONS

Applicant-generated document labeled FIG. 1 and FIG. 2 (2 pages)
illustrating game calls.

* cited by examiner

Primary Examiner—Robert M. Spear

Assistant Examiner—George D Kirschbaum

(74) *Attorney, Agent, or Firm*—Tillman Wright, PLLC;
Chad D. Tillman; James D. Wright

(57) **CLAIM**

The ornamental design for a game call, as shown.

DESCRIPTION

FIG. 1 represents a side elevational view of a first embodiment of the game call of the present invention;

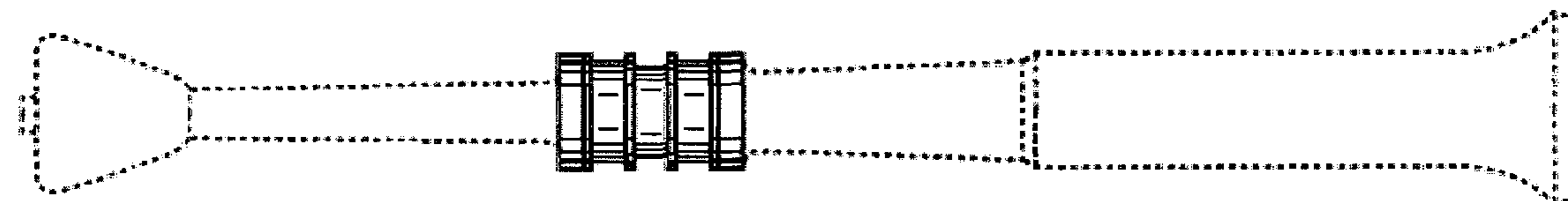
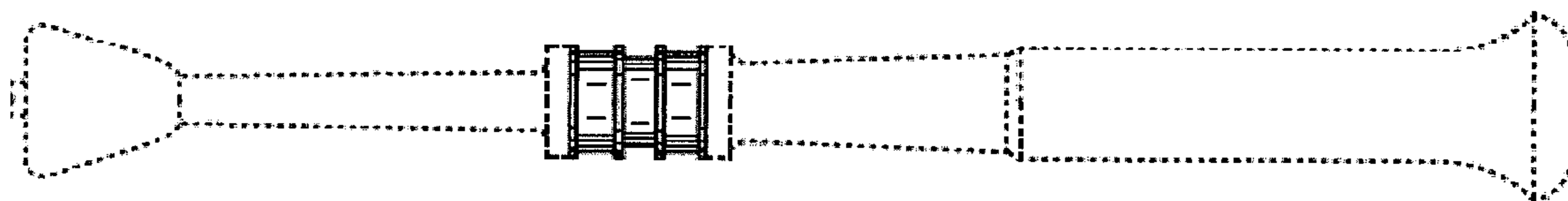
FIG. 2 represents a perspective view of the game call of the present invention;

FIG. 3 represents a side elevational view of a second embodiment of the game call of the present invention; and,

FIG. 4 represents a perspective view of the game call of the present invention.

The broken line showing of display characters is included for the purpose of illustrating unclaimed subject matter and forms no part of the claimed design.

1 Claim, 4 Drawing Sheets



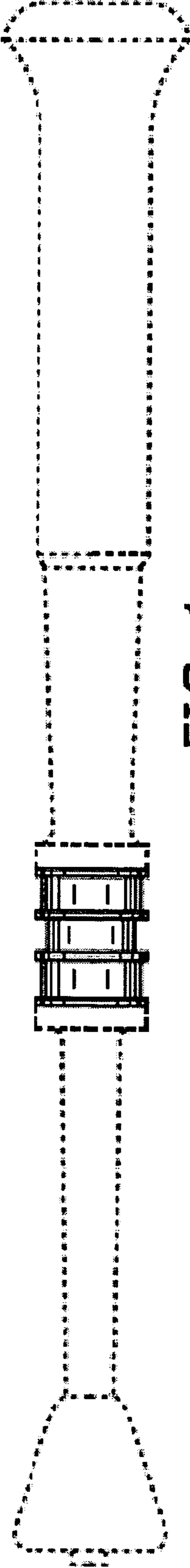


FIG. 1

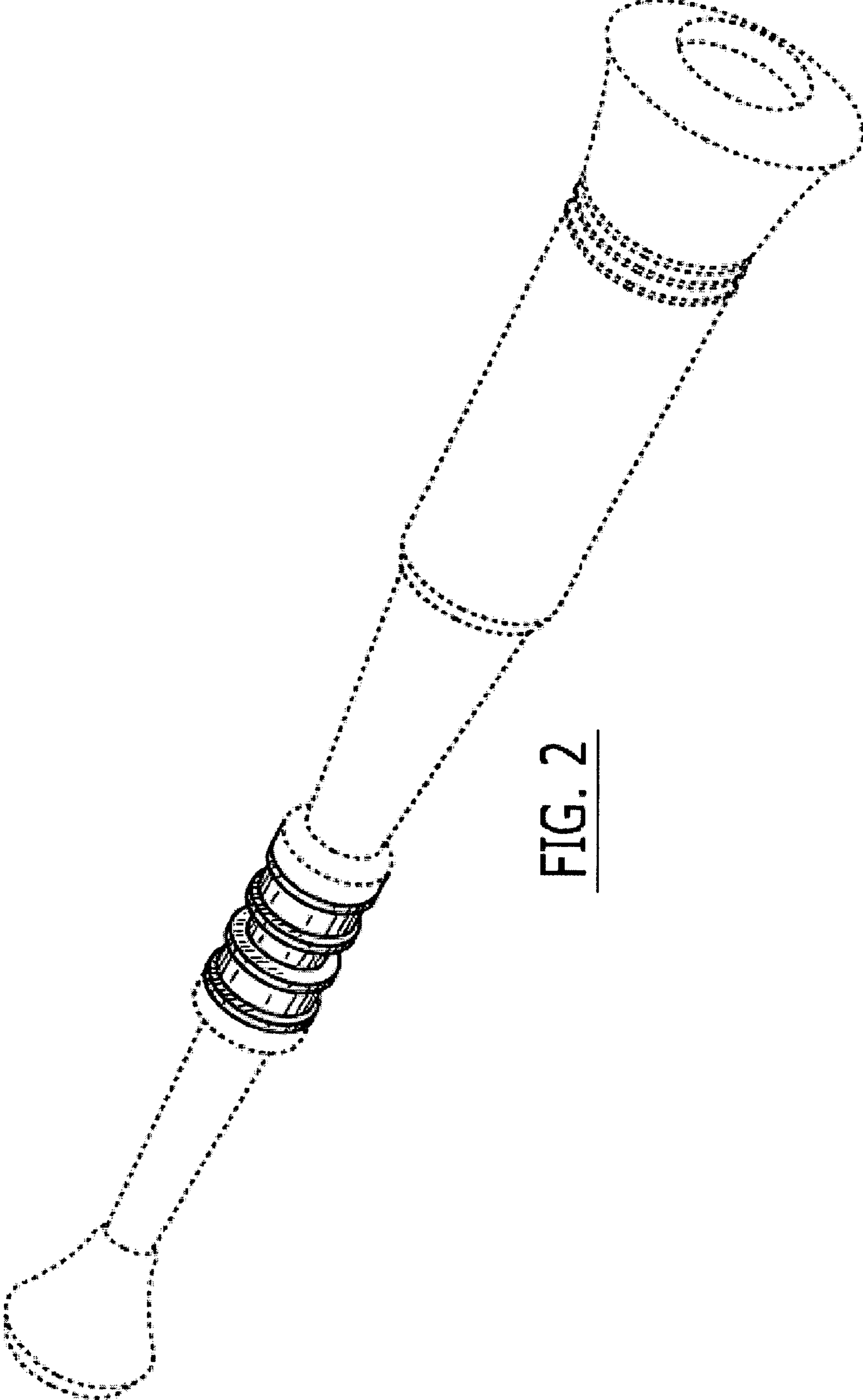


FIG. 2

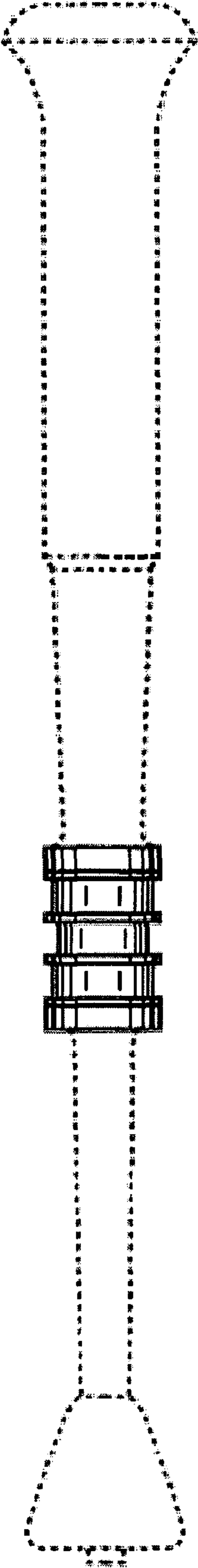


FIG. 3

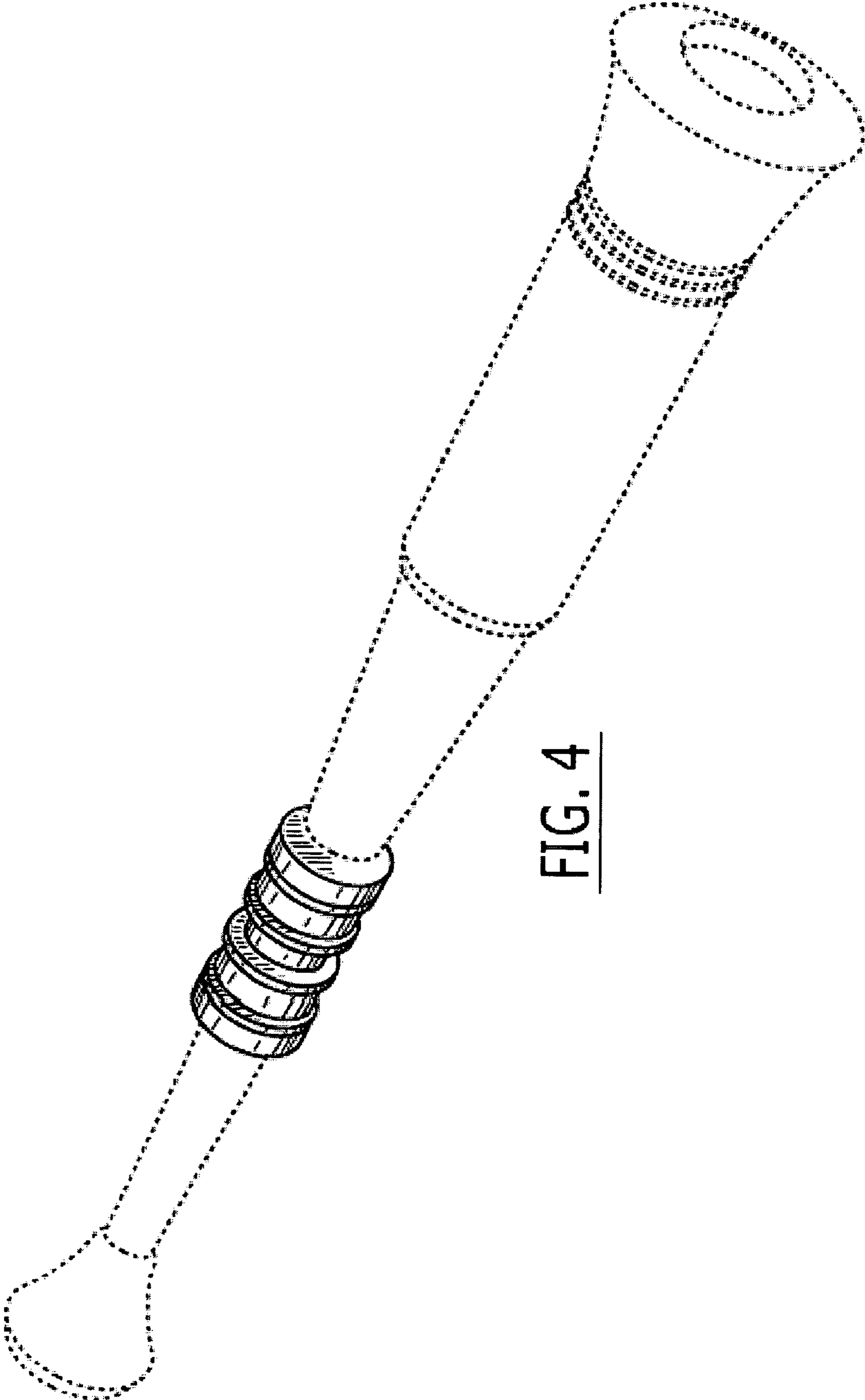


FIG. 4