

US00D558627S

(12) **United States Design Patent**
Bowers

(10) **Patent No.:** **US D558,627 S**
(45) **Date of Patent:** **** Jan. 1, 2008**

(54) **WINDOW-HUNG SIGNALING DEVICE FOR VEHICLES**

2002/0096102 A1* 7/2002 Sloop 116/63 P

(76) Inventor: **James H. Bowers**, 4925 Courtney Ridge La., #511, Charlotte, NC (US) 28217

* cited by examiner

Primary Examiner—Robert M. Spear
Assistant Examiner—George D Kirschbaum
(74) *Attorney, Agent, or Firm*—Schwartz Law Firm P.C.

(**) Term: **14 Years**

(57) **CLAIM**

(21) Appl. No.: **29/254,937**

I claim the ornamental design for a window-hung signaling device for vehicles, as shown.

(22) Filed: **Feb. 28, 2006**

(51) **LOC (8) Cl.** **10-05**

DESCRIPTION

(52) **U.S. Cl.** **D10/109**

(58) **Field of Classification Search** D10/104–121;
116/63 R, 63 P, 63 C, 63 T; 404/9–16; 40/591
See application file for complete search history.

FIG. 1 is a perspective view of the window-hung signaling device for vehicles;

FIG. 2 is a right side view thereof;

FIG. 3 is a left side view thereof;

FIG. 4 is a top edge view thereof;

FIG. 5 is a bottom edge view thereof;

FIG. 6 is a front edge view thereof; and,

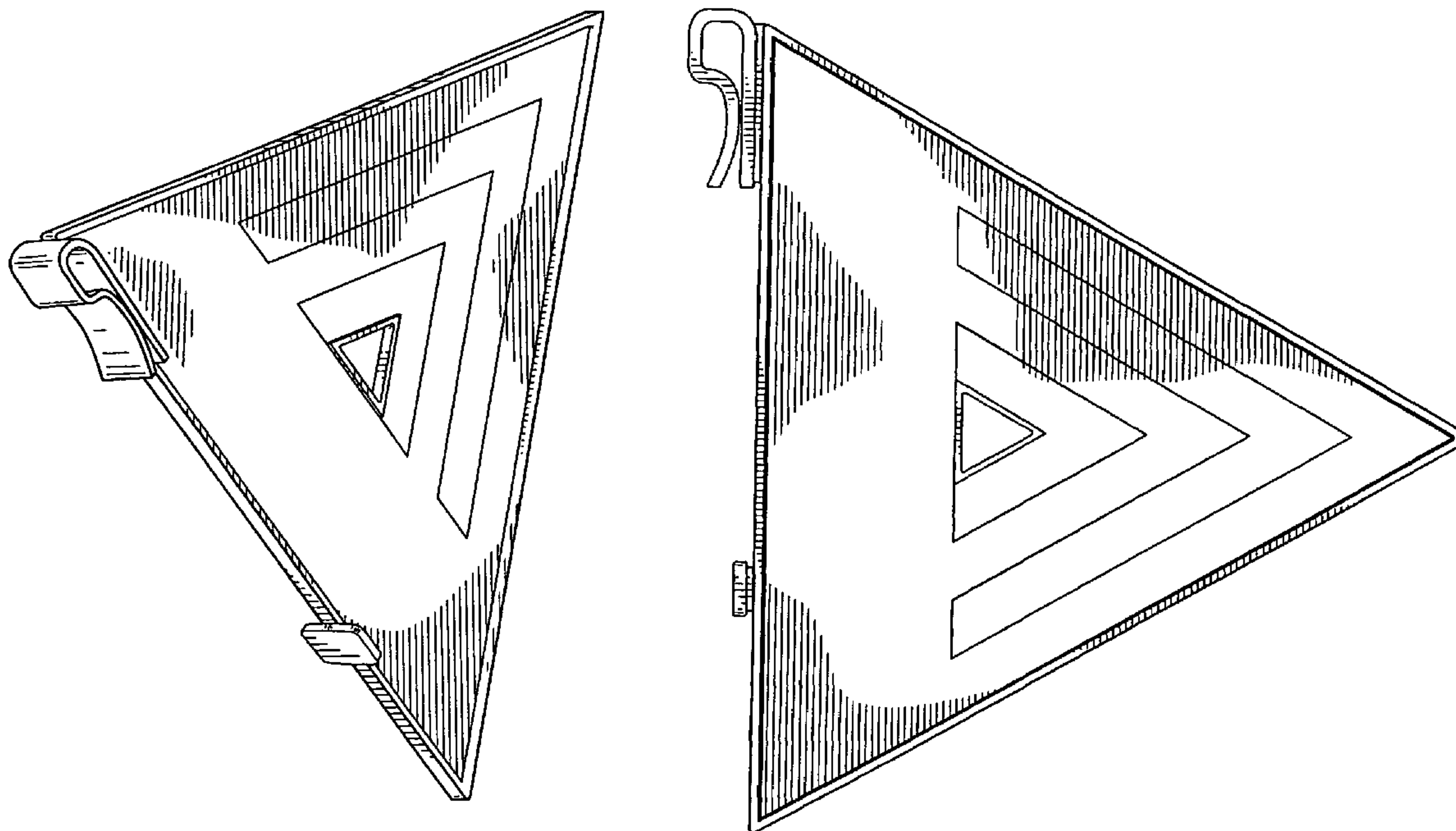
FIG. 7 is a rear edge view thereof.

(56) **References Cited**

U.S. PATENT DOCUMENTS

D323,303 S *	1/1992	Johansson et al.	D10/114
5,195,264 A *	3/1993	Johanson et al.	40/591
D383,080 S *	9/1997	Derrick	D10/109
D446,465 S *	8/2001	Sloop	D10/109
6,276,080 B1 *	8/2001	Brennan	40/591

1 Claim, 5 Drawing Sheets



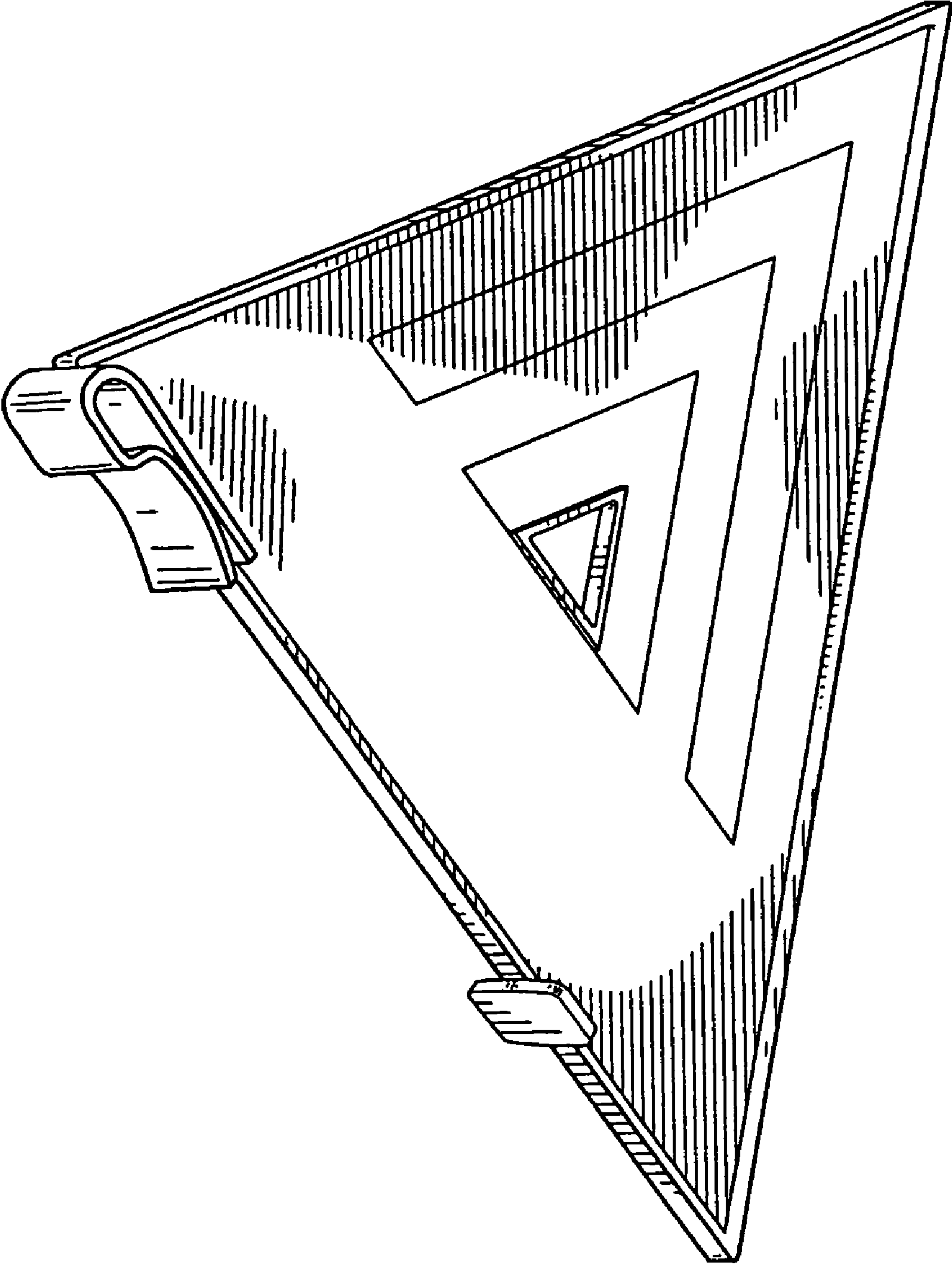


FIG. 1

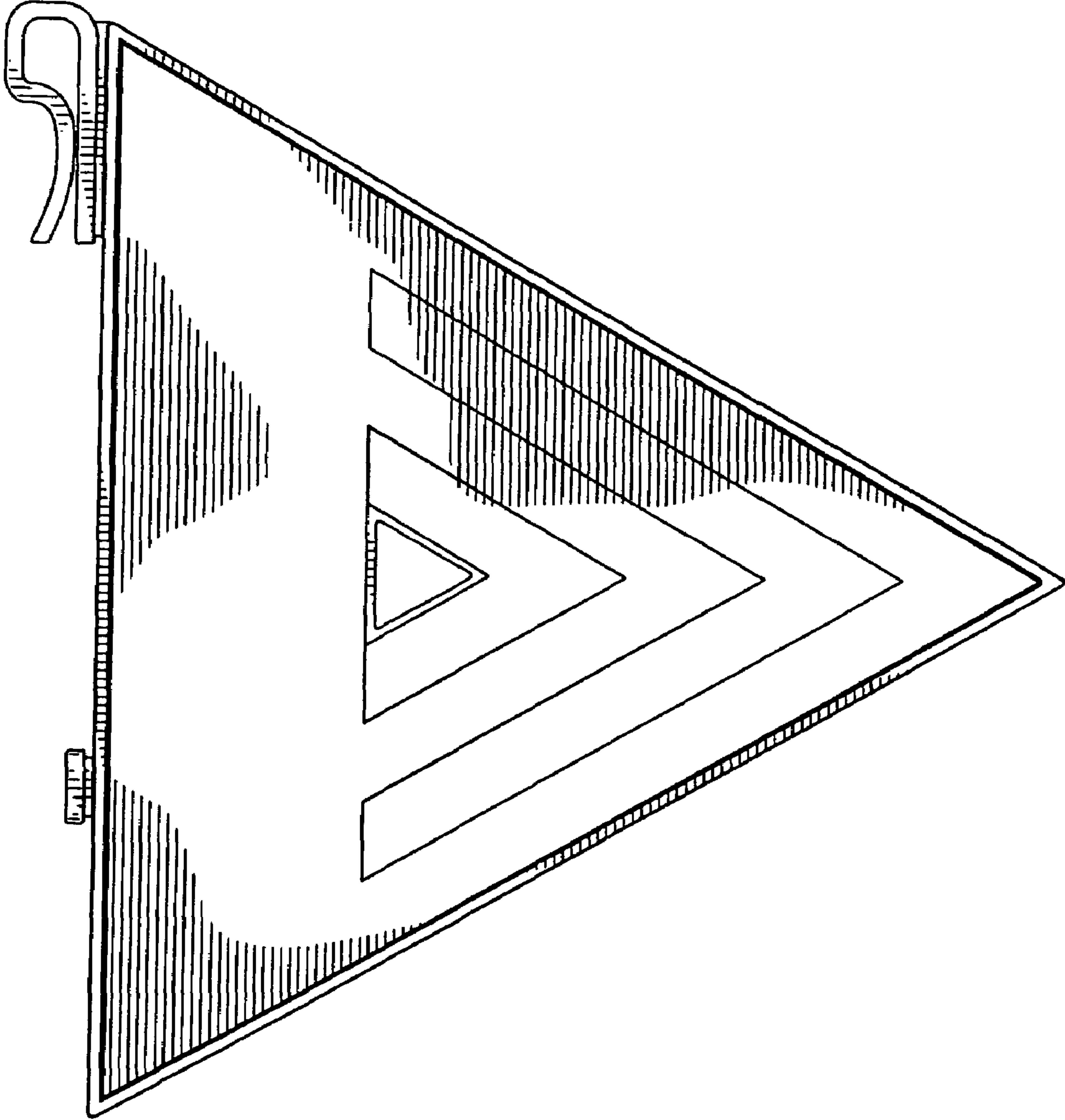


FIG. 2

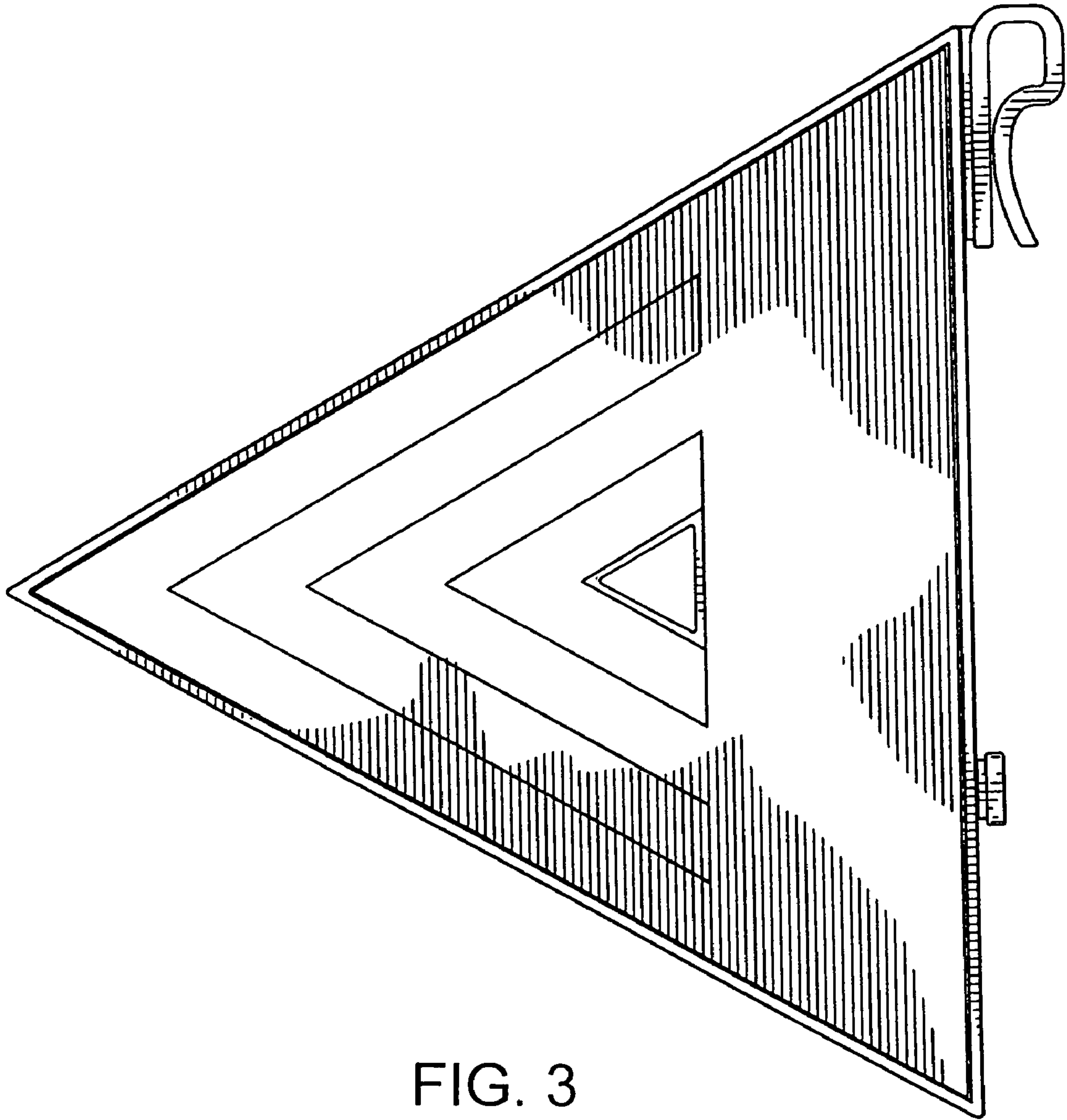


FIG. 3

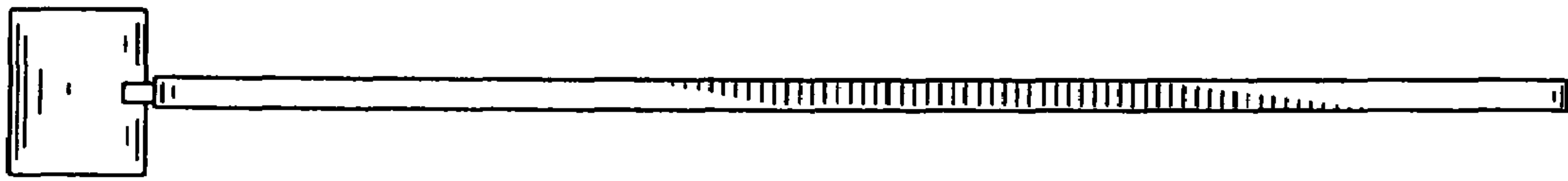


FIG. 4

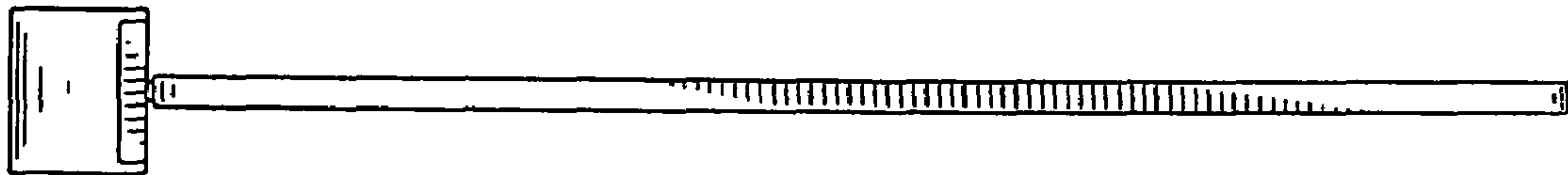


FIG. 5

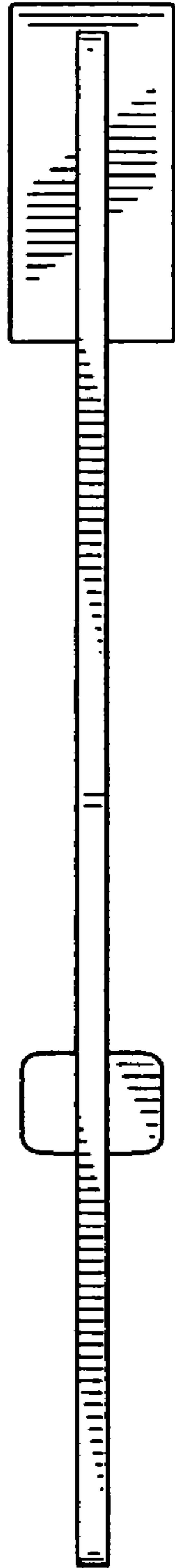


FIG. 6

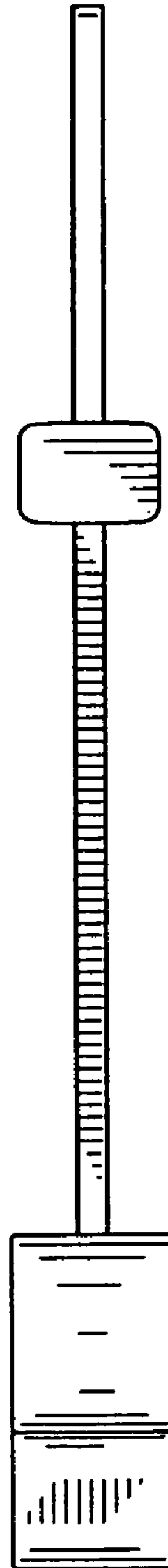


FIG. 7