



US00D558626S

(12) **United States Design Patent**  
**Chung**

(10) **Patent No.:** **US D558,626 S**

(45) **Date of Patent:** **\*\* Jan. 1, 2008**

(54) **LIGHTNING ROD**

(75) Inventor: **Young-Ki Chung**, 102-1404, Samsung  
Apt. 374 Dangsang-dong,  
Yeongdeungpo-gu, Seoul (KR) 150-040

(73) Assignee: **Young-Ki Chung** (KR)

(\*\*) Term: **14 Years**

(21) Appl. No.: **29/266,865**

(22) Filed: **Sep. 29, 2006**

(30) **Foreign Application Priority Data**

Aug. 2, 2006 (KR) ..... 30-2006-0032244

(51) **LOC (8) Cl.** ..... **10-05**

(52) **U.S. Cl.** ..... **D10/105**

(58) **Field of Classification Search** ..... D10/104-121;  
361/220; 174/3, 33

See application file for complete search history.

(56) **References Cited**

**U.S. PATENT DOCUMENTS**

- D305,104 S \* 12/1989 Heary ..... D10/105
- D375,272 S \* 11/1996 Heary ..... D10/105
- D487,028 S \* 2/2004 Chung ..... D10/105
- 6,815,606 B1 \* 11/2004 Chung ..... 174/3
- D502,658 S \* 3/2005 Chung ..... D10/105

- D502,659 S \* 3/2005 Chung ..... D10/105
- D511,115 S \* 11/2005 Chung et al. .... D10/105
- 2004/0105211 A1 \* 6/2004 Chung ..... 361/220

\* cited by examiner

*Primary Examiner*—Robert M. Spear

*Assistant Examiner*—George D Kirschbaum

(74) *Attorney, Agent, or Firm*—Kenyon & Kenyon LLP

(57) **CLAIM**

The ornamental design for a lightning rod, as shown and described.

**DESCRIPTION**

FIG. 1 is a front perspective view of a lightning rod showing our new design;

FIG. 2 is a front view thereof;

FIG. 3 is a rear view thereof;

FIG. 4 is a left side view thereof;

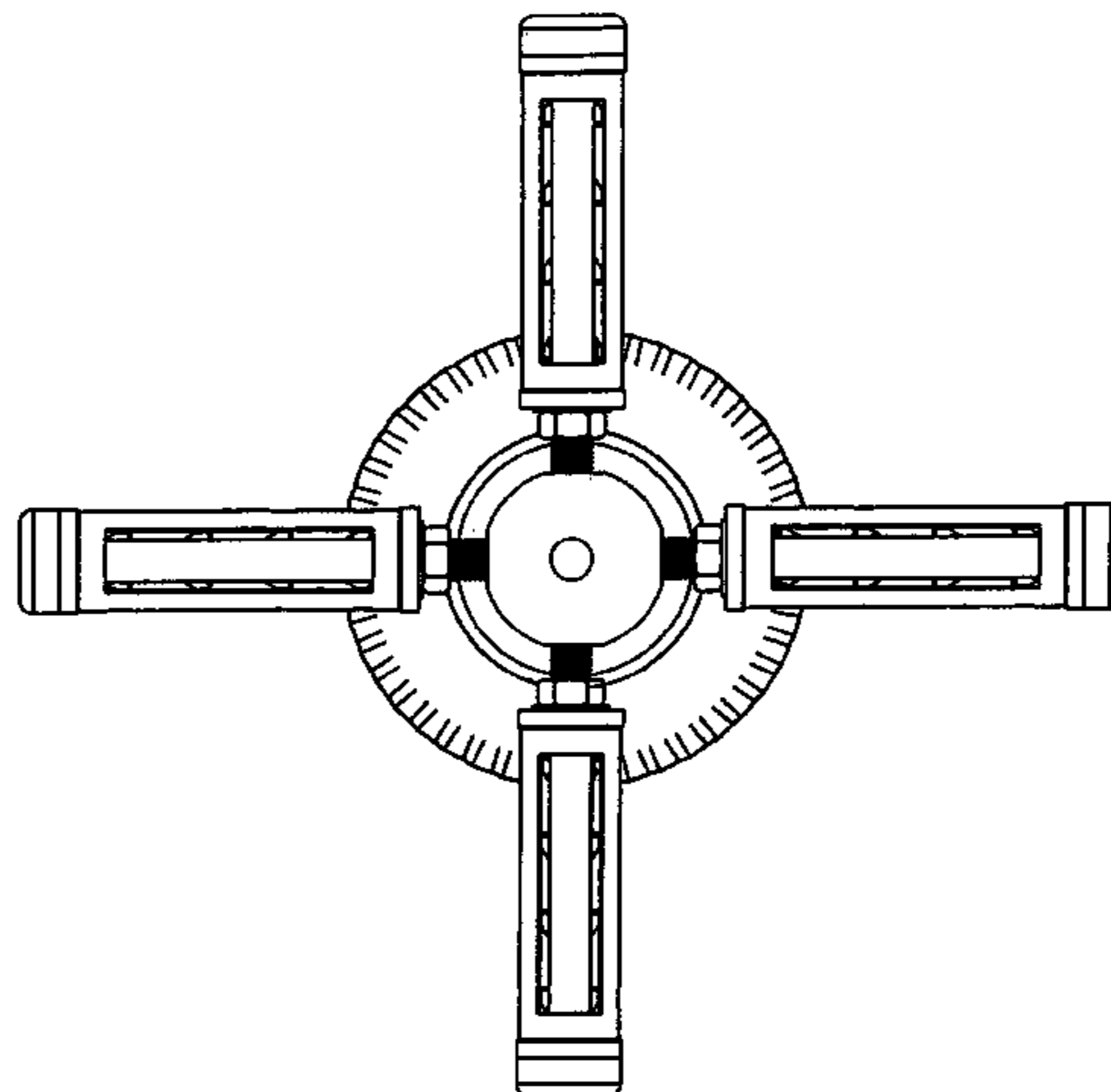
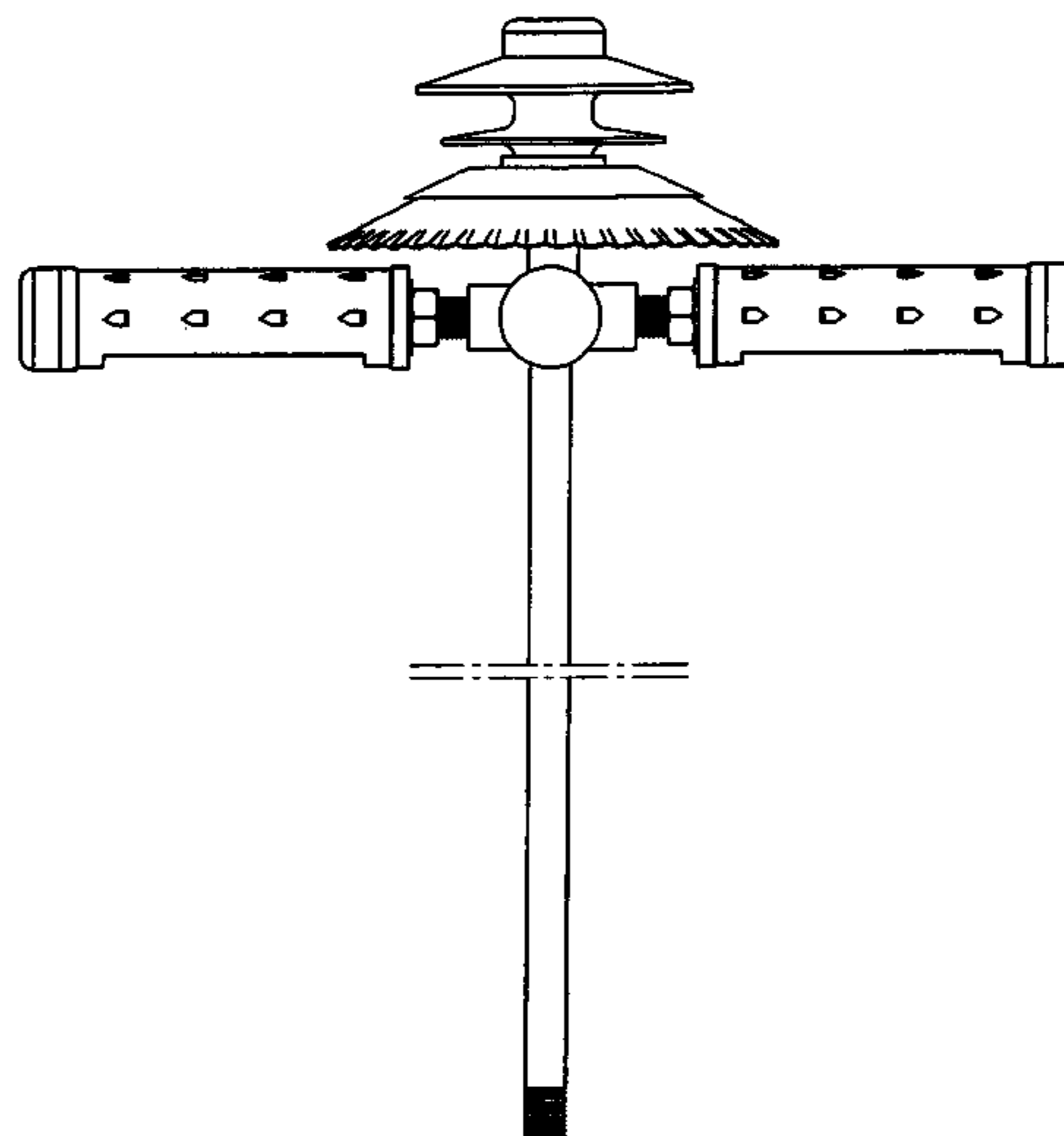
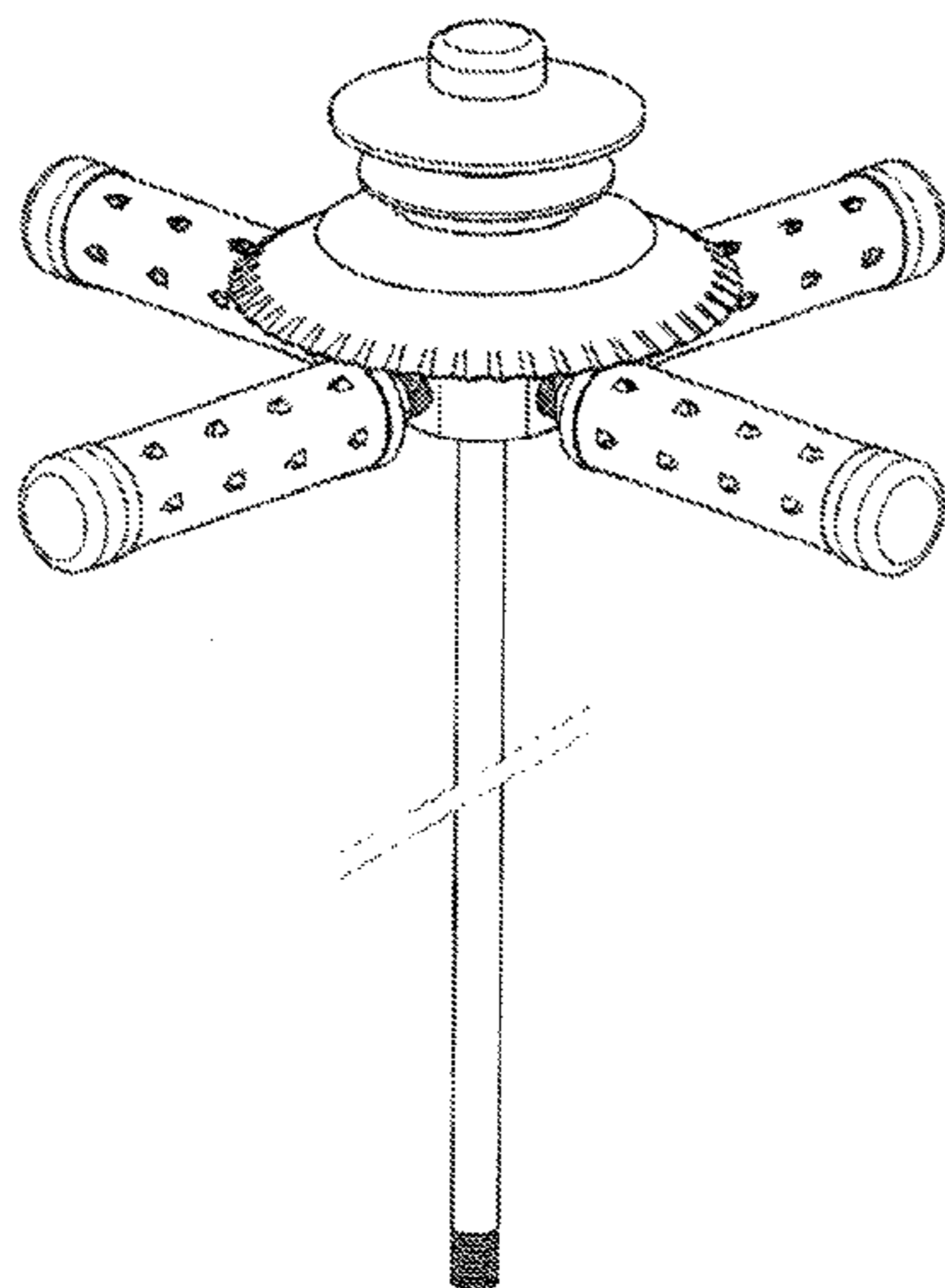
FIG. 5 is a right side view thereof;

FIG. 6 is a top view thereof; and,

FIG. 7 is a bottom view thereof.

The broken lines in the drawings show the lightning rod shaft broken away to indicate it has no specific length.

**1 Claim, 7 Drawing Sheets**



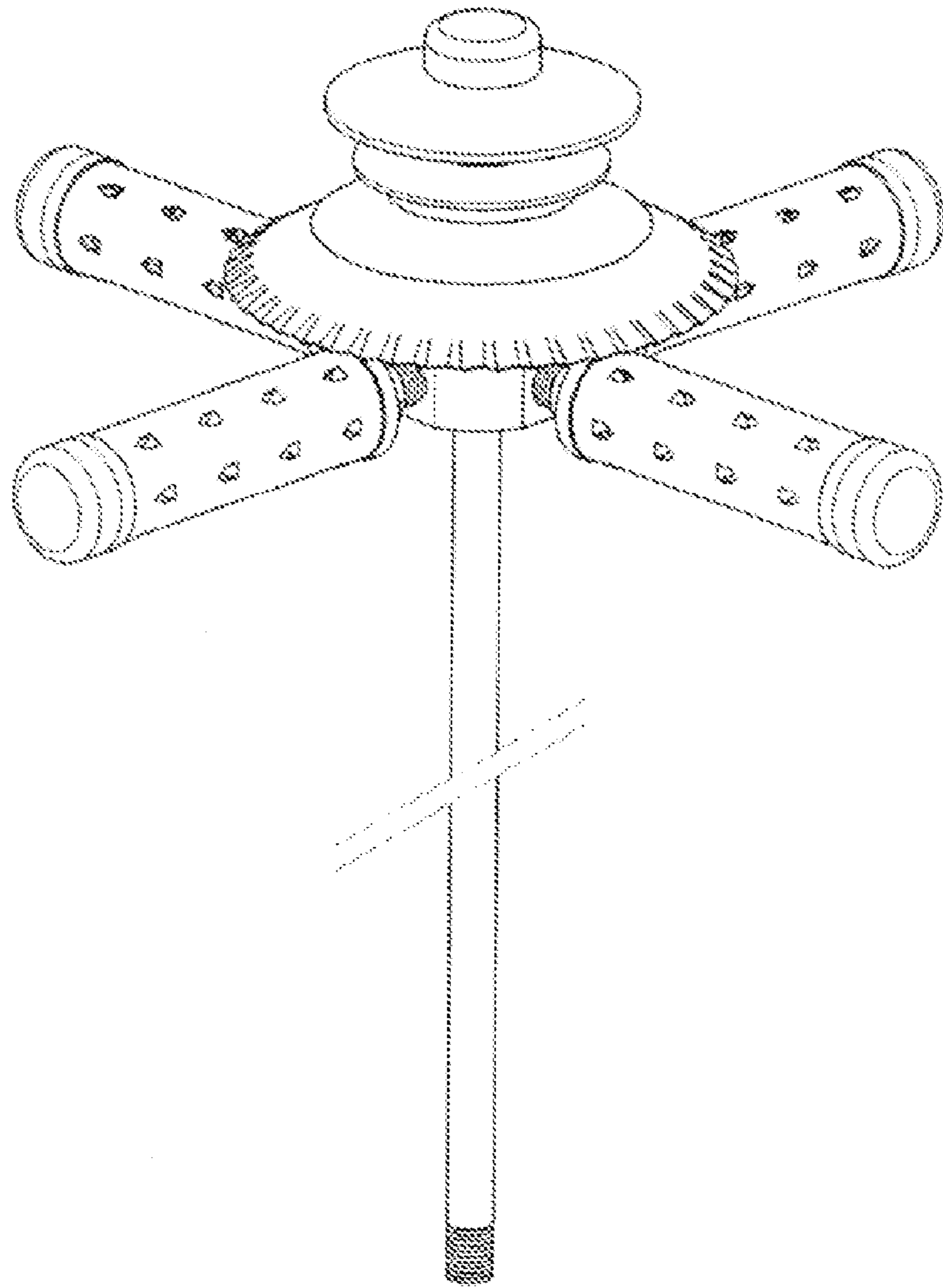


FIG.1

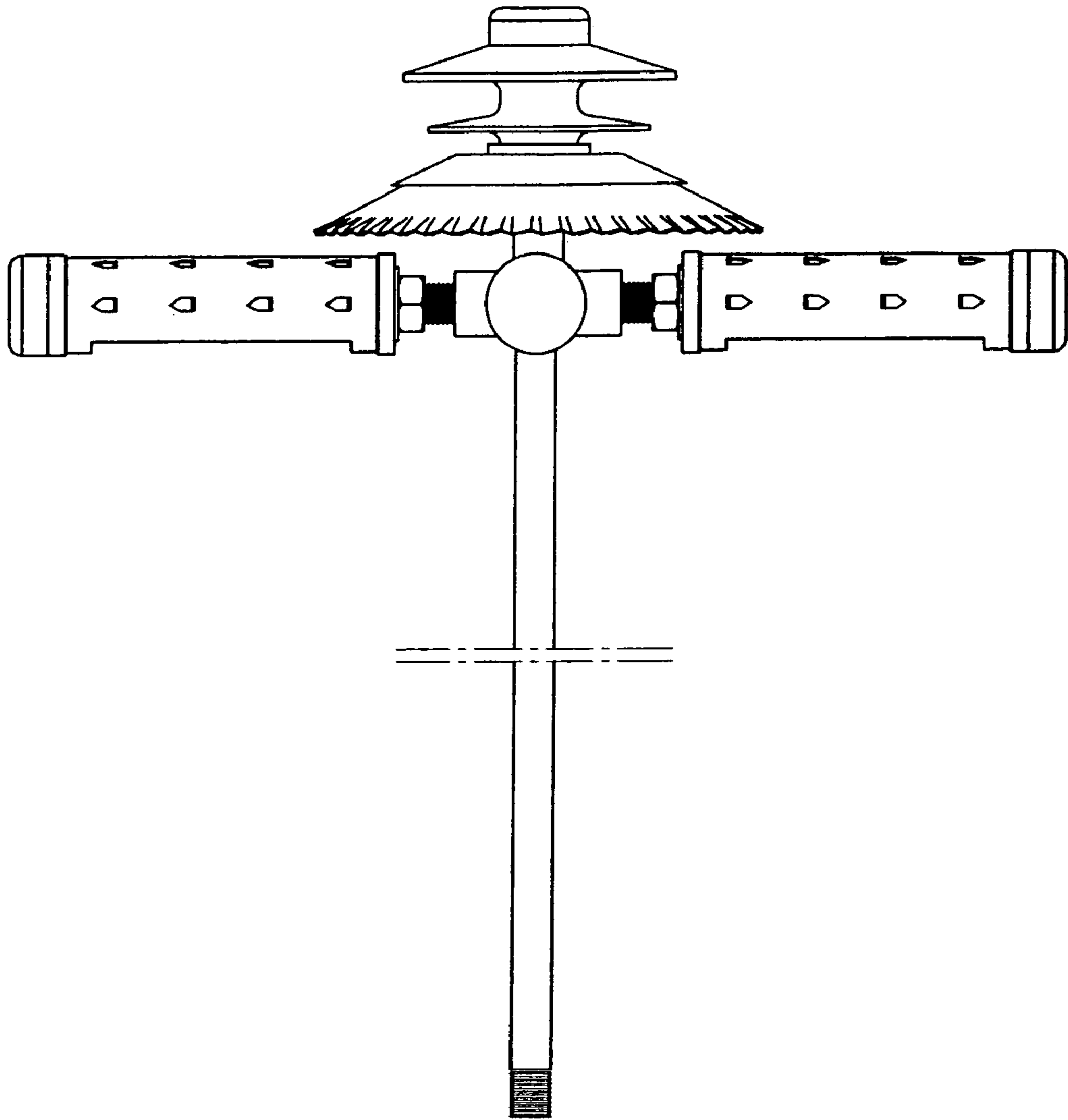


FIG. 2

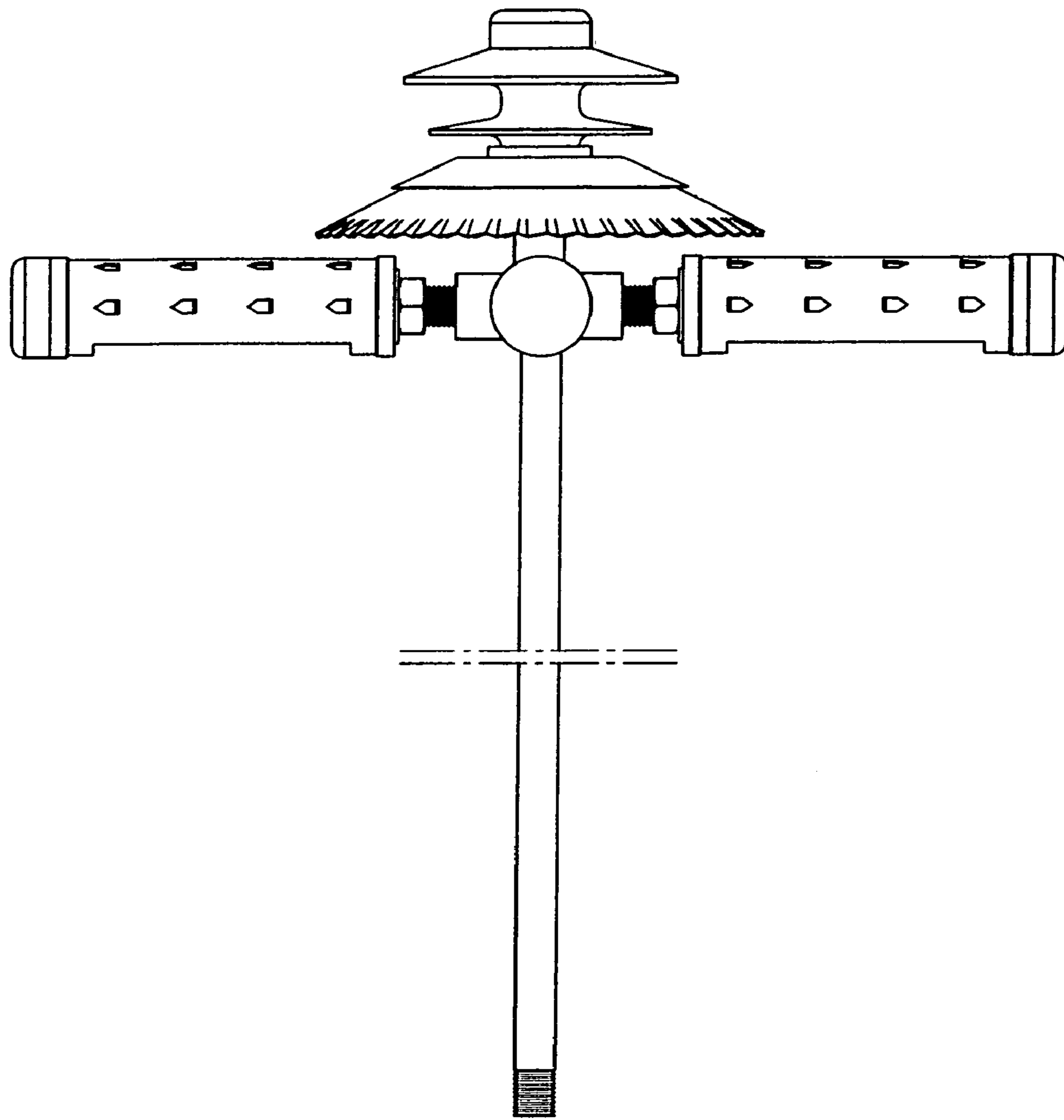


FIG. 3

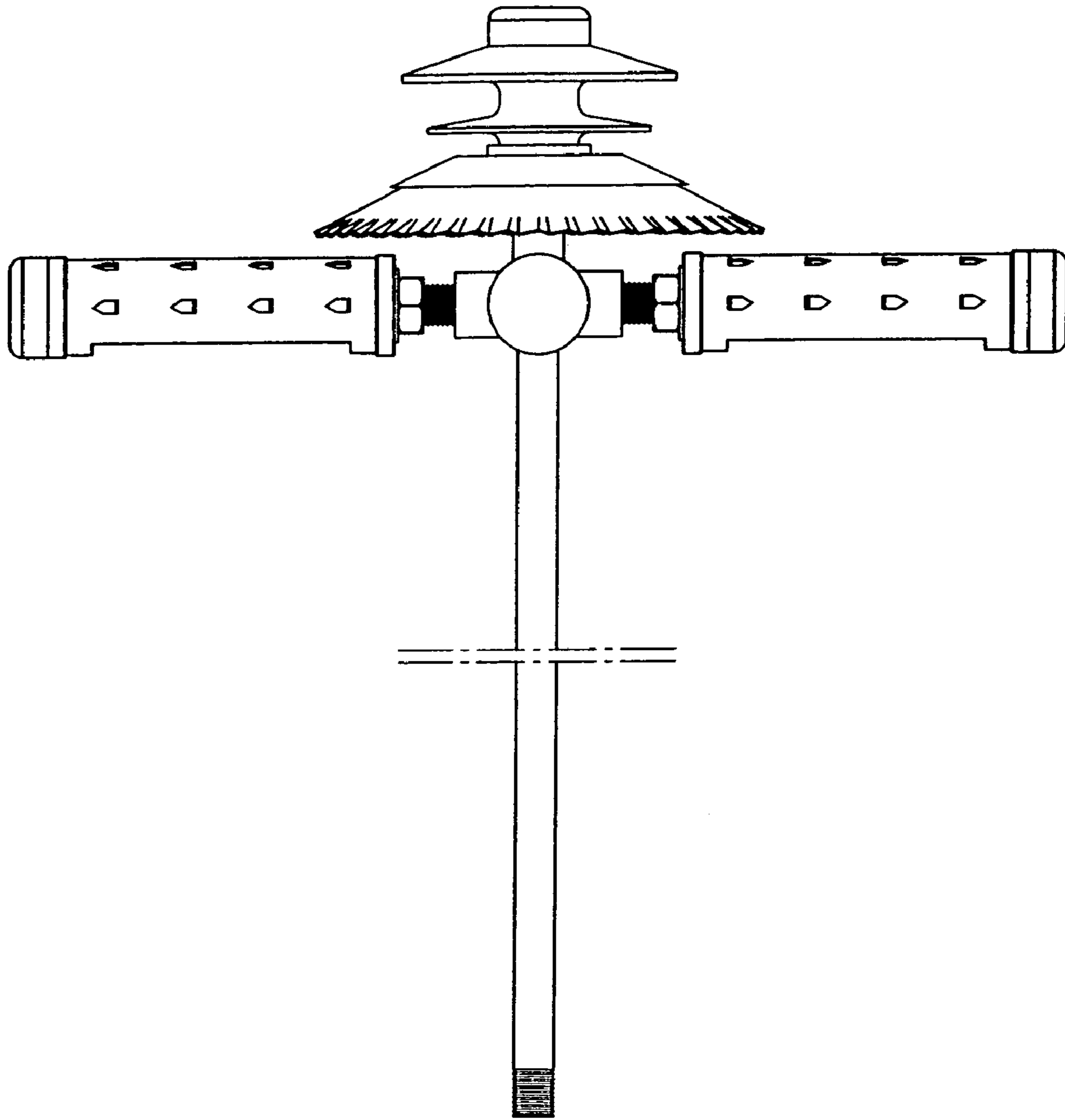


FIG. 4

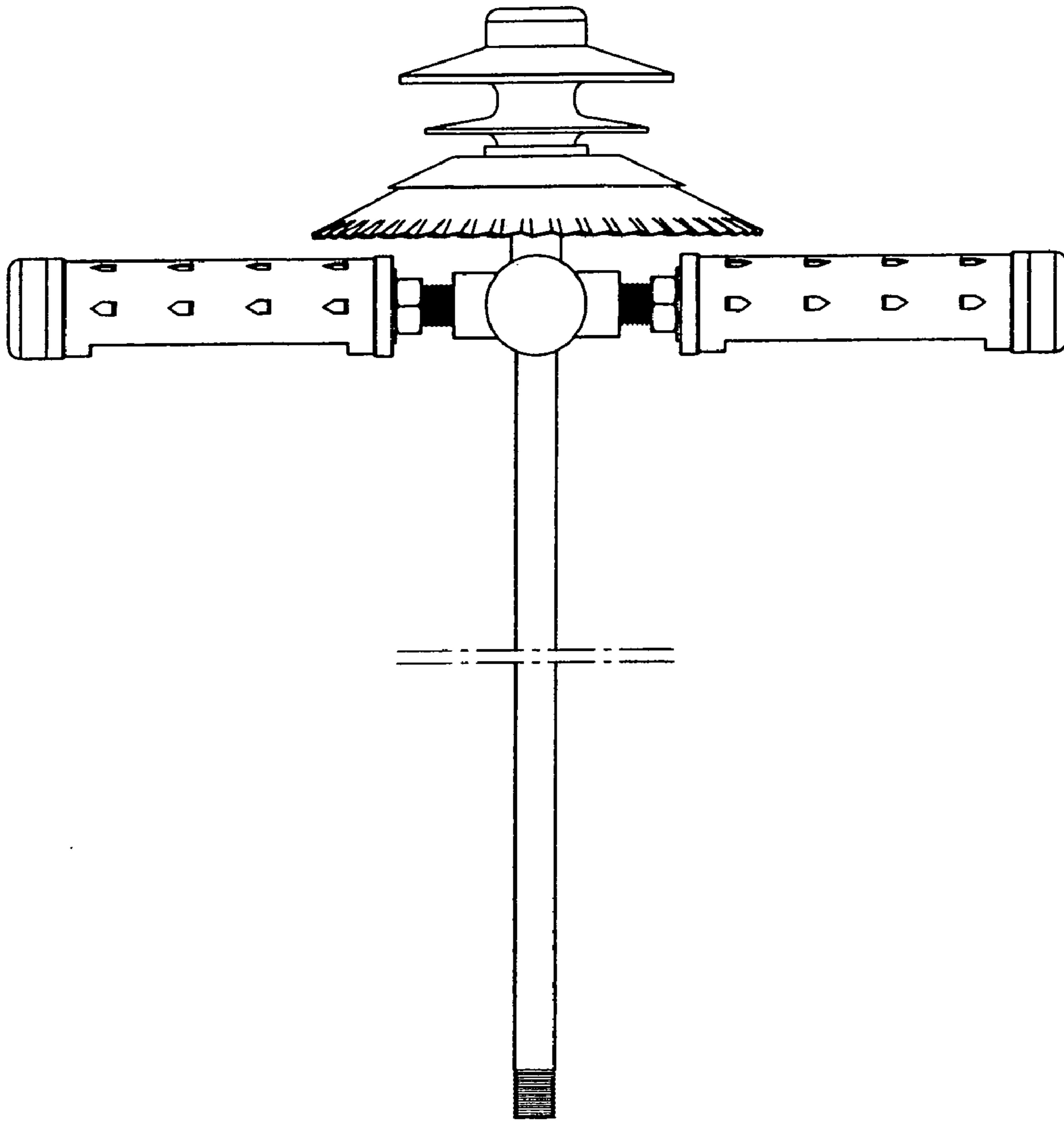
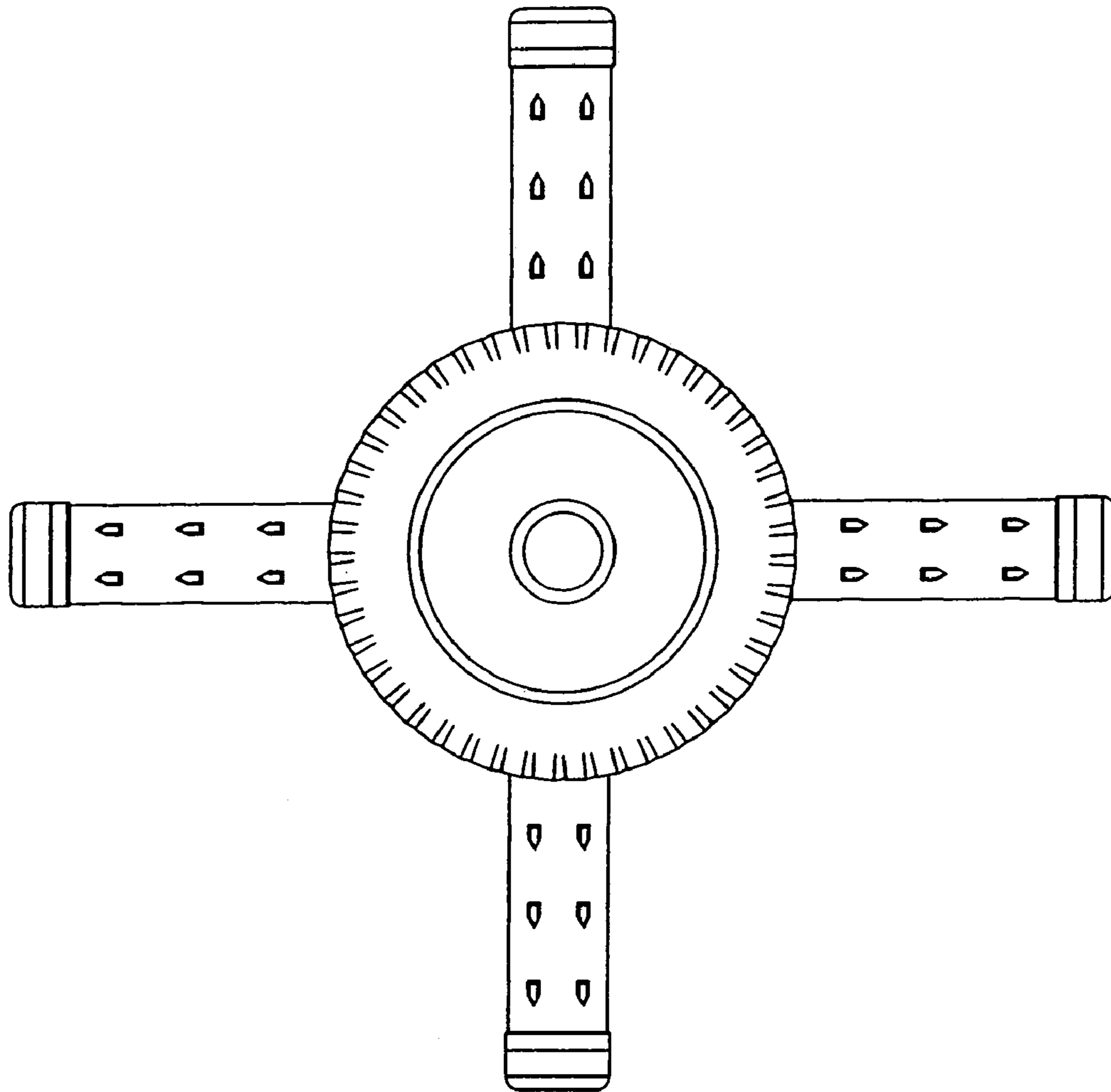


FIG. 5



**FIG. 6**

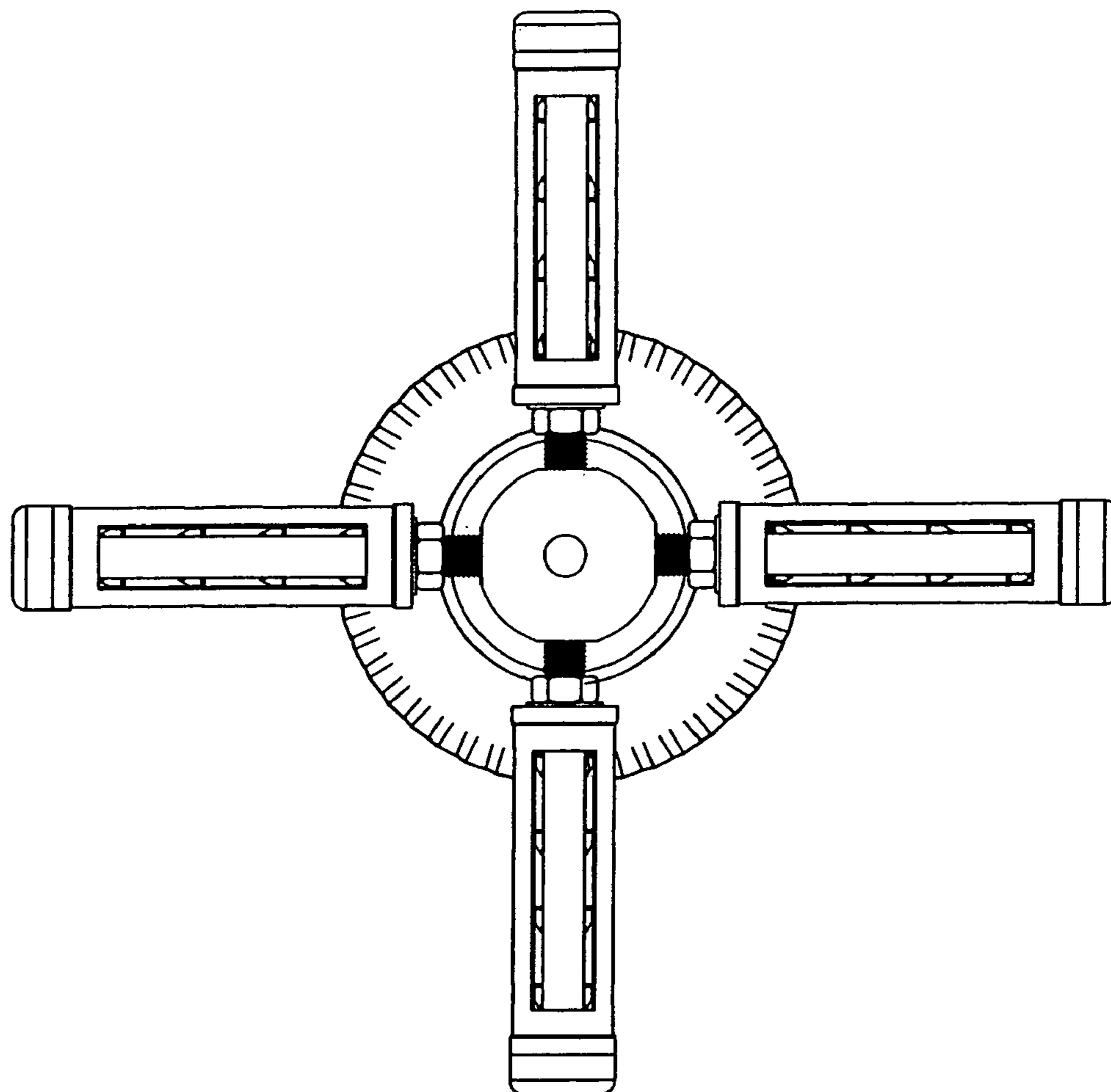


FIG. 7