



US00D558622S

(12) **United States Design Patent**
Hilliker et al.

(10) **Patent No.:** **US D558,622 S**
(45) **Date of Patent:** **** Jan. 1, 2008**

(54) **GAS MONITOR AND REMOTE DISPLAY**
(75) Inventors: **David M Hilliker**, Moon Township, PA (US); **Matthew D Sass**, Pittsburgh, PA (US); **Joseph H Spiegel**, Moon Township, PA (US); **P. Richard Warburton**, Moon Township, PA (US)

6,285,287 B1 * 9/2001 Jones et al. 340/573.1
6,744,373 B2 * 6/2004 Koyano et al. 340/693.5
7,071,832 B2 * 7/2006 Miyamoto et al. 340/632
7,176,805 B2 * 2/2007 Chapman et al. 340/632

* cited by examiner

(73) Assignee: **ChemDAQ Inc**, Pittsburgh, PA (US)

Primary Examiner—Antoine D. Davis
(74) *Attorney, Agent, or Firm*—P. Richard Warburton

(**) Term: **14 Years**

(57) **CLAIM**

(21) Appl. No.: **29/273,488**

The ornamental design for a gas monitor and remote display, as shown and described.

(22) Filed: **Mar. 7, 2007**

(51) **LOC (8) Cl.** **10-04**
(52) **U.S. Cl.** **D10/81**
(58) **Field of Classification Search** 340/693.5, 340/628, 970.73, 632, 633; 702/100; D10/81; 73/1.16, 1.37, 31.07, 31.05, 1.01–1.07, 116, 73/4.5 R, 40.5, 40.7, 31.02, 23.2, 863.01, 73/864.73, 23.31; 324/464, 465, 514
See application file for complete search history.

DESCRIPTION

FIG. 1 is a front view of a gas monitor showing our new design;
FIG. 2 is a front left side elevational view thereof;
FIG. 3 is a front right side elevational view thereof;
FIG. 4 is a front view of the remote display; and,
FIG. 5 is a front right side elevational view of the remote display.

(56) **References Cited**

U.S. PATENT DOCUMENTS

D282,531 S * 2/1986 Schmidt et al. D10/46

1 Claim, 3 Drawing Sheets

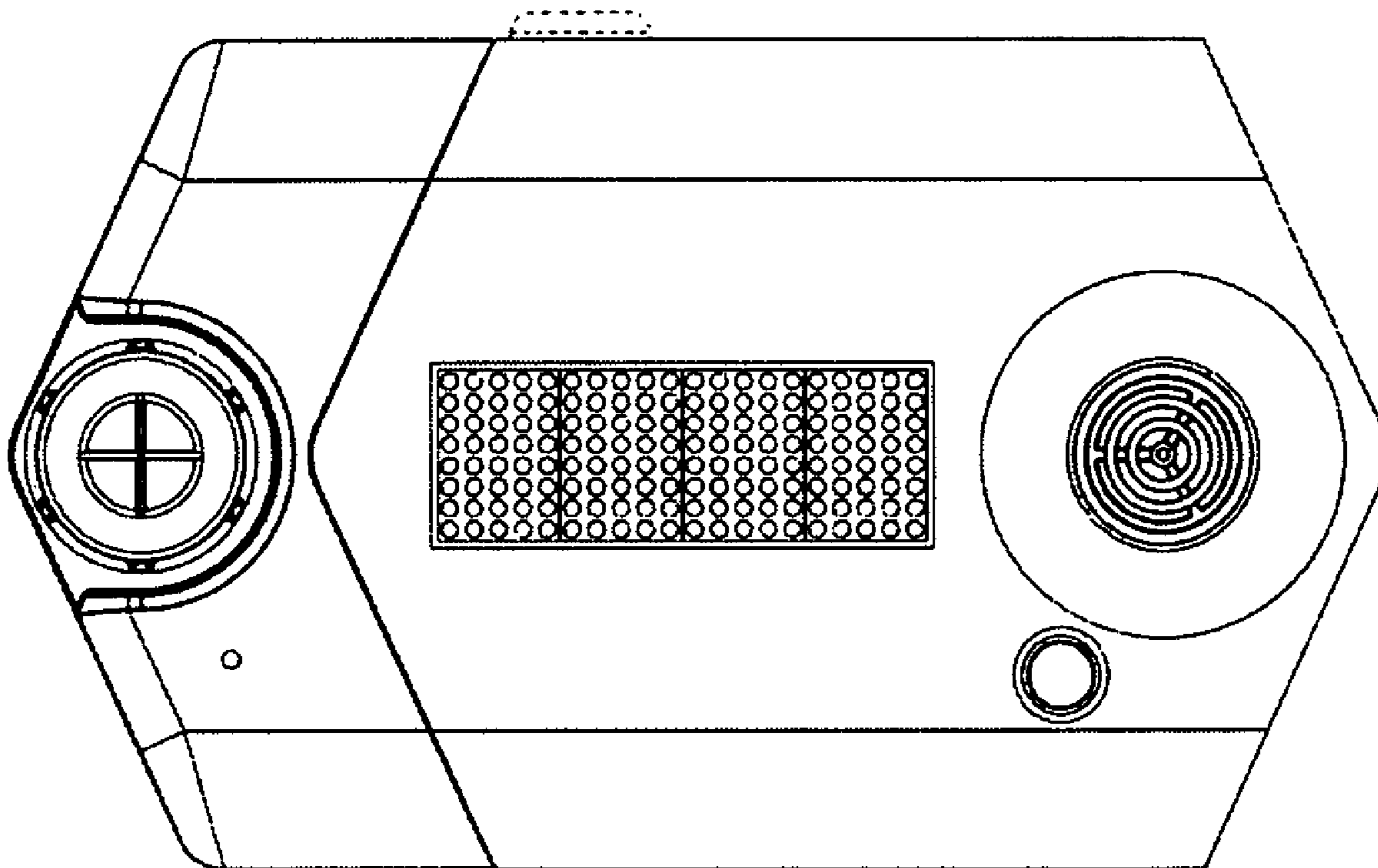


Figure 1

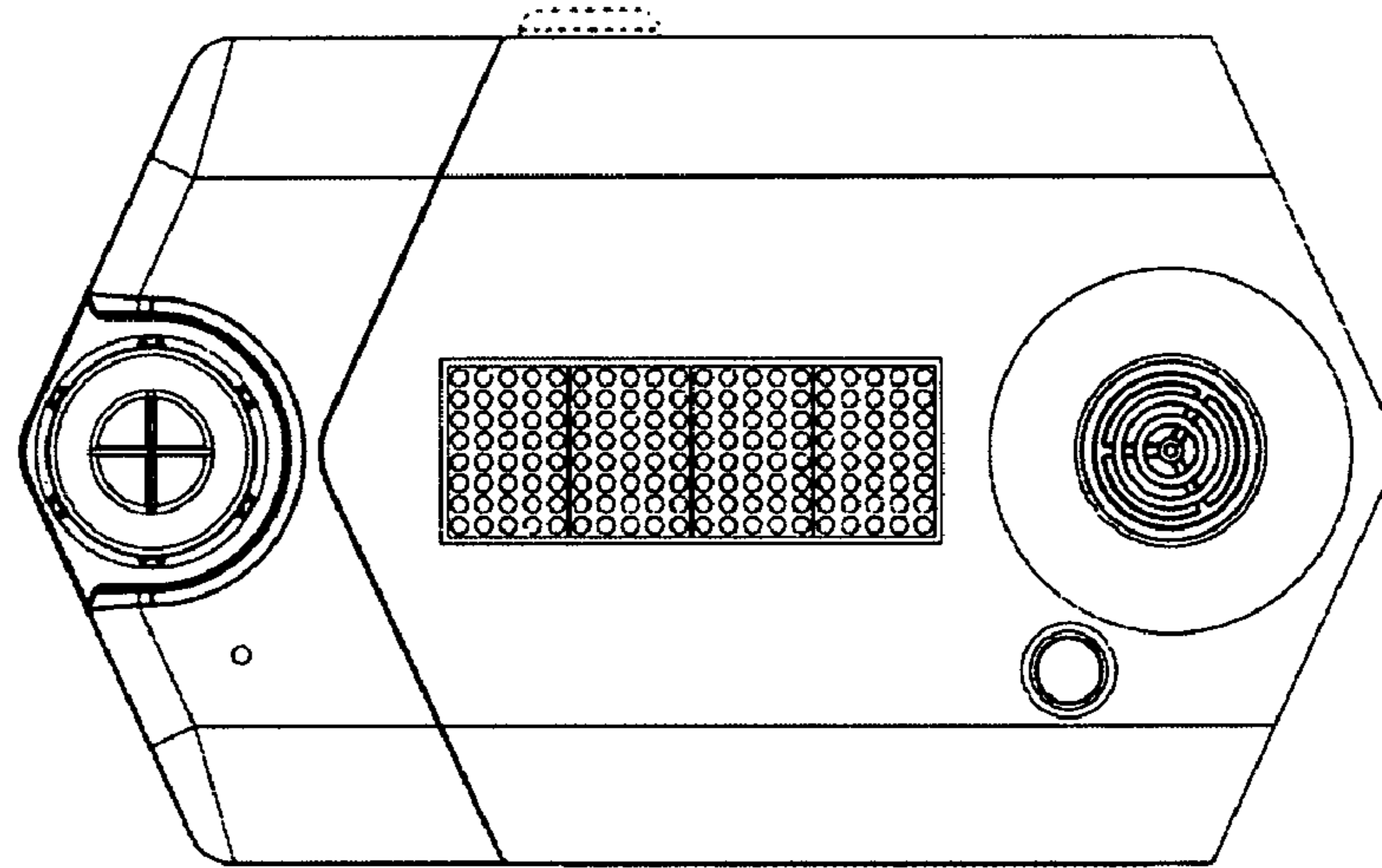


Figure 2

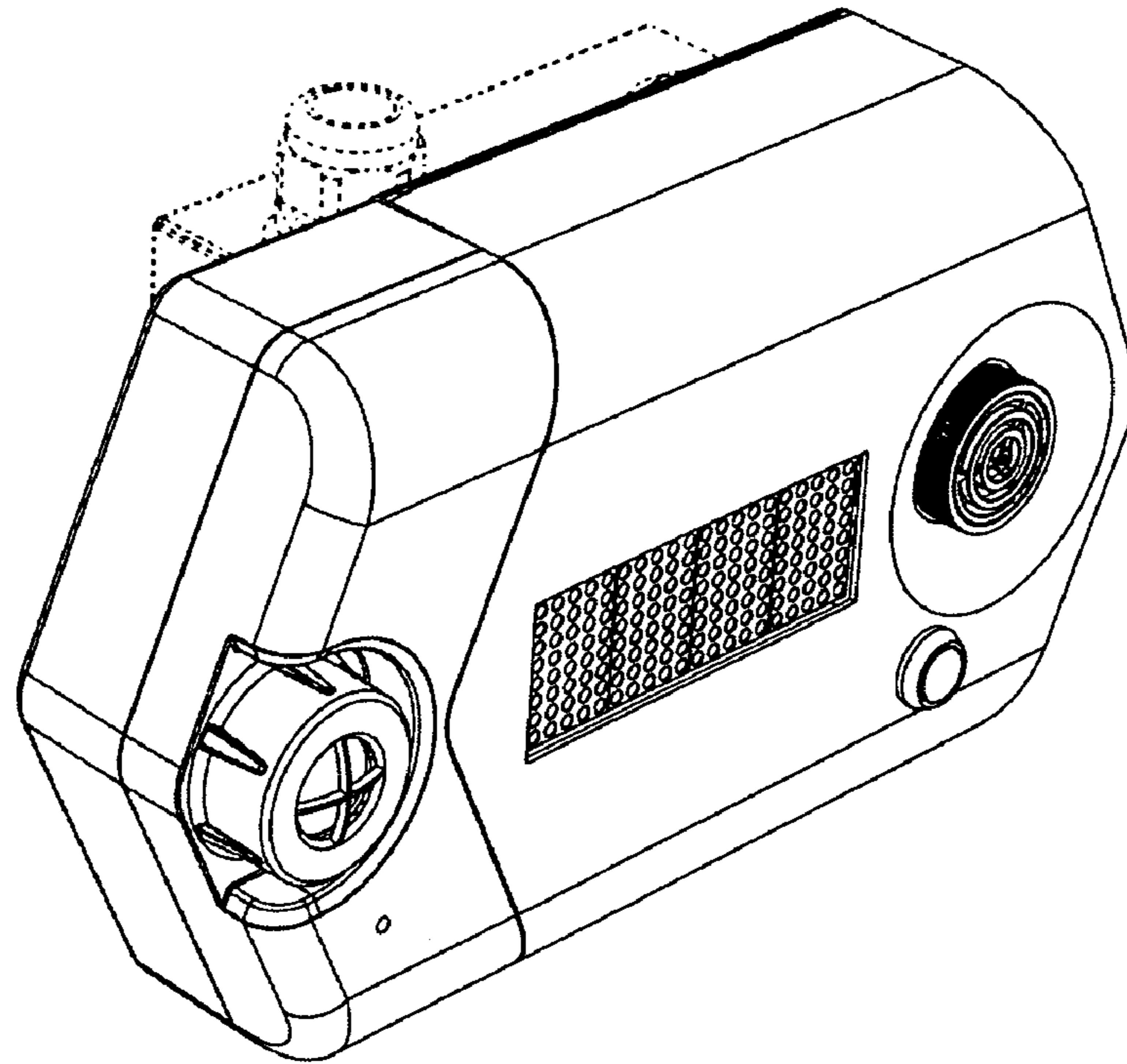


Figure 3

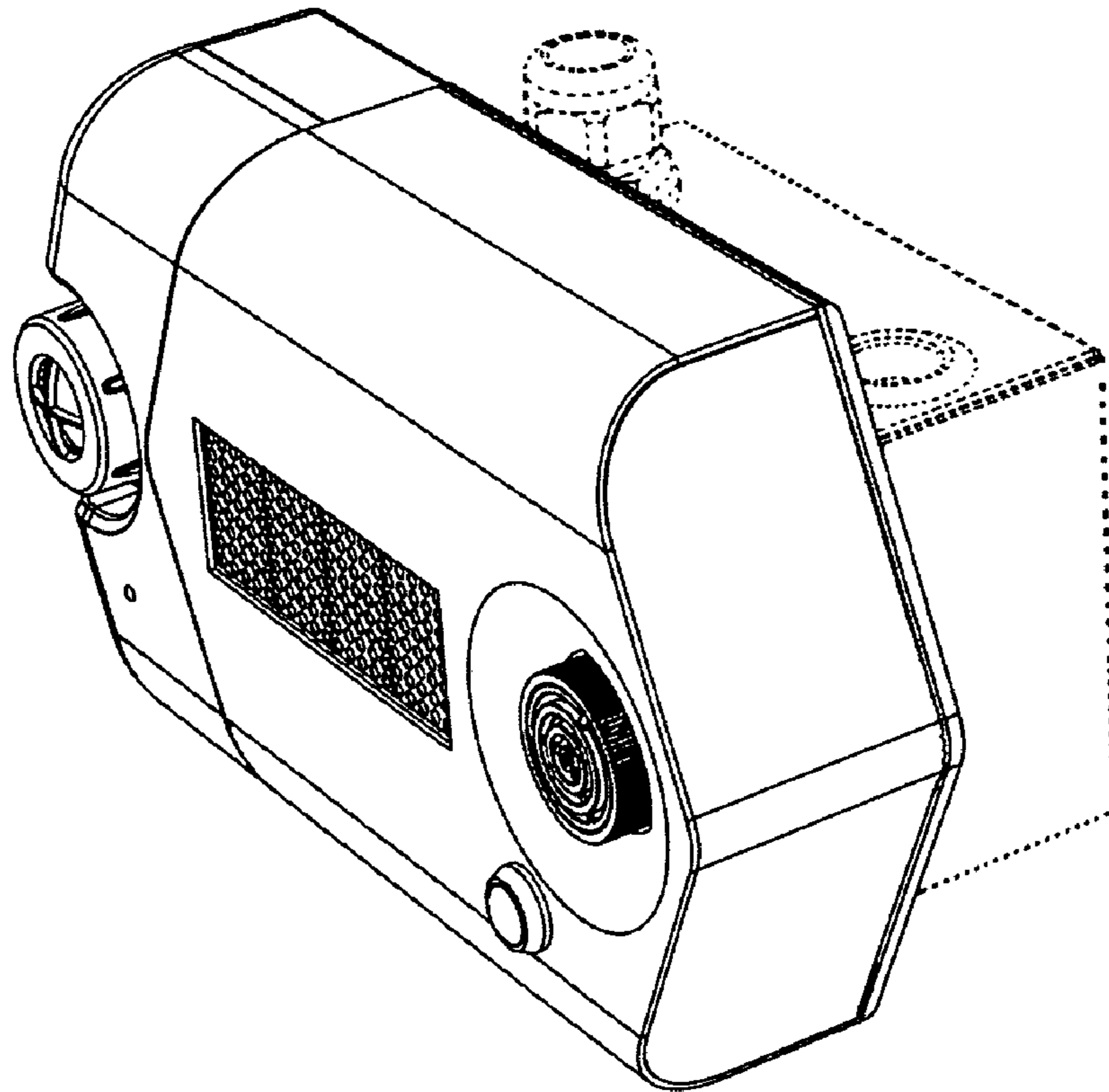


Figure 4

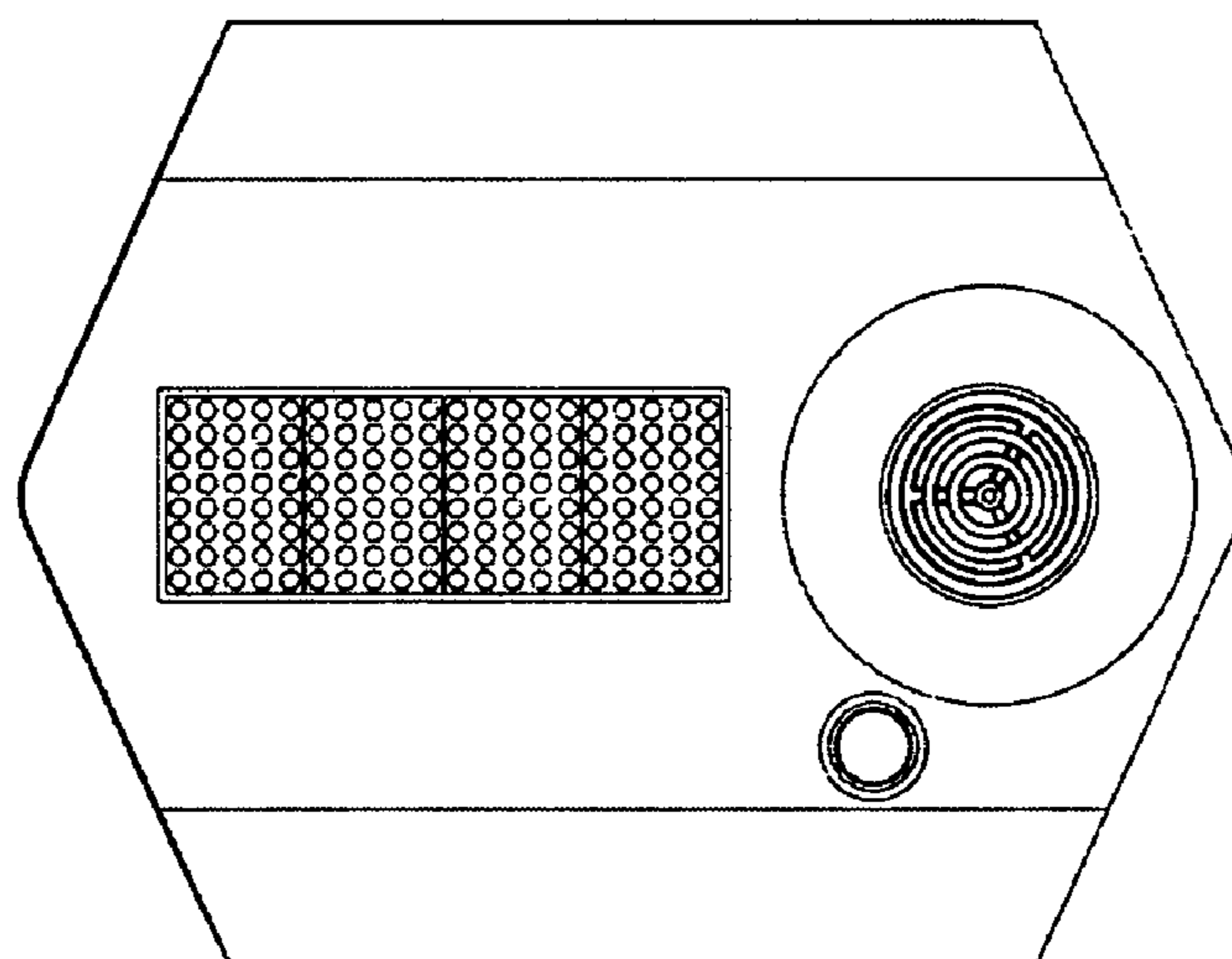


Figure 5

