



US00D558617S

(12) **United States Design Patent**
Hill et al.

(10) **Patent No.:** **US D558,617 S**
(45) **Date of Patent:** **** Jan. 1, 2008**

- (54) **REMOTE ELECTRICAL TIMER** 5,397,930 A * 3/1995 Nilssen 307/150
D378,357 S 3/1997 Chan
- (75) Inventors: **Ambreese S. Hill**, Jacksonville, FL D378,499 S 3/1997 Chan
(US); **Robert Schultz**, Memphis, TN D380,397 S 7/1997 Chan
(US); **Nicole Ashley Moody**, Memphis, TN (US) D381,589 S 7/1997 Chan
D382,820 S 8/1997 Chan
- (73) Assignee: **Hunter Fan Company**, Memphis, TN 5,699,320 A * 12/1997 Wan 368/10
(US) D389,753 S * 1/1998 Wan D10/40
6,095,850 A * 8/2000 Liu 439/488
6,167,000 A * 12/2000 Chow 368/107
6,356,425 B1 * 3/2002 Jung 361/93.8
D467,821 S 12/2002 Ogawa
- (**) Term: **14 Years** 6,625,089 B2 * 9/2003 Stekelenburg 368/107
- (21) Appl. No.: **29/277,747**
- (22) Filed: **Mar. 8, 2007**

(Continued)

Primary Examiner—Lucy Lieberman
(74) *Attorney, Agent, or Firm*—Baker Donelson

- (51) **LOC (8) Cl.** **10-03**
- (52) **U.S. Cl.** **D10/40**
- (58) **Field of Classification Search** D10/40,
D10/106; D13/138.1, 137.1, 137.3, 139.8,
D13/139.6, 162, 162.1; 368/97–100, 107,
368/110–113; 307/141, 141.4; 439/650–653;
200/33 R, 38 R

See application file for complete search history.

(57) **CLAIM**

The ornamental design for a remote electrical timer, as shown and described.

DESCRIPTION

FIG. 1 is a perspective view of a remote electrical timer showing our new design.

FIG. 2 is a bottom plan view thereof.

FIG. 3 is a top plan view thereof.

FIG. 4 is a right side view thereof.

FIG. 5 is a left side view thereof.

FIG. 6 is a front view thereof; and,

FIG. 7 is a rear view thereof.

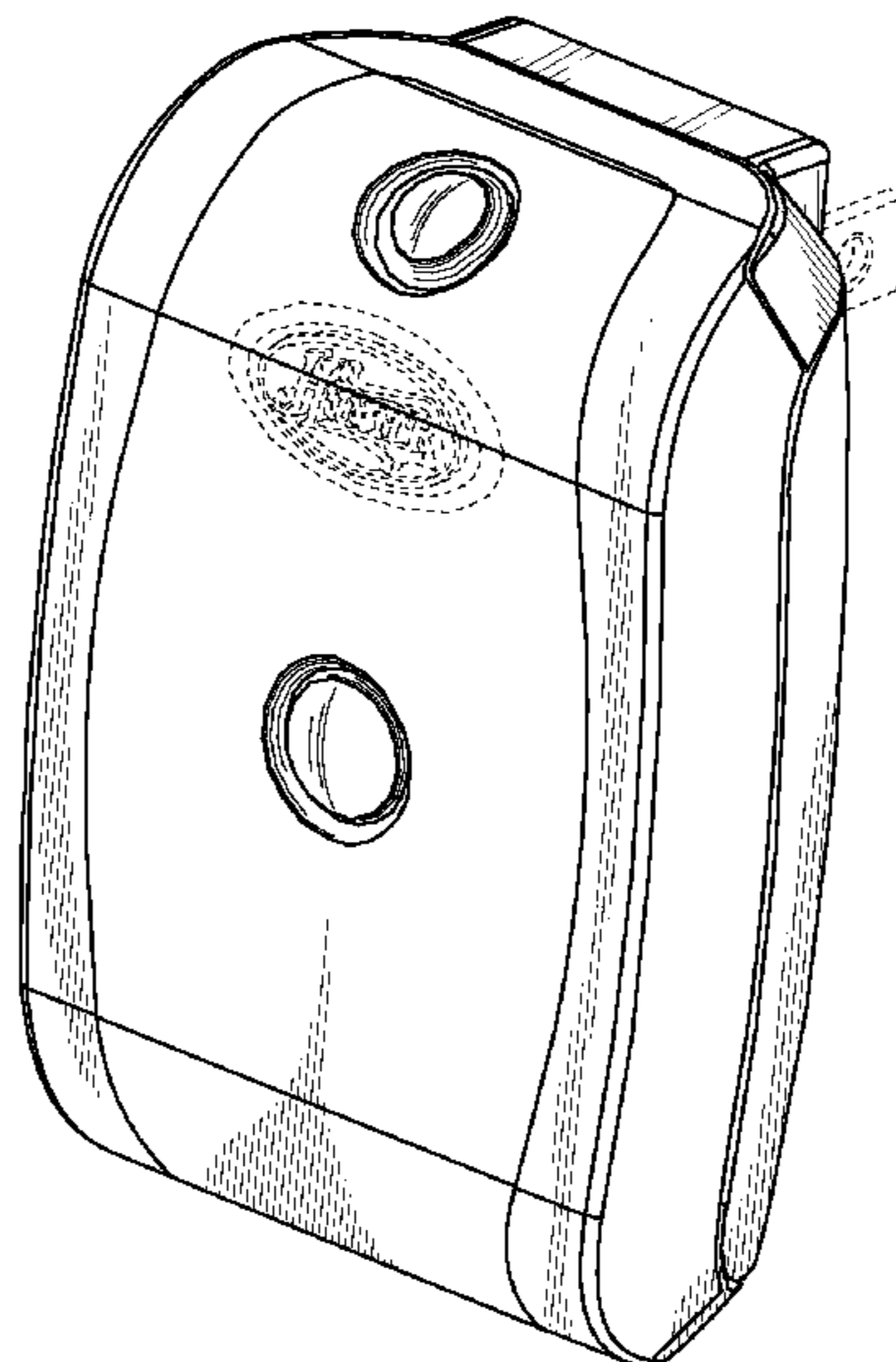
The broken lines in the views show environmental features which are for illustrative purposes only and form no part of the claimed design.

(56) **References Cited**

U.S. PATENT DOCUMENTS

- D216,017 S * 11/1969 Podall D10/40
- 3,728,500 A * 4/1973 Ingram 200/38 FB
- D234,215 S * 1/1975 Felske D10/40
- D241,524 S * 9/1976 Haggstrom D10/40
- 3,997,742 A * 12/1976 Marquis 200/38 FB
- 4,297,546 A * 10/1981 Koch 200/38 R
- 4,311,886 A * 1/1982 Rulseh 200/38 R
- D265,553 S * 7/1982 Joss et al. D10/40
- 4,712,019 A * 12/1987 Nilssen 307/141
- D325,370 S * 4/1992 Belcher D13/137.3
- 5,309,032 A * 5/1994 Nilssen 307/140
- D348,653 S 7/1994 Cheng
- D352,667 S * 11/1994 Chen D10/40

1 Claim, 3 Drawing Sheets



US D558,617 S

Page 2

U.S. PATENT DOCUMENTS

D499,656 S	12/2004	Bhavnani	D534,087 S	12/2006	Stekelenburg	
D510,283 S	10/2005	Bhavnani	D534,439 S	1/2007	Stekelenburg	
D513,999 S	1/2006	Echito et al.	D534,440 S *	1/2007	Stekelenburg D10/40
D514,000 S	1/2006	Echito et al.	D534,441 S	1/2007	Stekelenburg	
D525,539 S	7/2006	Kanbar	D535,201 S *	1/2007	Stekelenburg D10/40
D534,086 S	12/2006	Stekelenburg	D536,269 S	2/2007	Stekelenburg	

* cited by examiner

Fig. 1

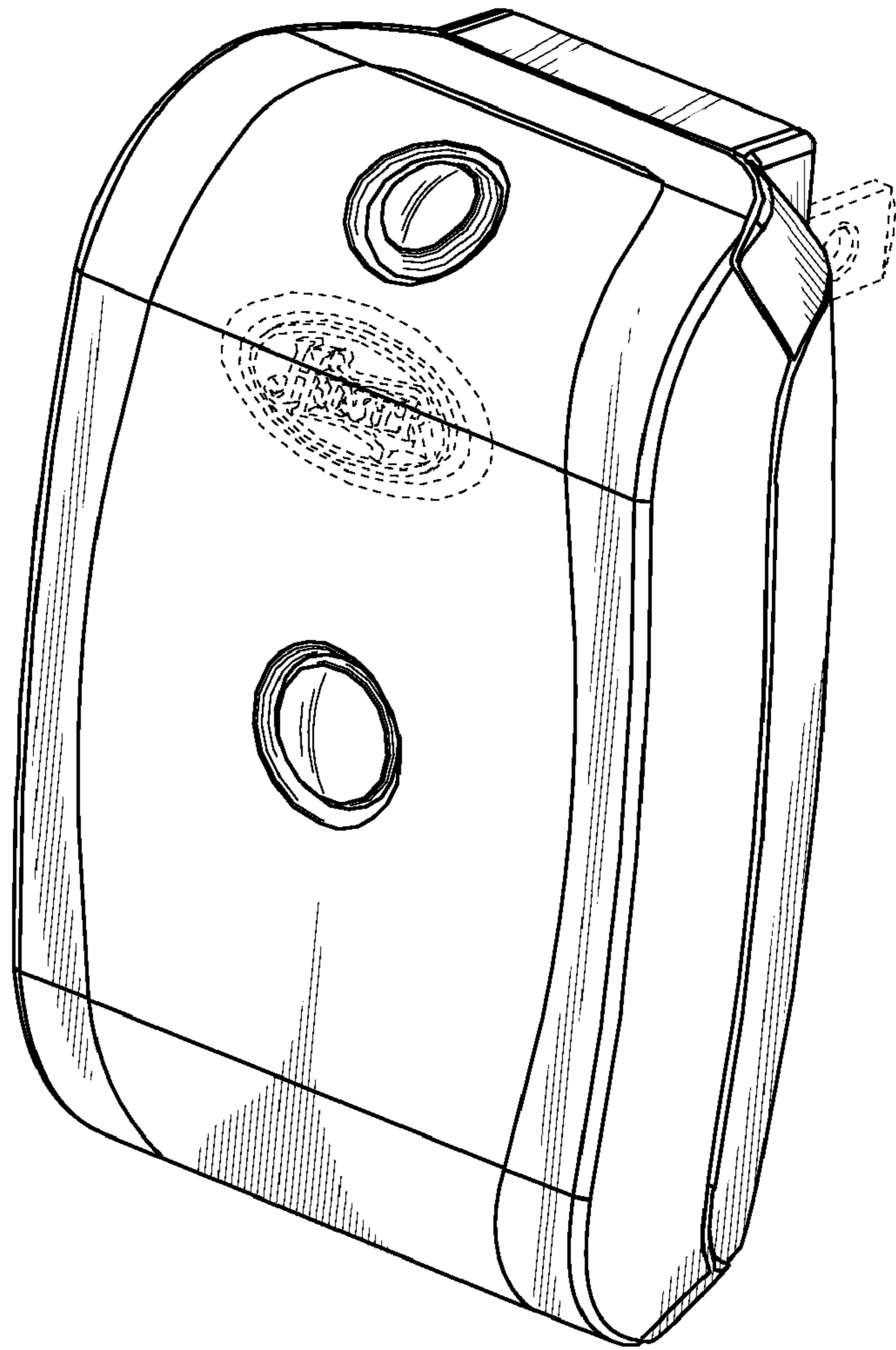


Fig. 2

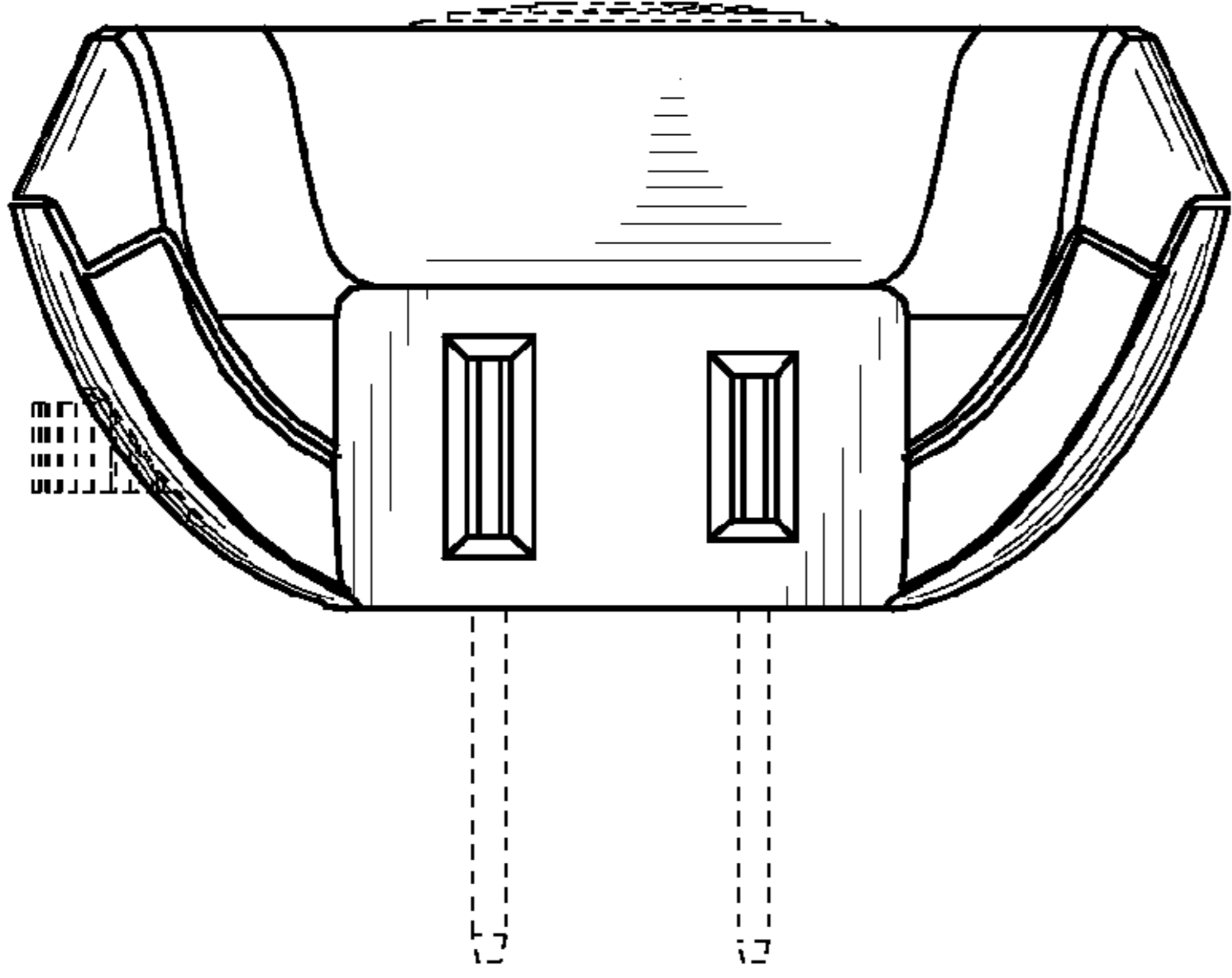


Fig. 3

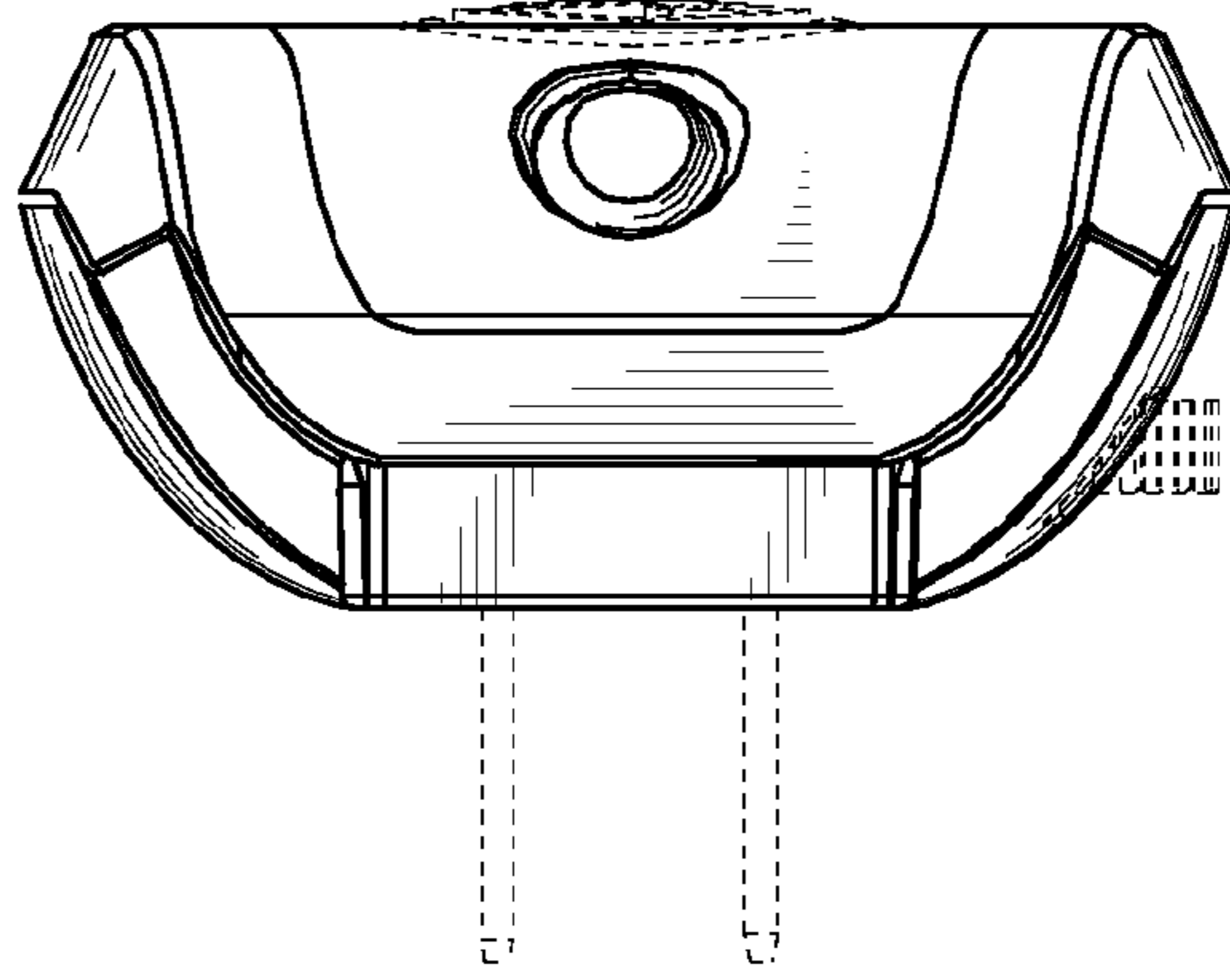


Fig. 4

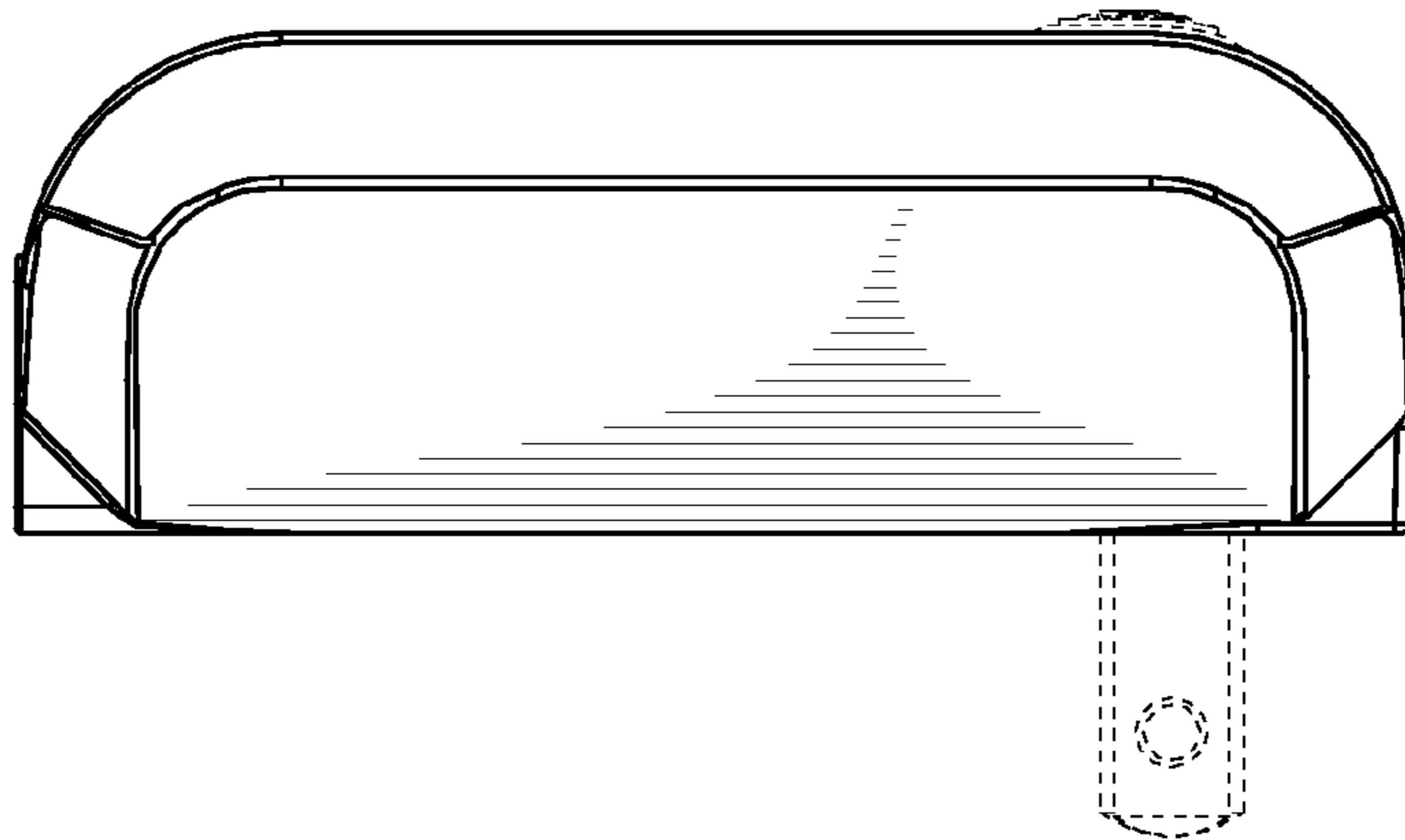


Fig. 5

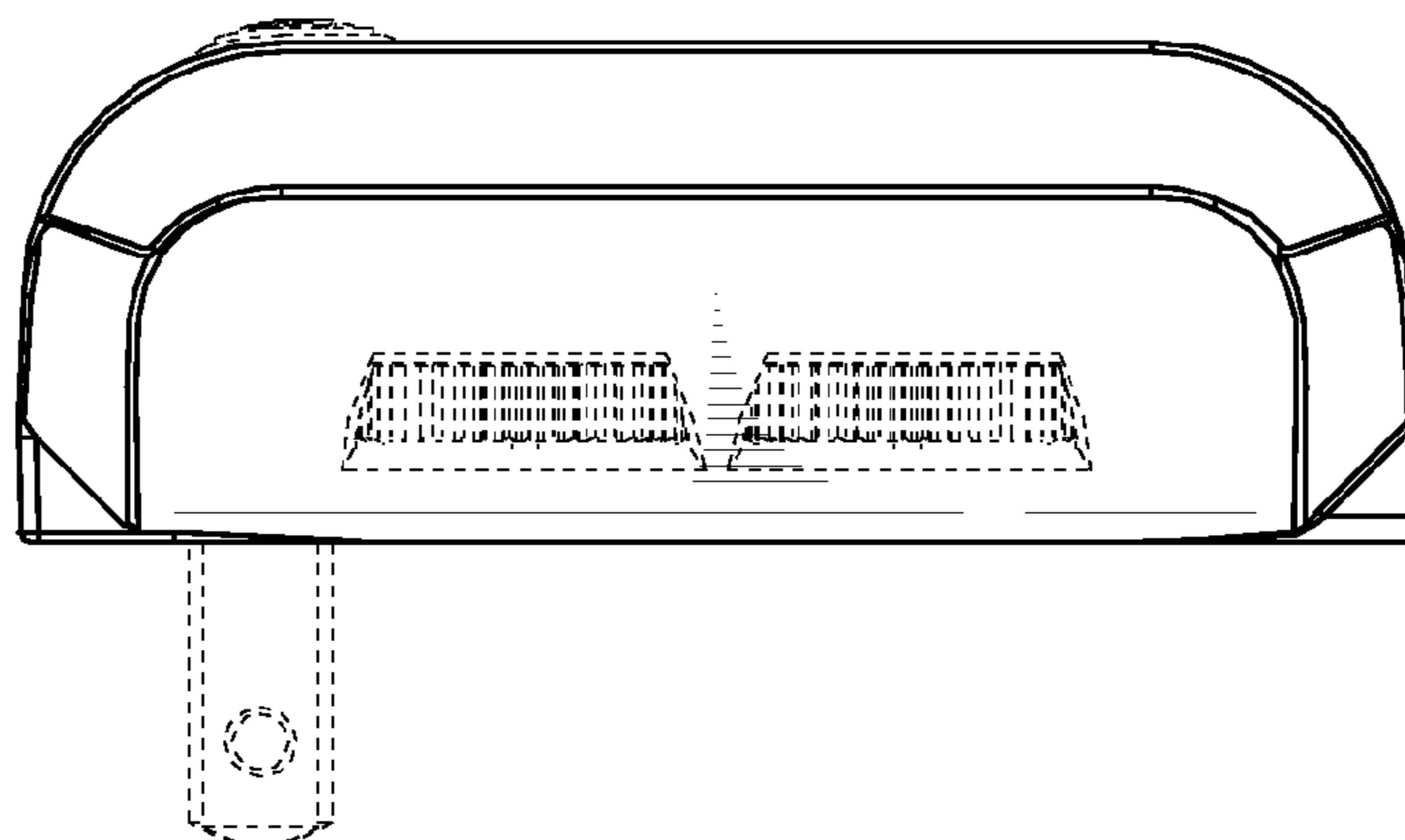


Fig. 6

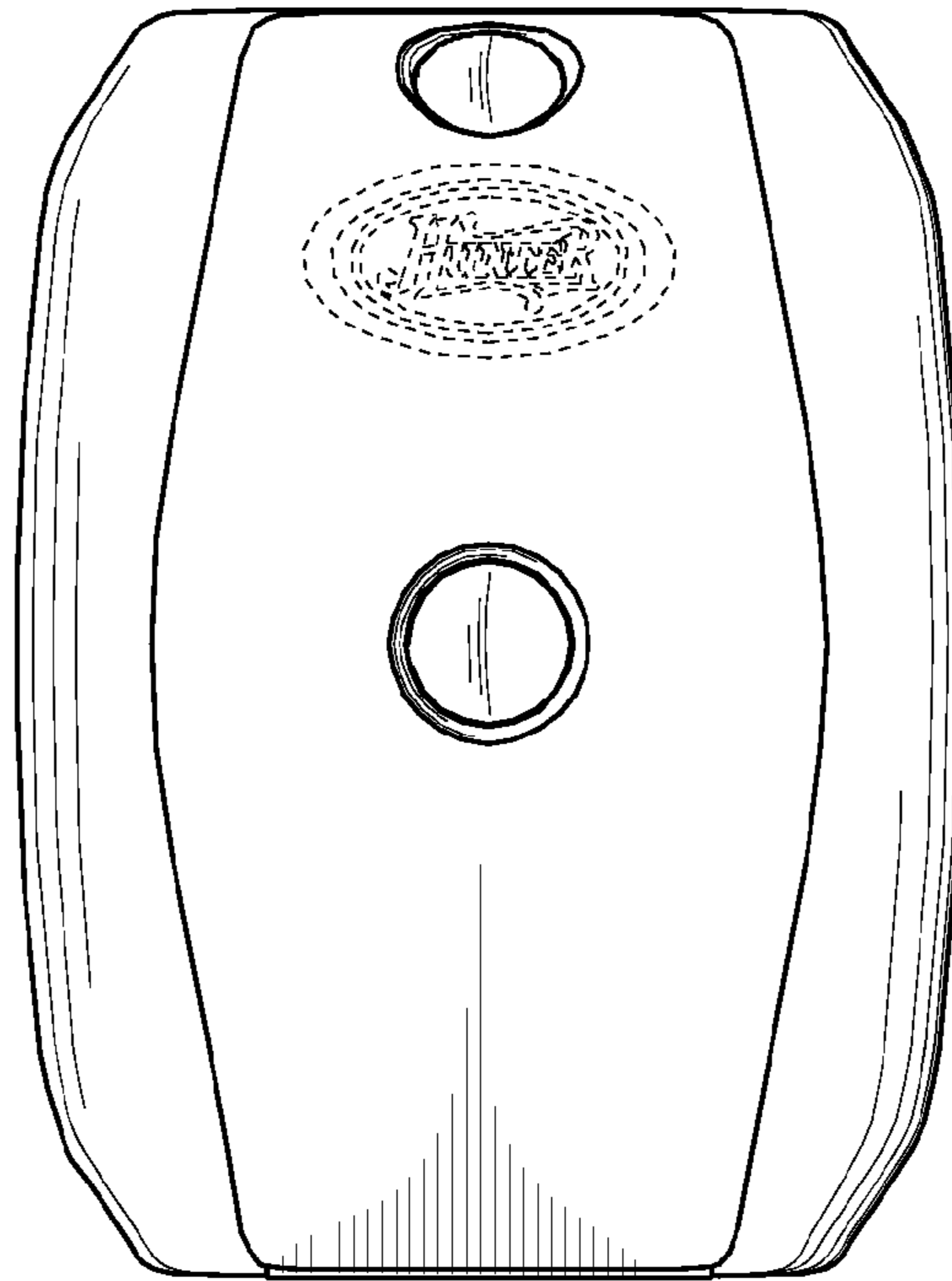


Fig. 7

