



US00D558616S

(12) **United States Design Patent**
Wolf

(10) **Patent No.:** **US D558,616 S**
(45) **Date of Patent:** **** Jan. 1, 2008**

(54) **TIMER**

(75) Inventor: **Justin Wolf**, Pasadena, CA (US)

(73) Assignee: **Bradshaw International, Inc.** CA (US)

(**) Term: **14 Years**

(21) Appl. No.: **29/274,213**

(22) Filed: **Apr. 5, 2007**

(51) **LOC (8) Cl.** **10-03**

(52) **U.S. Cl.** **D10/40**

(58) **Field of Classification Search** D10/40;
368/97-100, 285, 276, 316, 317; 968/811
See application file for complete search history.

(56) **References Cited**

U.S. PATENT DOCUMENTS

D157,882	S	*	3/1950	Lux	D10/40
2,543,032	A	*	2/1951	Laviana	368/98
D163,133	S	*	5/1951	Ornas	D10/40
2,583,245	A	*	1/1952	Valkenburgh et al.	185/38
2,593,905	A	*	4/1952	Lux	368/97
D166,764	S	*	5/1952	Lux et al.	D10/40
2,610,683	A	*	9/1952	Beiser	368/97
2,656,672	A	*	10/1953	Webber	368/99
2,778,418	A	*	1/1957	Laviana	74/3.54
D188,975	S	*	10/1960	Moore	D7/402
D205,856	S	*	9/1966	Beerbaum	D10/40

D208,999	S	*	10/1967	Stalger	D10/40
3,591,956	A	*	7/1971	Draghi	368/100
4,070,820	A	*	1/1978	Lewinter et al.	368/99
D485,501	S	*	1/2004	Wright et al.	D10/40

* cited by examiner

Primary Examiner—Lucy Lieberman

(74) *Attorney, Agent, or Firm*—Birch, Stewart, Kolasch & Birch, LLP

(57) **CLAIM**

The ornamental design for a timer, as shown and described.

DESCRIPTION

FIG. 1 is a front, left perspective view of a timer showing my new design;

FIG. 2 is a front view thereof;

FIG. 3 is a left side view thereof;

FIG. 4 is a right side view thereof;

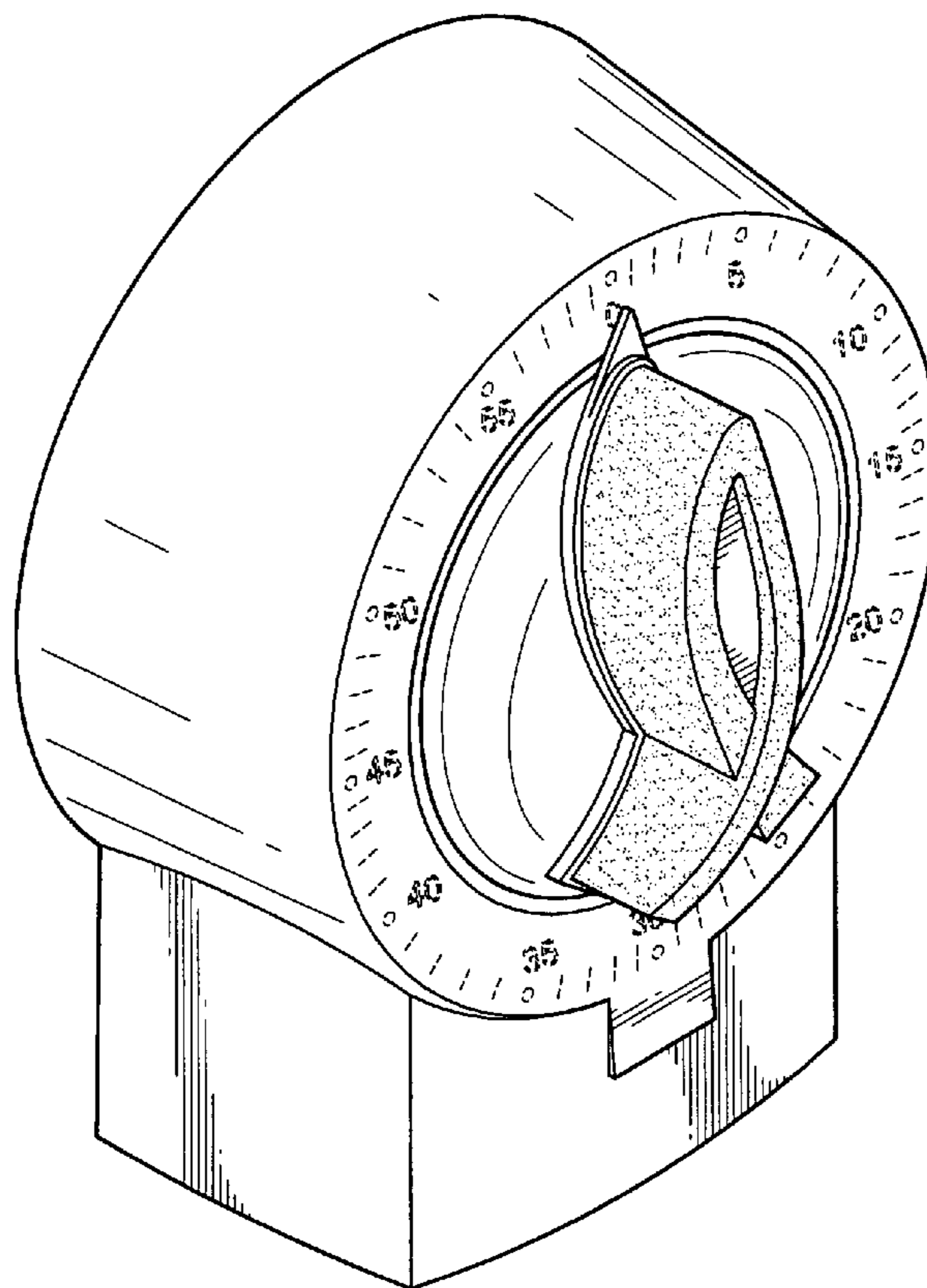
FIG. 5 is a top view thereof; and,

FIG. 6 is a bottom view thereof.

The rear view is unornamented.

The portions of the drawings illustrated in broken lines are for environmental purposes only and form no part of the claimed design.

1 Claim, 5 Drawing Sheets



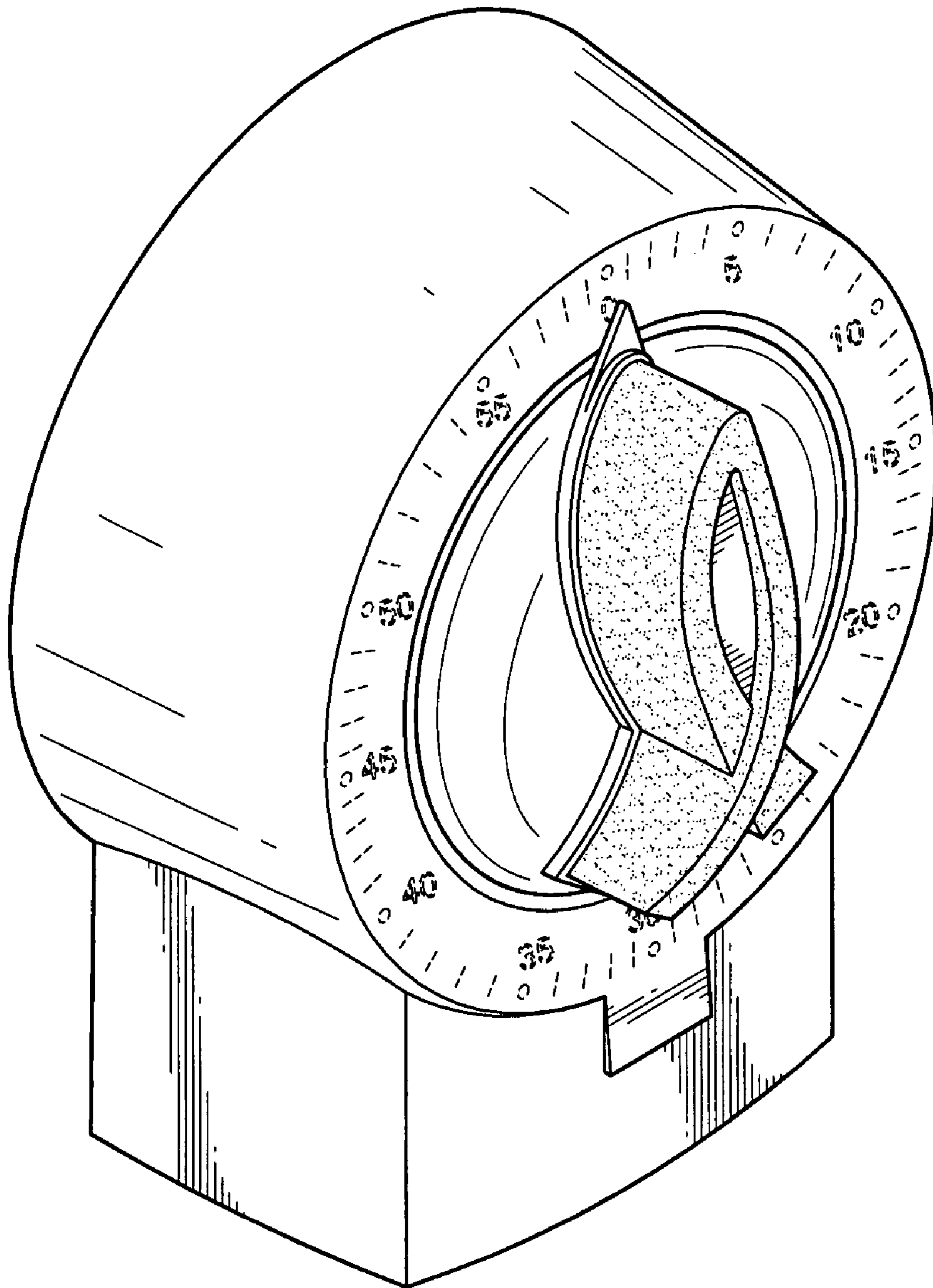


FIG. 1

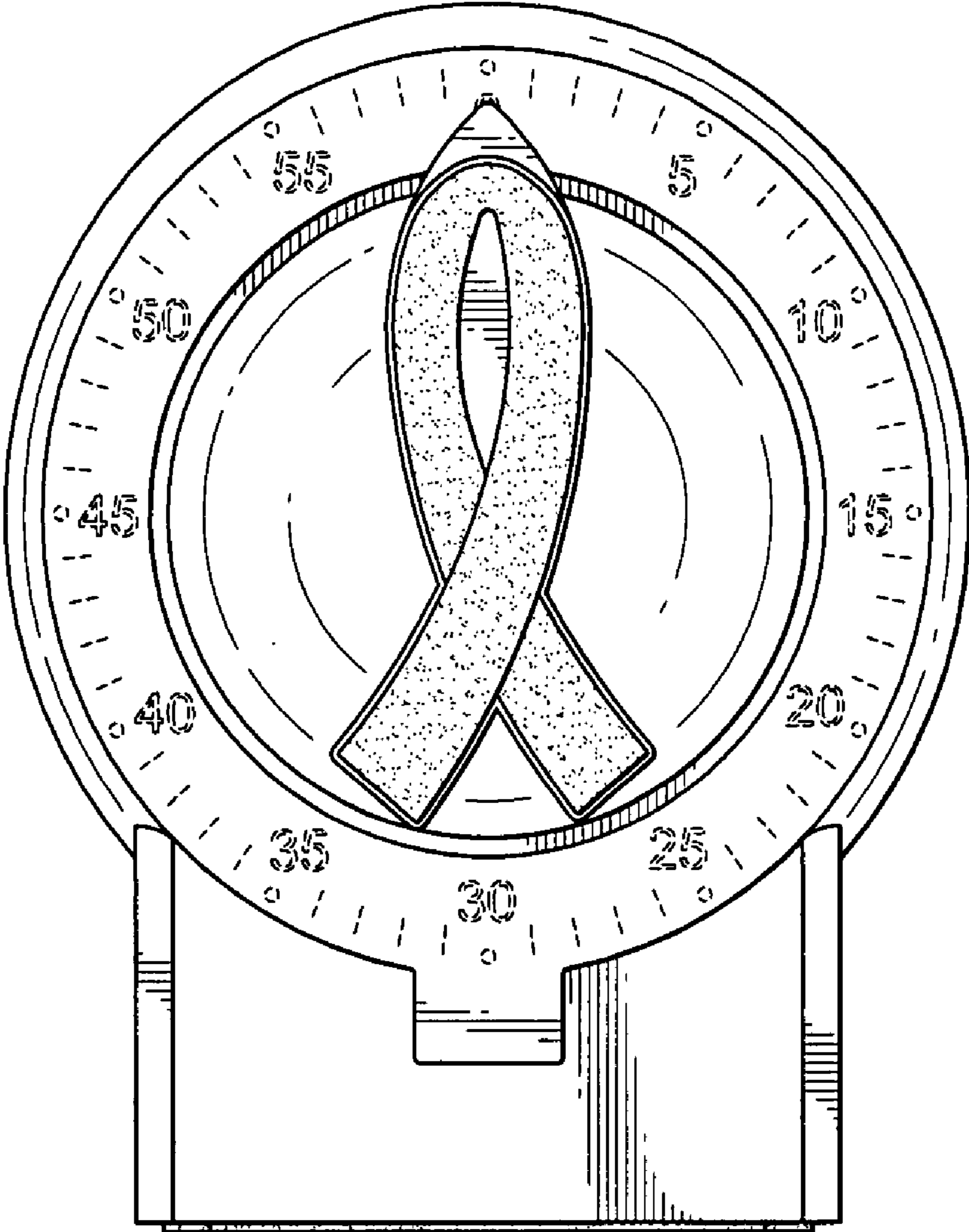


FIG.2

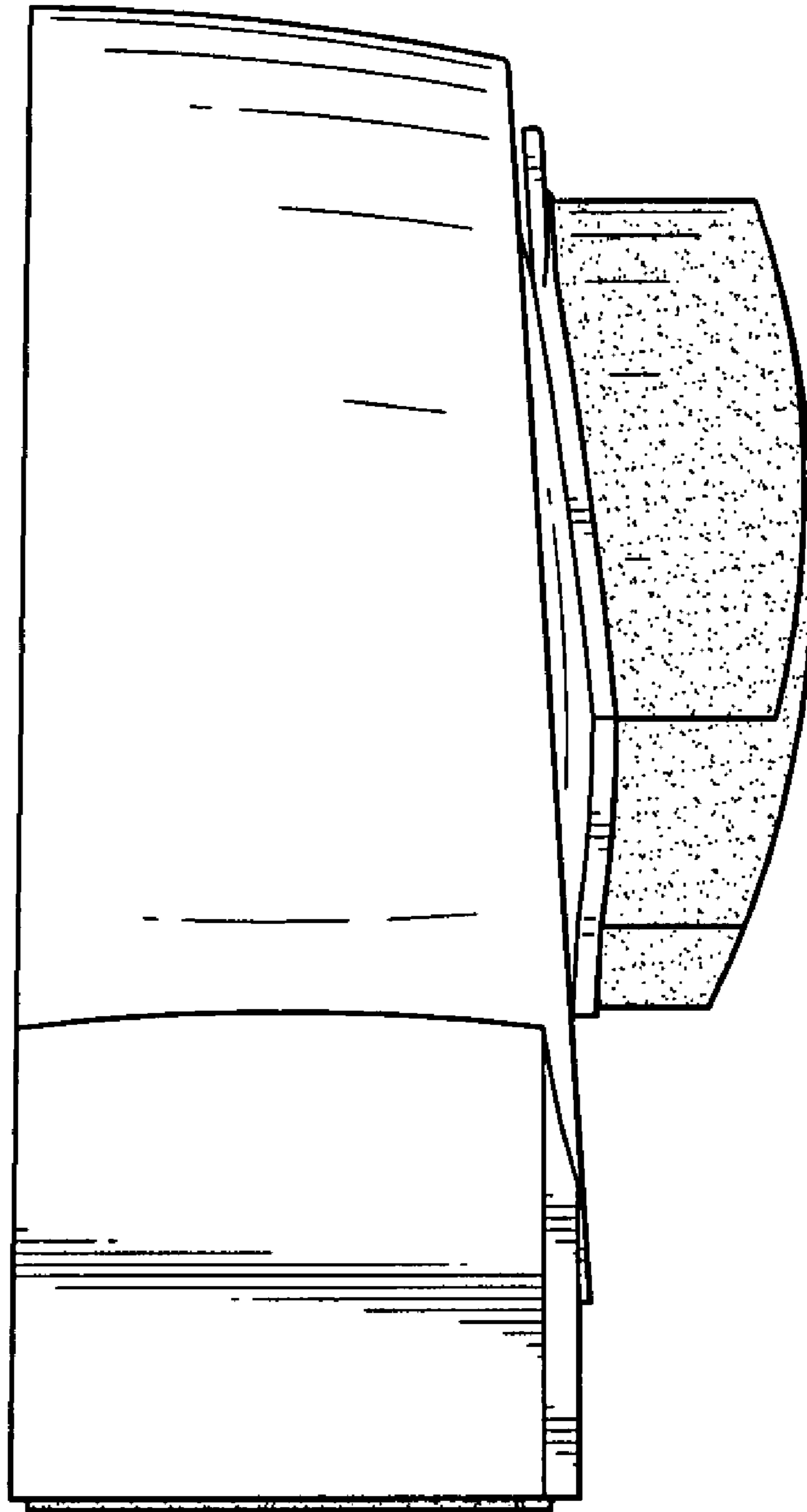


FIG.3

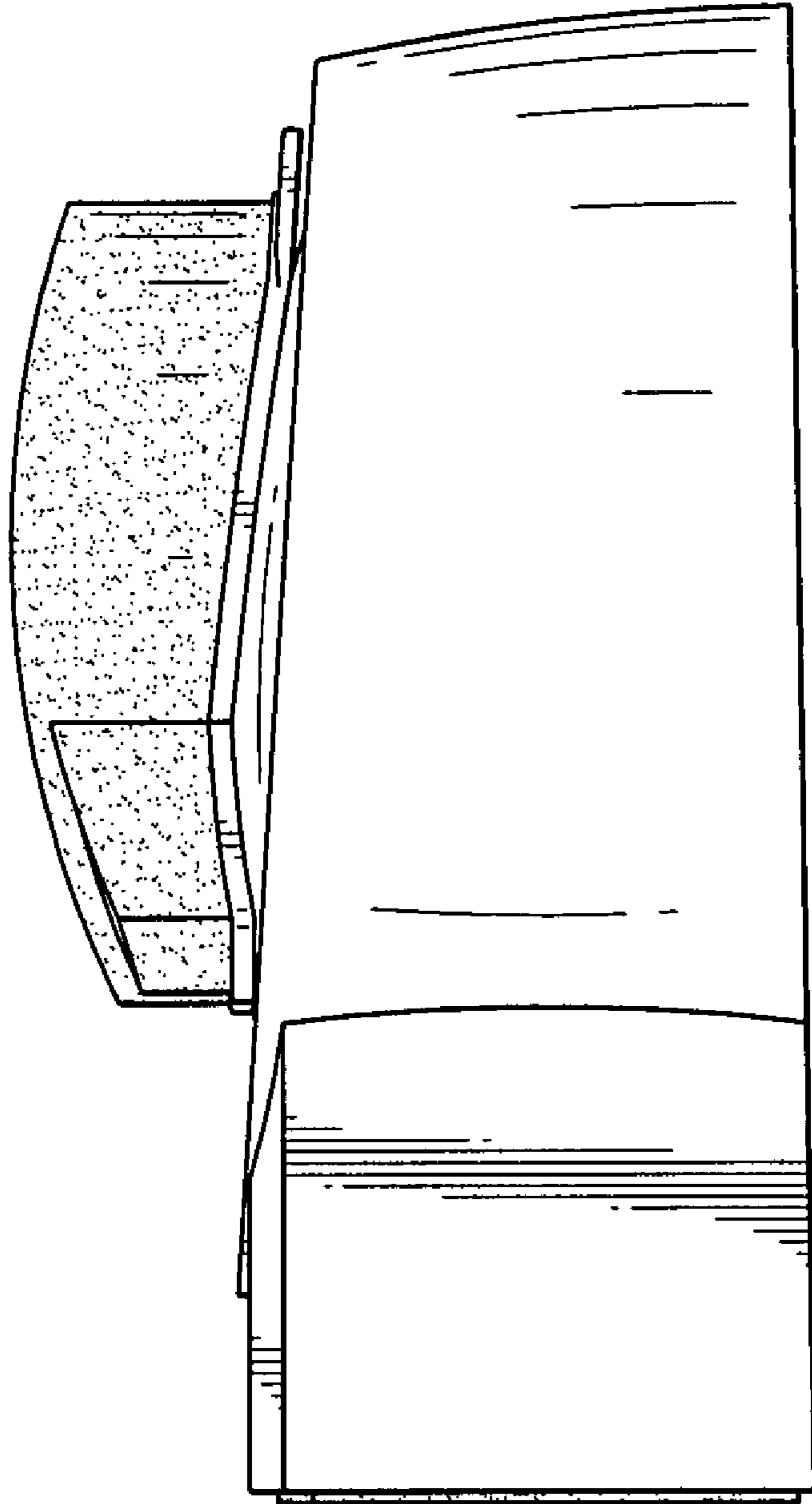


FIG. 4

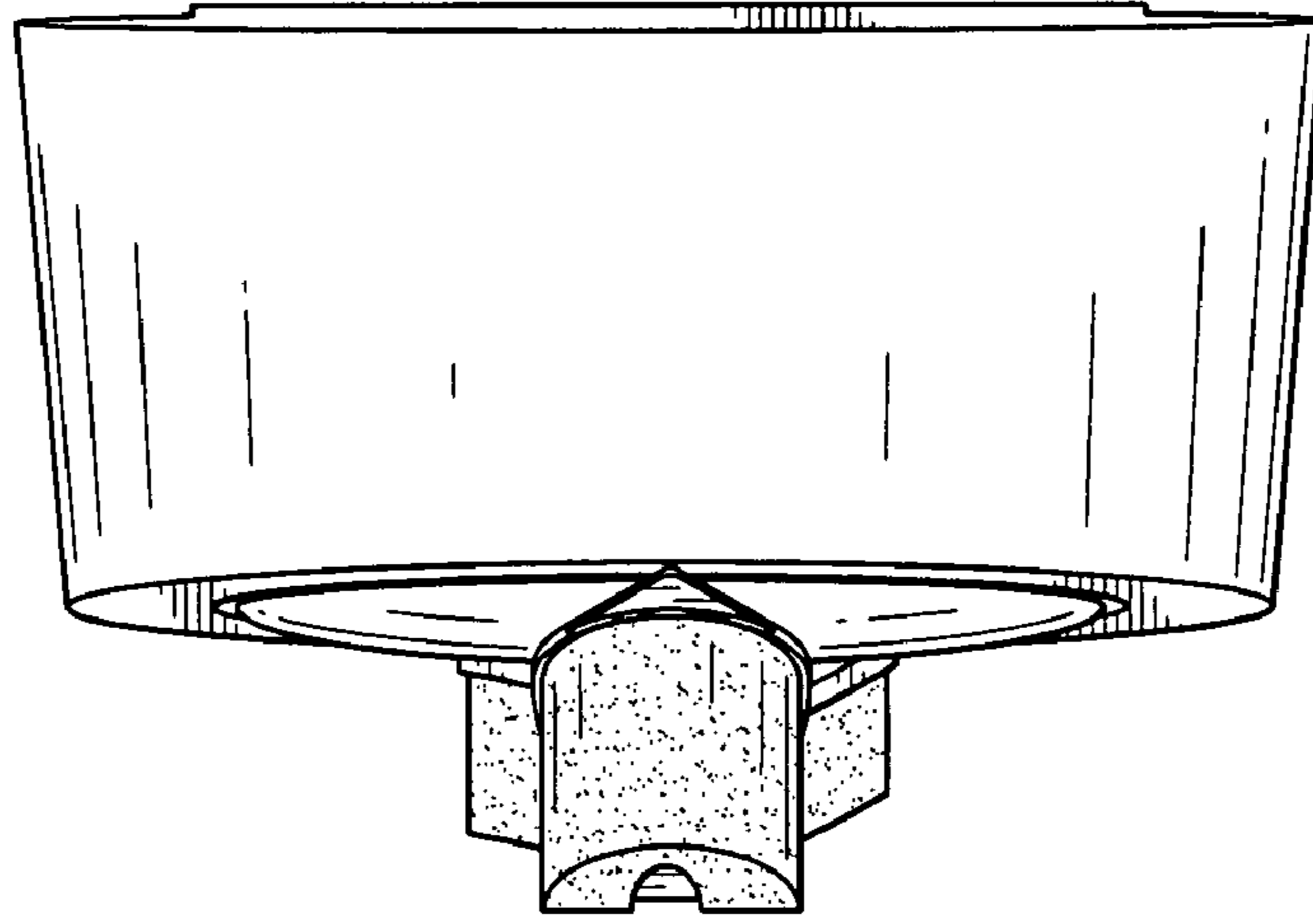


FIG. 5

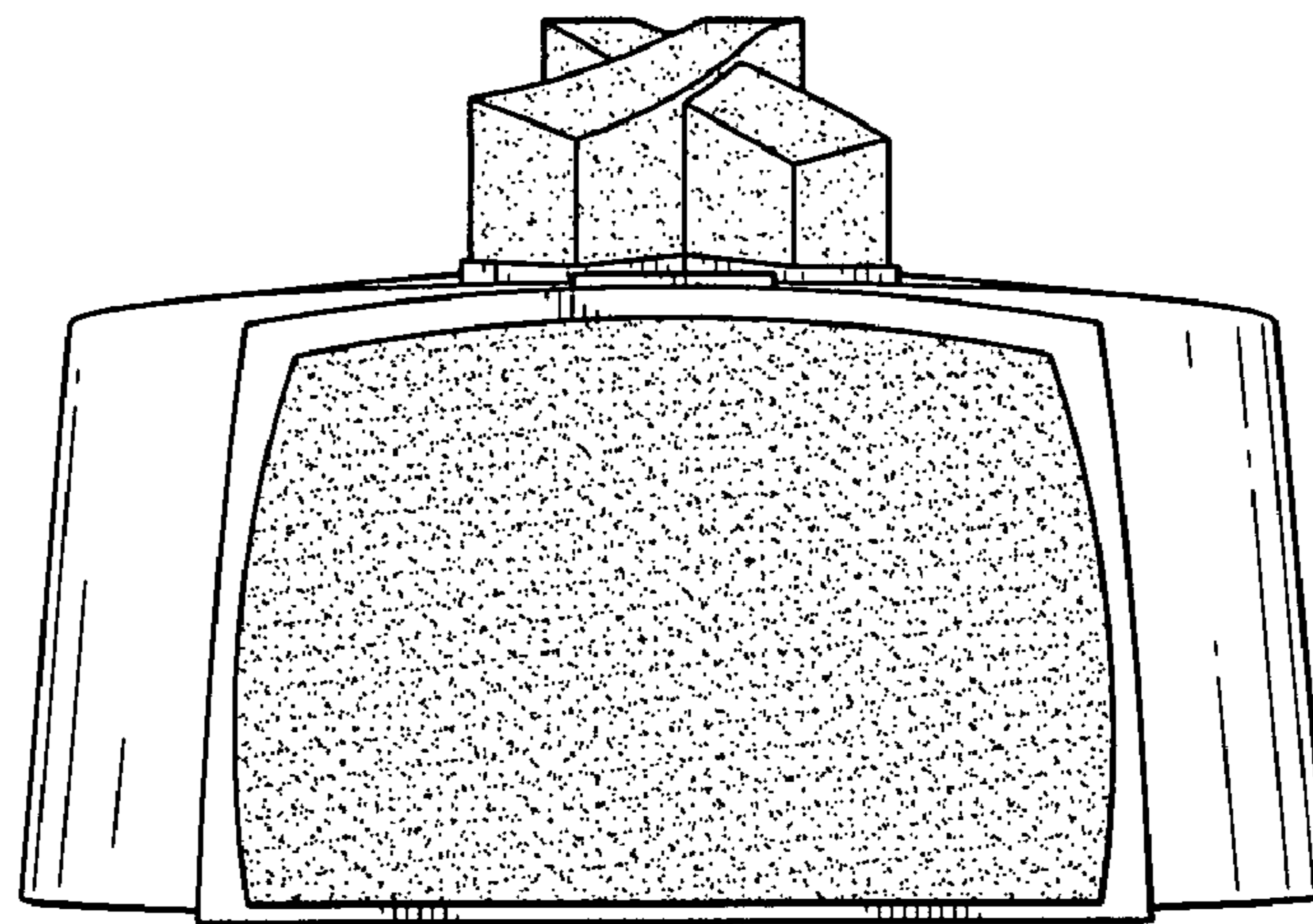


FIG. 6