



US00D558614S

(12) **United States Design Patent**
Strasser

(10) **Patent No.:** **US D558,614 S**

(45) **Date of Patent:** **** Jan. 1, 2008**

(54) **WATCH CASE**

(76) **Inventor:** **Florian Strasser**, Breitenstrasse 5,
CH2554 Mainisberg (CH)

(**) **Term:** **14 Years**

(21) **Appl. No.:** **29/285,491**

(22) **Filed:** **Mar. 29, 2007**

(51) **LOC (8) Cl.** **10-02**

(52) **U.S. Cl.** **D10/38**

(58) **Field of Classification Search** D10/30,
D10/31, 32, 38, 39; 368/276, 277, 281, 282,
368/285

See application file for complete search history.

(56) **References Cited**

U.S. PATENT DOCUMENTS

D246,577 S *	12/1977	Inaba	D10/30
D278,605 S *	4/1985	Didisheim	D10/39
D297,817 S *	9/1988	Guan	D10/30
5,113,381 A *	5/1992	Sakamoto et al.	368/74
D384,295 S *	9/1997	Riley	D10/30
D451,820 S *	12/2001	Sugisawa	D10/30
D464,274 S *	10/2002	Strasser	D10/32
D484,815 S *	1/2004	Baumann	D10/32
D489,999 S *	5/2004	Yamamoto	D10/30
D490,722 S *	6/2004	Weismann et al.	D10/39
D509,216 S *	9/2005	Yamamoto et al.	D14/344

D523,357 S *	6/2006	Kummer	D10/38
D539,669 S *	4/2007	Vaptzarof	D10/31
D539,674 S *	4/2007	Vaptzarof	D10/38
D543,872 S *	6/2007	Garcia	D10/38

* cited by examiner

Primary Examiner—Lucy Lieberman

(74) *Attorney, Agent, or Firm*—Fross Zelnick Lehrman &
Zissu, P.C.; Charles T. J. Weigell, Esq.

(57) **CLAIM**

The ornamental design for a watch case, as shown and described.

DESCRIPTION

FIG. 1 is a front perspective view of a watch case showing my new design;

FIG. 2 is a front view of the watch case shown in FIG. 1;

FIG. 3 is a rear view of the watch case shown in FIG. 1;

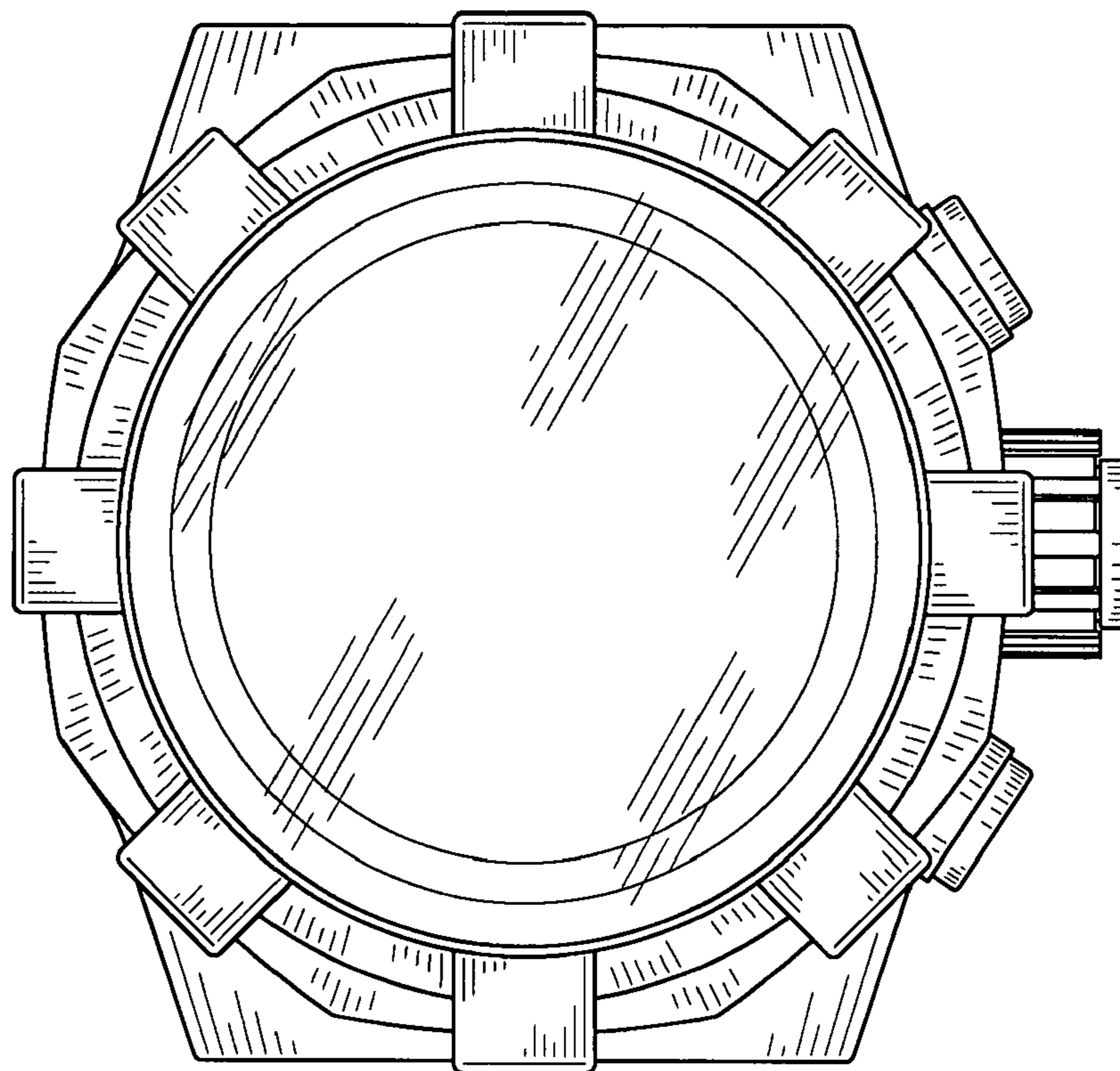
FIG. 4 is a left side view of the watch case shown in FIG. 1;

FIG. 5 is a right side view of the watch case shown in FIG. 1;

FIG. 6 is a top view of the watch case shown in FIG. 1; and,

FIG. 7 is a bottom view of the watch case shown in FIG. 1.

1 Claim, 3 Drawing Sheets



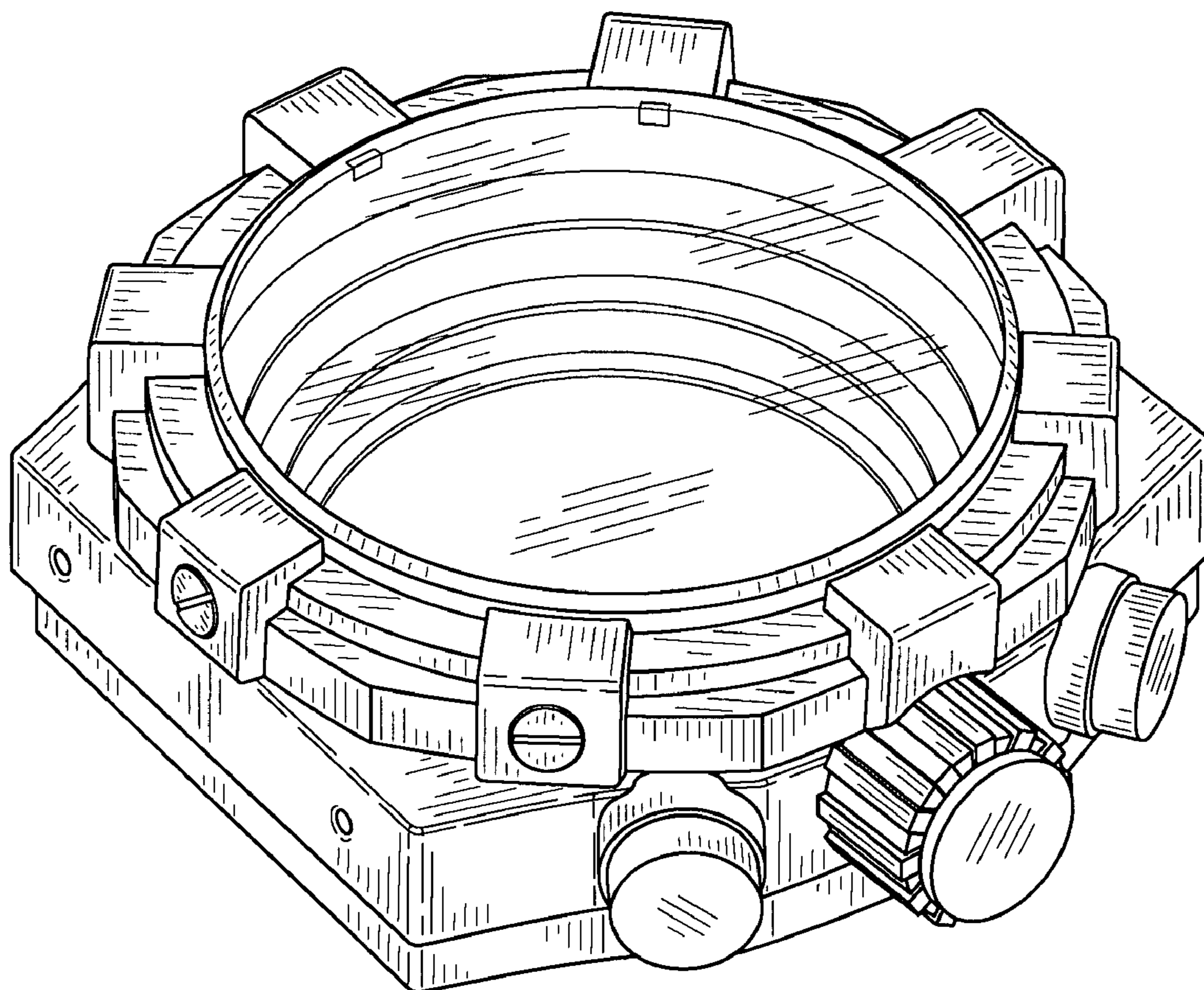


FIG. 1

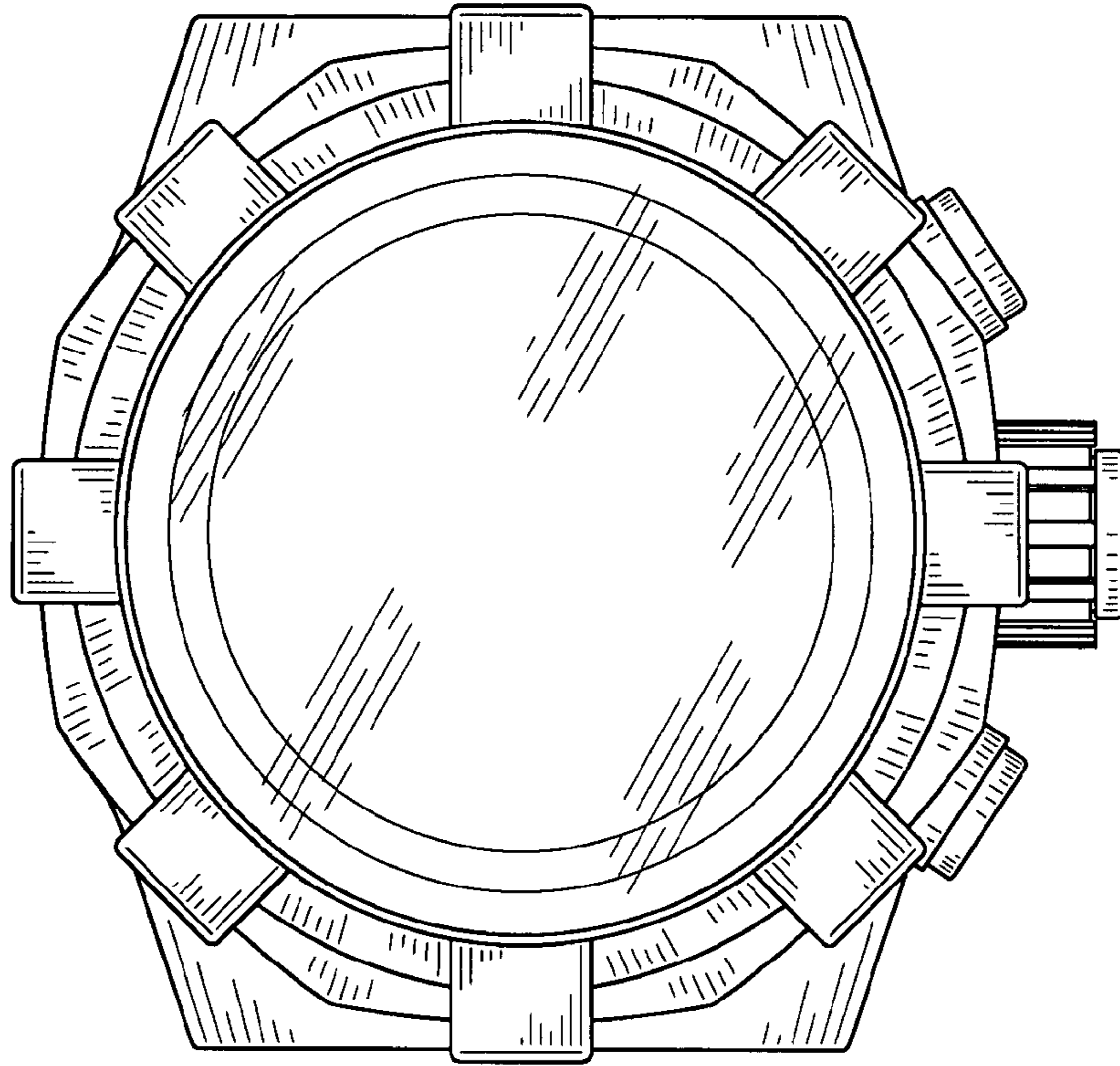


FIG. 2

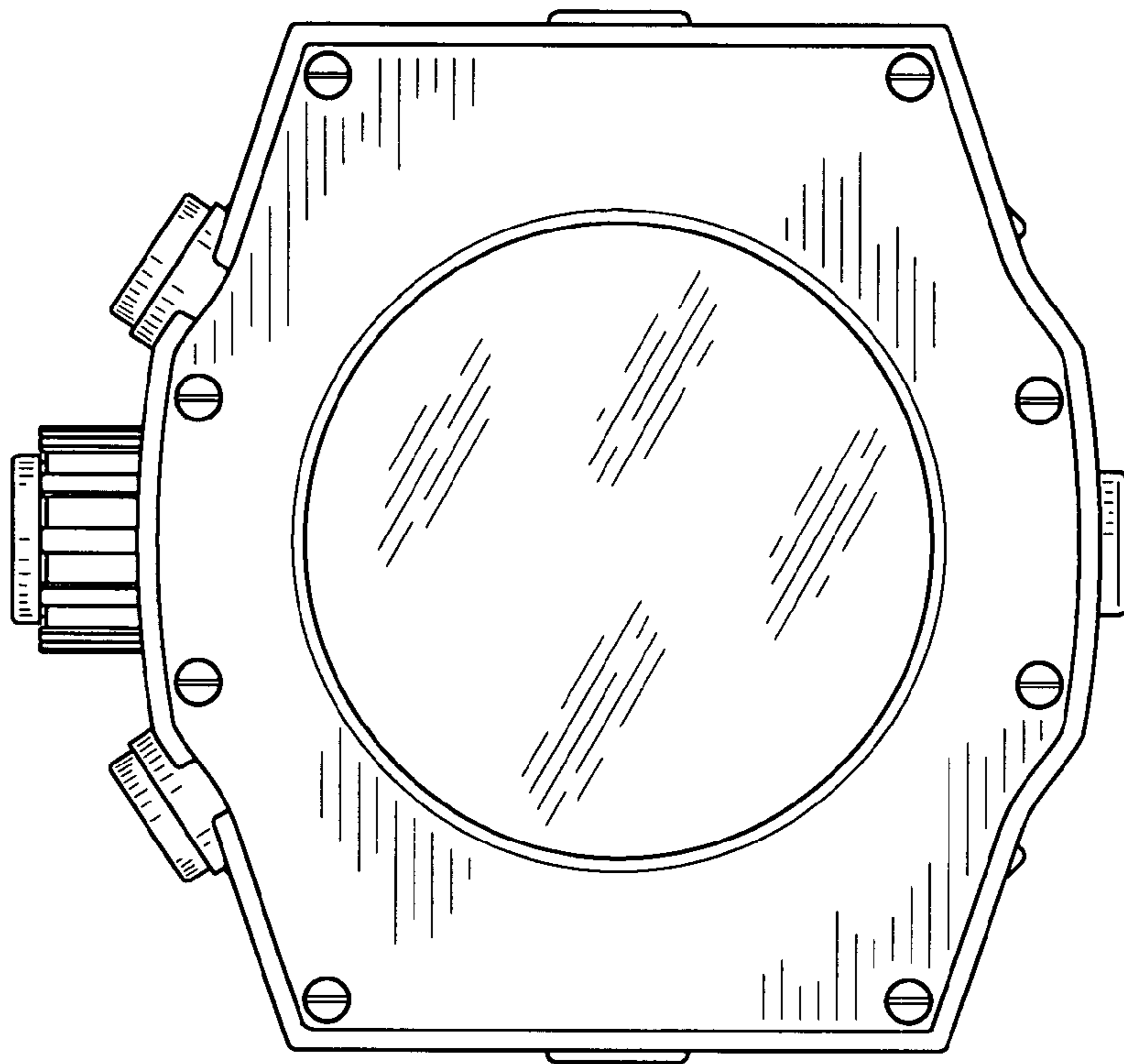


FIG. 3

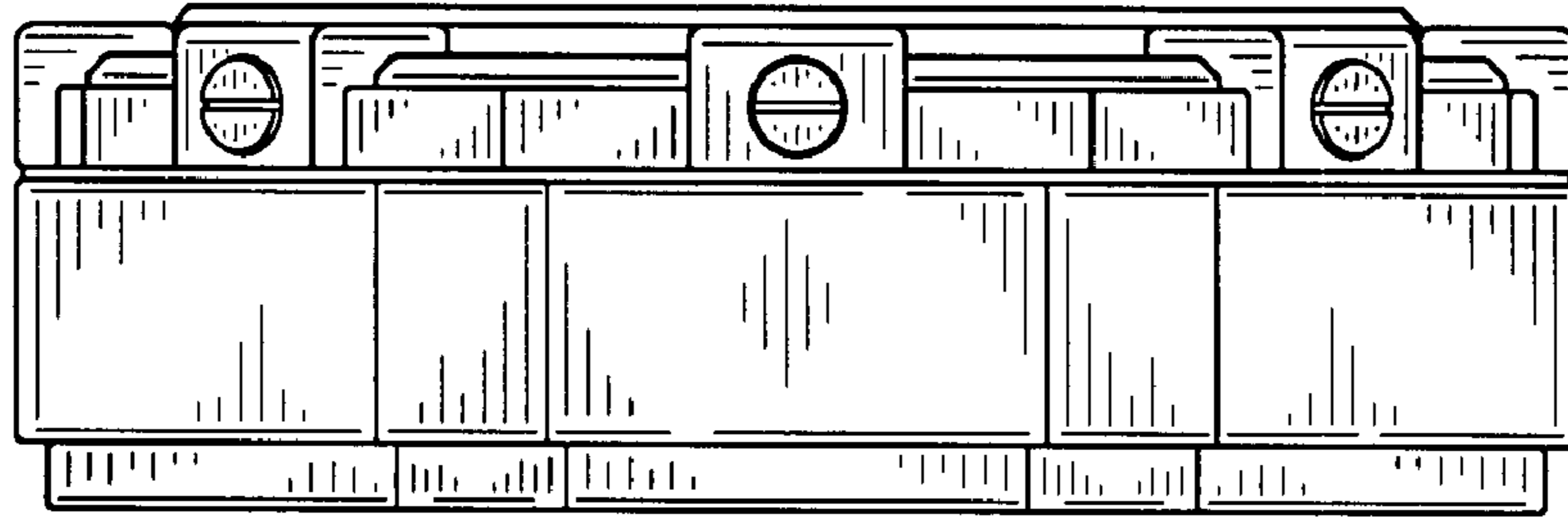


FIG. 4

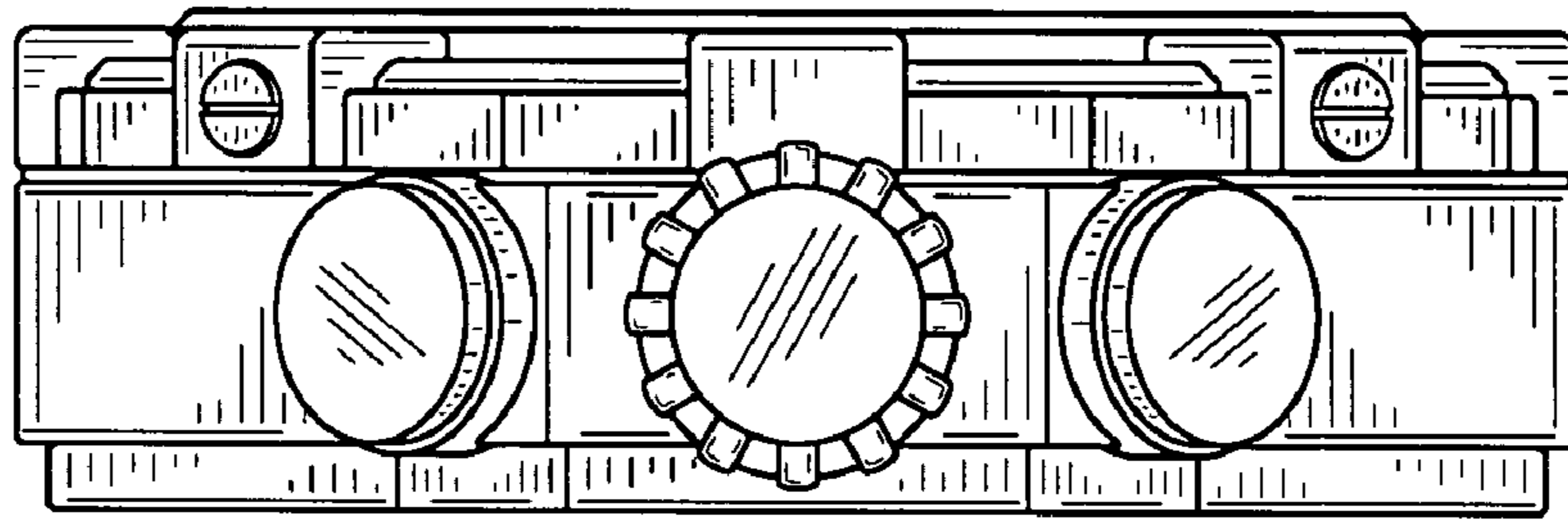


FIG. 5

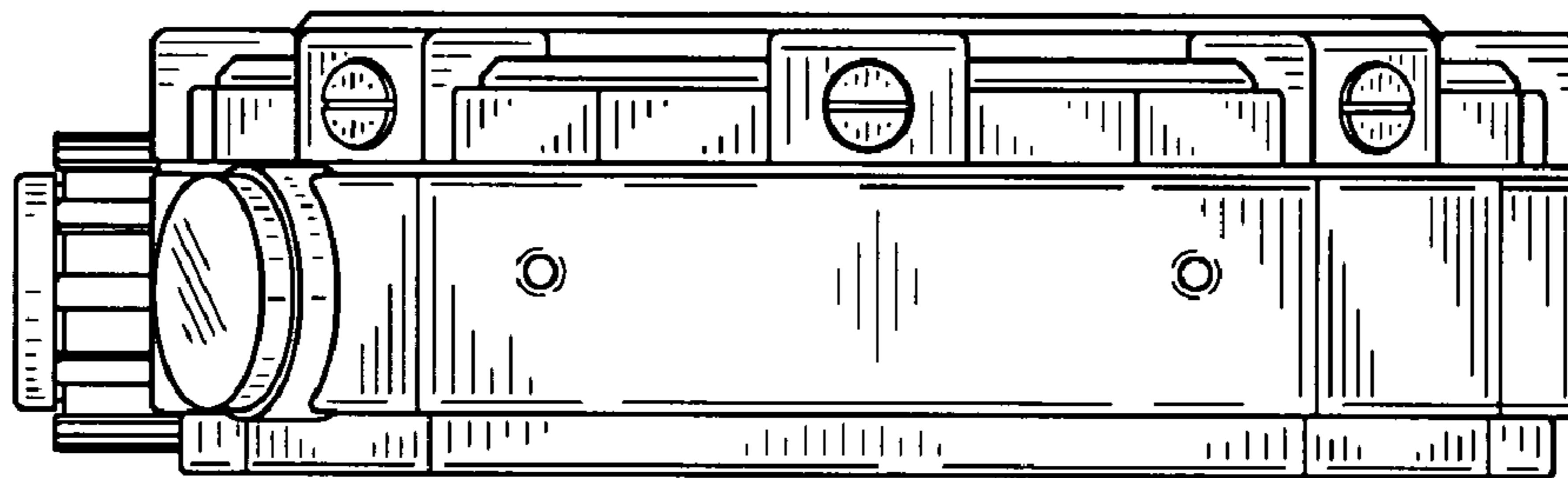


FIG. 6

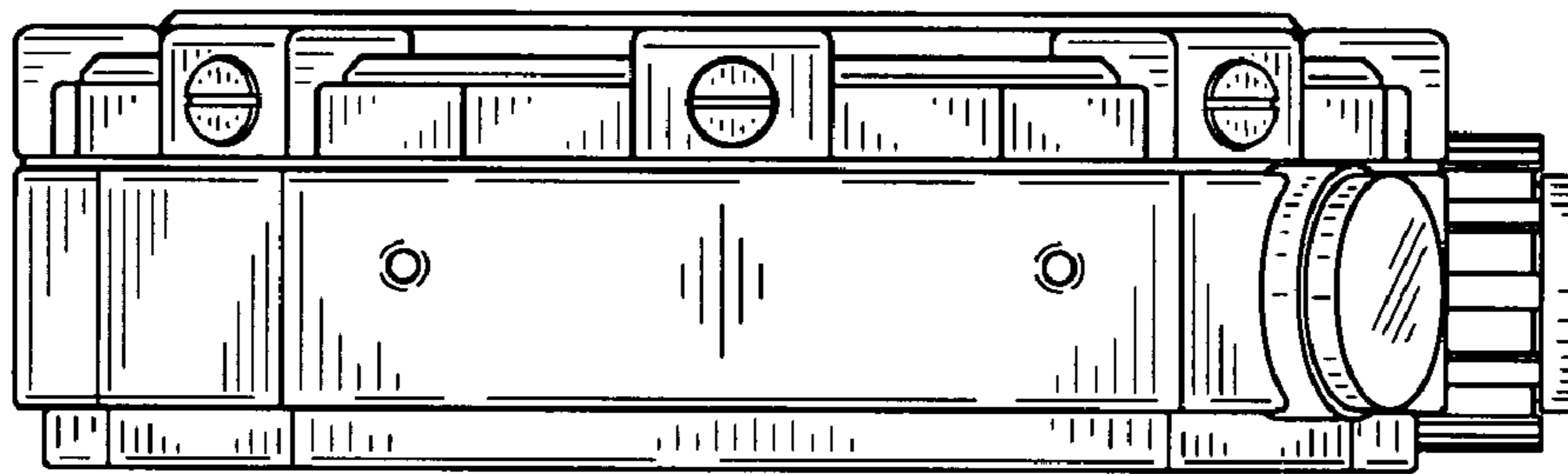


FIG. 7