



US00D558612S

(12) **United States Design Patent**
Wei

(10) **Patent No.:** **US D558,612 S**
(45) **Date of Patent:** **** Jan. 1, 2008**

(54) **WATCH CASE**

- (75) Inventor: **Yang Li Wei**, Dongzhu Town (CN)
- (73) Assignee: **New Heritage Ltd.**, Hong Kong (HK)
- (**) Term: **14 Years**
- (21) Appl. No.: **29/279,334**
- (22) Filed: **Apr. 27, 2007**

- (51) **LOC (8) Cl.** **10-02**
- (52) **U.S. Cl.** **D10/38**
- (58) **Field of Classification Search** D10/30,
D10/31, 32, 38, 39, 123-126; 368/276, 281,
368/282, 285, 228, 232, 80, 239-242, 28-30
See application file for complete search history.

(56) **References Cited**

U.S. PATENT DOCUMENTS

D296,991	S	*	8/1988	Lauper	D10/30
D315,311	S	*	3/1991	Ratajski	D10/32
D319,027	S	*	8/1991	Burgener	D10/39
D324,828	S	*	3/1992	Wunderman	D10/32
D332,054	S	*	12/1992	Pitteloud	D10/32
5,319,615	A	*	6/1994	Ng	368/276
5,373,484	A	*	12/1994	Rappo et al.	368/282
5,398,218	A	*	3/1995	Munnier et al.	368/282
D380,968	S	*	7/1997	Feuvrier	D10/30
D386,984	S	*	12/1997	Kubisch	D10/39
D390,123	S	*	2/1998	Kennedy	D10/30
D448,311	S	*	9/2001	Sciacca	D10/39
D508,418	S	*	8/2005	Kraft	D10/38

OTHER PUBLICATIONS

Watches International VI, The Original Annual of the World's Finest Wristwatches, 2005, Tourbillon Publishing, LLC., pp. 228-229, Dubey & Schaldenbrand watches.*

* cited by examiner

Primary Examiner—Lucy Lieberman

(74) *Attorney, Agent, or Firm*—Galbreath Law Offices, P.C.; John A. Galbreath

(57) **CLAIM**

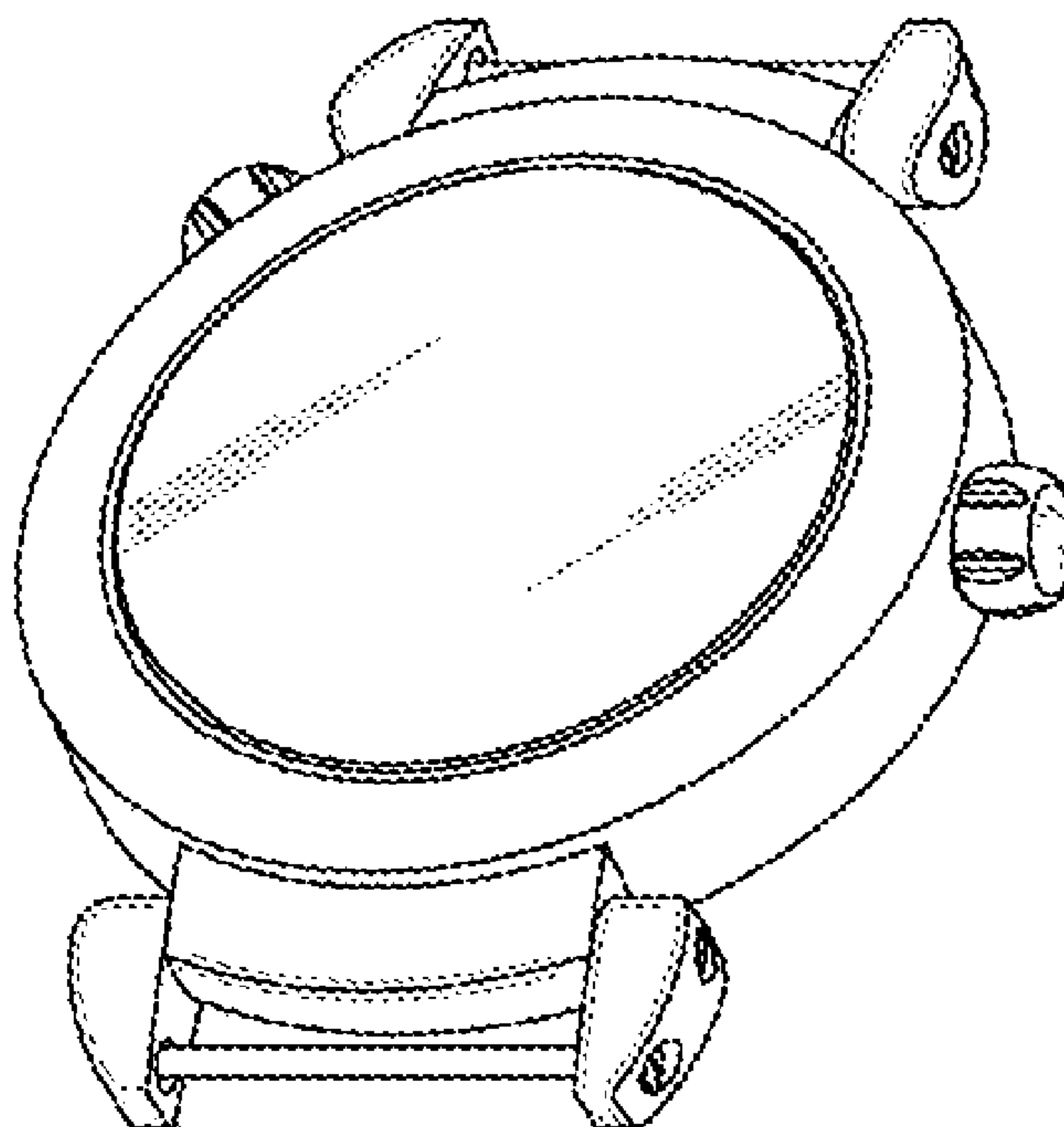
The ornamental design for a watch case, as shown and described.

DESCRIPTION

- FIG. 1 is a perspective view of the invention;
- FIG. 2 is a top view of the invention;
- FIG. 3 is a bottom view of the invention;
- FIG. 4 is a front view of the invention;
- FIG. 5 is a back view of the invention, with the watch case inverted;
- FIG. 6 is a side view of the invention, showing the side that contains a centrally-positioned mechanism used to control the watch; and,
- FIG. 7 is another side view of the invention, showing the side opposite that shown in FIG. 6.

The views in the drawings are shown on different scales.

1 Claim, 1 Drawing Sheet



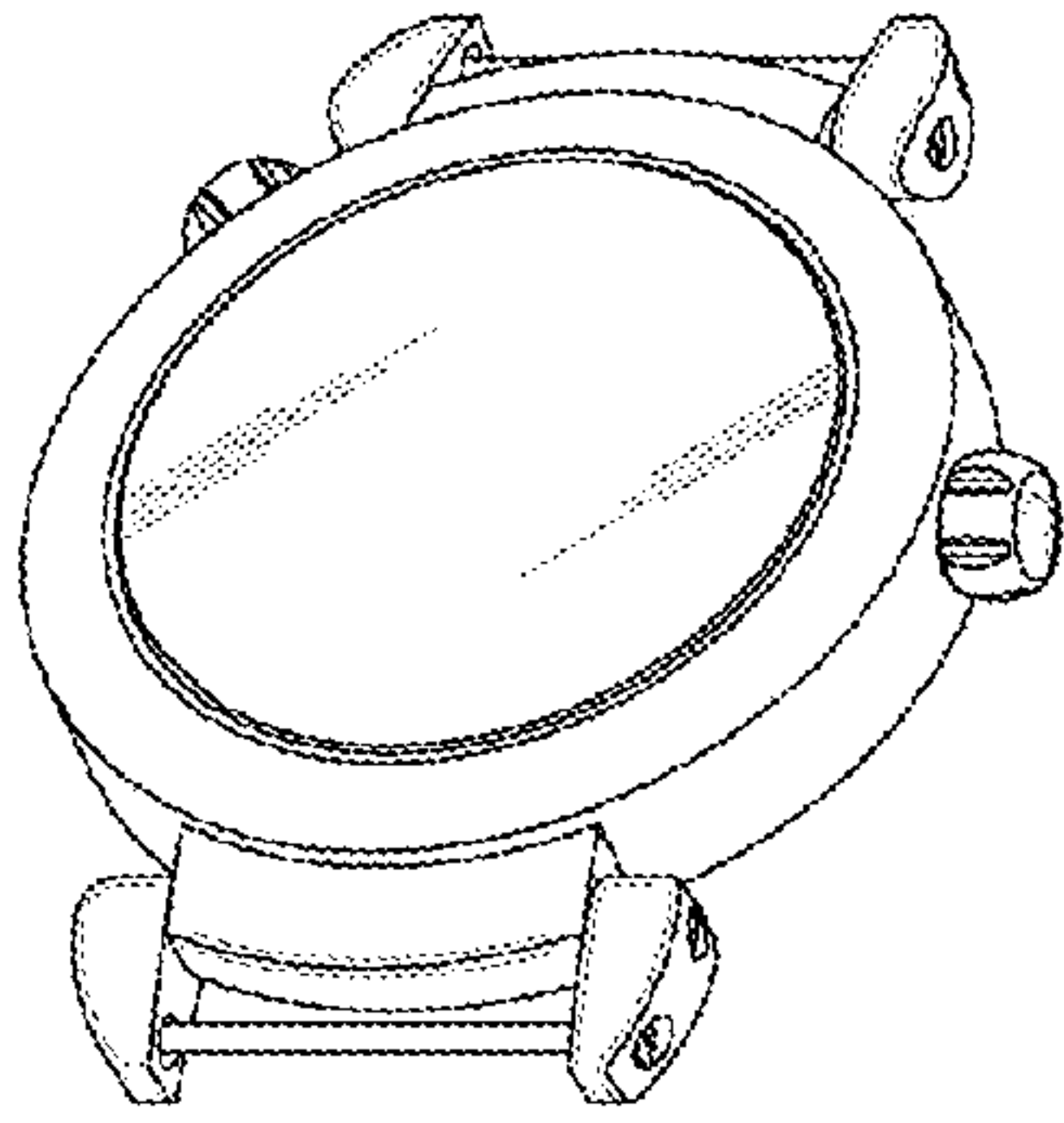


FIG. 1

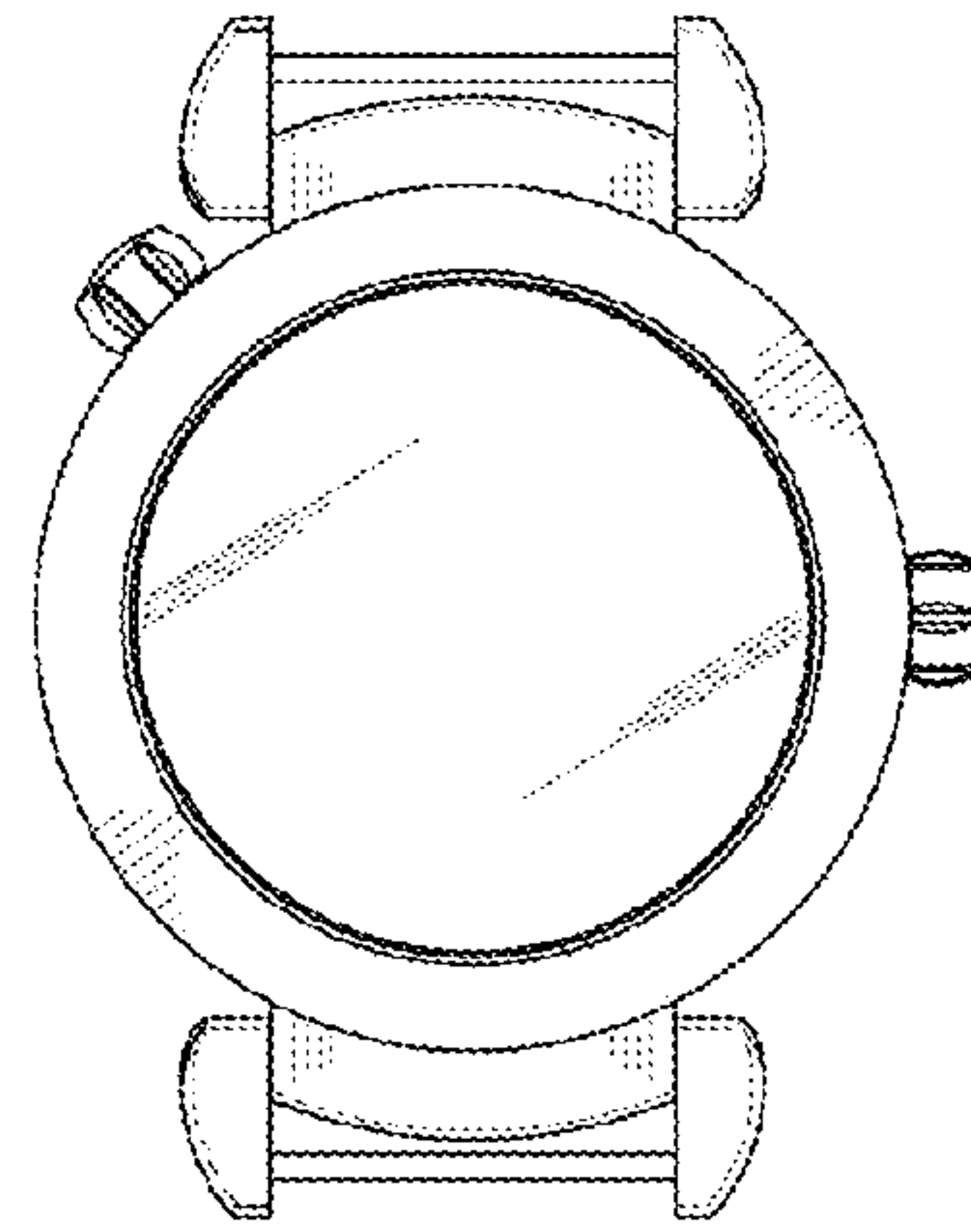


FIG. 2

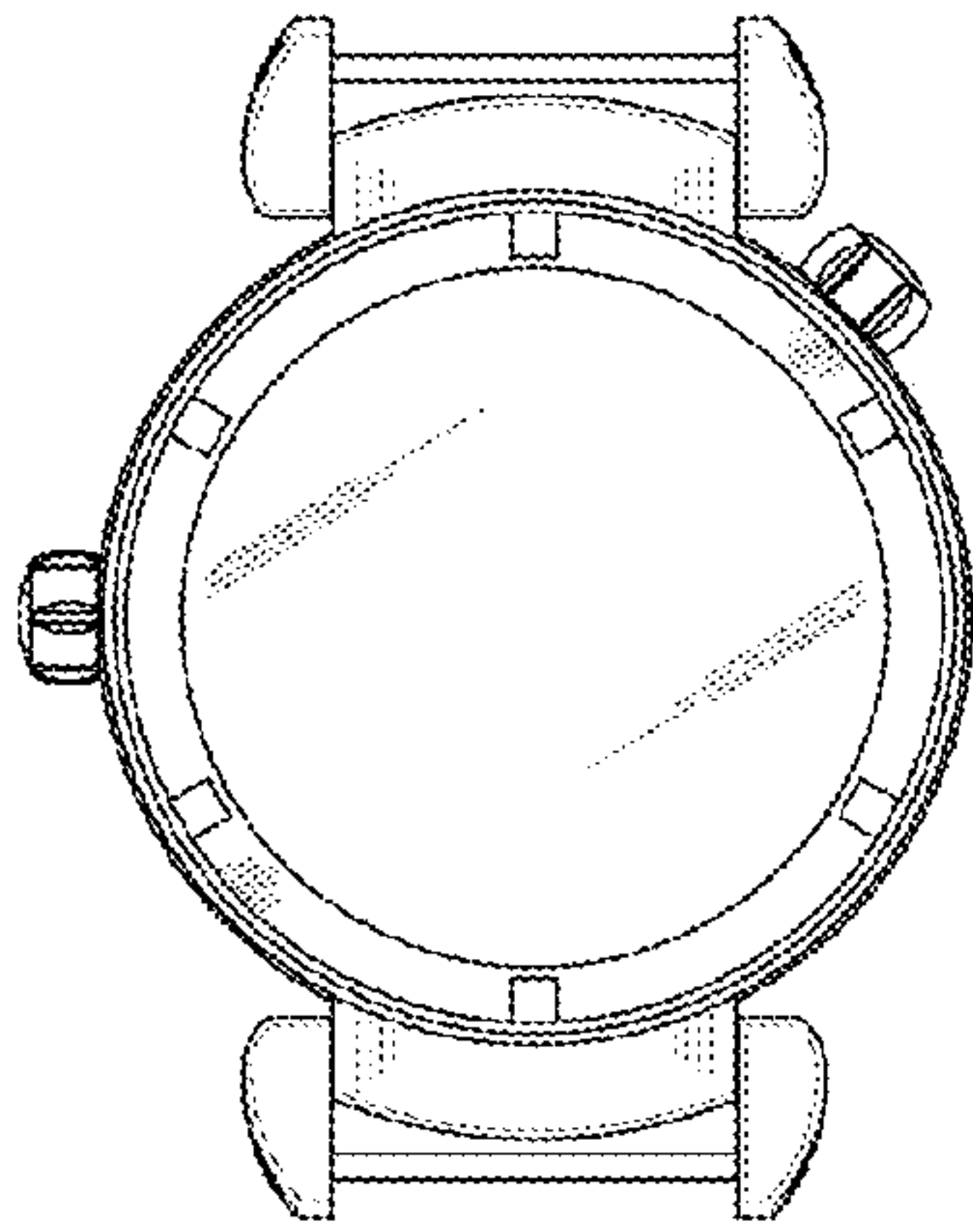


FIG. 3

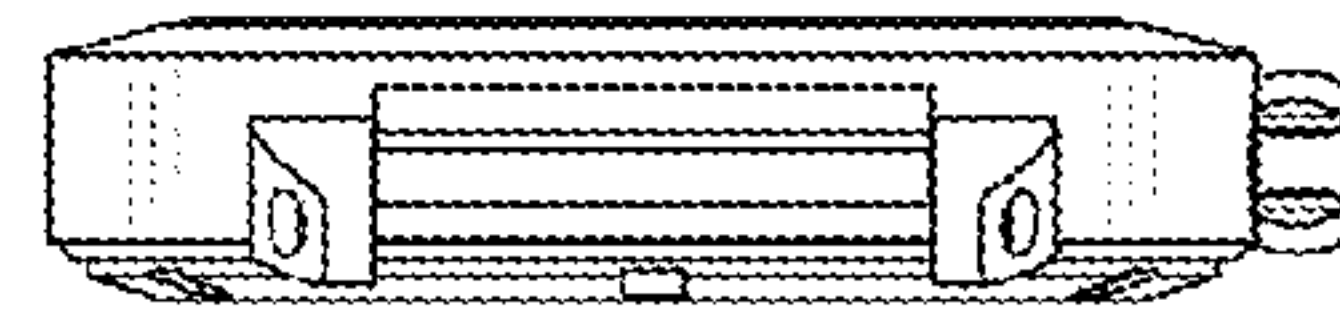


FIG. 4

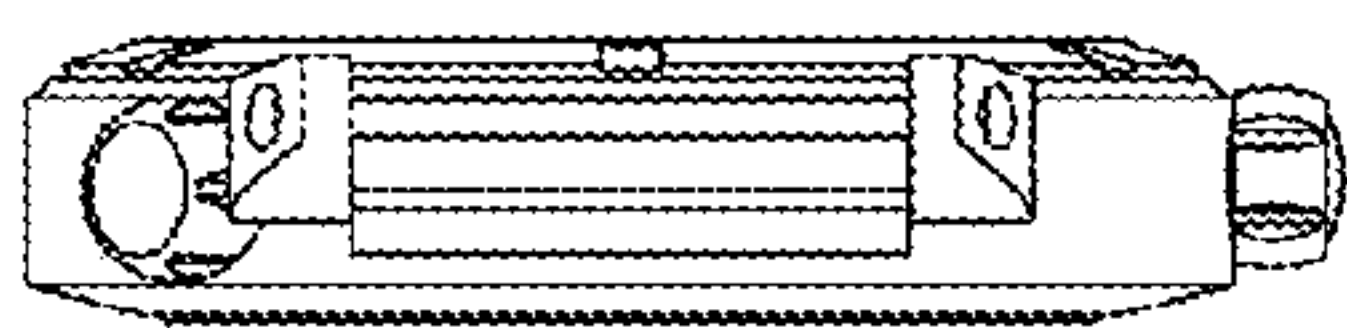


FIG. 5



FIG. 6



FIG. 7