



US00D558611S

(12) **United States Design Patent**
Wei

(10) **Patent No.:** **US D558,611 S**

(45) **Date of Patent:** **** Jan. 1, 2008**

(54) **WATCH CASE**

6,738,317 B2 * 5/2004 Nussbaum 368/281

(75) Inventor: **Yang Li Wei**, Dongzhu Town (CN)

* cited by examiner

(73) Assignee: **New Heritage Ltd.**, Hong Kong (HK)

Primary Examiner—Lucy Lieberman

(**) Term: **14 Years**

(74) *Attorney, Agent, or Firm*—Galbreath Law Offices, P.C.;
John A. Galbreath

(21) Appl. No.: **29/279,331**

(57) **CLAIM**

(22) Filed: **Apr. 27, 2007**

The ornamental design for a watch case, as shown and described.

(51) **LOC (8) Cl.** **10-02**

(52) **U.S. Cl.** **D10/38**

(58) **Field of Classification Search** D10/30,
D10/31, 32, 38, 39, 123–126; 368/276, 281,
368/282, 285, 228, 232, 80, 239–242, 28–30

See application file for complete search history.

DESCRIPTION

(56) **References Cited**

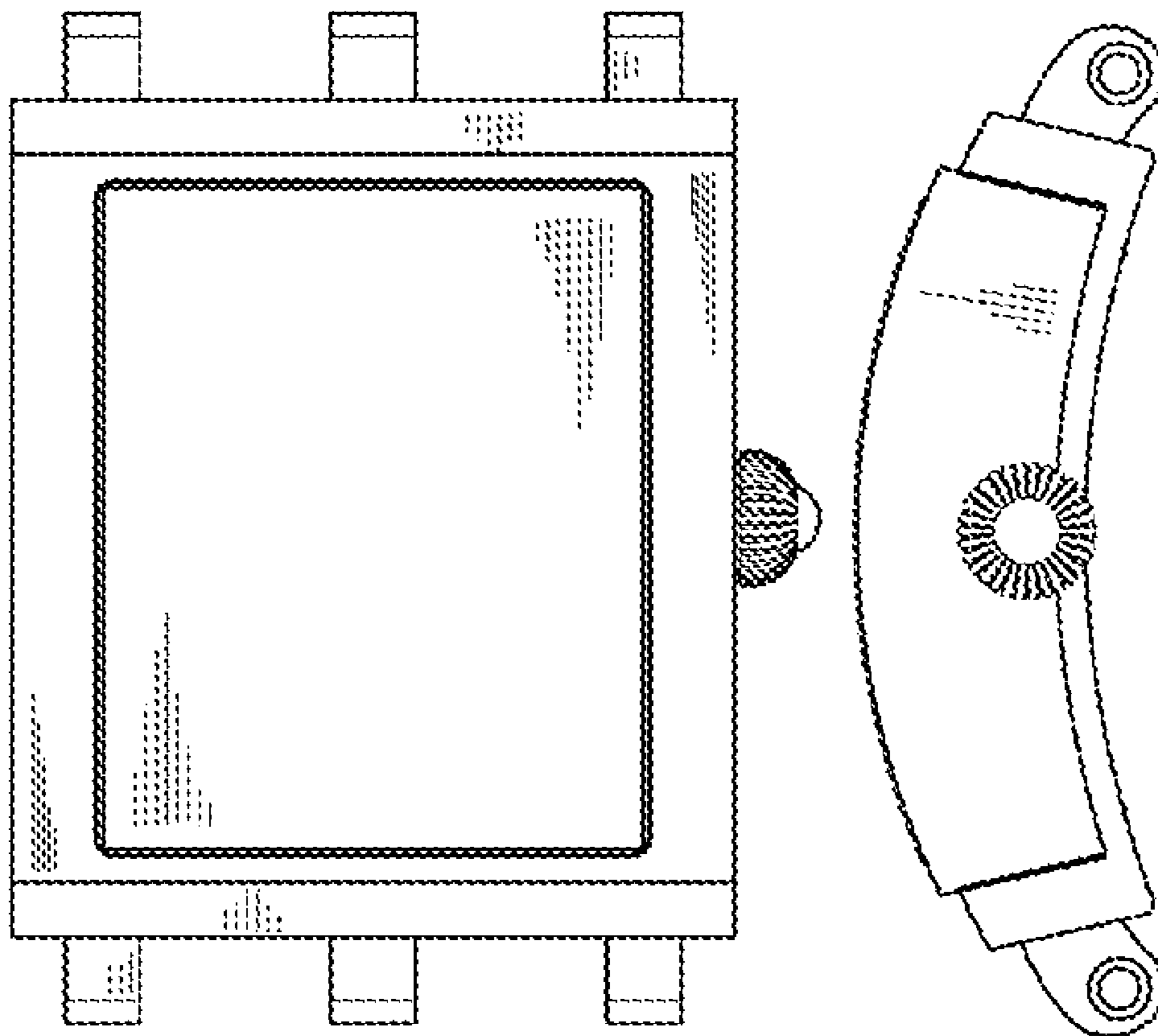
U.S. PATENT DOCUMENTS

5,363,351	A *	11/1994	Carney	368/282
D404,319	S *	1/1999	Deleskiewicz	D10/32
D416,494	S *	11/1999	Pitteloud	D10/30
D416,495	S *	11/1999	Pitteloud	D10/30
D455,661	S *	4/2002	Nussbaum	D10/32
D464,273	S *	10/2002	Nussbaum	D10/30
D473,470	S *	4/2003	Nussbaum	D10/30
6,655,831	B1 *	12/2003	Ruffieux	368/281
6,671,231	B2 *	12/2003	Gilomen	368/80

FIG. 1 is a perspective view of the invention;
 FIG. 2 is a top view of the invention;
 FIG. 3 is a bottom view of the invention;
 FIG. 4 is a front view of the invention;
 FIG. 5 is a back view of the invention, with the watch case inverted;
 FIG. 6 is a side view of the invention, showing the side that contains the mechanism used to set the time; and,
 FIG. 7 is another side view of the invention, showing the side opposite that shown in FIG. 6.

The views in the drawings are shown on different scales.

1 Claim, 1 Drawing Sheet



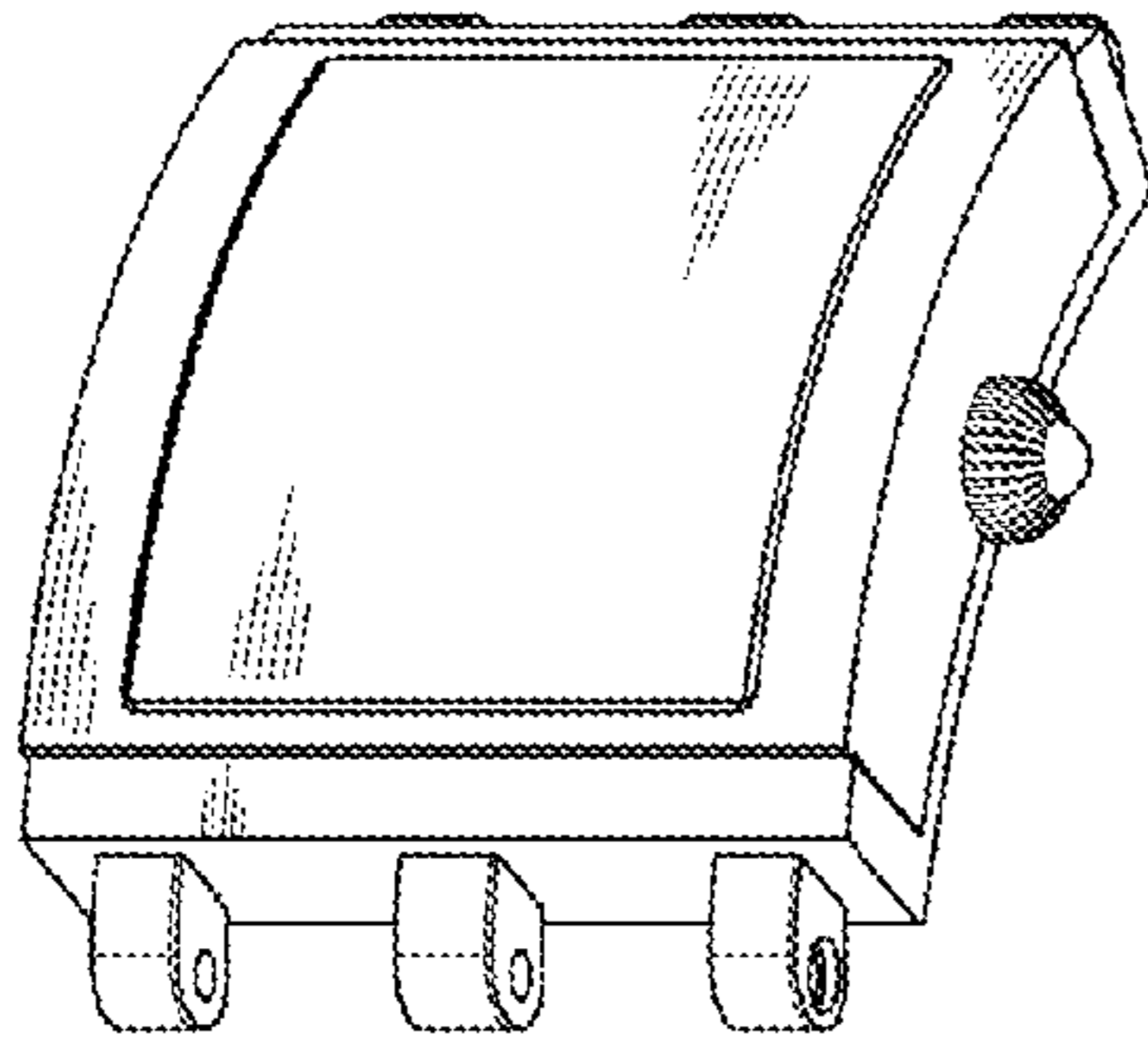


FIG.1

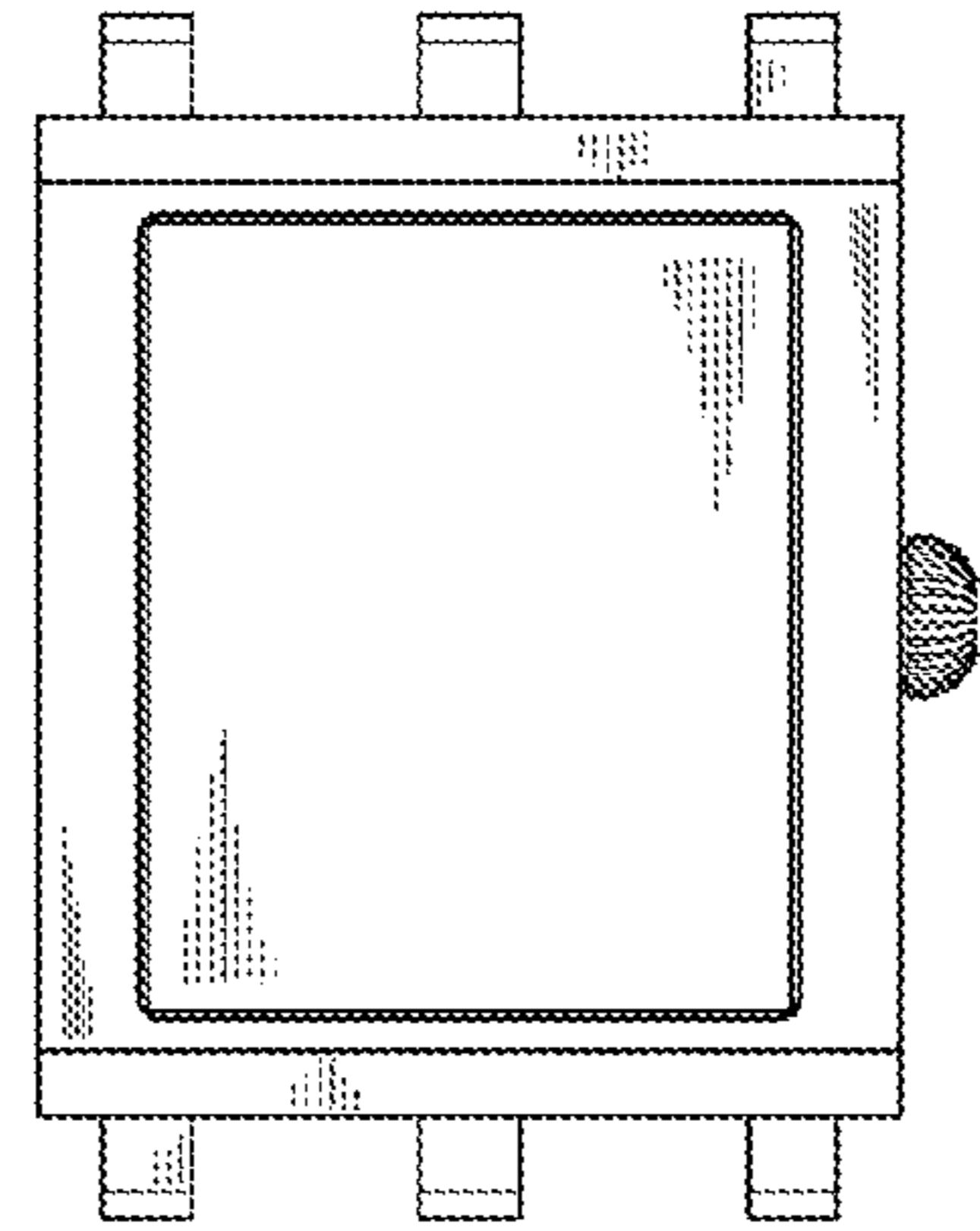


FIG.2

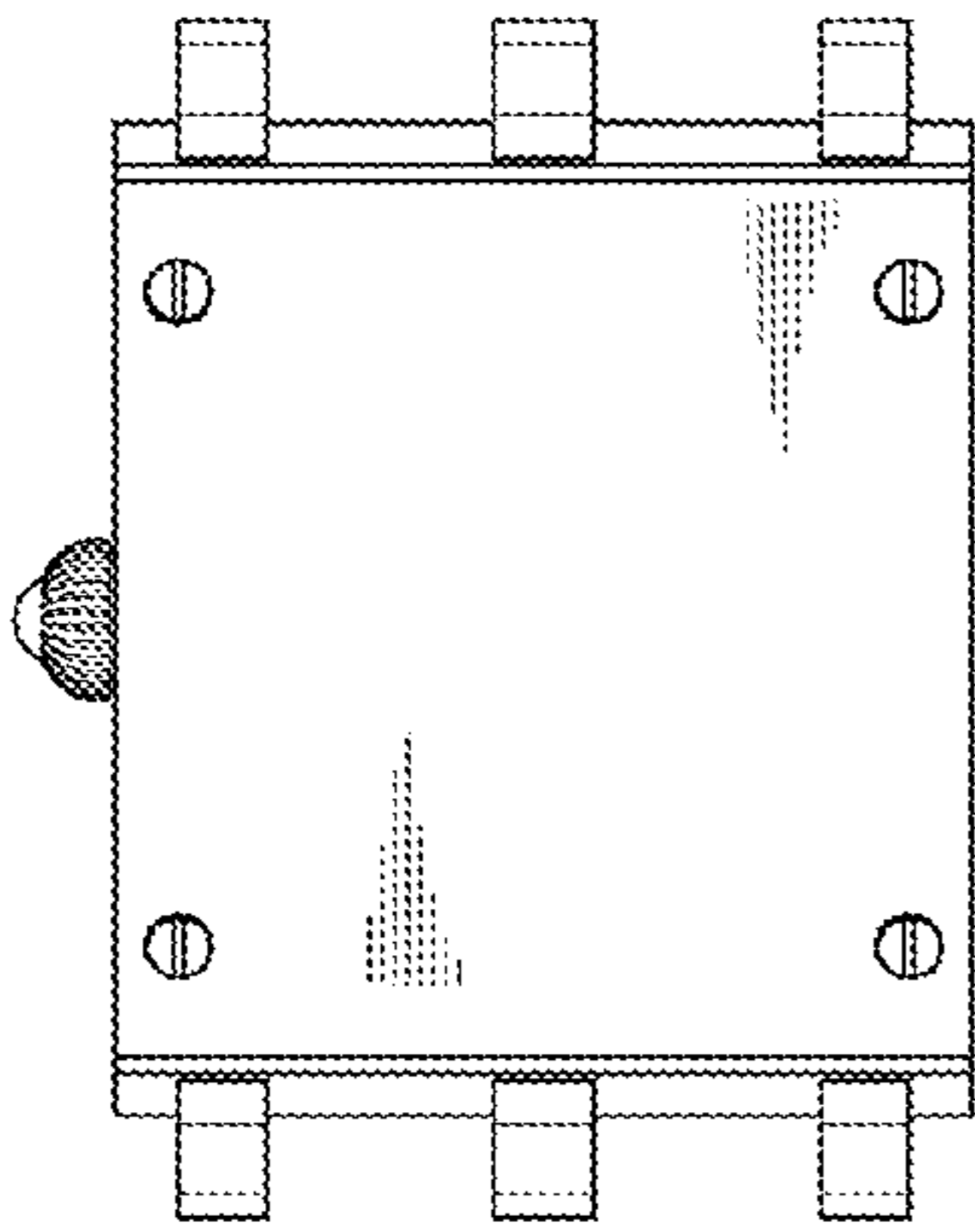


FIG.3

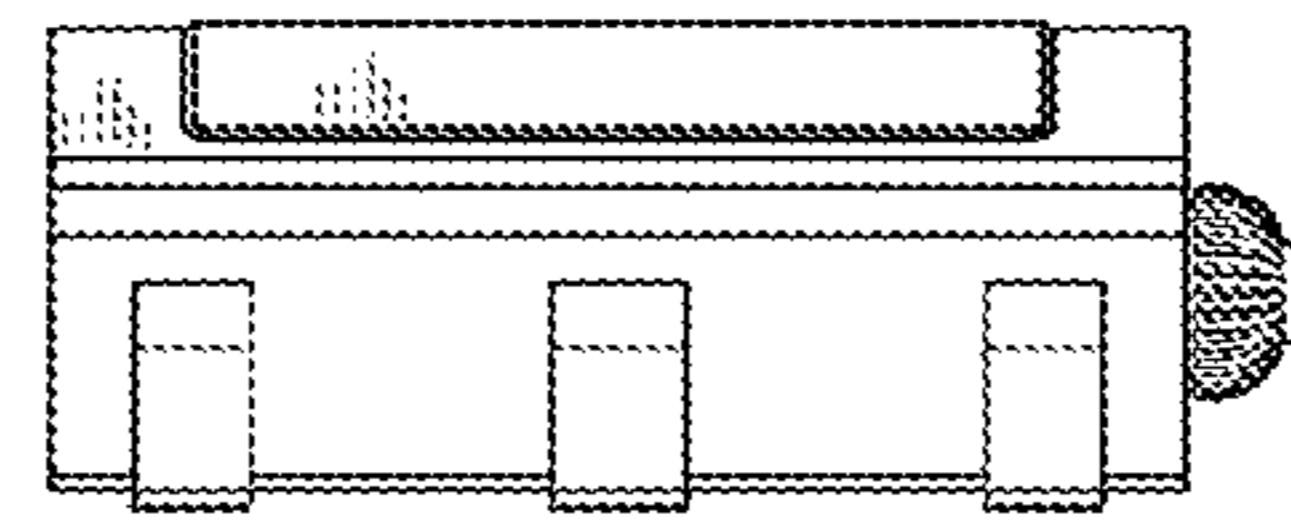


FIG.4

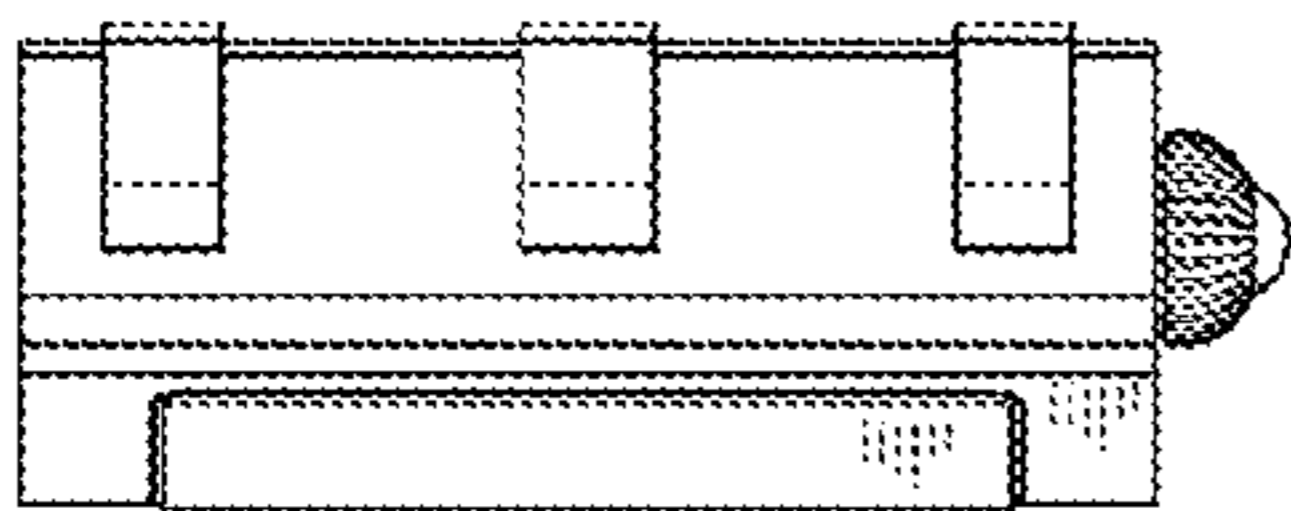


FIG.5

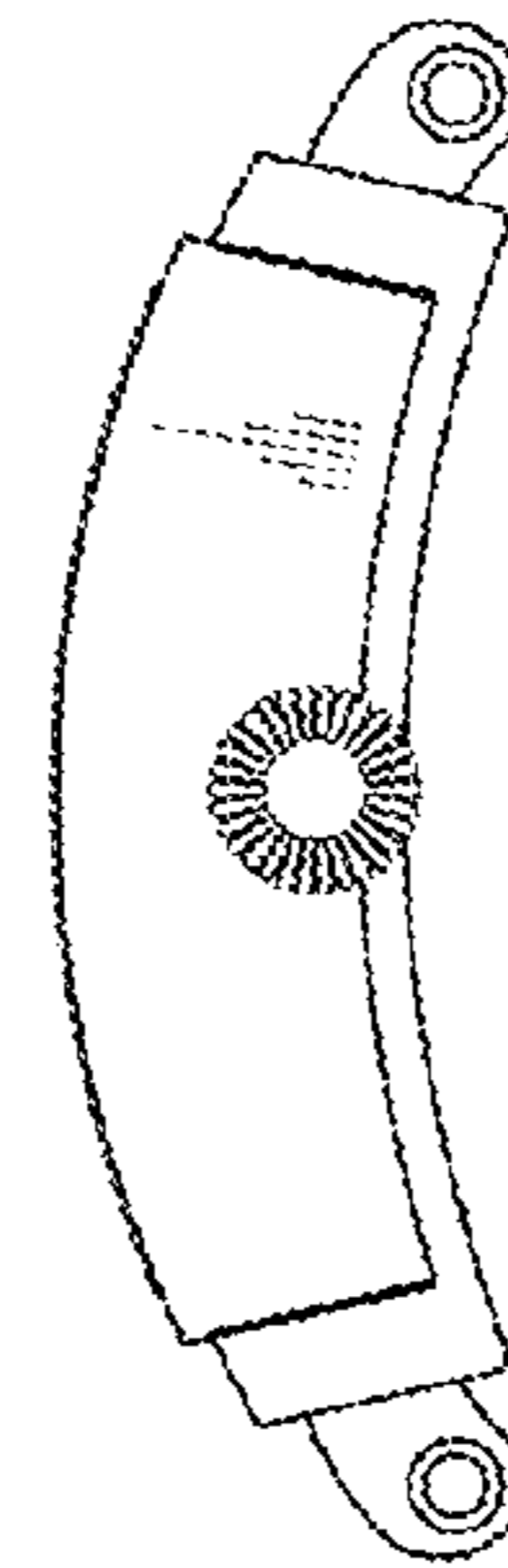


FIG.6

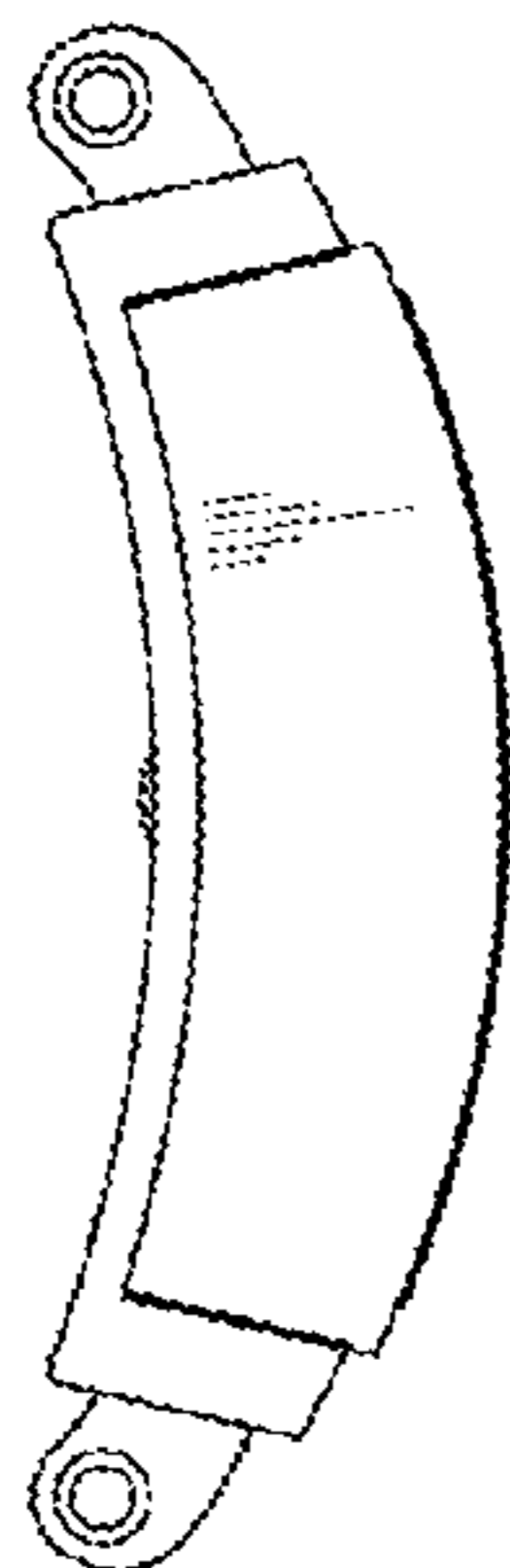


FIG.7