



US00D558607S

(12) **United States Design Patent**
Harris

(10) **Patent No.:** **US D558,607 S**

(45) **Date of Patent:** **** Jan. 1, 2008**

(54) **WRISTWATCH**

(76) **Inventor:** **Ronald Lawrence Harris**, 3412 W.
Caton Ave., Baltimore, MD (US) 21229

(**) **Term:** **14 Years**

(21) **Appl. No.:** **29/274,084**

(22) **Filed:** **Mar. 28, 2007**

(51) **LOC (8) Cl.** **10-02**

(52) **U.S. Cl.** **D10/32**

(58) **Field of Classification Search** D10/30,
D10/31, 32, 38, 39, 123-126; 368/276, 277,
368/281, 282, 285, 223, 228, 232, 80; 224/164
See application file for complete search history.

(56) **References Cited**

U.S. PATENT DOCUMENTS

D229,084 S *	11/1973	Giordano	D10/124
D231,662 S *	5/1974	Fusillo	D10/32
D233,851 S *	12/1974	Miramón	D10/123
D302,133 S *	7/1989	Woomer	D10/39

D303,635 S *	9/1989	Kurzina	D10/32
D434,335 S *	11/2000	Amstutz	D10/32
D452,171 S *	12/2001	Bodino	D10/32
D470,778 S *	2/2003	Berke	D10/32
D476,582 S *	7/2003	Sugiura	D10/32
D484,814 S *	1/2004	Sugiura	D10/32
D494,874 S *	8/2004	Jorgensen	D10/32
D522,885 S *	6/2006	Le	D10/32

* cited by examiner

Primary Examiner—Lucy Lieberman

(74) *Attorney, Agent, or Firm*—Nathaniel Gordon-Clark

(57) **CLAIM**

The ornamental design for a wristwatch, as shown.

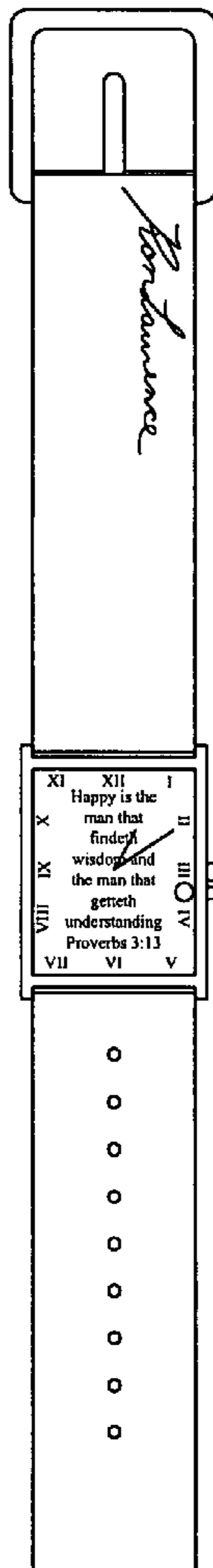
DESCRIPTION

FIG. 1 is a front elevation of a wristwatch showing my new design;

FIG. 2 is a front and right side perspective view thereof; and,

FIG. 3 is a rear and right side perspective view thereof.

1 Claim, 3 Drawing Sheets



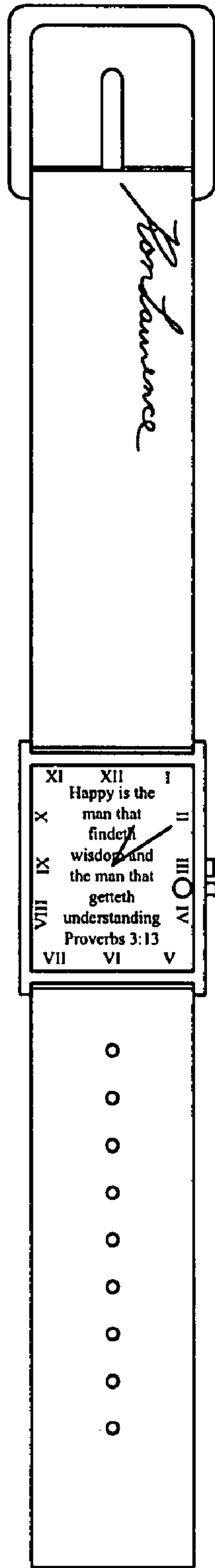


FIG. 1

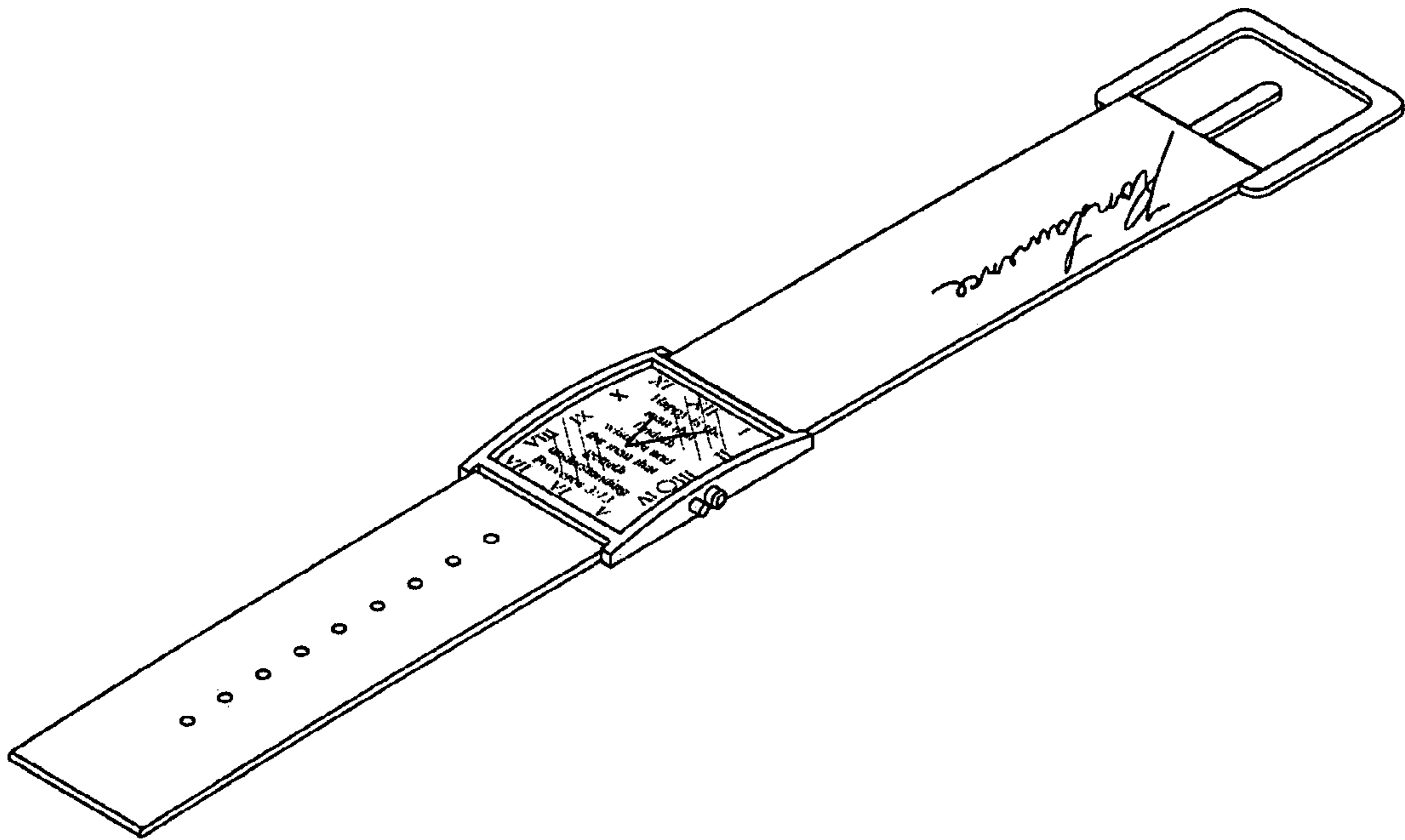


FIG. 2

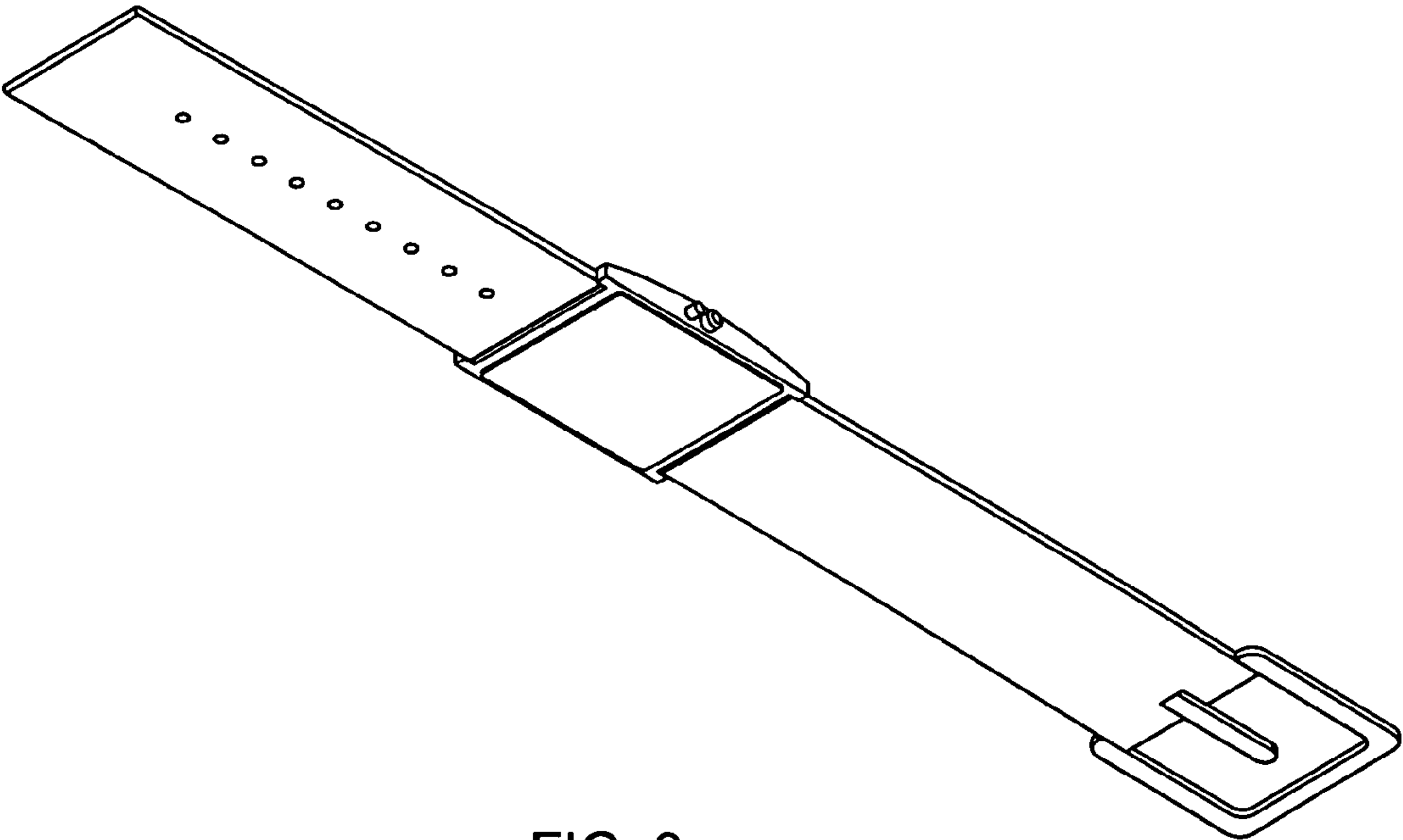


FIG. 3