



US00D558597S

(12) **United States Design Patent**
Schreiter et al.

(10) **Patent No.:** **US D558,597 S**

(45) **Date of Patent:** **** *Jan. 1, 2008**

(54) **EVACUABLE, RESEALABLE BAG**

(75) Inventors: **Michael E. Schreiter**, Appleton, WI (US); **Mladomir Tomic**, Appleton, WI (US); **Paul A. Tilman**, Sherwood, WI (US); **Paul J. Tretina**, Glen Allen, VA (US)

(73) Assignee: **Alcoa Inc.**, Pittsburgh, PA (US)

(**) Term: **14 Years**

(21) Appl. No.: **29/250,551**

(22) Filed: **Nov. 20, 2006**

(51) **LOC (8) Cl.** **09-05**

(52) **U.S. Cl.** **D9/709**

(58) **Field of Classification Search** D9/704-710, D9/713-714, 720-722, 430-433, 414, 418, D9/424; 383/103, 107, 114, 200, 203, 205, 383/84, 113, 45, 47, 100, 108; 229/200, 229/87.06, 87.08; 426/106

See application file for complete search history.

(56) **References Cited**

U.S. PATENT DOCUMENTS

D103,446 S *	3/1937	Amend	D9/705
D386,671 S *	11/1997	Park	D9/713
5,881,881 A *	3/1999	Carrington	206/524.8
5,996,800 A *	12/1999	Pratt	206/524.8

(Continued)

FOREIGN PATENT DOCUMENTS

WO	WO 2004/002840	A1	1/2004
WO	WO 2004/002841	A1	1/2004
WO	WO 2004/002850	A1	1/2004
WO	WO 2005/000706	A1	1/2005
WO	WO 2007/001469	A1	1/2007

Primary Examiner—Caron D. Veynar

Assistant Examiner—Abraham Bahta

(74) *Attorney, Agent, or Firm*—Greenberg Traurig LLP; Paul F. McQuade; James Goepel

(57) **CLAIM**

The ornamental design for an evacuable, resealable bag, as shown and described.

DESCRIPTION

FIG. 1 is a perspective view of the evacuable, resealable bag, showing an embodiment of the present design;

FIG. 2 is a front elevation view of the embodiment of the present design illustrated in FIG. 1;

FIG. 3 is a rear elevation view of the embodiment of the present design illustrated in FIG. 1;

FIG. 4 is a right elevation view of the embodiment of the present design illustrated in FIG. 1;

FIG. 5 is a left elevation view of the embodiment of the present design illustrated in FIG. 1;

FIG. 6 is a top plan view of the embodiment of the present design illustrated in FIG. 1;

FIG. 7 is a bottom plan view of the embodiment of the present design illustrated in FIG. 1.

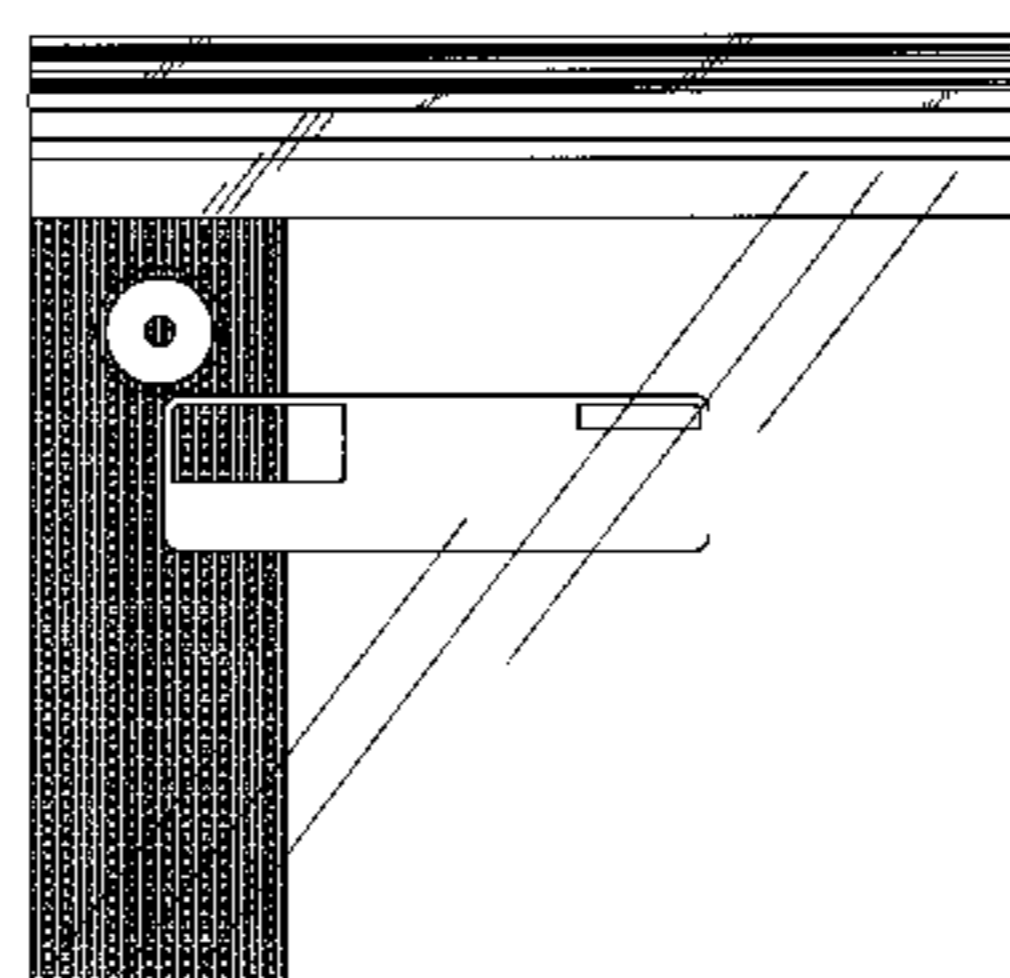
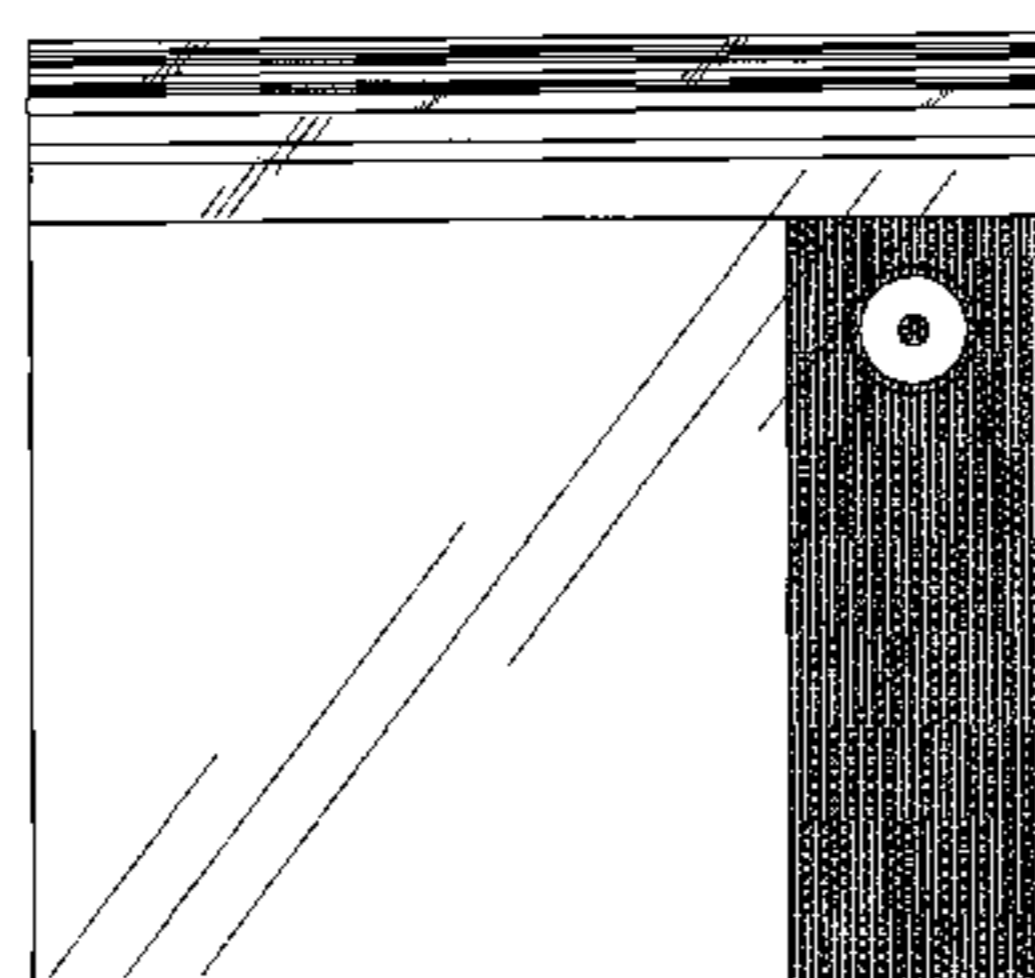
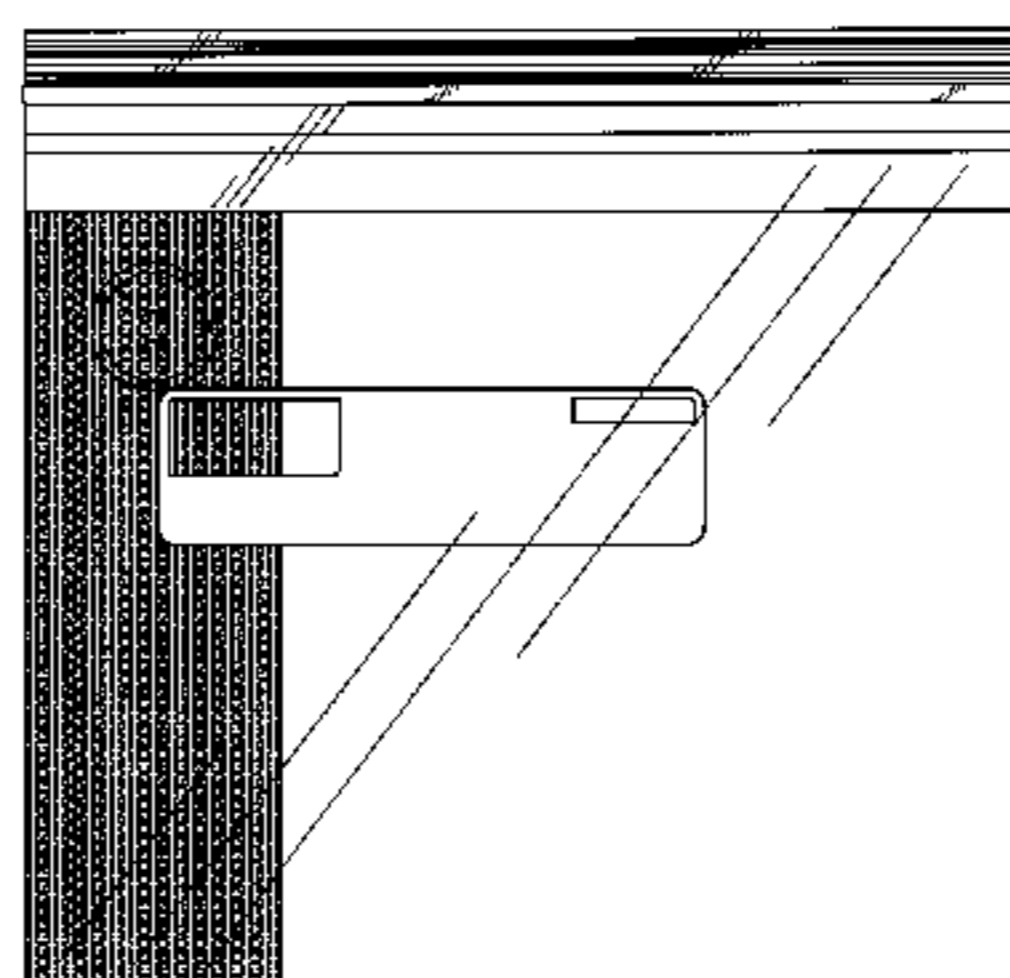
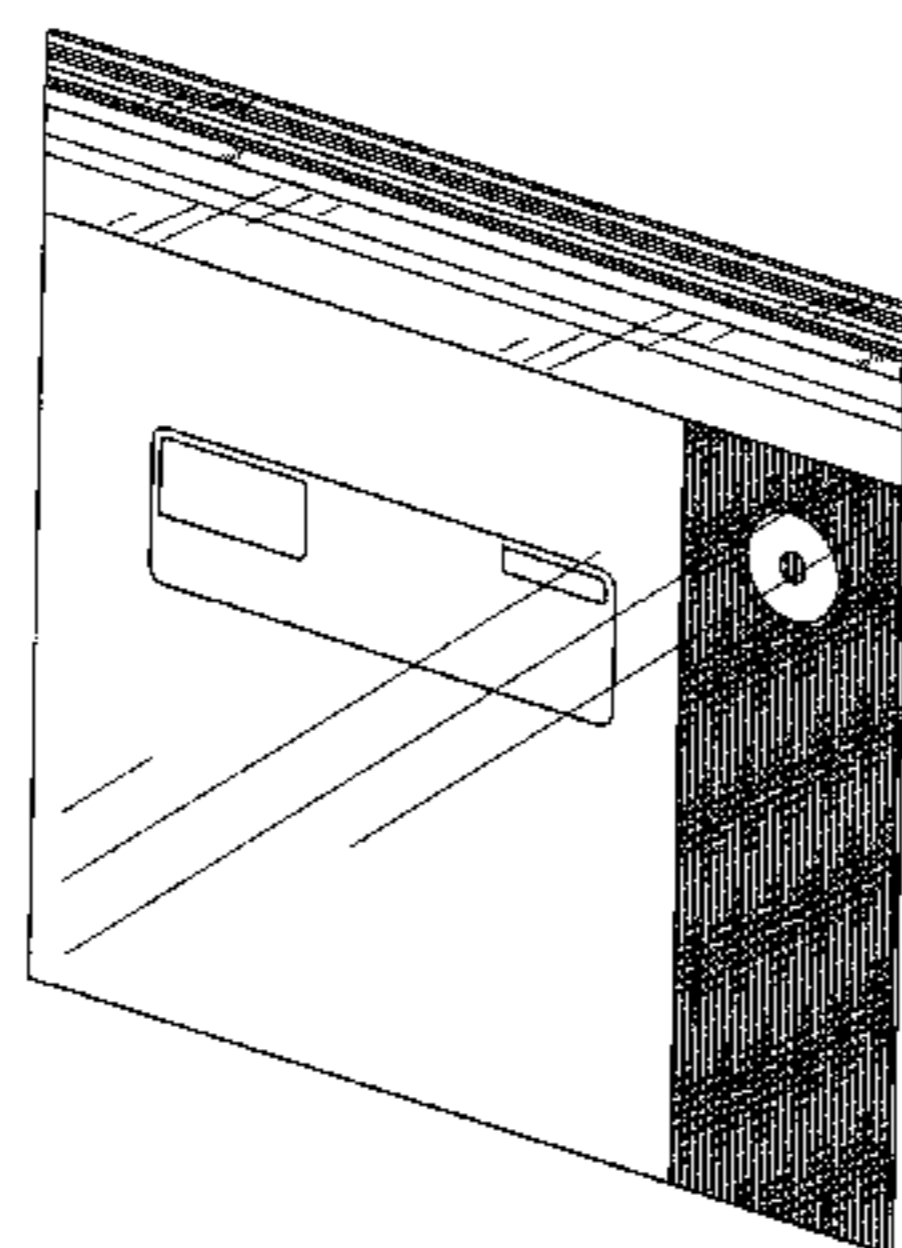
FIG. 8 is an exploded perspective view of the present design illustrated in FIG. 1;

FIG. 9 is a front elevation view of a second embodiment of the present design without a writing surface;

FIG. 10 is a rear elevation view of a third embodiment of the present design wherein the writing surface is on the rear of the bag; and,

FIG. 11 is a front elevation view of a fourth embodiment of the present design illustrating an alternative valve location.

1 Claim, 9 Drawing Sheets



US D558,597 S

Page 2

U.S. PATENT DOCUMENTS

D421,307 S *	2/2000	Harmanoglu	D24/216	2005/0079308 A1	4/2005	Tanaka
6,279,581 B1 *	8/2001	Knepper	131/329	2005/0172577 A1	8/2005	Oltrogge
6,550,966 B1 *	4/2003	Saad et al.	383/103	2005/0244083 A1	11/2005	McMahon
6,932,509 B2 *	8/2005	Shah et al.	383/103	2005/0286808 A1	12/2005	Zimmerman
6,964,519 B2	11/2005	ErkenBrack		2006/0048483 A1	3/2006	Tilman
6,983,845 B2 *	1/2006	Shah et al.	206/524.8	2006/0182371 A1	8/2006	Borchardt
7,004,632 B2 *	2/2006	Hamilton et al.	383/103	2006/0280387 A1	12/2006	Zimmerman
7,137,738 B2 *	11/2006	Shah et al.	383/103	2006/0280388 A1	12/2006	Zimmerman
2004/0114837 A1	6/2004	Yoshihiro		2006/0280389 A1	12/2006	Zimmerman
2005/0025396 A1	2/2005	ErkenBrack		2006/0283148 A1	12/2006	Zimmerman

* cited by examiner

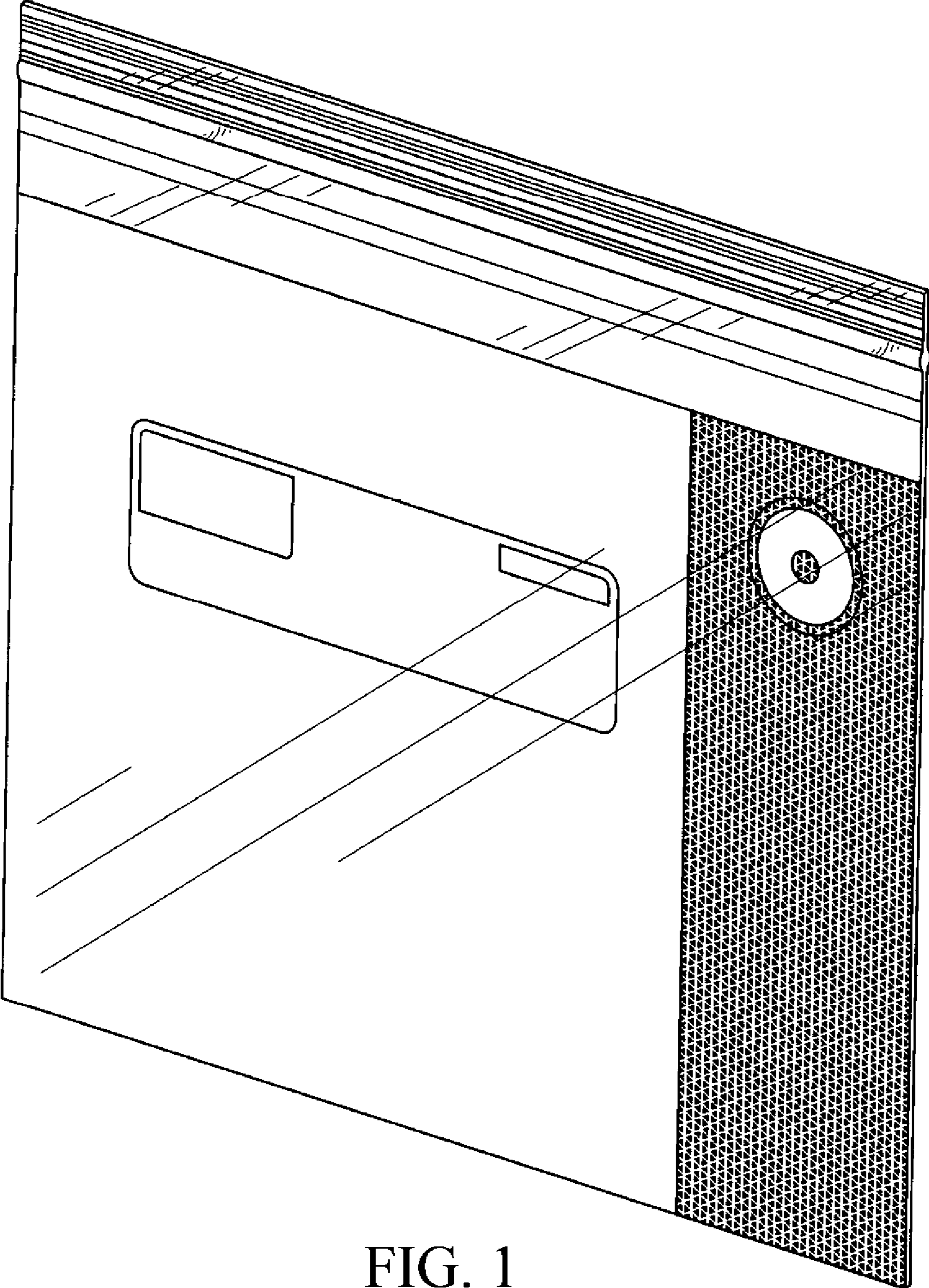


FIG. 1

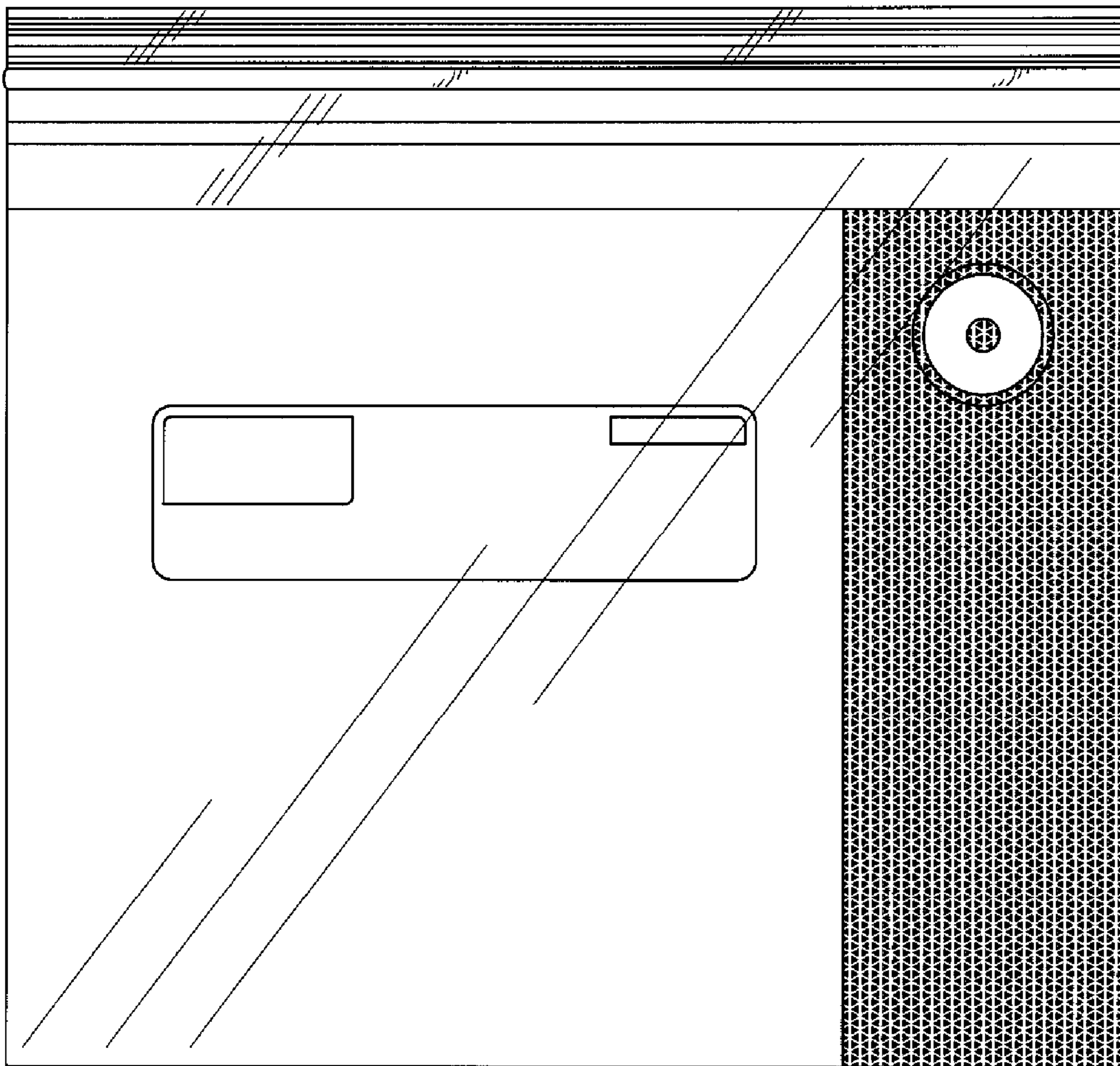


FIG. 2

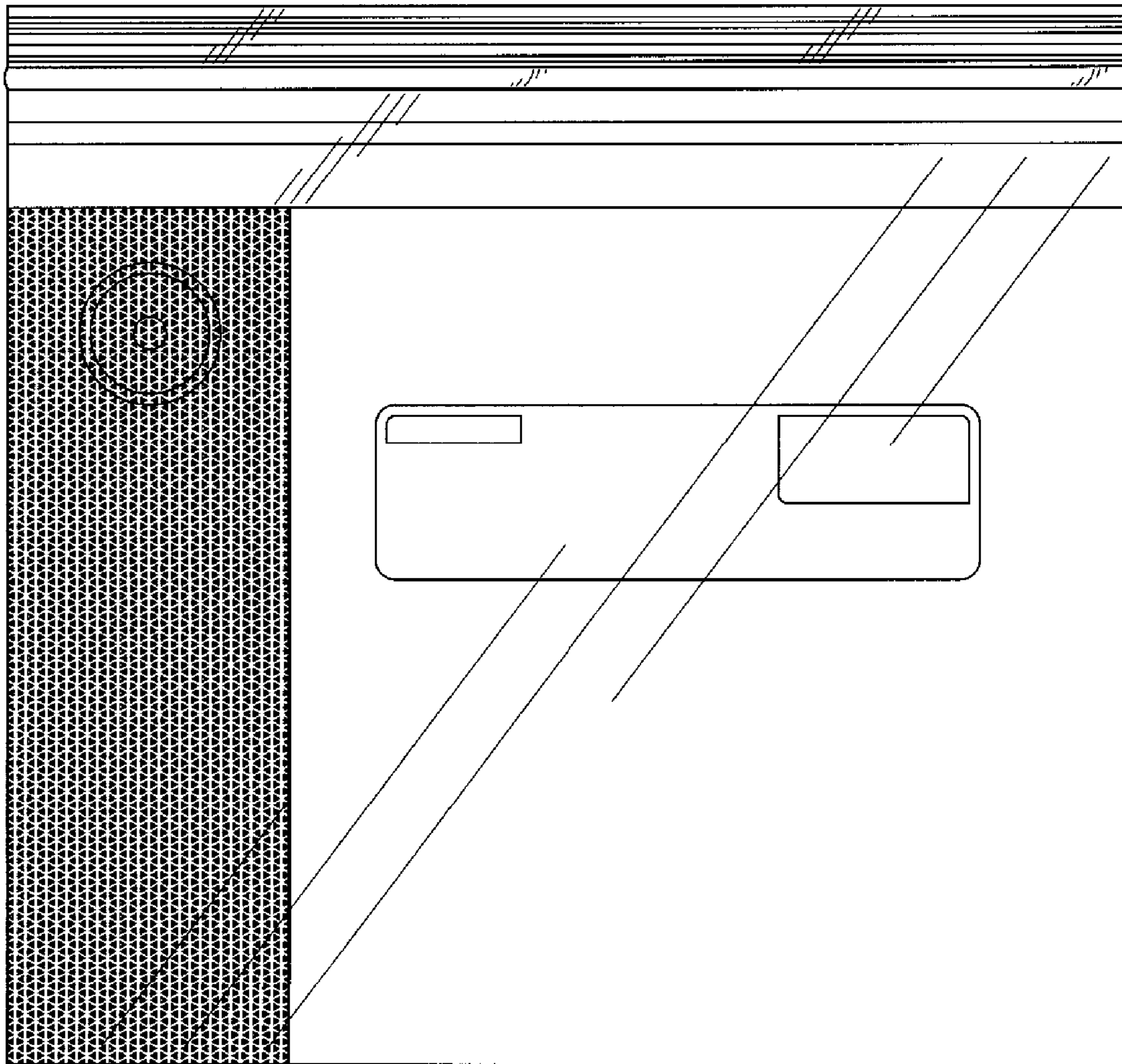


FIG. 3



FIG. 4



FIG. 5

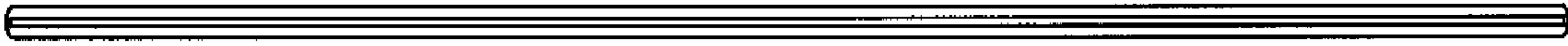


FIG. 6

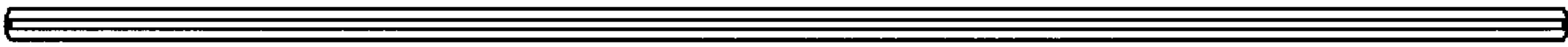


FIG. 7

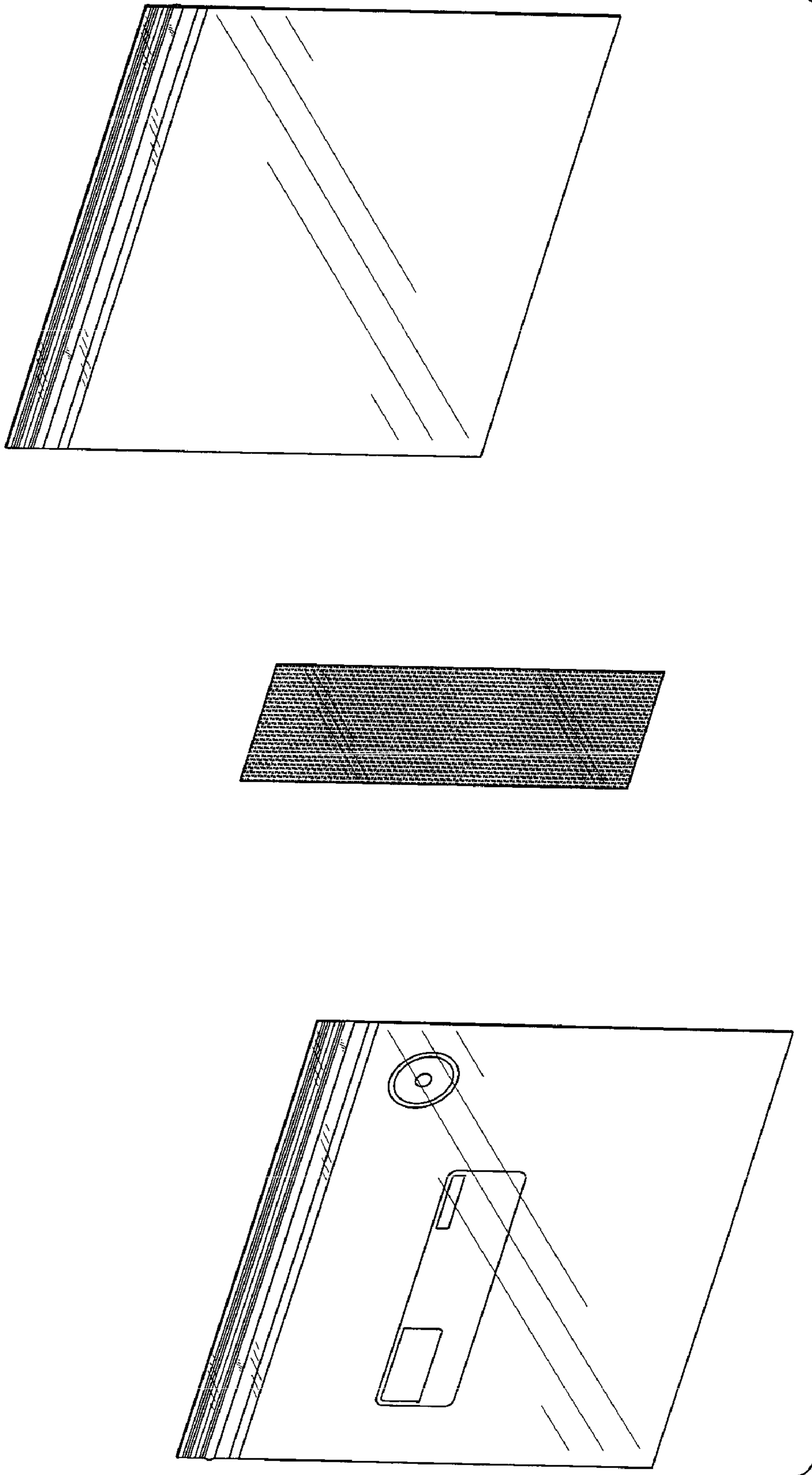


FIG. 8

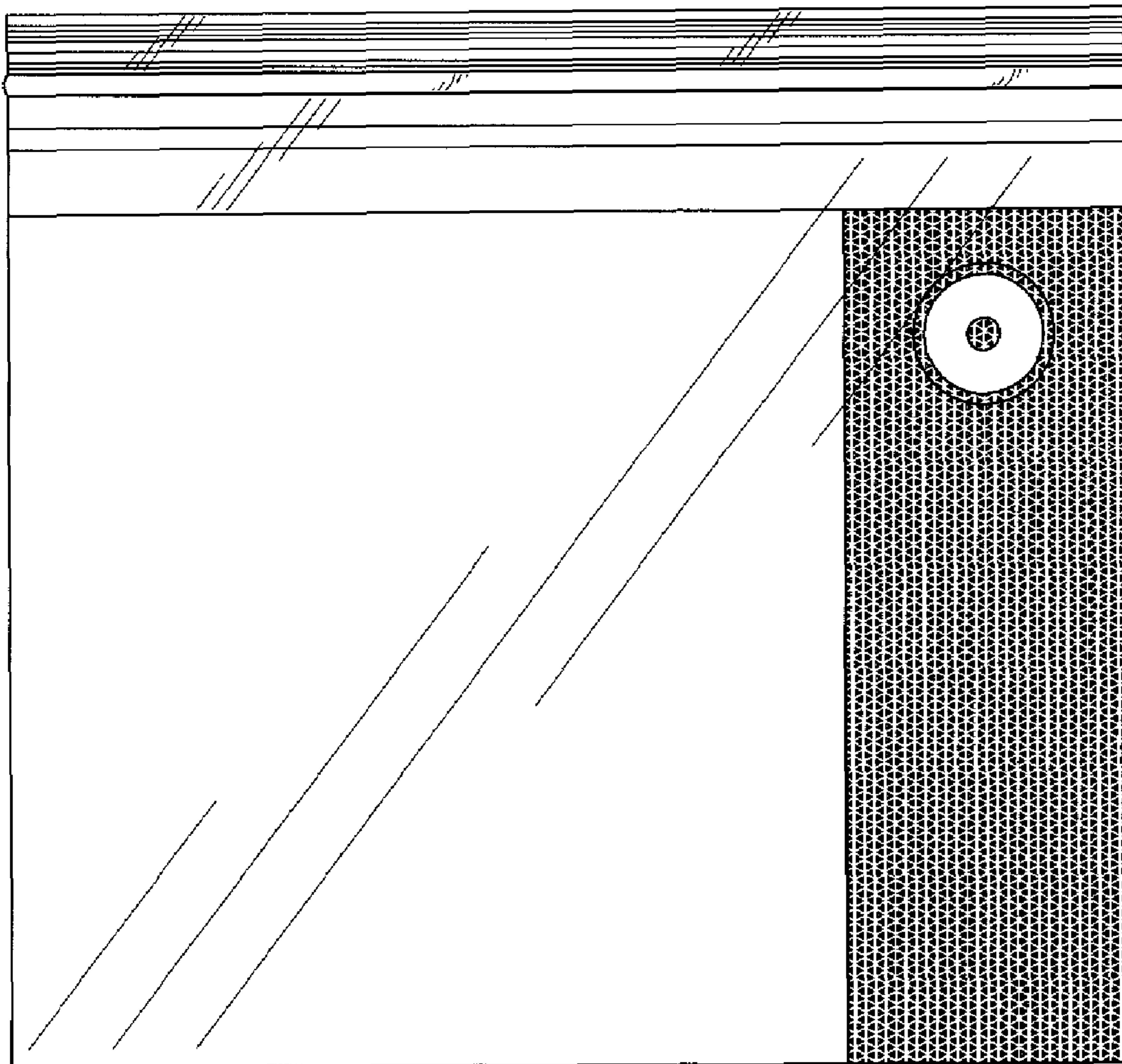


FIG. 9

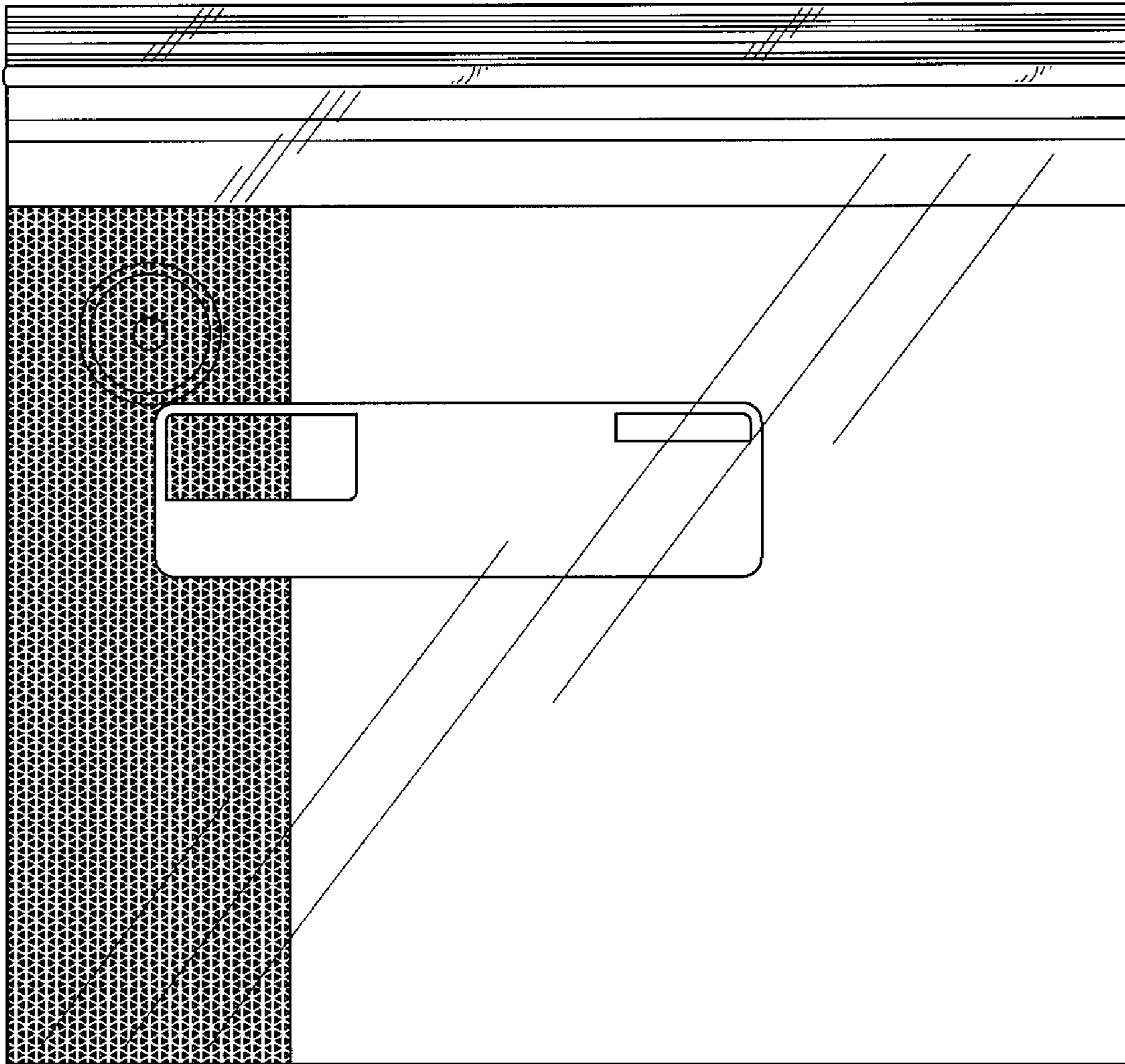


FIG. 10

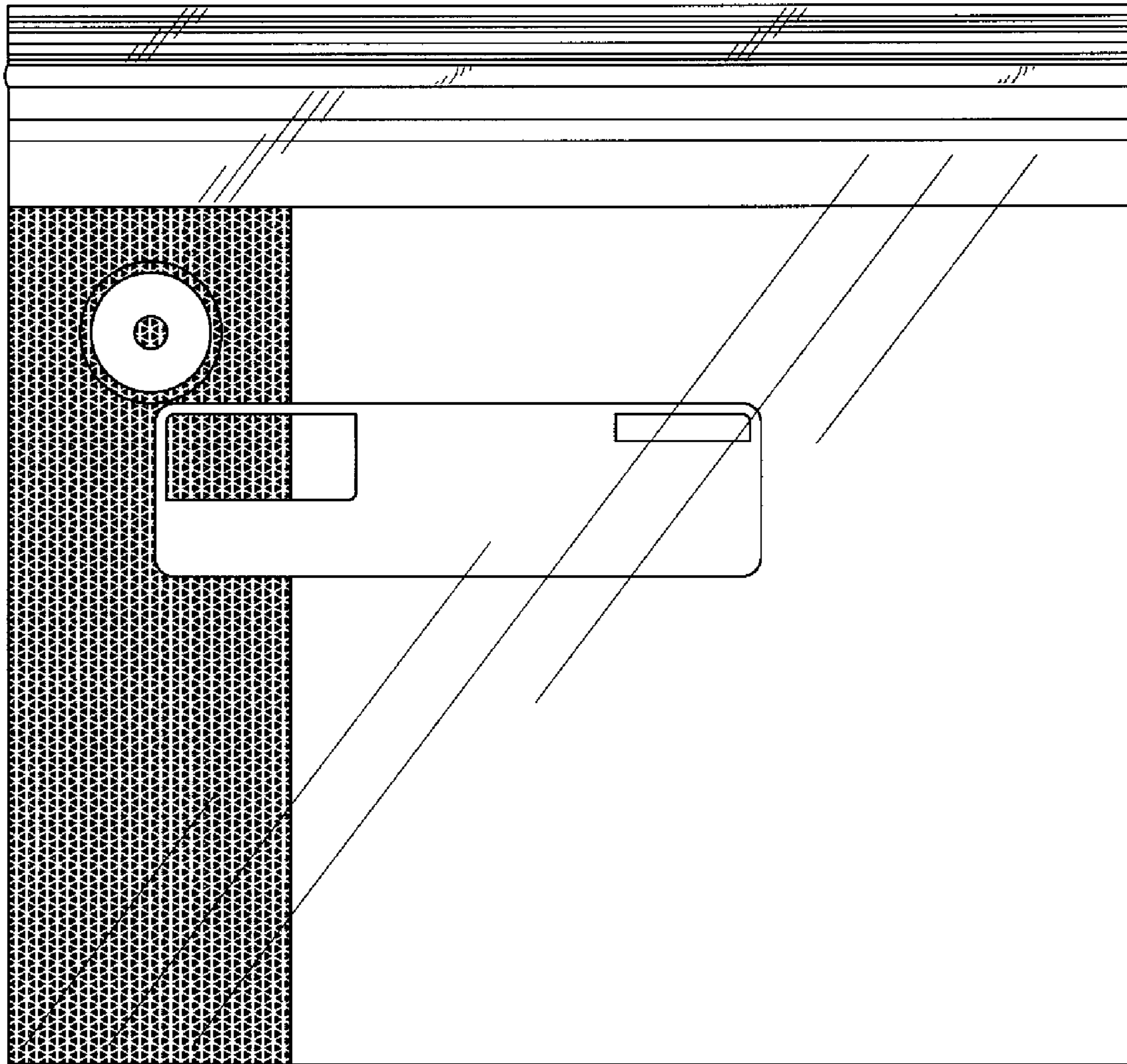


FIG. 11