



US00D558596S

(12) **United States Design Patent**
Berman

(10) **Patent No.:** **US D558,596 S**

(45) **Date of Patent:** **** Jan. 1, 2008**

(54) **ELONGATE PILLOW POUCH**

(76) **Inventor:** **Ronald H. Berman**, 203 Argonne Ave.,
Long Beach, CA (US) 90803

(**) **Term:** **14 Years**

(21) **Appl. No.:** **29/281,423**

(22) **Filed:** **Jun. 22, 2007**

(51) **LOC (8) Cl.** **09-05**

(52) **U.S. Cl.** **D9/708**

(58) **Field of Classification Search** D9/702-703,
D9/705-711, 714, 414, 433, 435, 452-454;
222/92, 107, 525, 212, 541.5; 383/120, 906,
383/3, 42, 80, 103; 215/316, 328; 220/200,
220/260, 288, 907; 224/148.1, 148.2; 428/34.3,
428/35.2

See application file for complete search history.

(56) **References Cited**

U.S. PATENT DOCUMENTS

- D243,121 S * 1/1977 Ralston et al. D24/118
- D304,546 S * 11/1989 Cattach D9/708
- D307,385 S * 4/1990 Kimura D9/697
- D318,611 S * 7/1991 Sherman D9/710
- D358,468 S * 5/1995 Howard D24/122
- D396,630 S * 8/1998 Lerner D9/709
- D409,481 S * 5/1999 Smith et al. D9/697

- D451,804 S * 12/2001 Bell D9/434
- D453,295 S * 2/2002 Bell et al. D9/710
- D465,726 S * 11/2002 Tet D9/708
- D478,504 S * 8/2003 Crozet et al. D9/708
- D548,612 S * 8/2007 Berman D9/708

* cited by examiner

Primary Examiner—Caron D. Veynar

Assistant Examiner—Abraham Bahta

(74) *Attorney, Agent, or Firm*—Fulwider Patton LLP

(57) **CLAIM**

The ornamental design for a elongate pillow pouch, as shown and described.

DESCRIPTION

FIG. 1 is perspective view of an elongated pillow pouch showing my new design;

FIG. 2 is a rear view thereof;

FIG. 3 is a front view thereof;

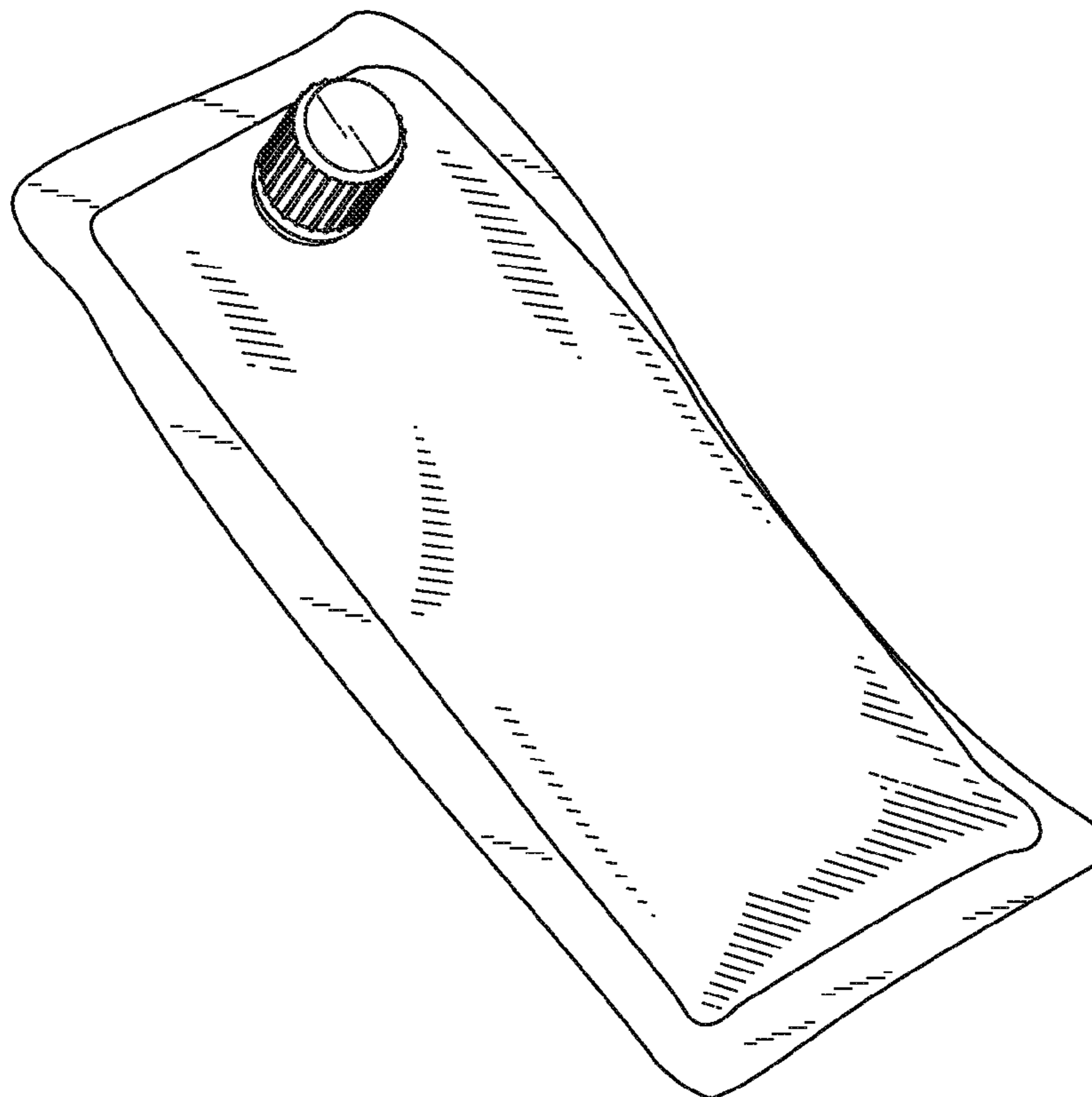
FIG. 4 is a first side view thereof;

FIG. 5 is a second side view thereof;

FIG. 6 is a top view thereof; and,

FIG. 7 is a bottom view thereof.

1 Claim, 4 Drawing Sheets



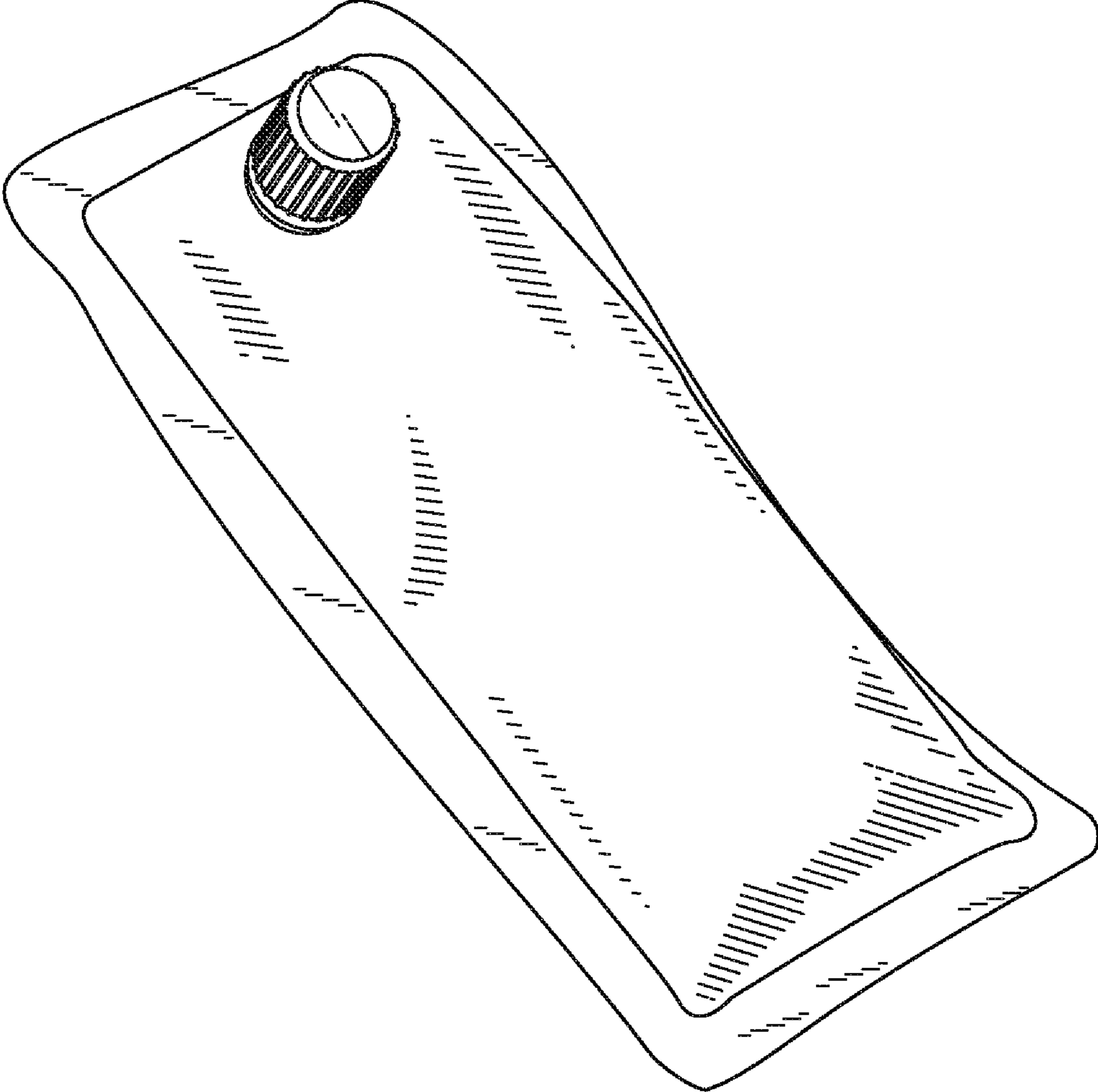


FIG. 1

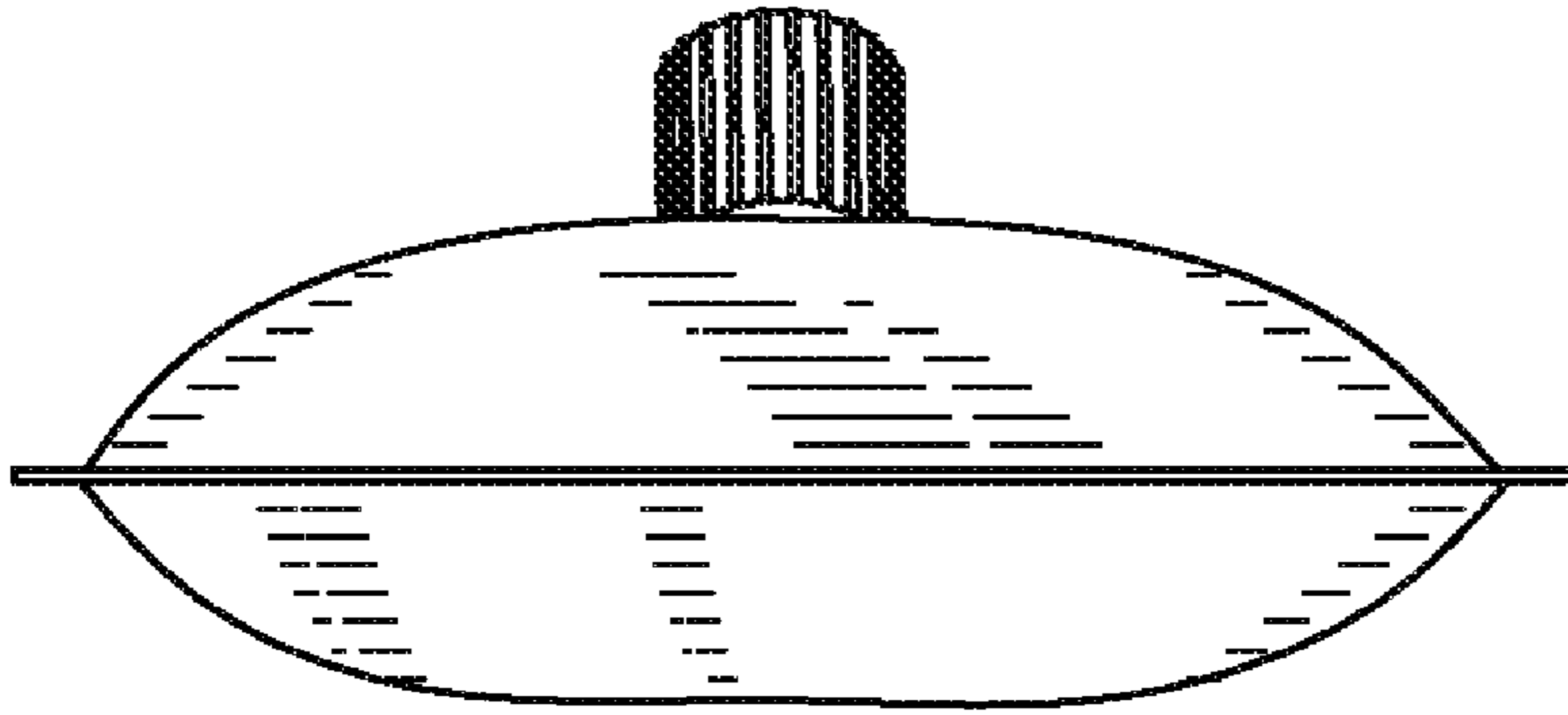


FIG. 2

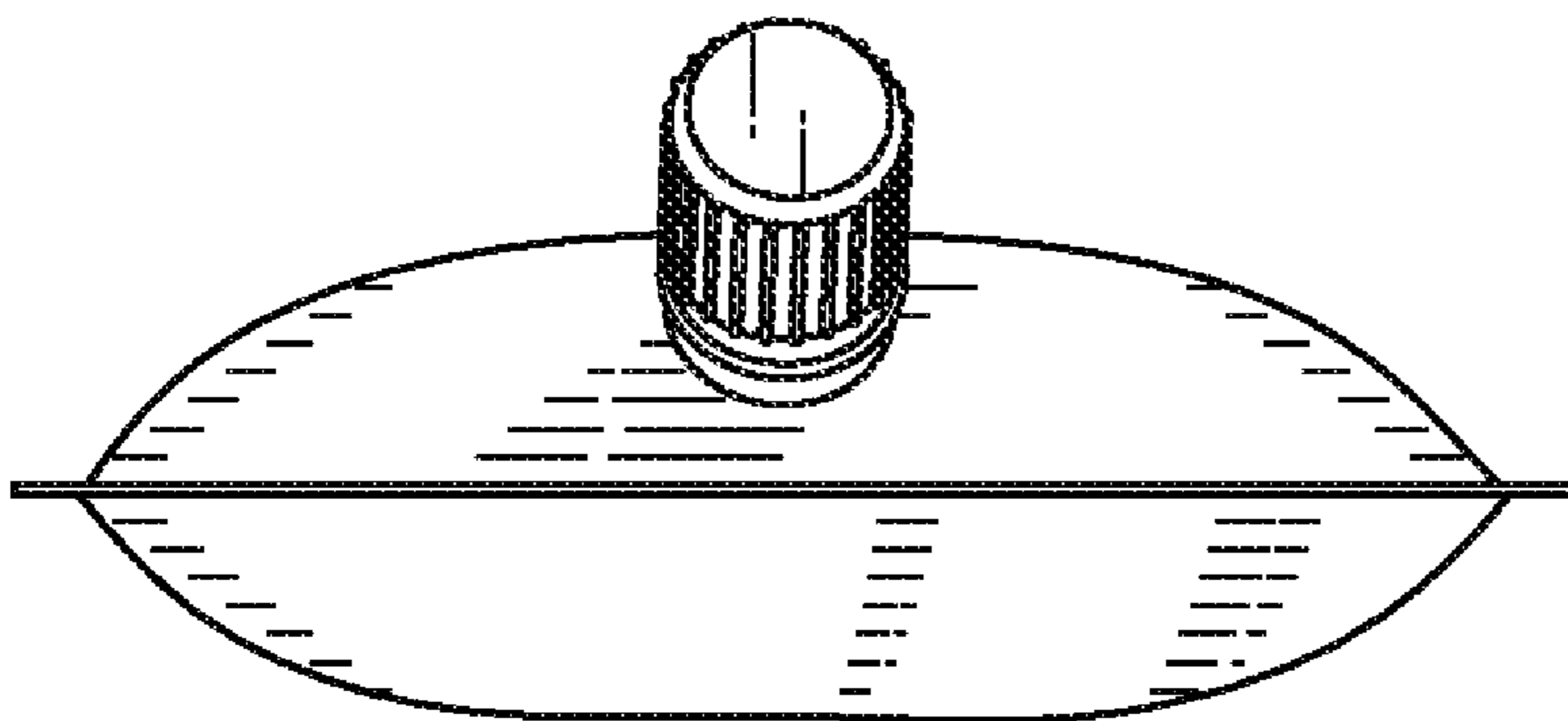


FIG. 3



FIG. 4



FIG. 5

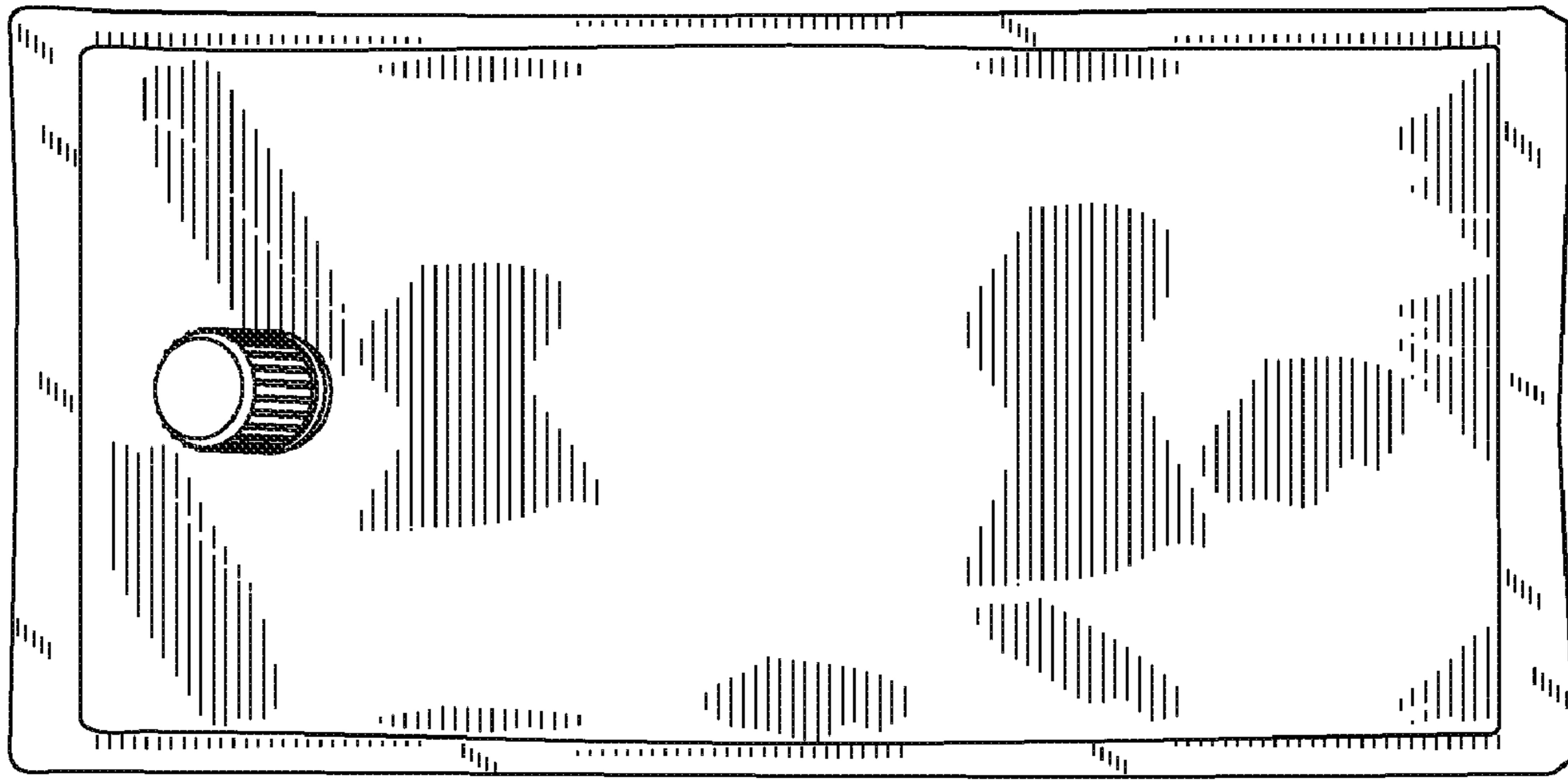


FIG. 6

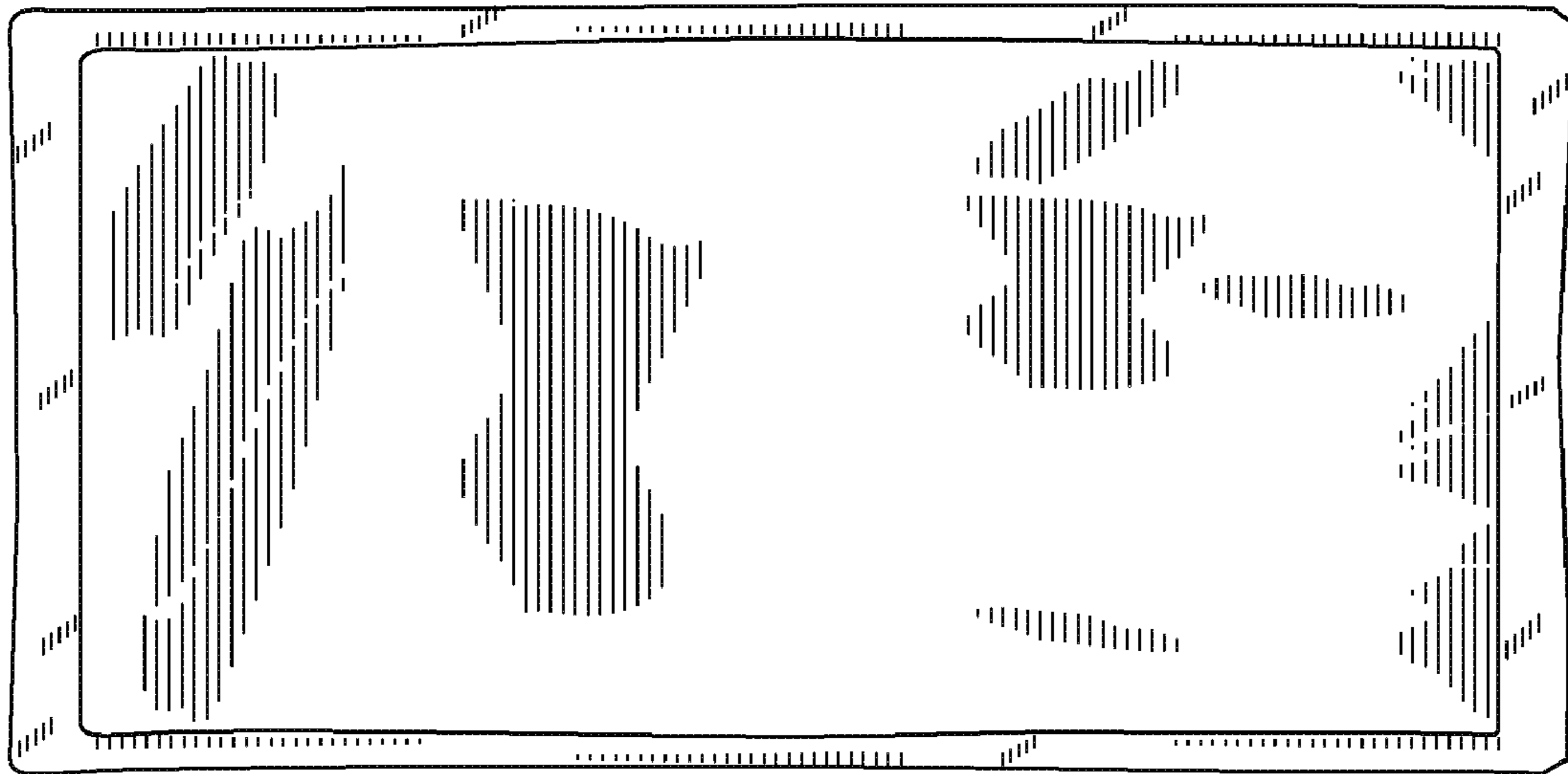


FIG. 7