



US00D558584S

(12) **United States Design Patent**
Blank

(10) **Patent No.:** **US D558,584 S**

(45) **Date of Patent:** **** Jan. 1, 2008**

(54) **CONTAINER WITH HORIZONTAL GROOVES**

(75) Inventor: **Phil Blank**, Scottsdale, AZ (US)

(73) Assignee: **Captive Plastics, Inc.**, Piscataway, NJ (US)

(**) Term: **14 Years**

(21) Appl. No.: **29/250,997**

(22) Filed: **Dec. 8, 2006**

(51) **LOC (8) Cl.** **09-01**

(52) **U.S. Cl.** **D9/560**

(58) **Field of Classification Search** D9/516,
D9/520, 530, 537-543, 549, 551-552, 556-561,
D9/564-565, 569-575; 215/379-384; 220/660-661,
220/669, 675

See application file for complete search history.

(56) **References Cited**

U.S. PATENT DOCUMENTS

D450,244 S * 11/2001 Rashid D9/503

* cited by examiner

Primary Examiner—Ian Simmons

Assistant Examiner—Dana L Sipos

(74) *Attorney, Agent, or Firm*—Caesar, Rivise, Bernstein, Cohen & Pokotilow, Ltd.

(57) **CLAIM**

I claim the ornamental design for a container with horizontal grooves, as shown and described.

DESCRIPTION

FIG. 1 is a top perspective view of a container showing my new design;

FIG. 2 is a front elevational view thereof;

FIG. 3 is a rear side elevational view thereof;

FIG. 4 is a left side elevational view thereof;

FIG. 5 is a right side elevational view thereof;

FIG. 6 is a top plan view thereof; and,

FIG. 7 is a bottom plan view thereof.

1 Claim, 6 Drawing Sheets

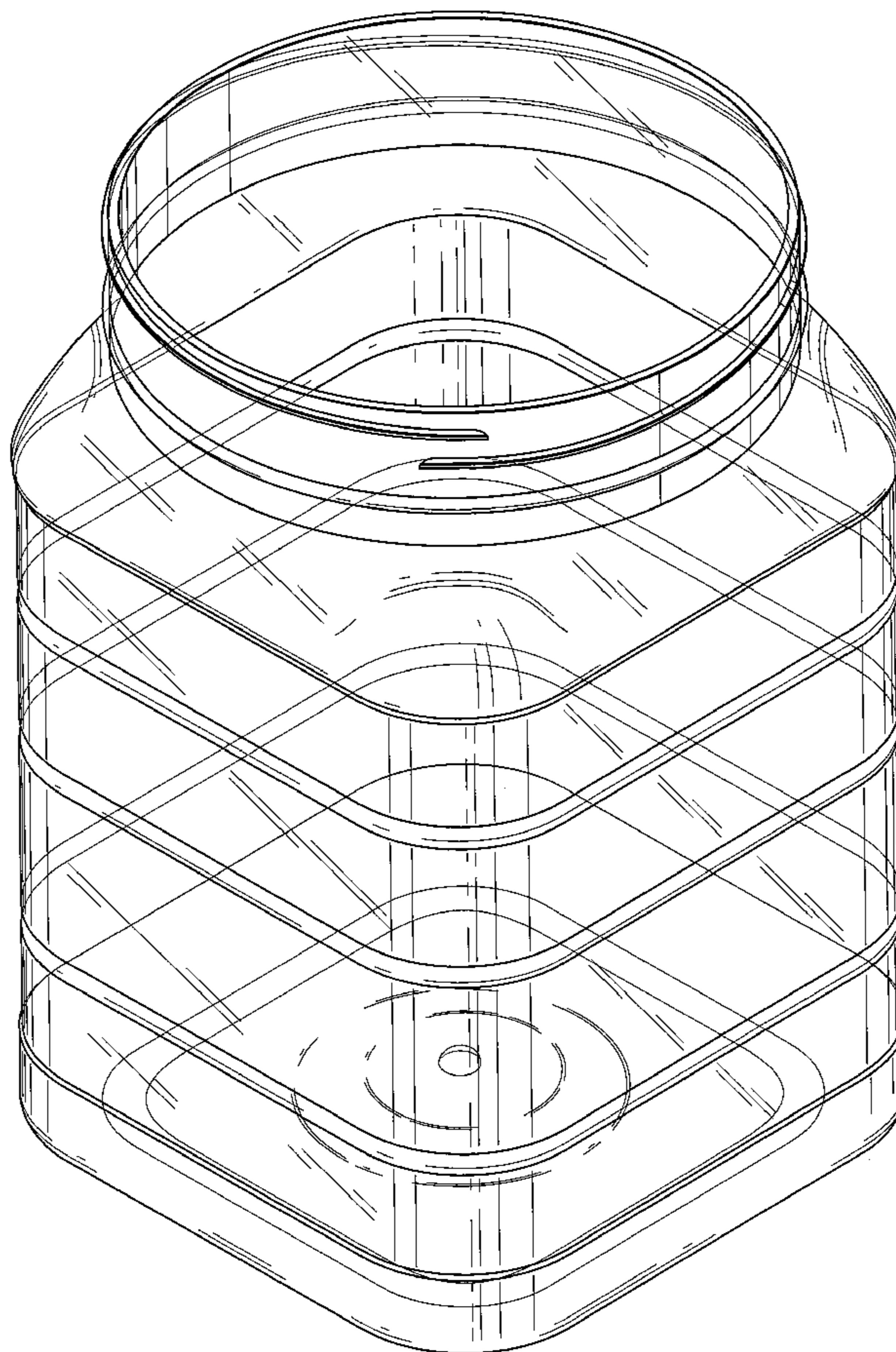
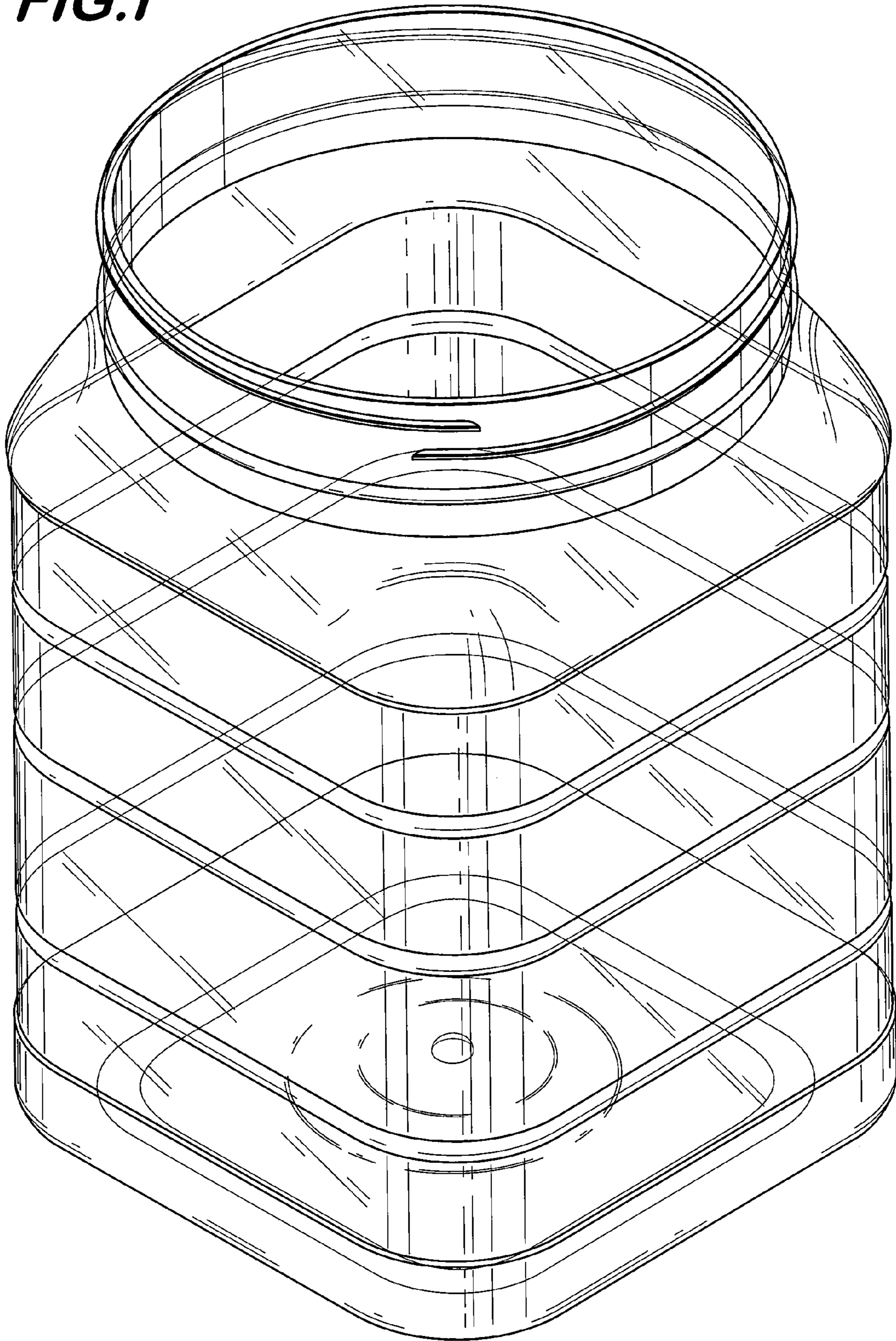


FIG. 1



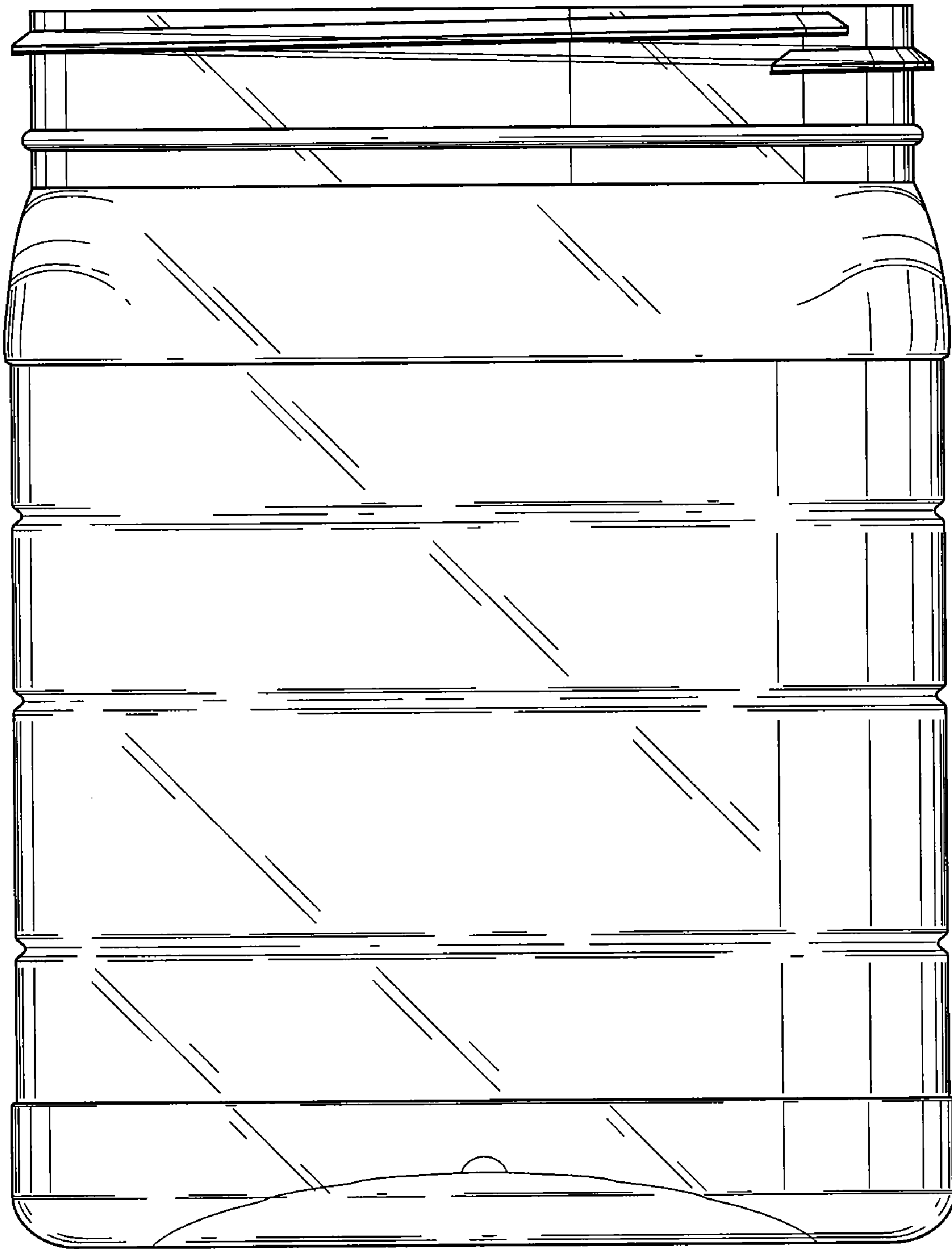


FIG. 2

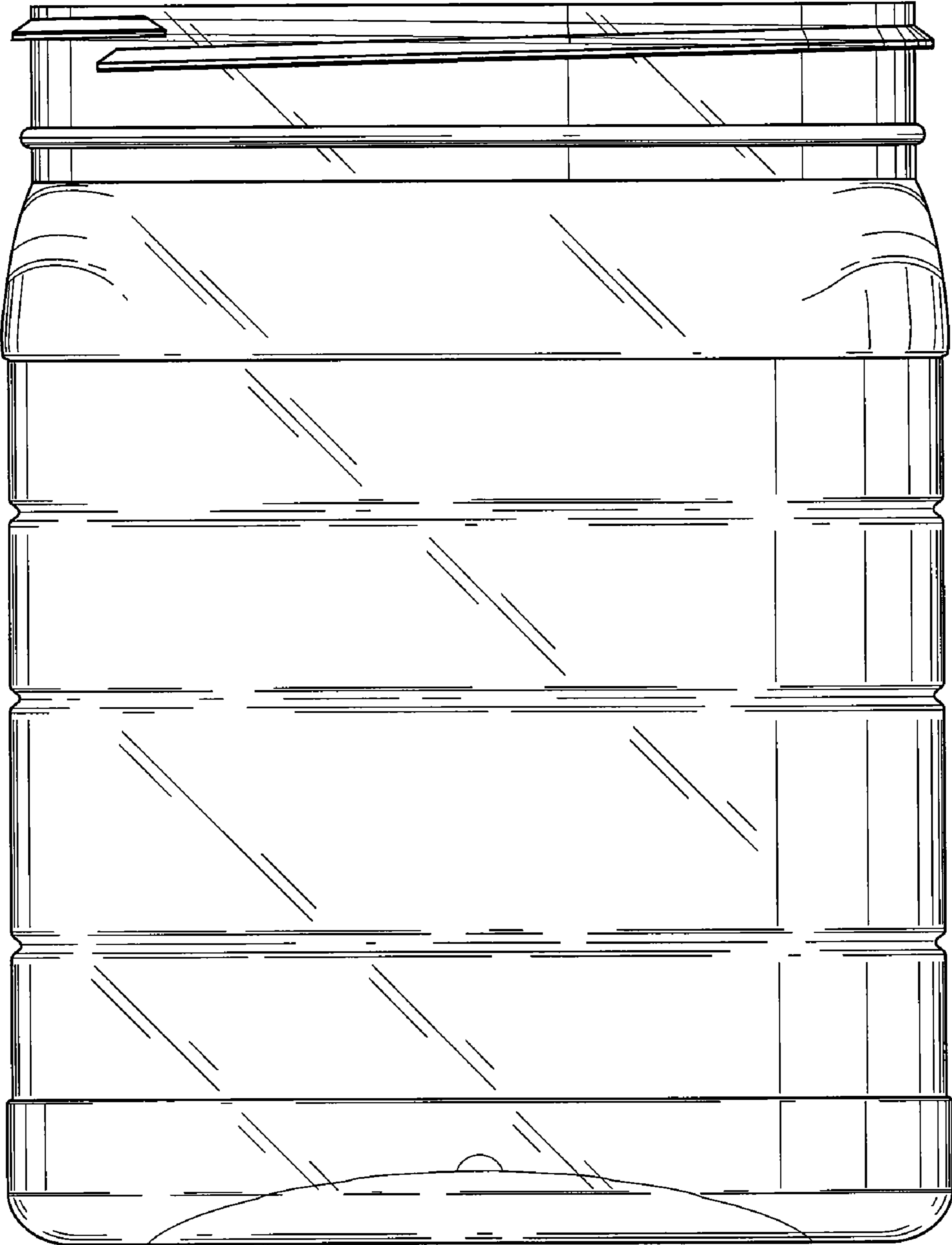


FIG. 3

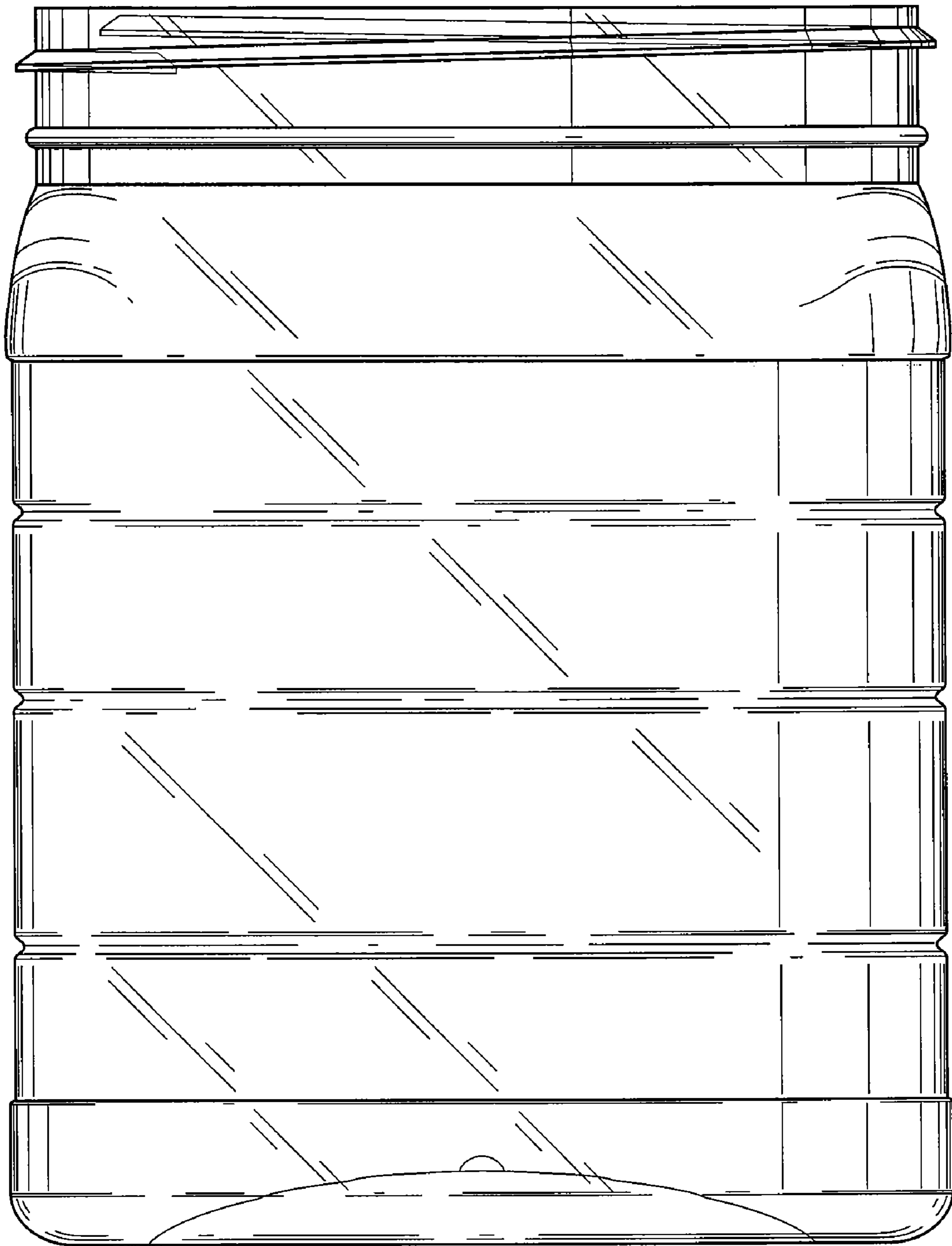


FIG. 4

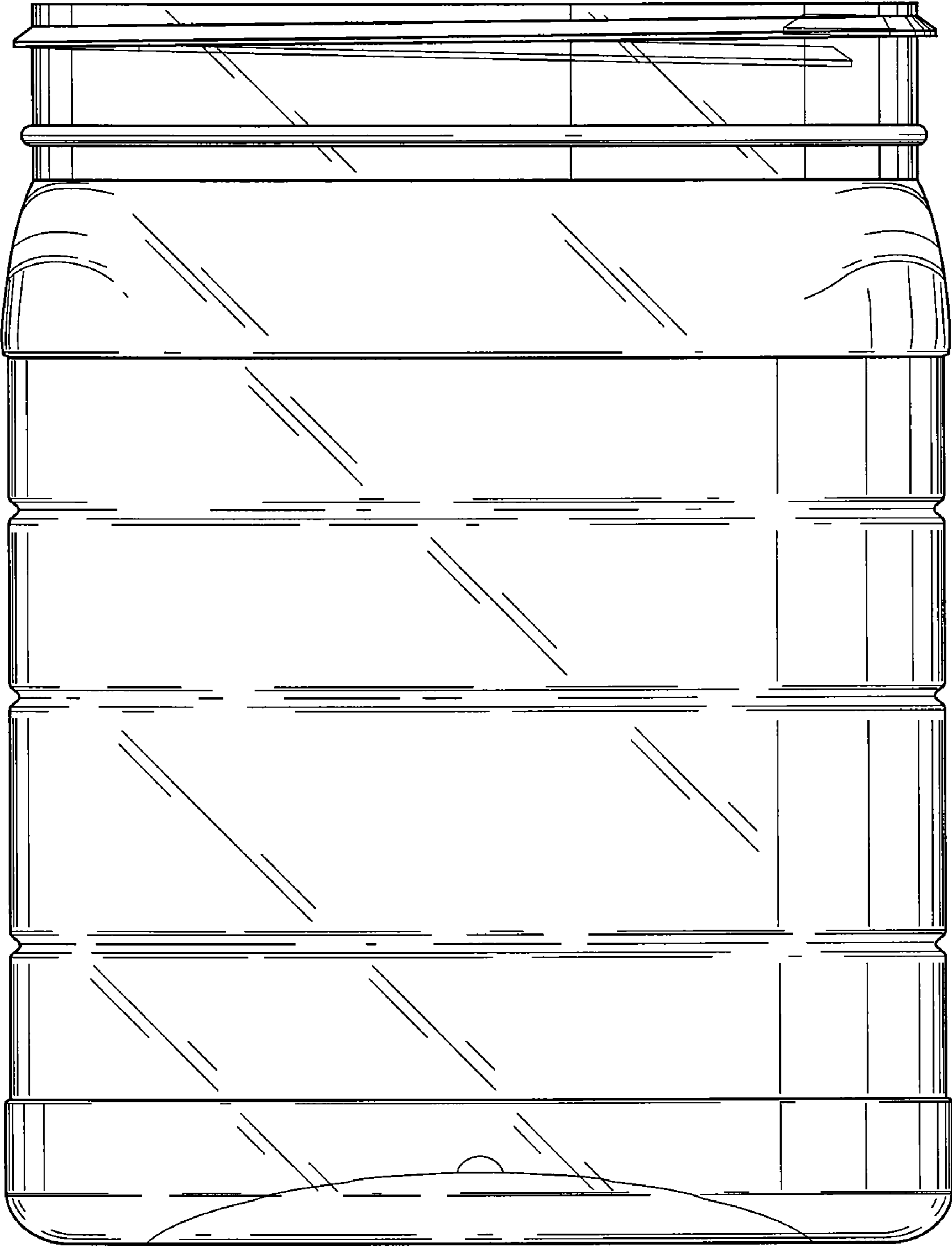


FIG. 5

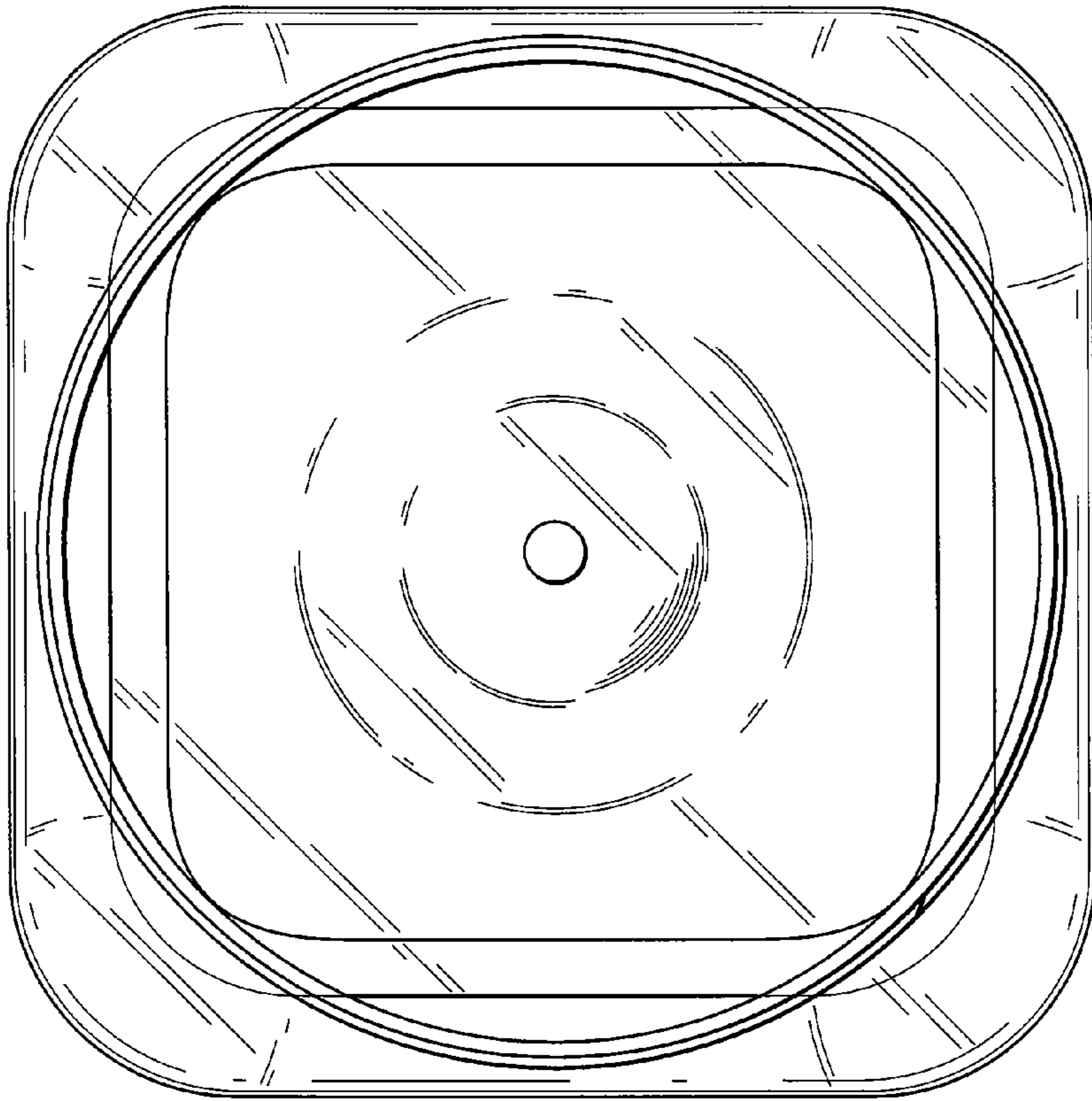


FIG. 6

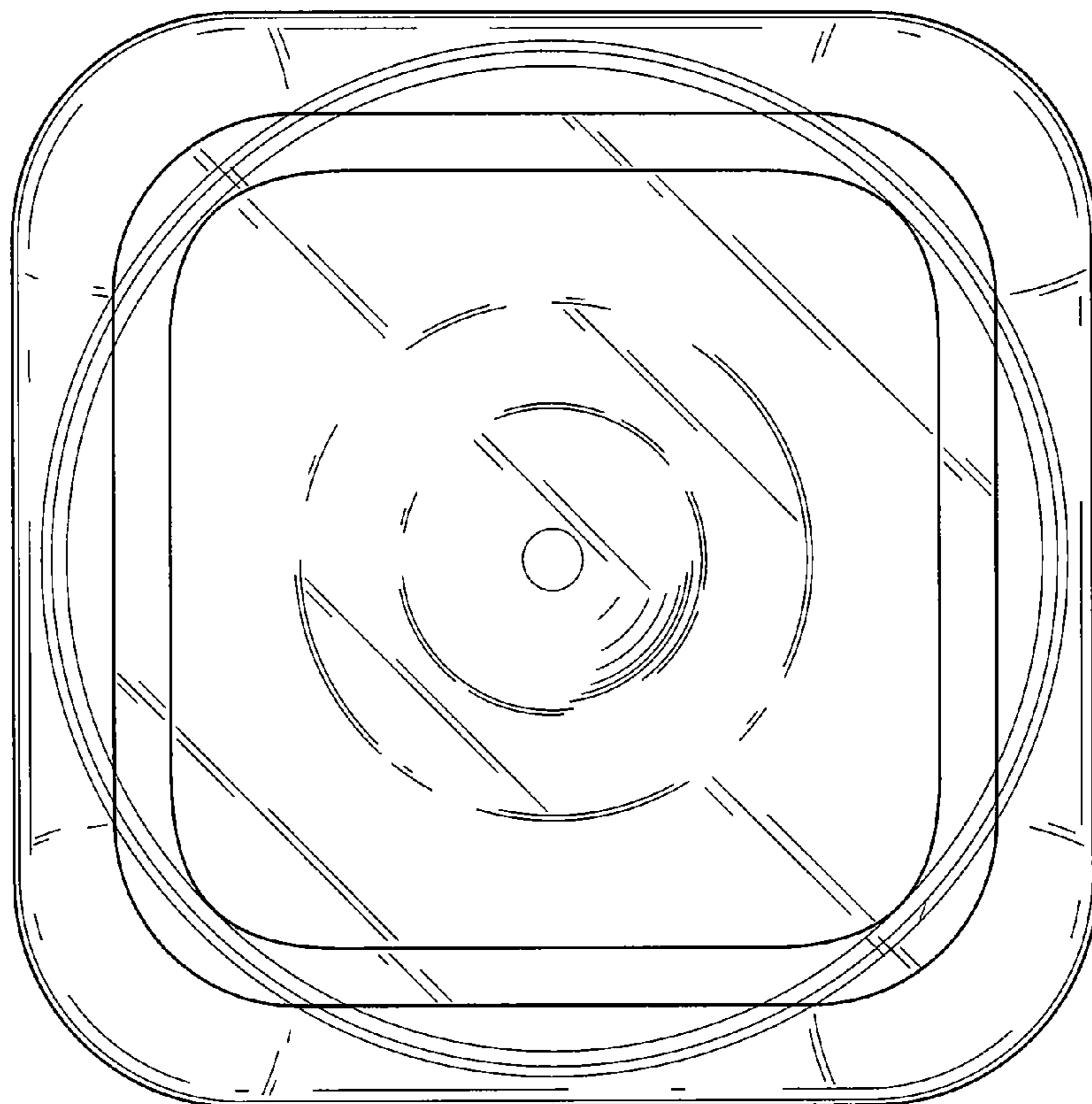


FIG. 7