



US00D558582S

(12) **United States Design Patent**
Venkataraman et al.

(10) **Patent No.:** **US D558,582 S**
(45) **Date of Patent:** **** Jan. 1, 2008**

(54) **BOTTLE**

(75) Inventors: **Shriram Venkataraman**, Danbury, CT (US); **Cherie Eugui**, Valhalla, NY (US); **Dennis Conner**, Merrimack, NH (US)

(73) Assignee: **PepsiCo, Inc.**, Purchase, NY (US)

(**) Term: **14 Years**

(21) Appl. No.: **29/266,221**

(22) Filed: **Sep. 14, 2006**

(51) **LOC (8) Cl.** **09-01**

(52) **U.S. Cl.** **D9/550; D9/552**

(58) **Field of Classification Search** D9/682,
D9/686, 688-691, 516, 537-540, 545-547,
D9/549, 550-554, 556-558, 565-567, 569;
215/382-384, 396, 398; 220/669, 675
See application file for complete search history.

(56) **References Cited**

U.S. PATENT DOCUMENTS

D87,726 S *	9/1932	Miller	D9/551
D379,154 S *	5/1997	Cox	D9/540
D398,855 S *	9/1998	Ito	D9/537
D401,860 S *	12/1998	Mentasti Granelli	D9/538
D429,166 S *	8/2000	Ogg	D9/552
D466,023 S *	11/2002	Eickmeier	D9/552
D466,415 S *	12/2002	Reis	D9/552
D496,280 S *	9/2004	Mero et al.	D9/538
D509,436 S *	9/2005	Mero et al.	D9/538

D509,746 S *	9/2005	Mero et al.	D9/538
D510,025 S *	9/2005	Venkataraman et al.	D9/516
D510,271 S *	10/2005	Mero et al.	D9/538
D515,933 S *	2/2006	Mero et al.	D9/538

FOREIGN PATENT DOCUMENTS

GB	2071168	*	3/1998
GB	2099569	*	6/2001
GB	2100386	*	7/2001
GB	2103344	*	9/2001

* cited by examiner

Primary Examiner—Carol Rademaker

(74) *Attorney, Agent, or Firm*—Banner & Witcoff, Ltd.

(57) **CLAIM**

The ornamental design for a bottle, as shown and described.

DESCRIPTION

FIG. 1 is a top, front, and right side perspective view a new design for the bottle;

FIG. 2 is a left side elevational view thereof;

FIG. 3 is a right side elevational view thereof;

FIG. 4 is a rear elevational view thereof;

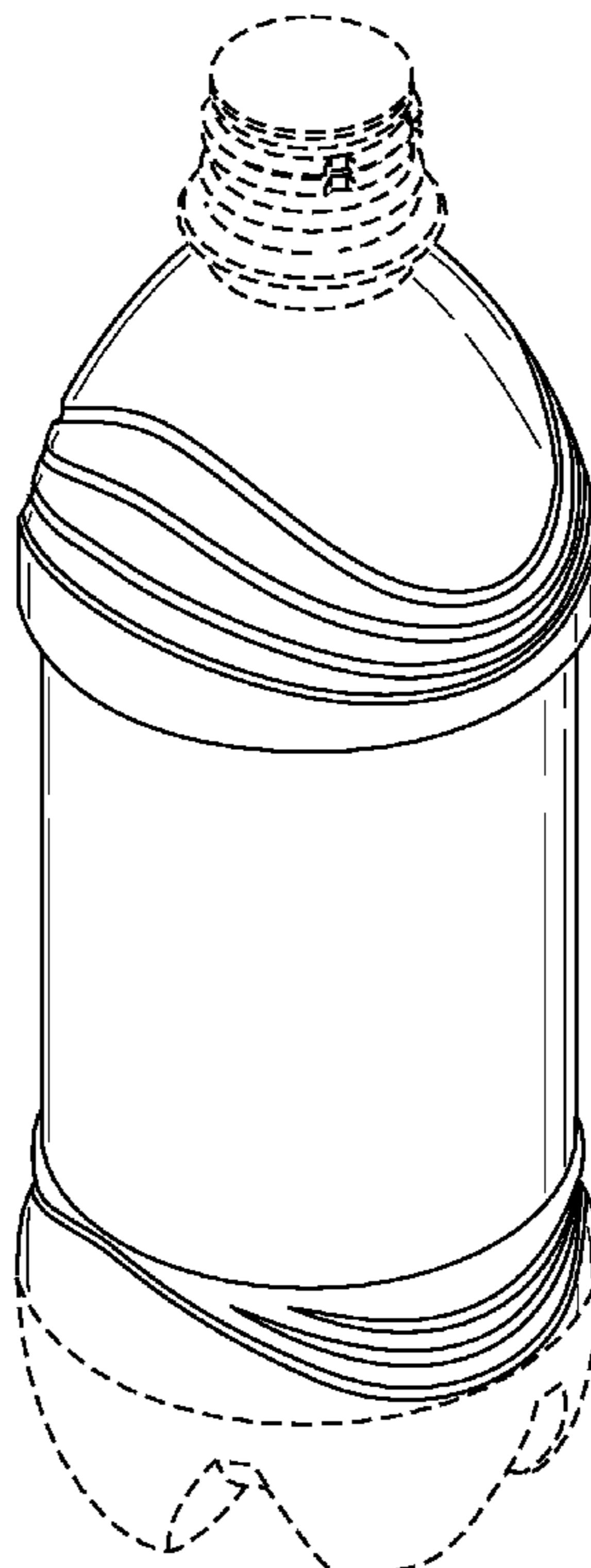
FIG. 5 is a top plan view thereof; and

FIG. 6 is a bottom plan view thereof; and,

FIG. 7 is a front elevational view thereof.

The dash lines shown in the drawings are for illustrative purposes only and form no part of the claimed design.

1 Claim, 3 Drawing Sheets



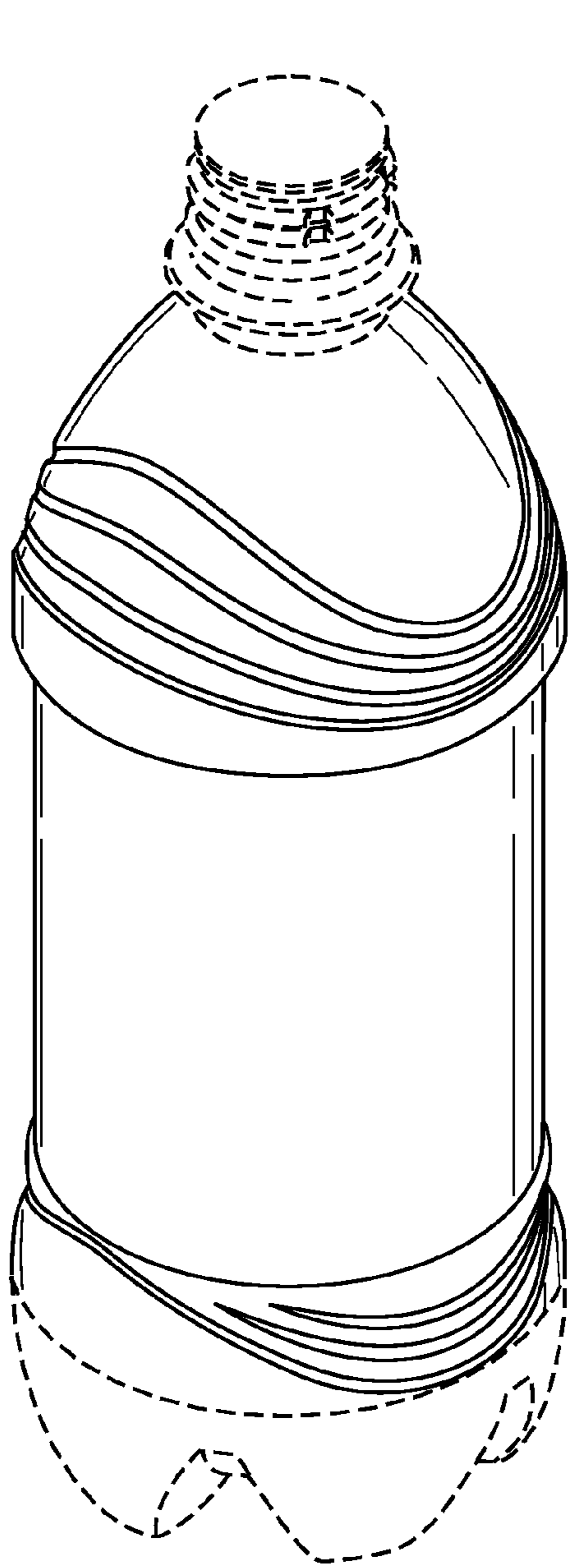


FIG. 1

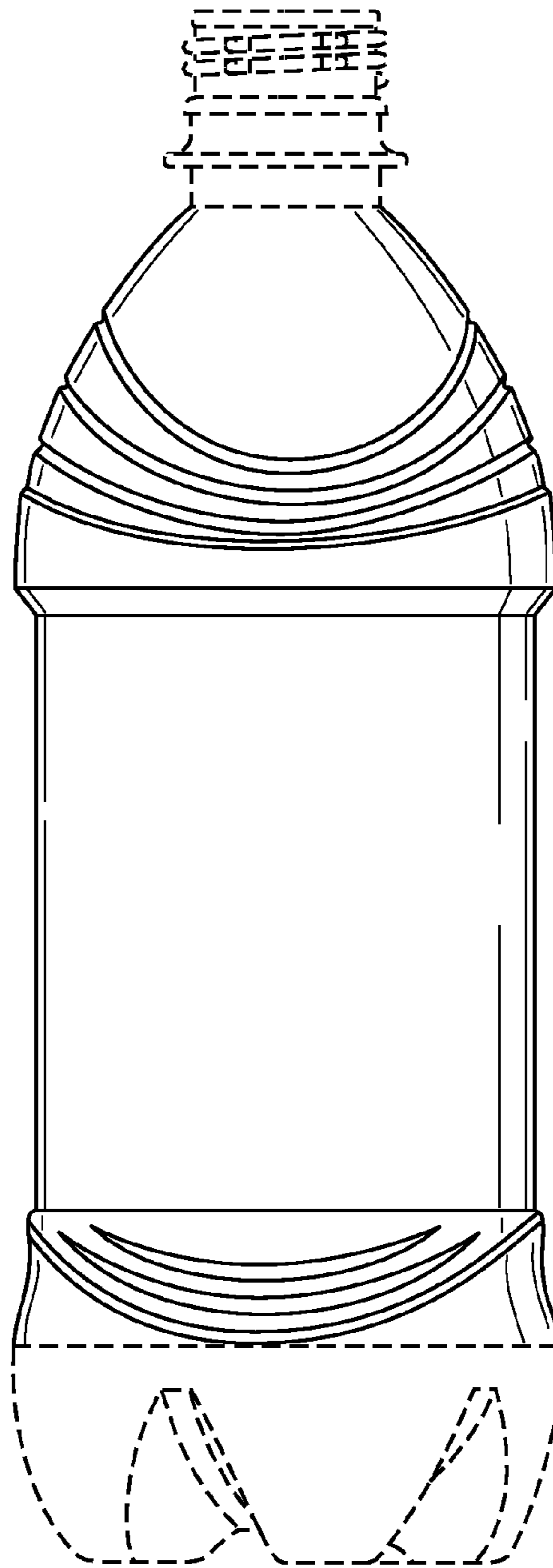


FIG. 2

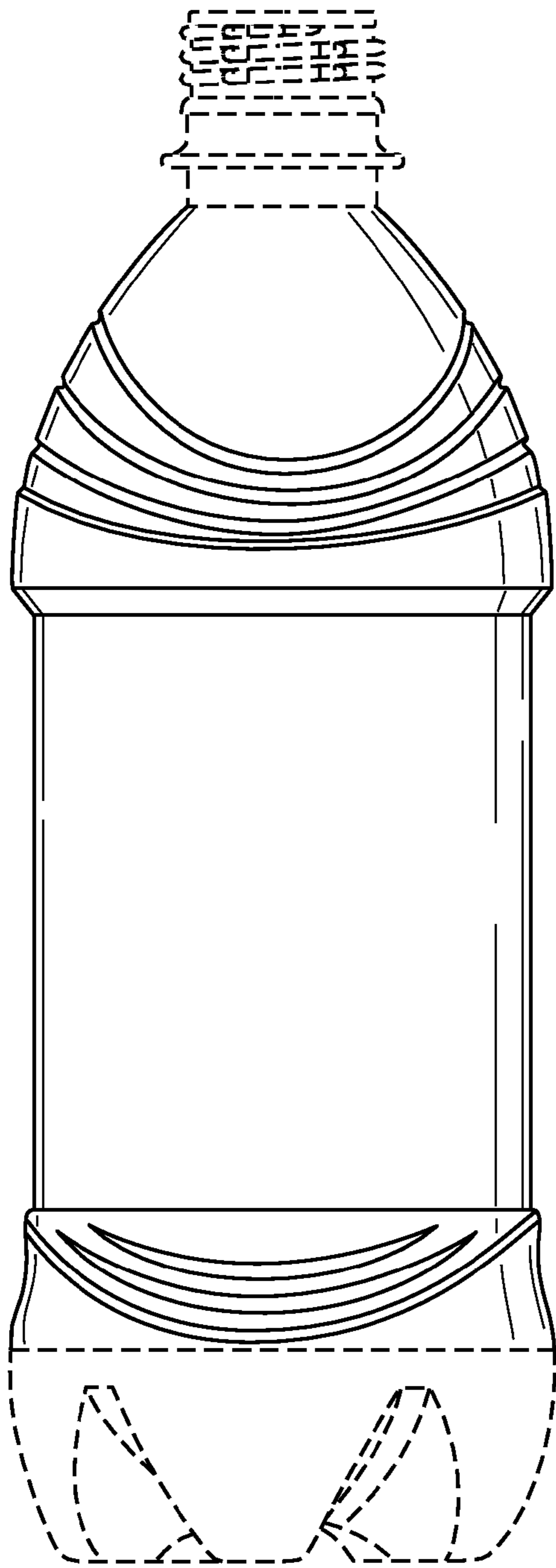


FIG. 3

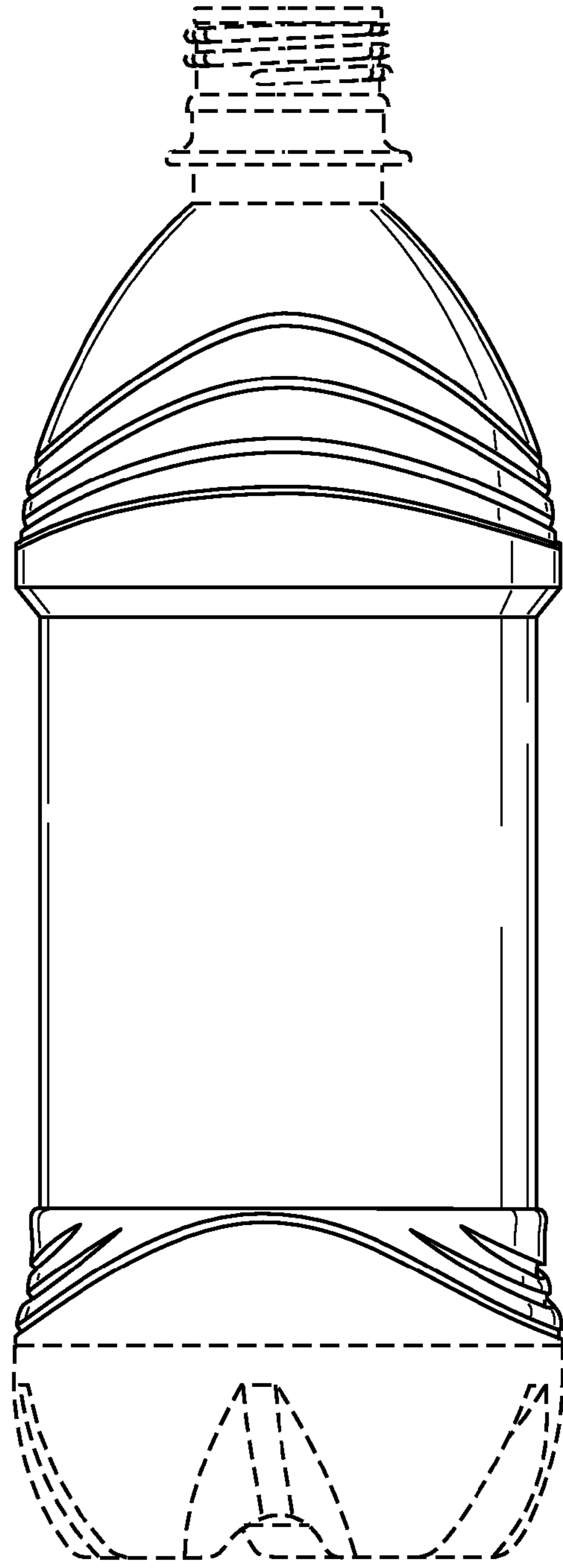


FIG. 4

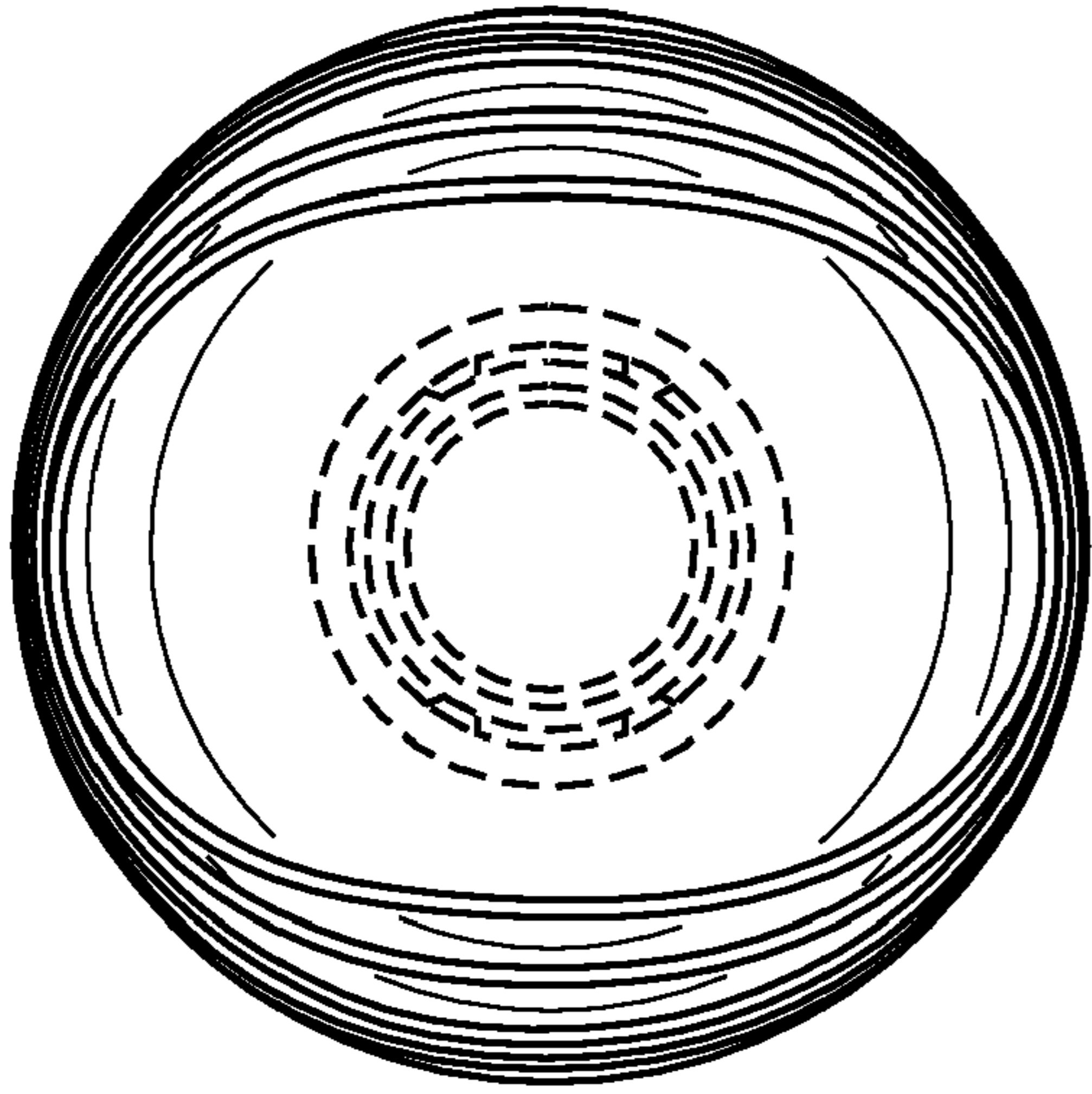


FIG. 5

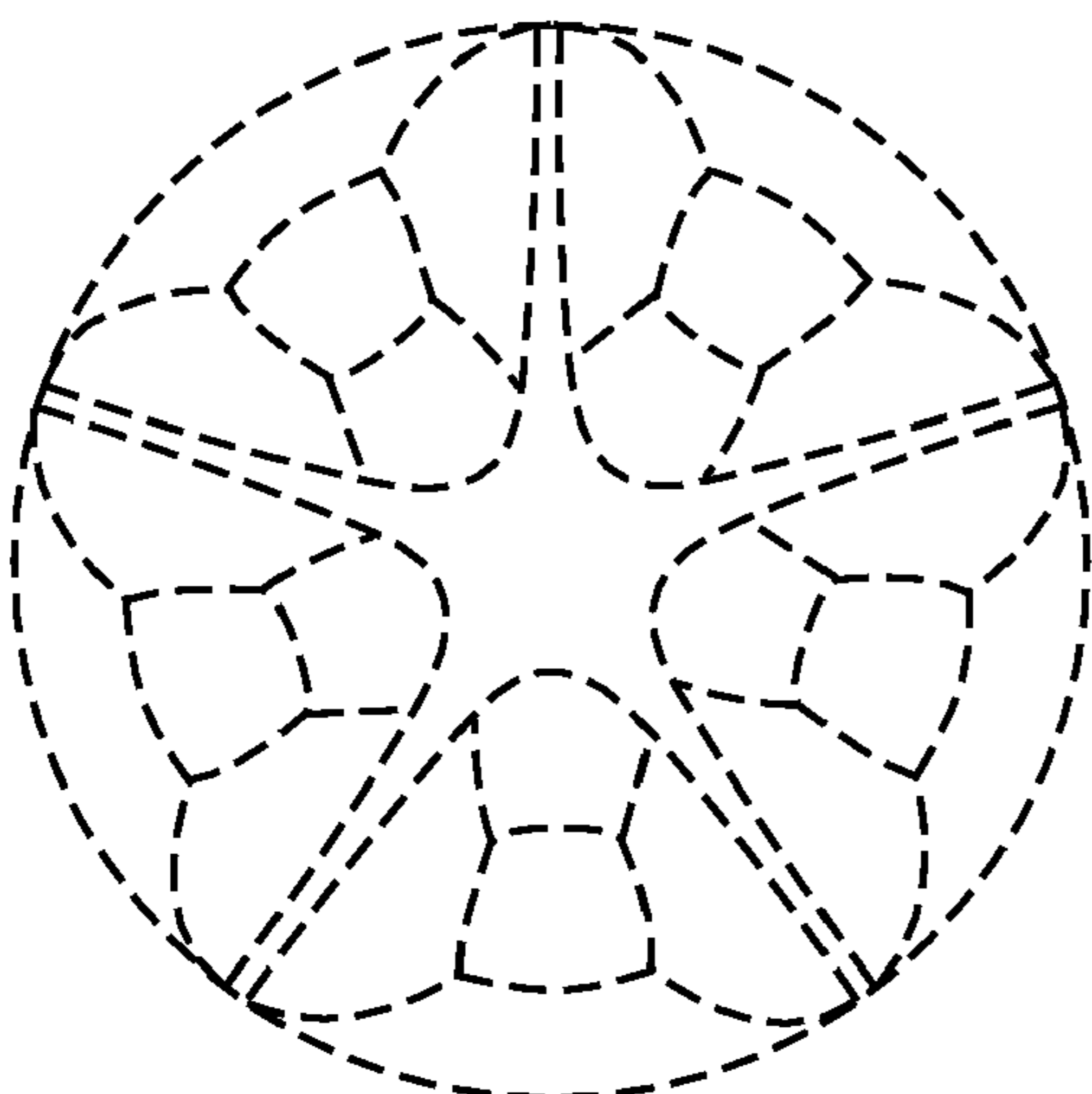


FIG. 6

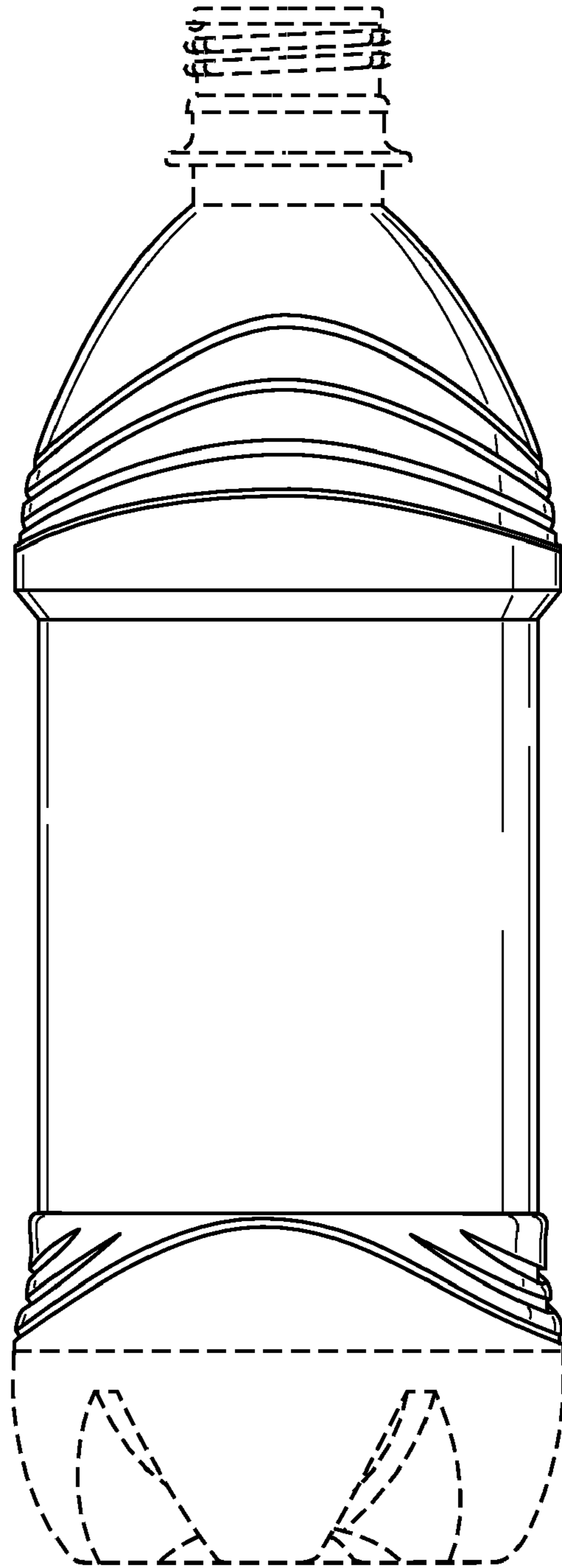


FIG. 7