



US00D558572S

(12) **United States Design Patent** (10) **Patent No.:** **US D558,572 S**  
**Andre et al.** (45) **Date of Patent:** **\*\* Jan. 1, 2008**

(54) **PACKAGE**

(75) Inventors: **Bartley K. Andre**, Menlo Park, CA (US); **Daniel J. Coster**, San Francisco, CA (US); **Daniele De Iuliis**, San Francisco, CA (US); **Richard P. Howarth**, San Francisco, CA (US); **Jonathan P. Ive**, San Francisco, CA (US); **Steve Jobs**, Palo Alto, CA (US); **Duncan Robert Kerr**, San Francisco, CA (US); **Shin Nishibori**, San Francisco, CA (US); **Matthew Dean Rohrbach**, San Francisco, CA (US); **Douglas B. Satzger**, Menlo Park, CA (US); **Calvin Q. Seid**, Palo Alto, CA (US); **Christopher J. Stringer**, Portola Valley, CA (US); **Eugene Antony Whang**, San Francisco, CA (US); **Rico Zorkendorfer**, San Francisco, CA (US)

(73) Assignee: **Apple Inc.**, Cupertino, CA (US)

(\*\*) Term: **14 Years**

(21) Appl. No.: **29/265,952**

(22) Filed: **Sep. 11, 2006**

(51) **LOC (8) Cl.** ..... **09-03**

(52) **U.S. Cl.** ..... **D9/432**

(58) **Field of Classification Search** ..... D9/430-433, D9/414-418; 229/105-106, 108, 108.1, 229/100, 112-113, 115-116, 110, 162.1, 229/922, 938; 206/551, 746, 457, 784, 822; D3/291, 302

See application file for complete search history.

(56) **References Cited**

U.S. PATENT DOCUMENTS

D397,552 S *	9/1998	Rutledge	.....	D3/302
D406,463 S *	3/1999	Rutledge	.....	D3/302
D411,448 S *	6/1999	Baker	.....	D9/415
D417,391 S *	12/1999	Szczepanski et al.	.....	D9/423
D541,045 S *	4/2007	Peart et al.	.....	D3/291

\* cited by examiner

*Primary Examiner*—Robert A. Delehanty  
(74) *Attorney, Agent, or Firm*—Beyer Weaver LLP

(57) **CLAIM**

We claim the ornamental design for a package, substantially as shown and described.

**DESCRIPTION**

FIG. 1 is a perspective view of a package in accordance with the present design.

The package can, for example, be used to package an electronic device such as a media device;

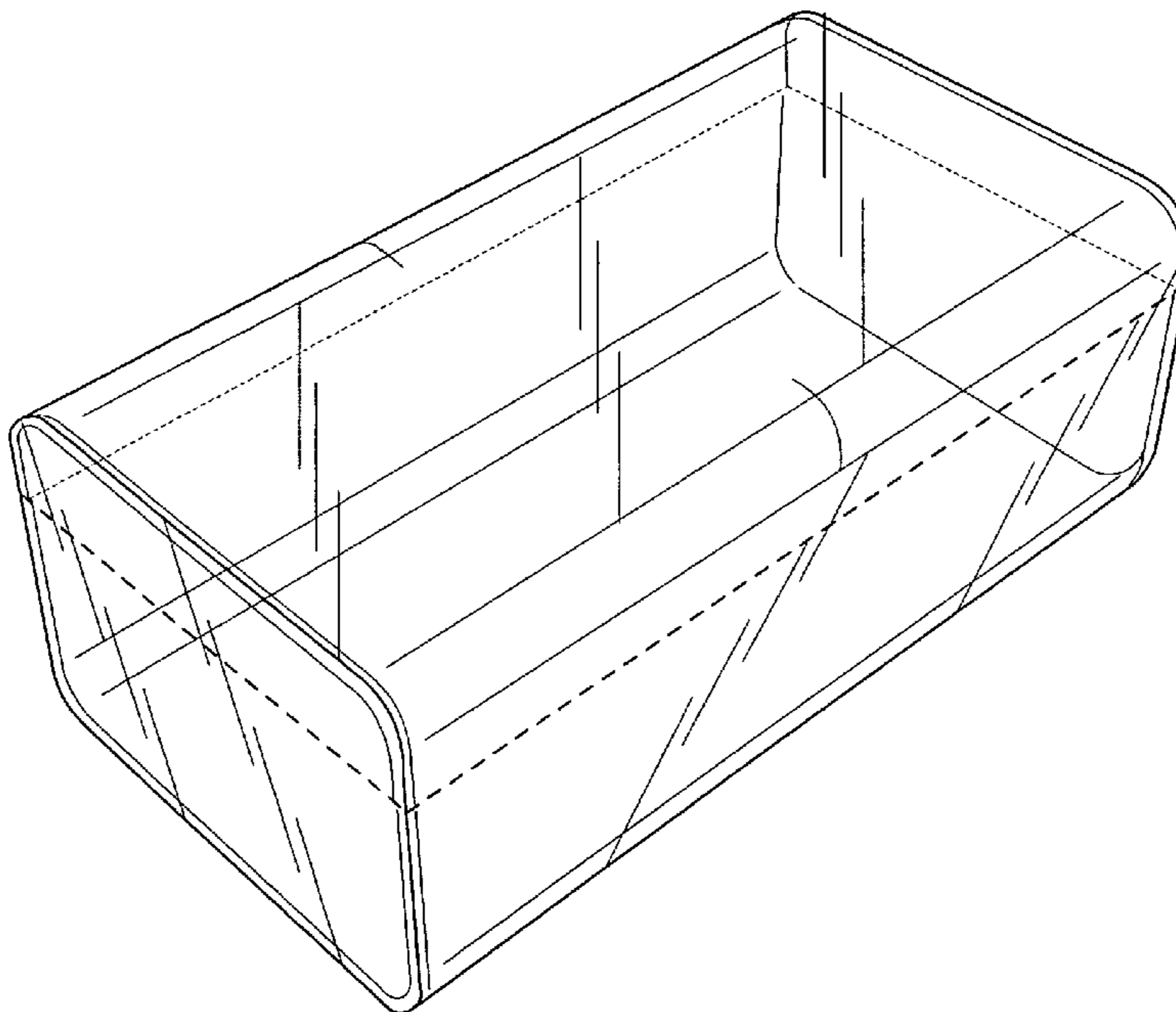
FIG. 2 is a front or back view for the package of FIG. 1;

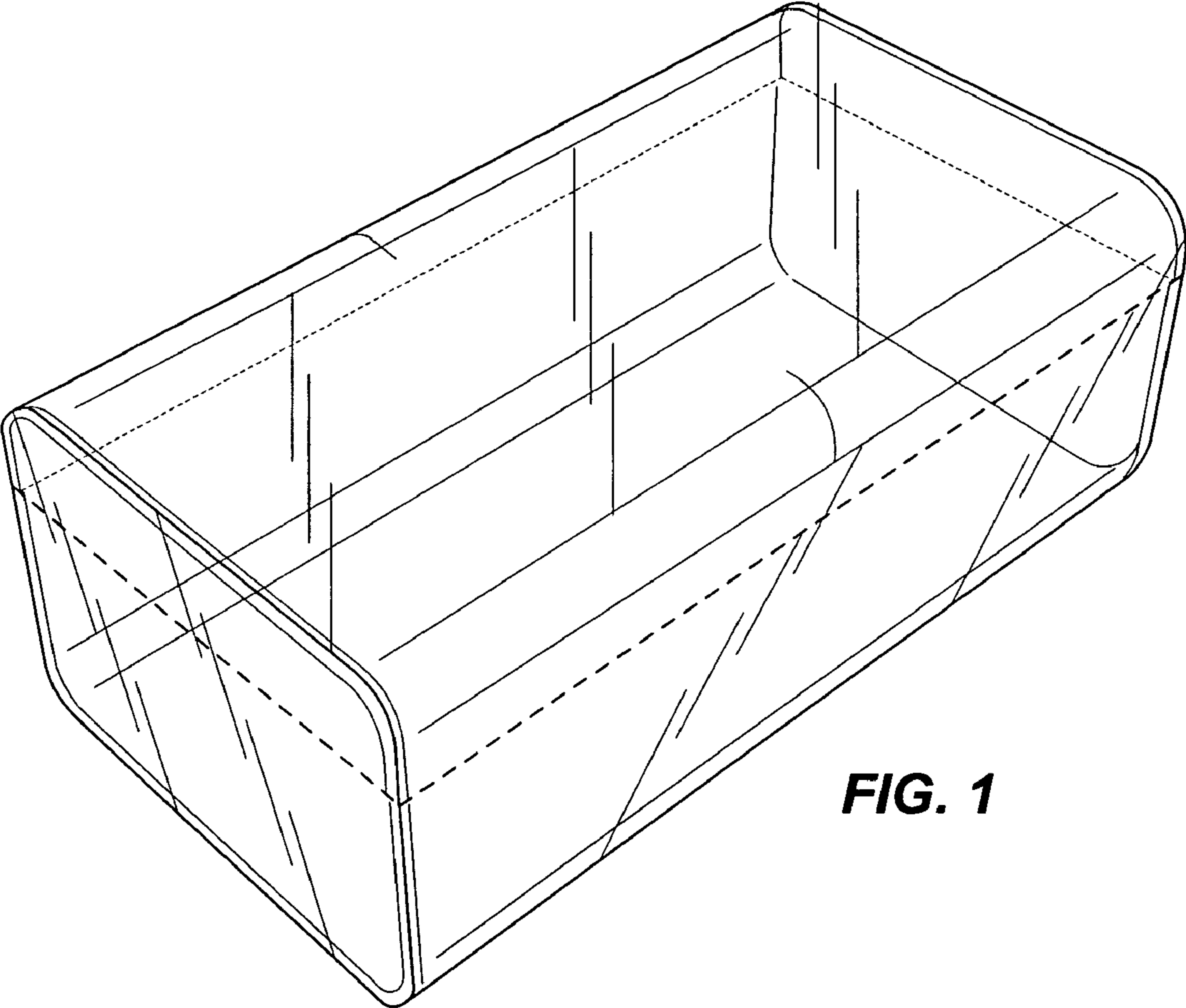
FIG. 3 is a left or right side view for the package of FIG. 1; and,

FIG. 4 is a top or bottom view for the package of FIG. 1.

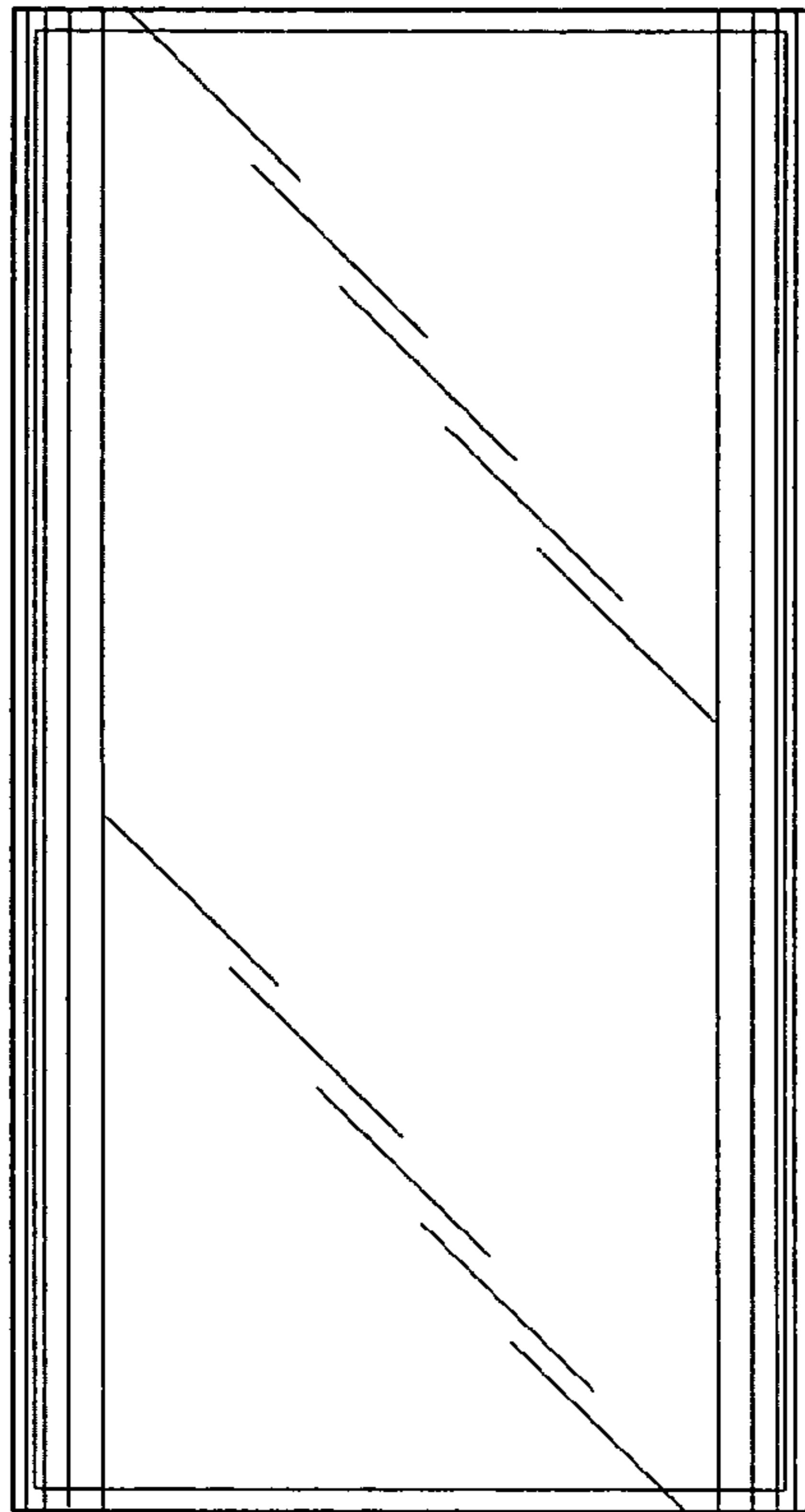
The characteristic feature of the design resides in package for an article of manufacture such as a media device or an electronic device.

**1 Claim, 2 Drawing Sheets**

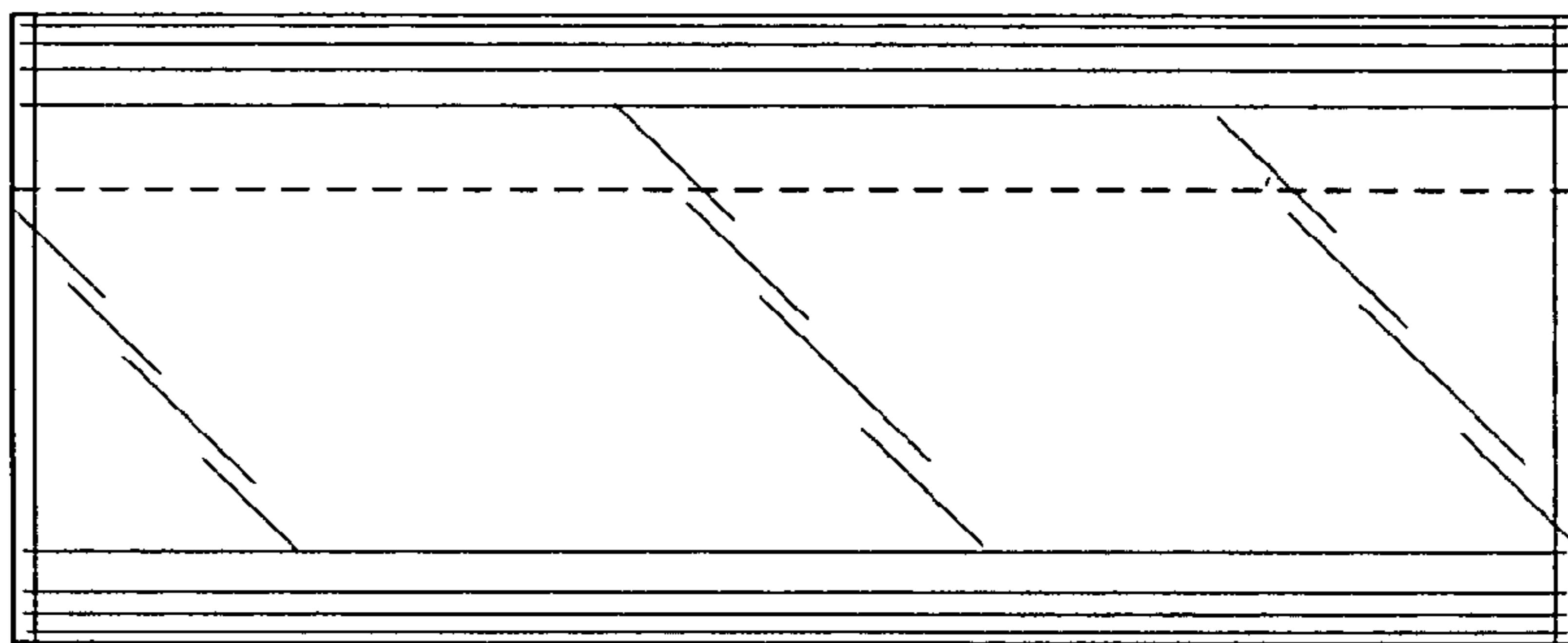




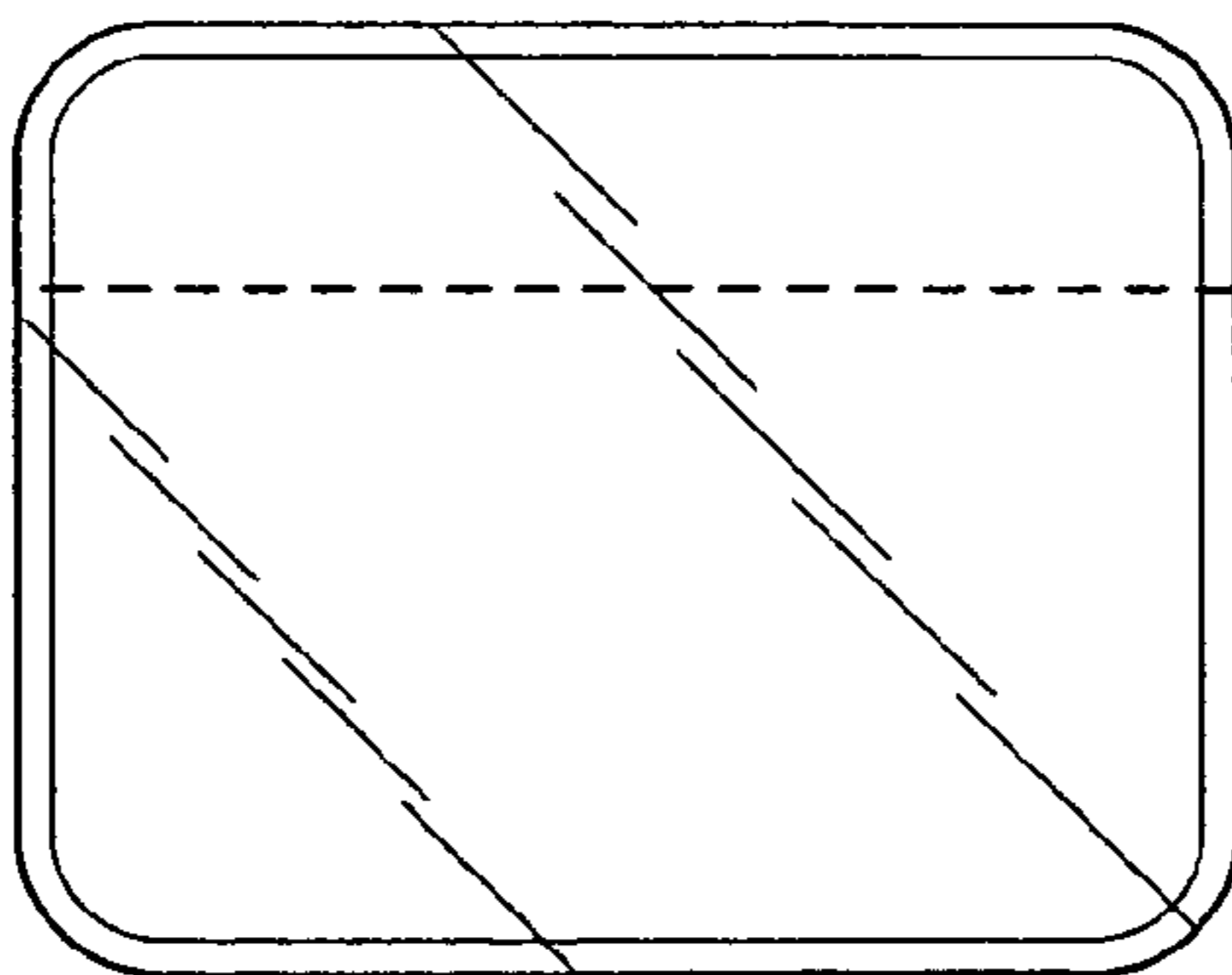
**FIG. 1**



**FIG. 2**



**FIG. 3**



**FIG. 4**