



US00D558571S

(12) **United States Design Patent**
Andre et al.

(10) **Patent No.:** **US D558,571 S**
(45) **Date of Patent:** **** Jan. 1, 2008**

(54) **PACKAGE**

D417,391 S * 12/1999 Szczepanski et al. D9/423
D541,045 S * 4/2007 Peart et al. D3/291

(75) Inventors: **Bartley K. Andre**, Menlo Park, CA (US); **Daniel J. Coster**, San Francisco, CA (US); **Daniele De Iuliis**, San Francisco, CA (US); **Richard P. Howarth**, San Francisco, CA (US); **Jonathan P. Ive**, San Francisco, CA (US); **Steve Jobs**, Palo Alto, CA (US); **Duncan Robert Kerr**, San Francisco, CA (US); **Shin Nishibori**, San Francisco, CA (US); **Matthew Dean Rohrbach**, San Francisco, CA (US); **Douglas B. Satzger**, Menlo Park, CA (US); **Calvin Q. Seid**, Palo Alto, CA (US); **Christopher J. Stringer**, Portola Valley, CA (US); **Eugene Antony Whang**, San Francisco, CA (US); **Rico Zorkendorfer**, San Francisco, CA (US)

OTHER PUBLICATIONS

U.S. Appl. No. 29/265,952, filed Sep. 11, 2006.

* cited by examiner

Primary Examiner—Robert A. Delehanty
(74) *Attorney, Agent, or Firm*—Beyer Weaver LLP

(57) **CLAIM**

We claim the ornamental design for a package, substantially as shown and described.

DESCRIPTION

FIG. 1 is a perspective view of a package in accordance with the present design. The package can, for example, be used to package a first electronic device such as a media device (e.g., media player).

FIG. 2 is a front view for the package with the first electronic device.

FIG. 3 is a side view for the package with the first electronic device.

FIG. 4 is a top or bottom view for the package with the first electronic device.

FIG. 5 is an exploded perspective view of the package showing a lid, first electronic device, first electronic device holder, insert box and base.

FIG. 6 is another perspective view of the package in accordance with the present design. The package can, for example, be used to package a second electronic device such as a media device (e.g., media player).

FIG. 7 is a front view for the package with the second electronic device.

FIG. 8 is a side view for the package with the second electronic device.

FIG. 9 is a top or bottom view for the package with the second electronic device.

(73) Assignee: **Apple Inc.**, Cupertino, CA (US)

(**) Term: **14 Years**

(21) Appl. No.: **29/265,951**

(22) Filed: **Sep. 11, 2006**

(51) **LOC (8) Cl.** **09-03**

(52) **U.S. Cl.** **D9/432**

(58) **Field of Classification Search** D9/430–433, D9/414–418; 229/105–106, 108, 108.1, 229/100, 112–113, 115–116, 110, 162.1, 229/922, 938; 206/551, 746, 457, 784, 822
See application file for complete search history.

(56) **References Cited**

U.S. PATENT DOCUMENTS

1,315,593 A * 9/1919 Binder 229/125.08
D111,649 S * 10/1938 di Domenico D9/418
D114,891 S * 5/1939 Fogel D9/418
D397,552 S 9/1998 Rutledge
D406,463 S 3/1999 Rutledge
D411,448 S * 6/1999 Baker D9/415

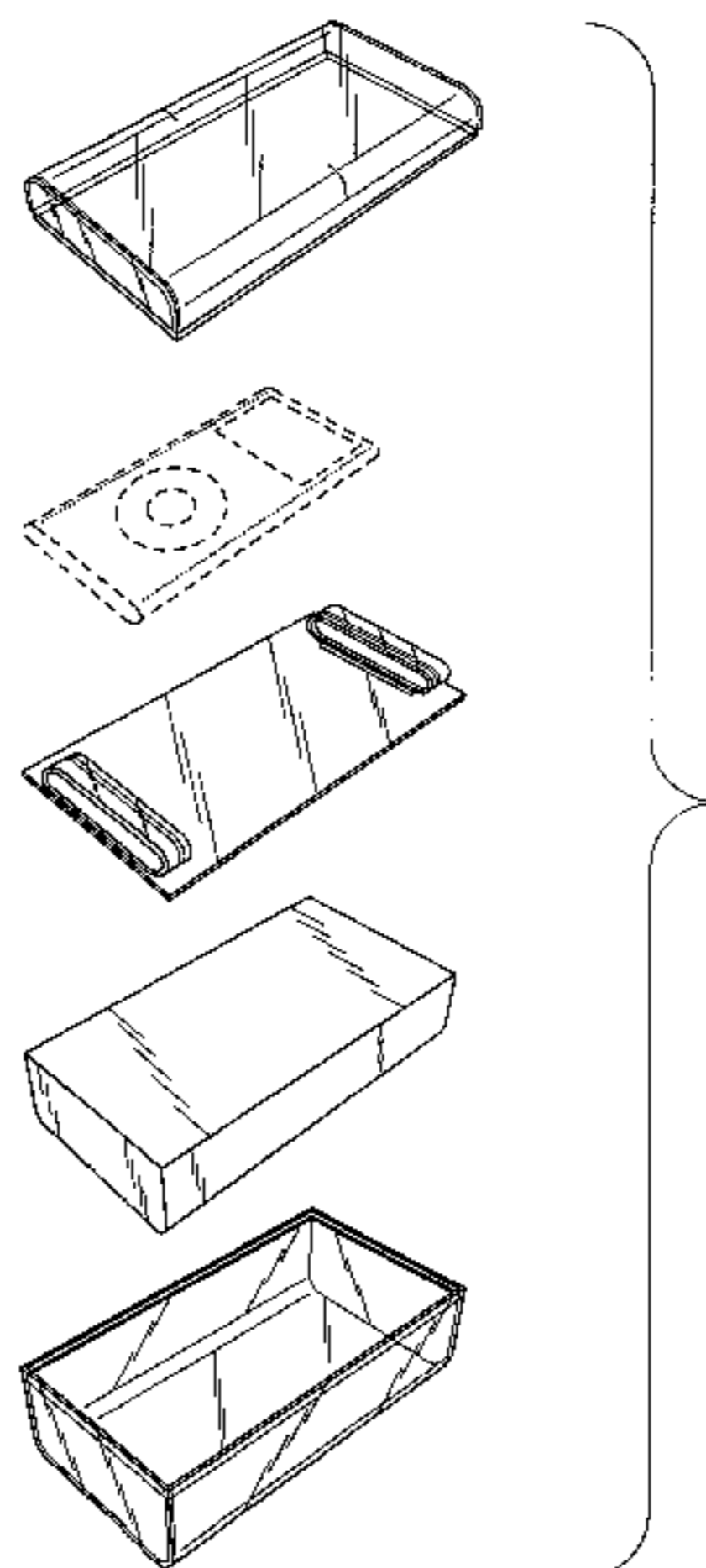


FIG. 10 is an exploded perspective view of the package showing a lid, a second electronic device, second electronic device holder, insert box and base.

FIG. 11 is a front view of the base.

FIG. 12 is a rear view of the base.

FIG. 13 is a left or right side view of the base.

FIG. 14 is a top or bottom view of the base.

FIG. 15 is a front view of the lid.

FIG. 16 is a rear view of the lid.

FIG. 17 is a left or right side view of the lid.

FIG. 18 is a top or bottom view of the lid.

FIG. 19 is a front view of the first electronic device holder.

FIG. 20 is a rear view of the first electronic device holder.

FIG. 21 is a left or right side view of the first electronic device holder.

FIG. 22 is a top or bottom view of the first electronic device holder.

FIG. 23 is a front view of the second electronic device holder.

FIG. 24 is a rear view of the second electronic device holder.

FIG. 25 is a left or right side view of the second electronic device holder.

FIG. 26 is a top or bottom view of the second electronic device holder.

FIG. 27 is a front view of the insert box.

FIG. 28 is a rear view of the insert box.

FIG. 29 is a left or right side view of the insert box; and,

FIG. 30 is a top or bottom view of the insert box.

The features shown in broken lines in the various Figures are for illustrating environmental structure and form no part of the claimed design.

More generally, the invention pertains to package for an article of manufacture such as a media device or an electronic device.

1 Claim, 11 Drawing Sheets

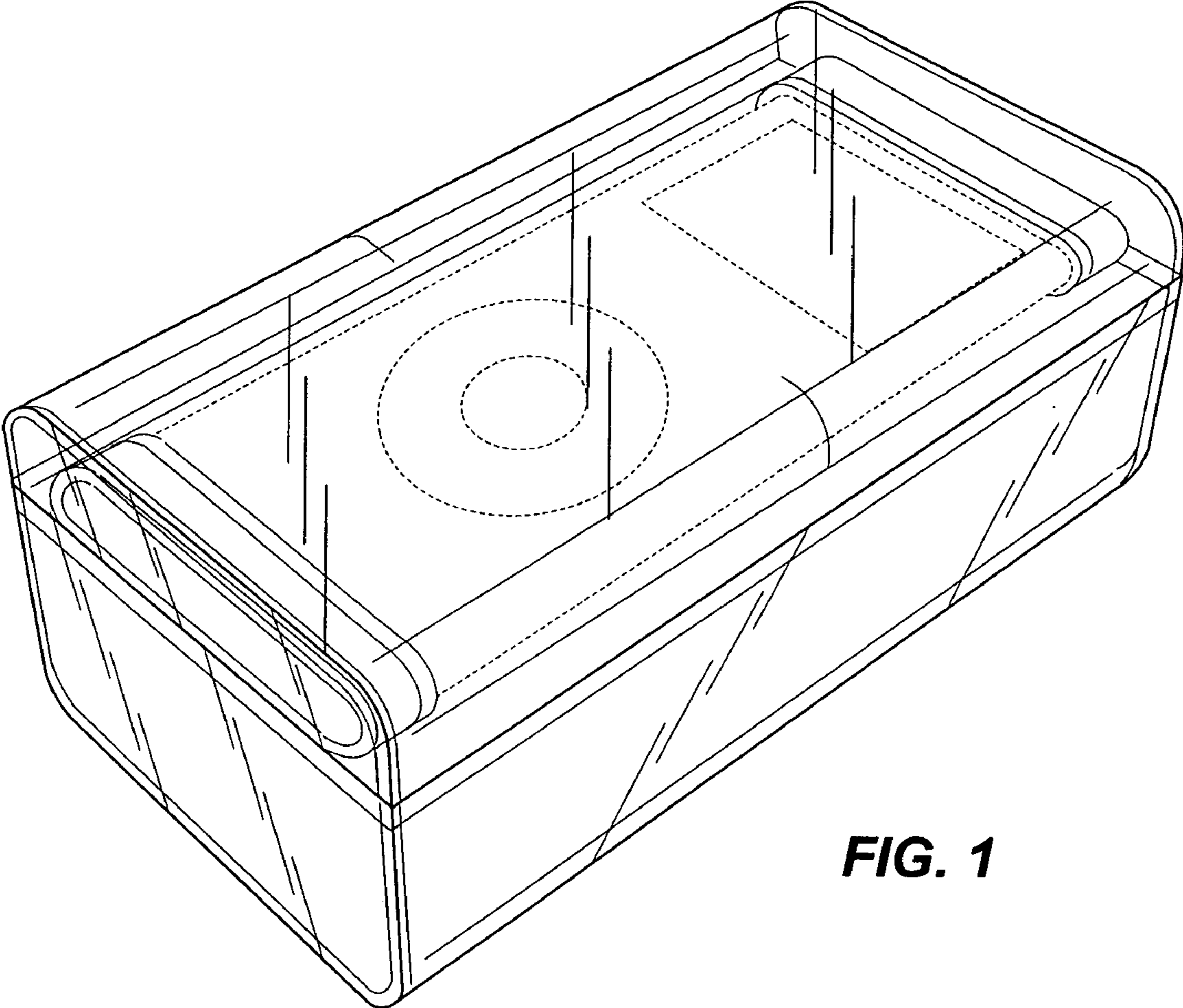


FIG. 1

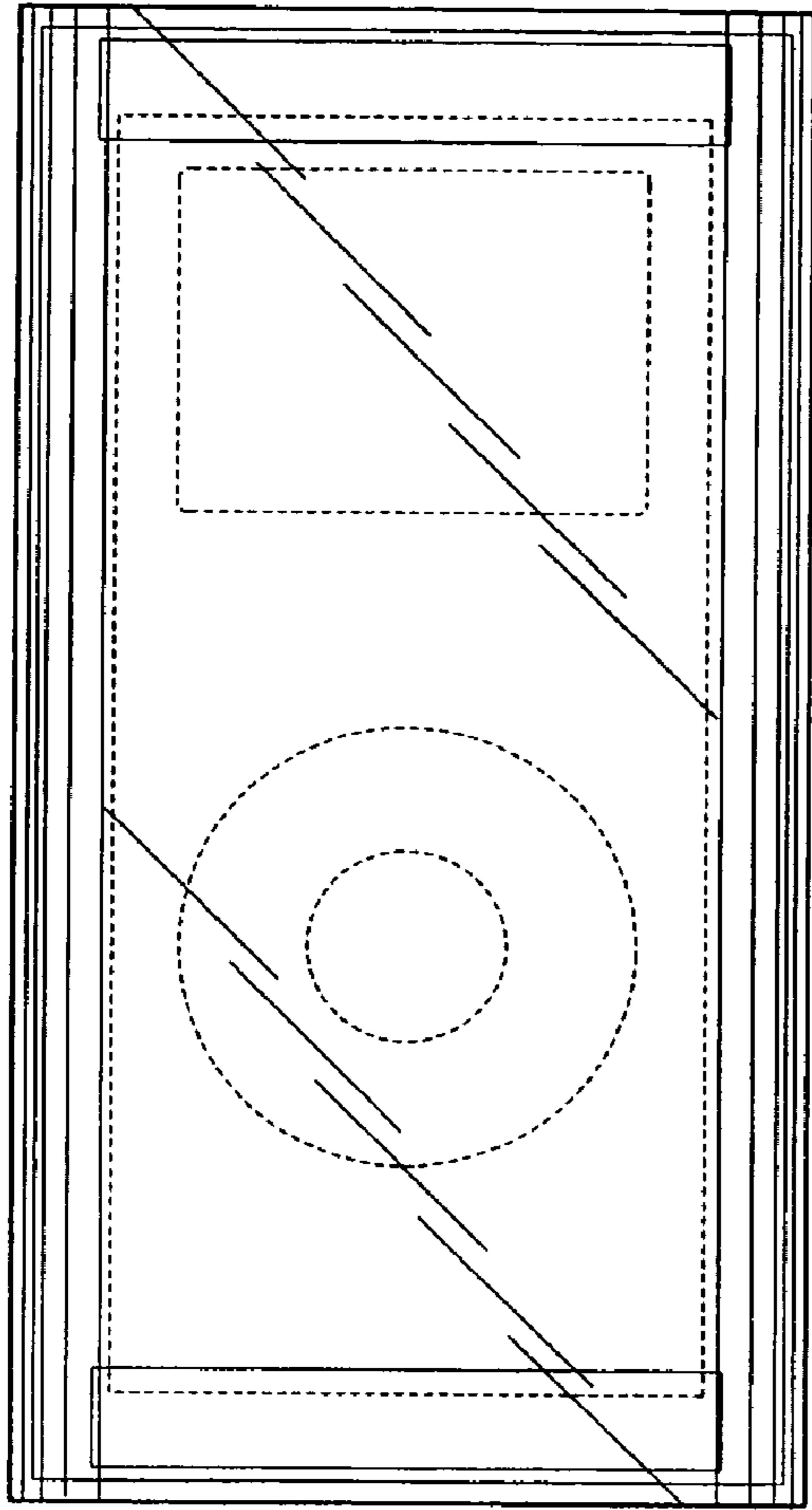


FIG. 2

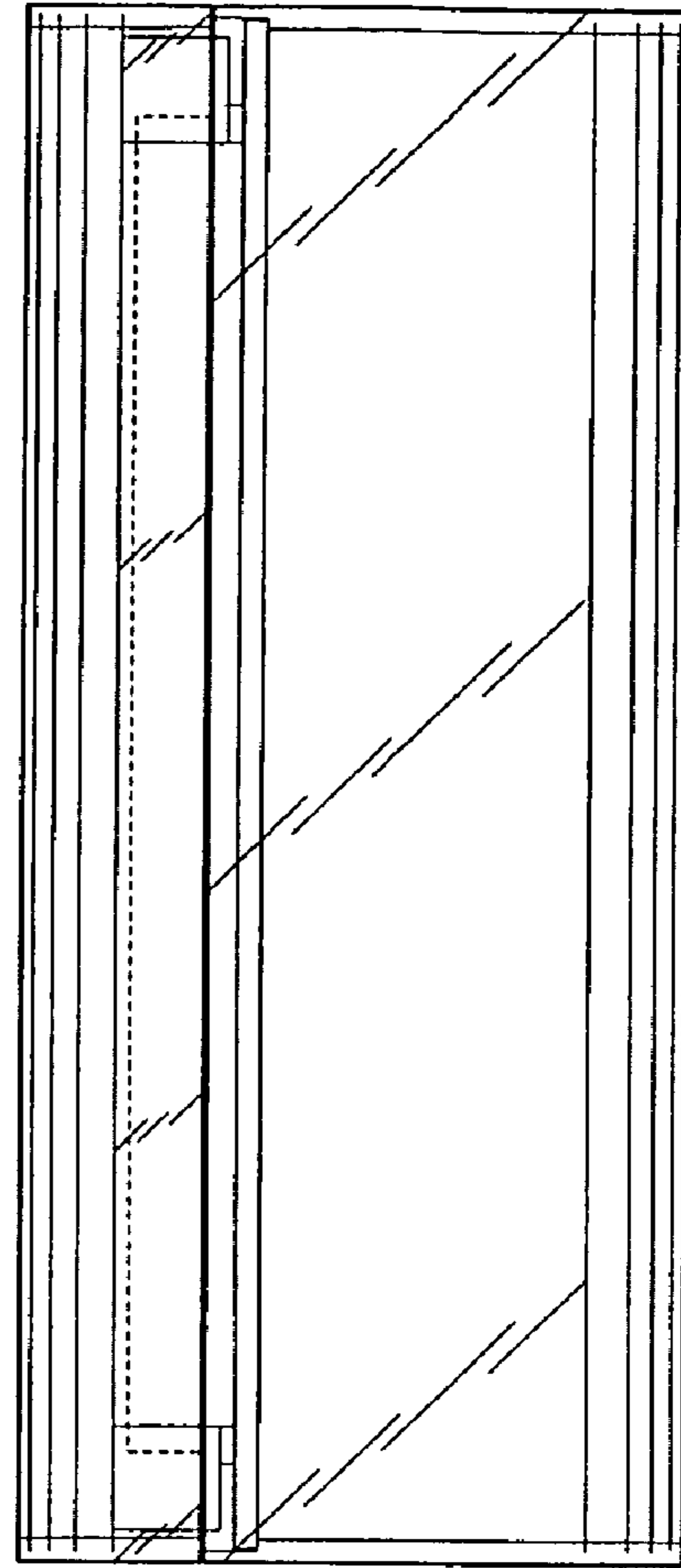


FIG. 3

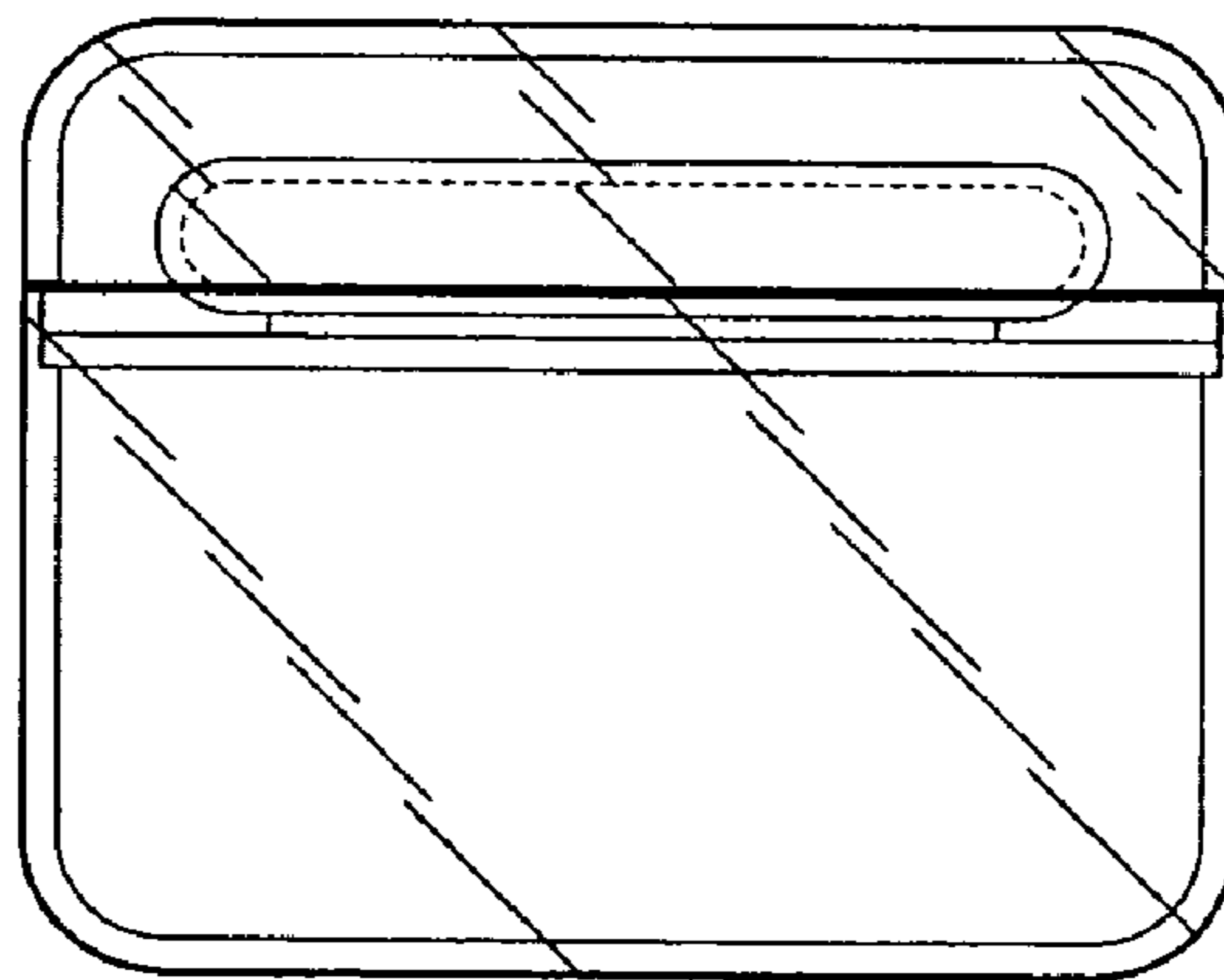


FIG. 4

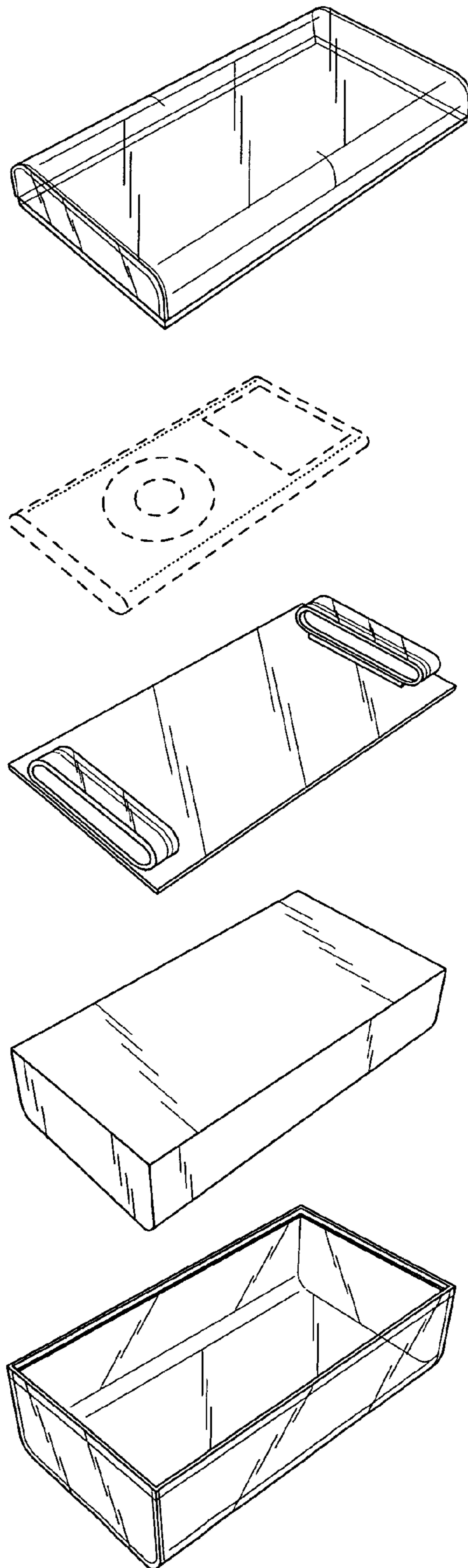


FIG. 5

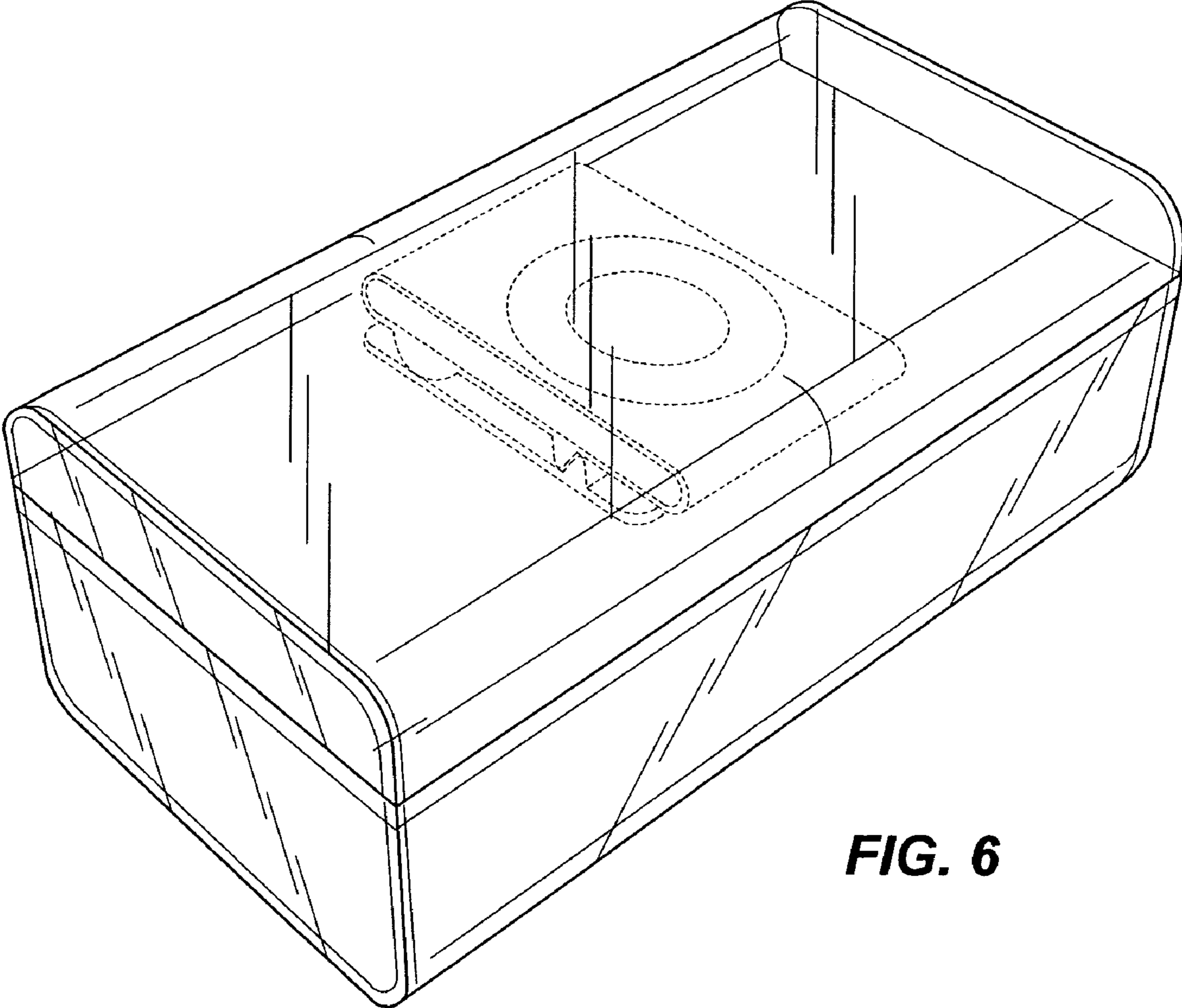


FIG. 6

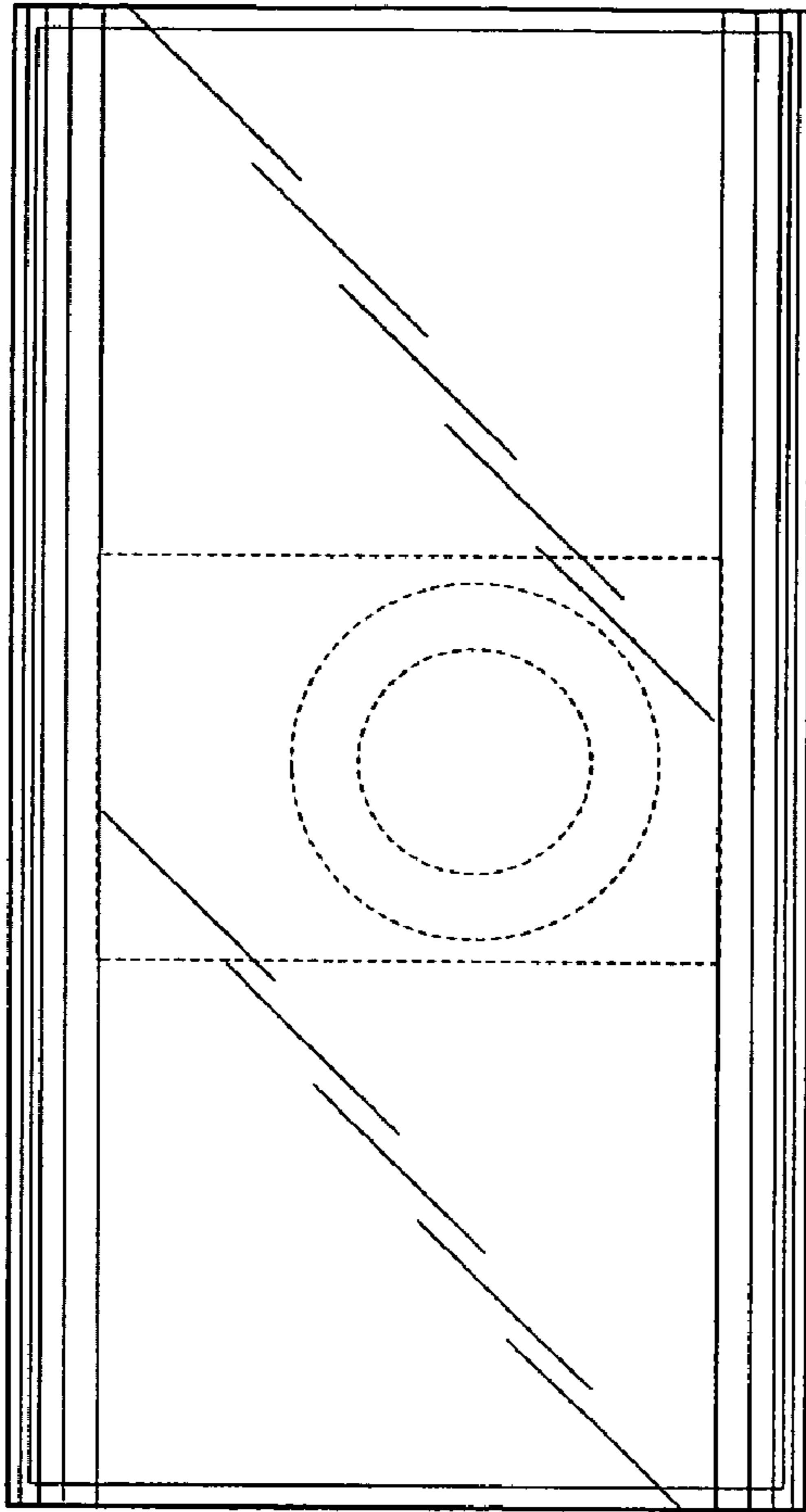


FIG. 7

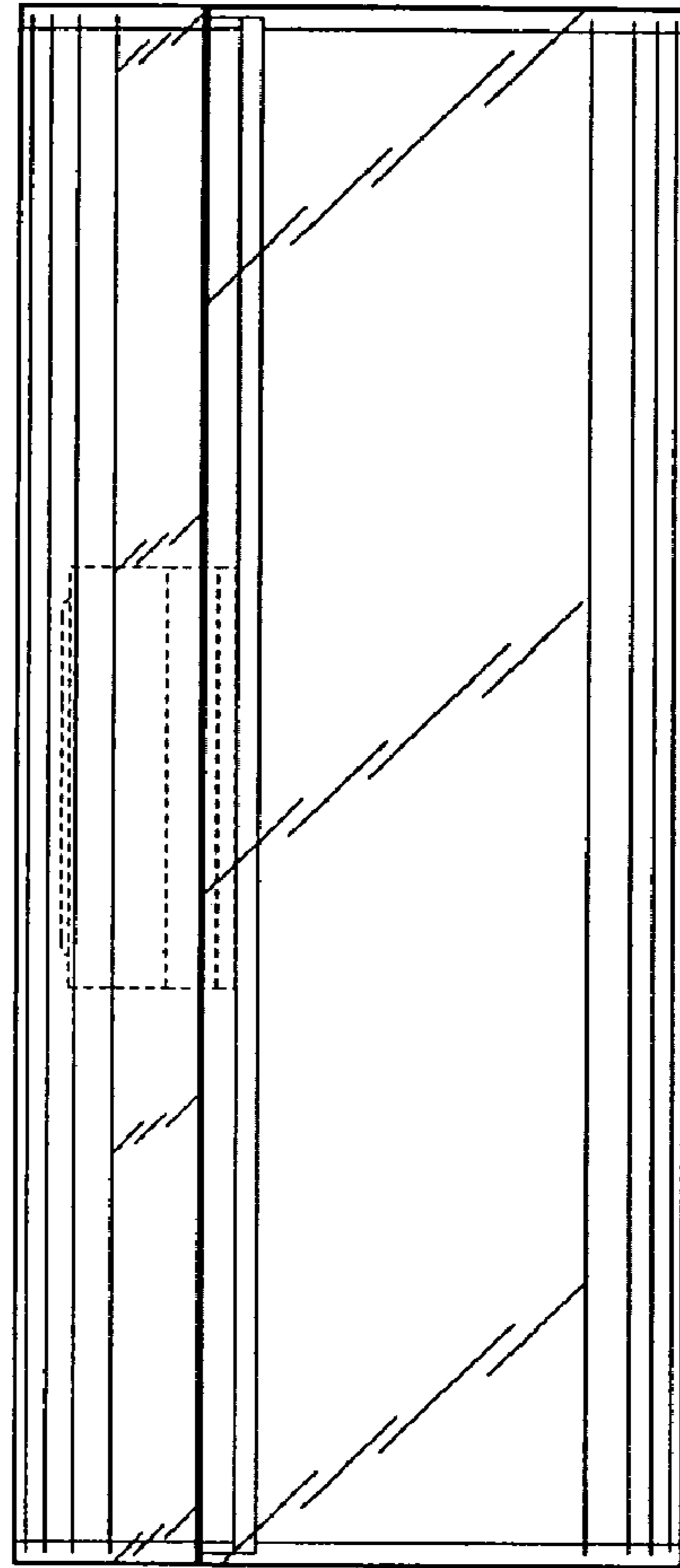


FIG. 8

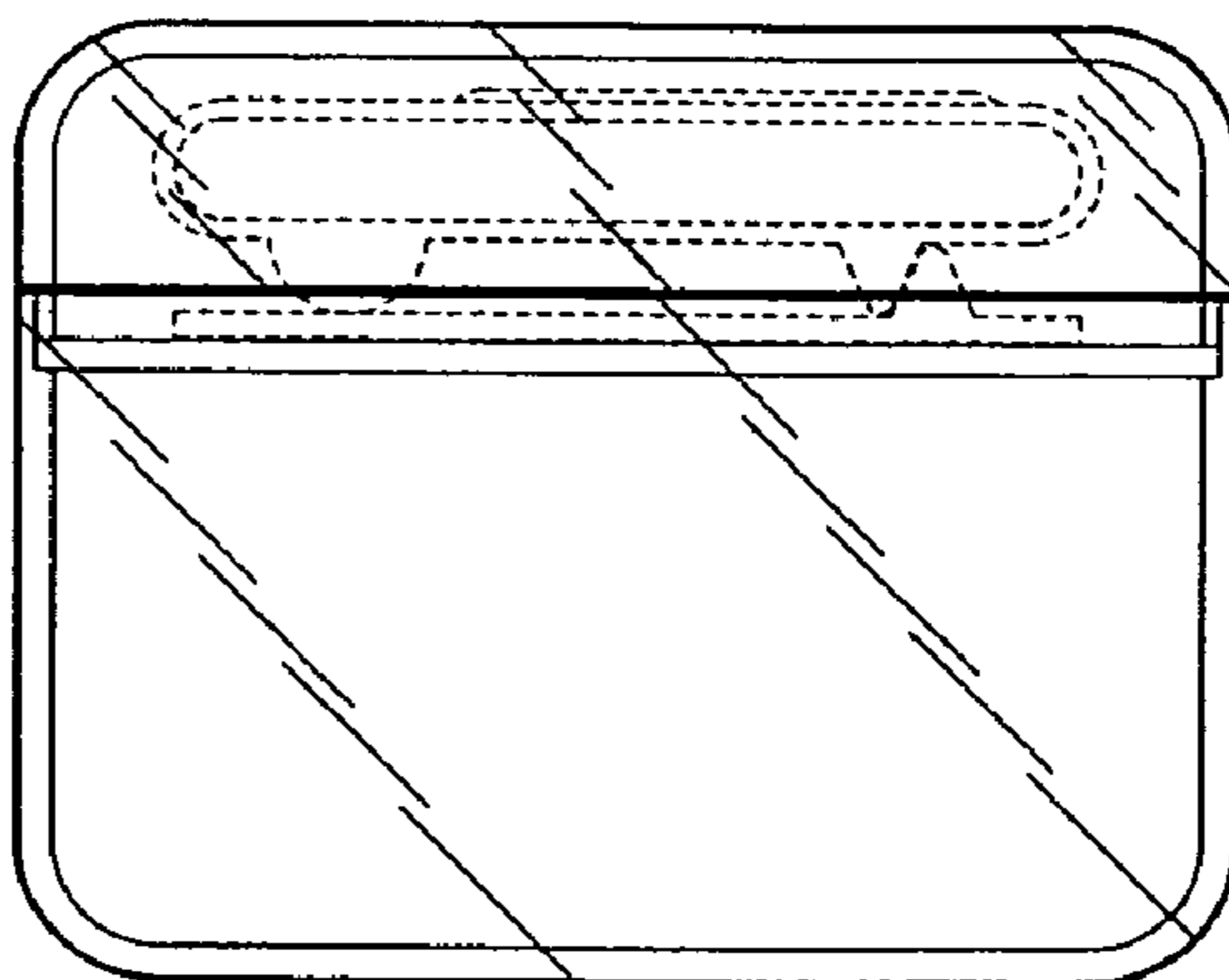


FIG. 9

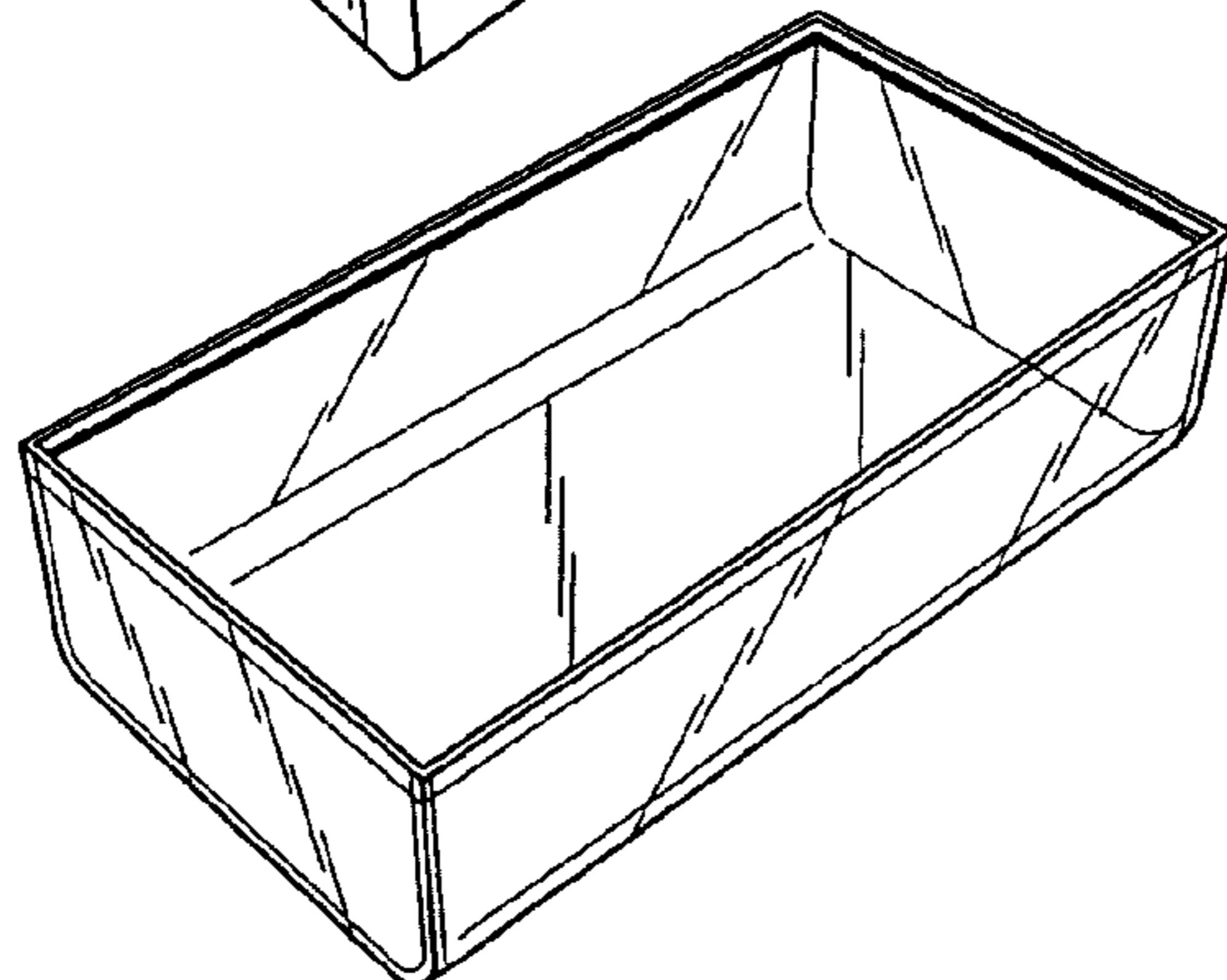
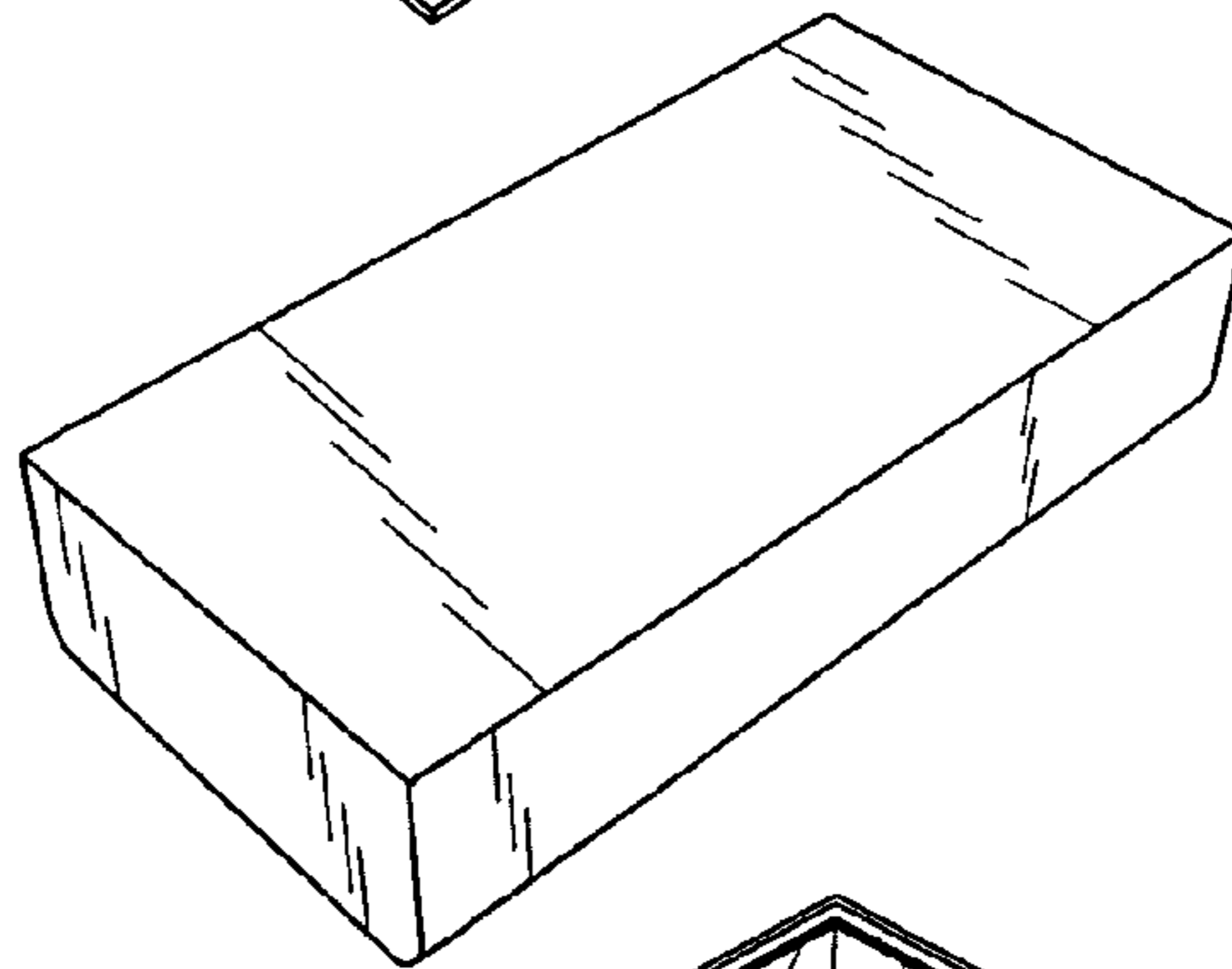
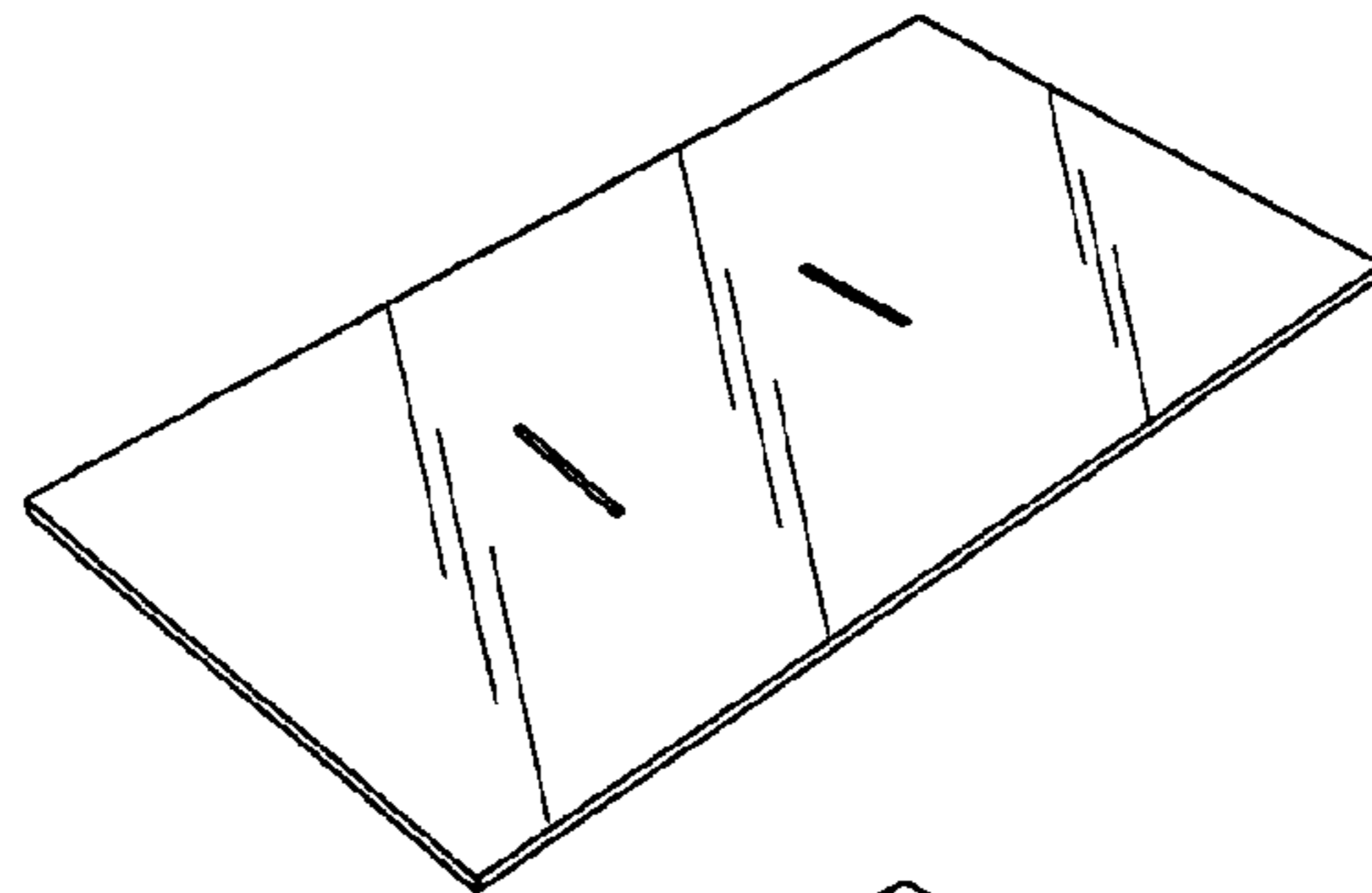
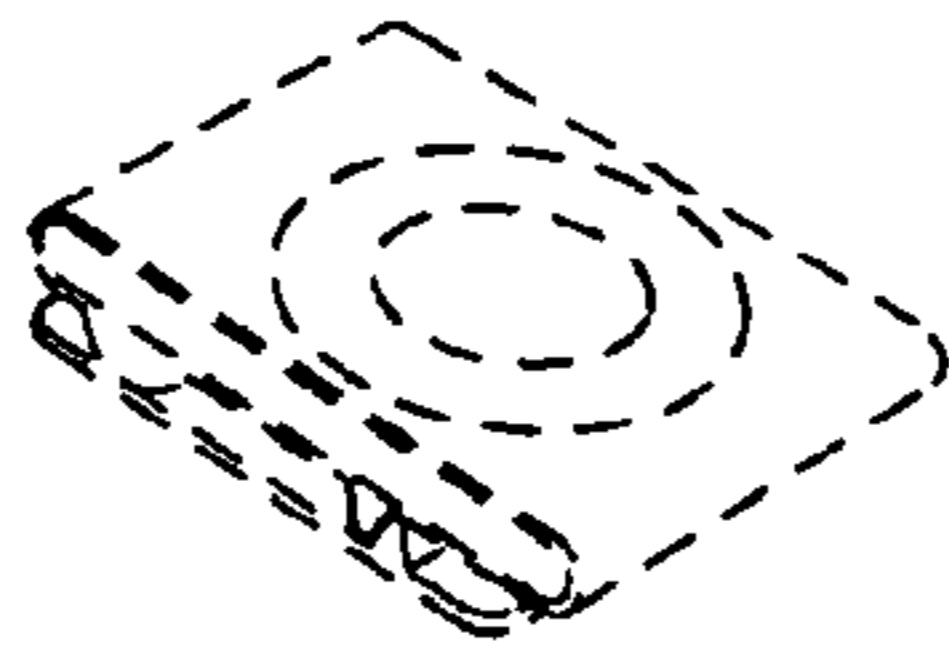
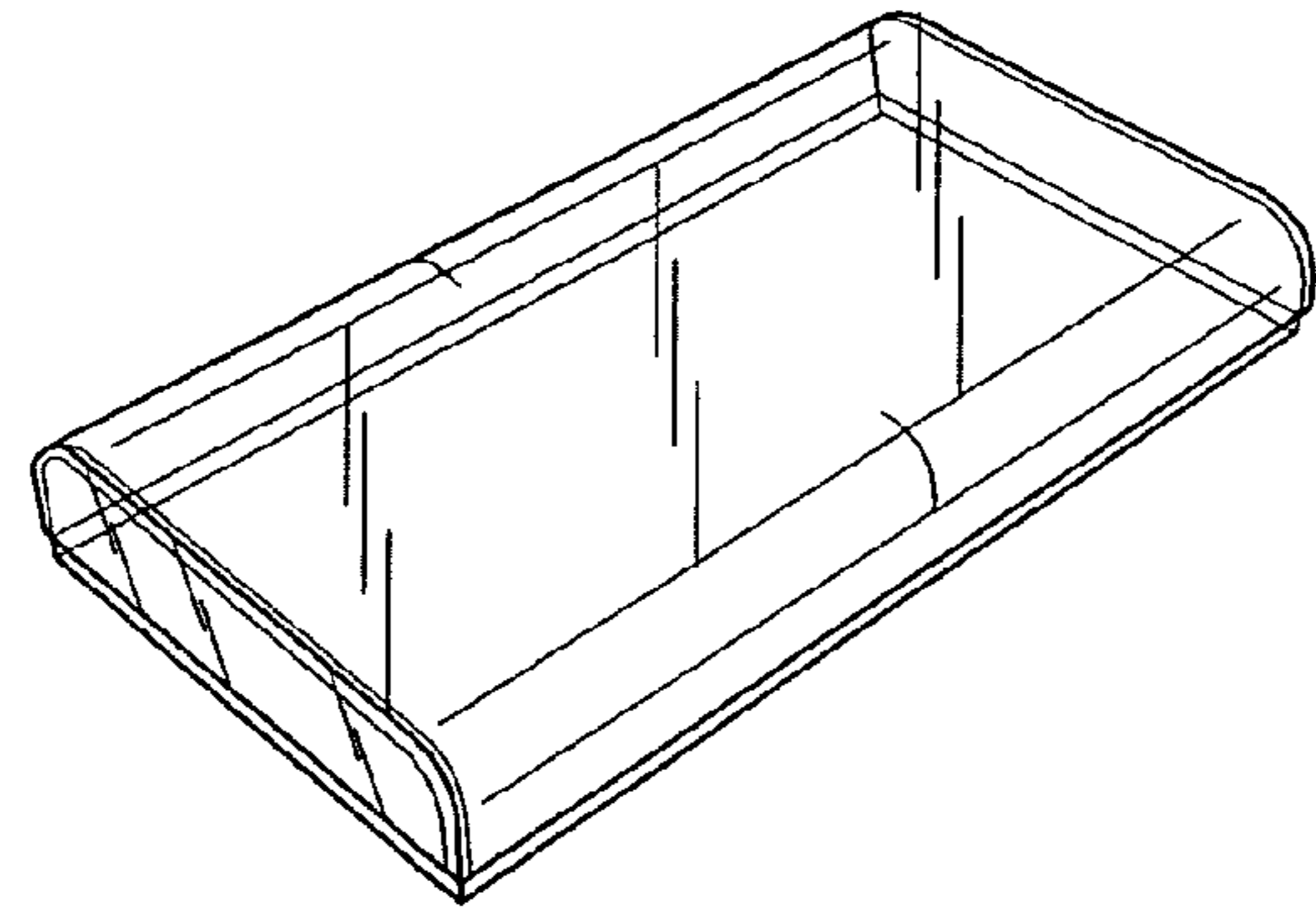
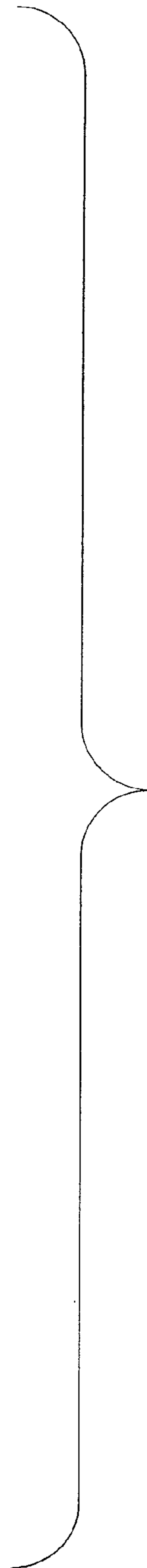


FIG. 10



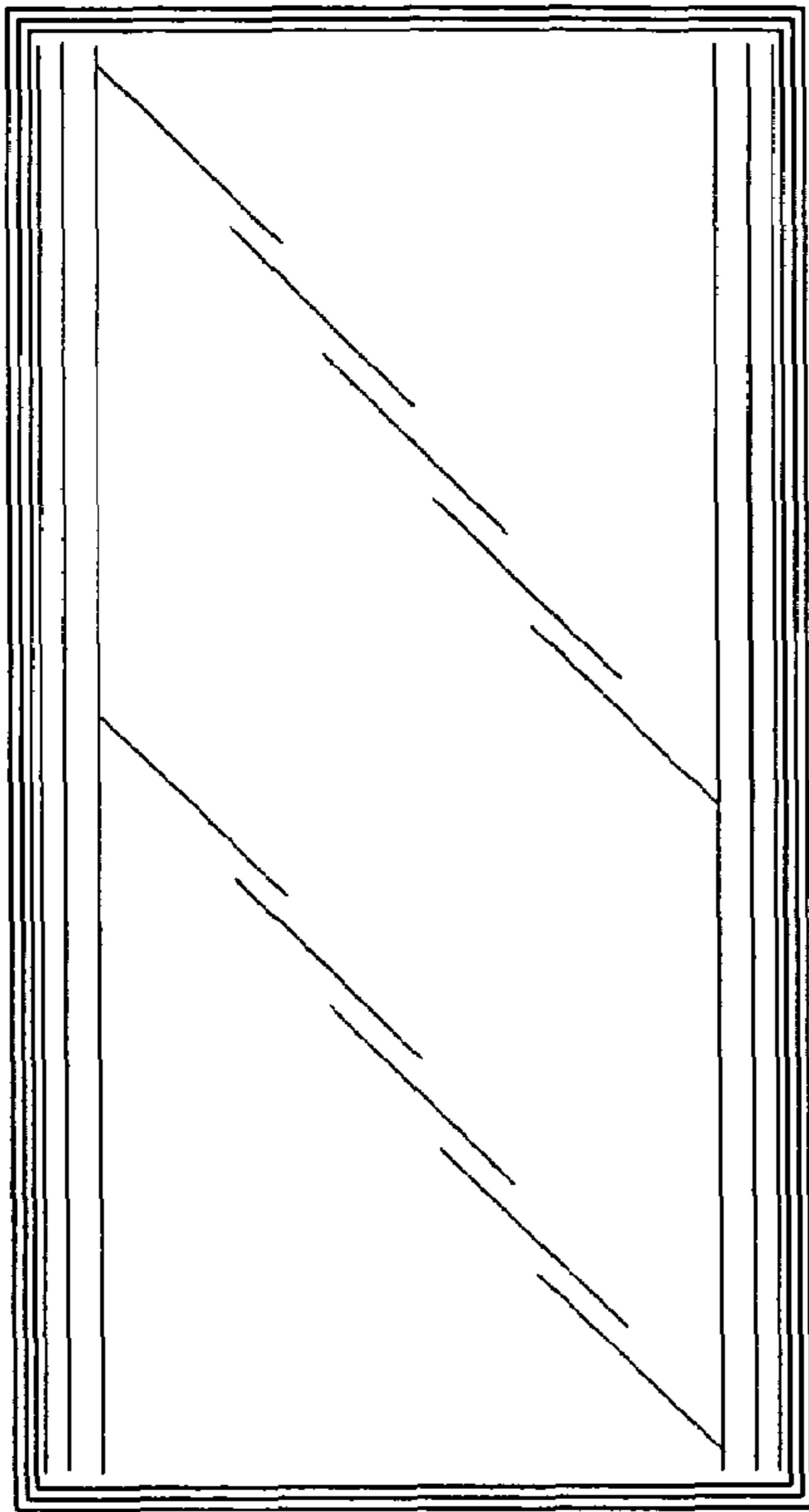


FIG. 11

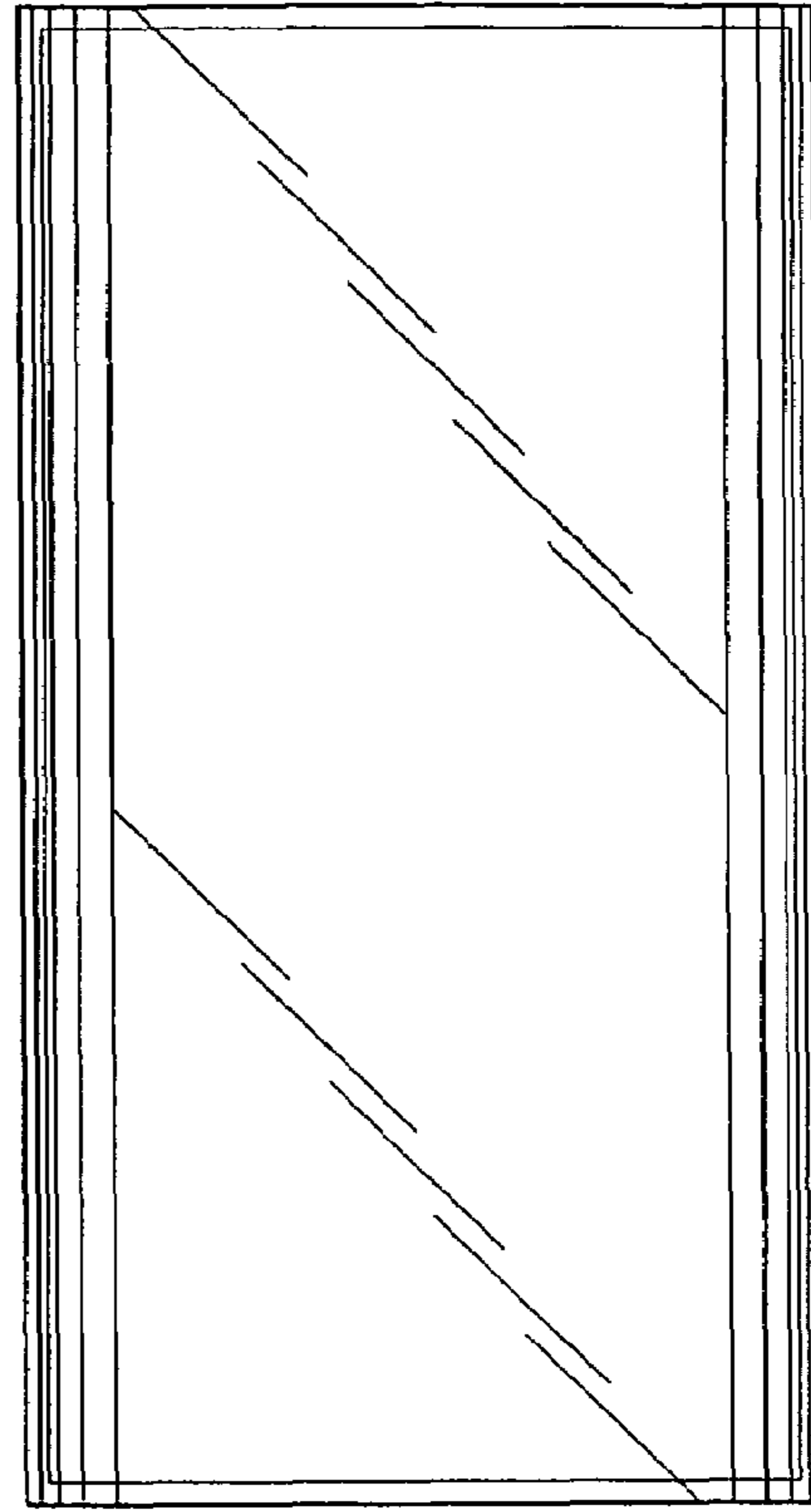


FIG. 12

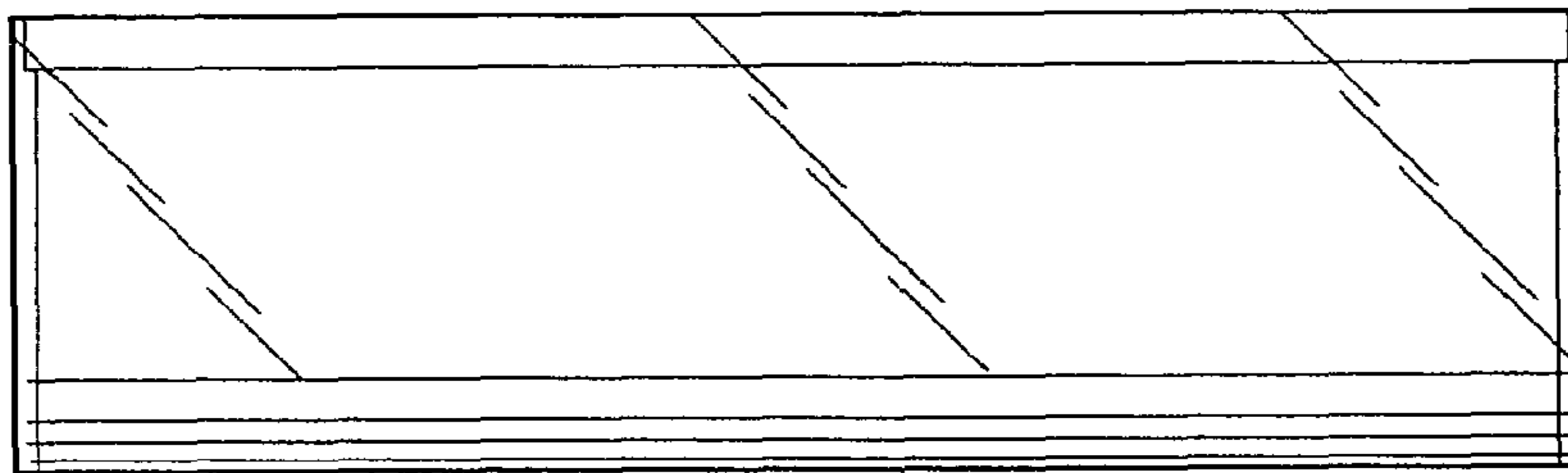


FIG. 13

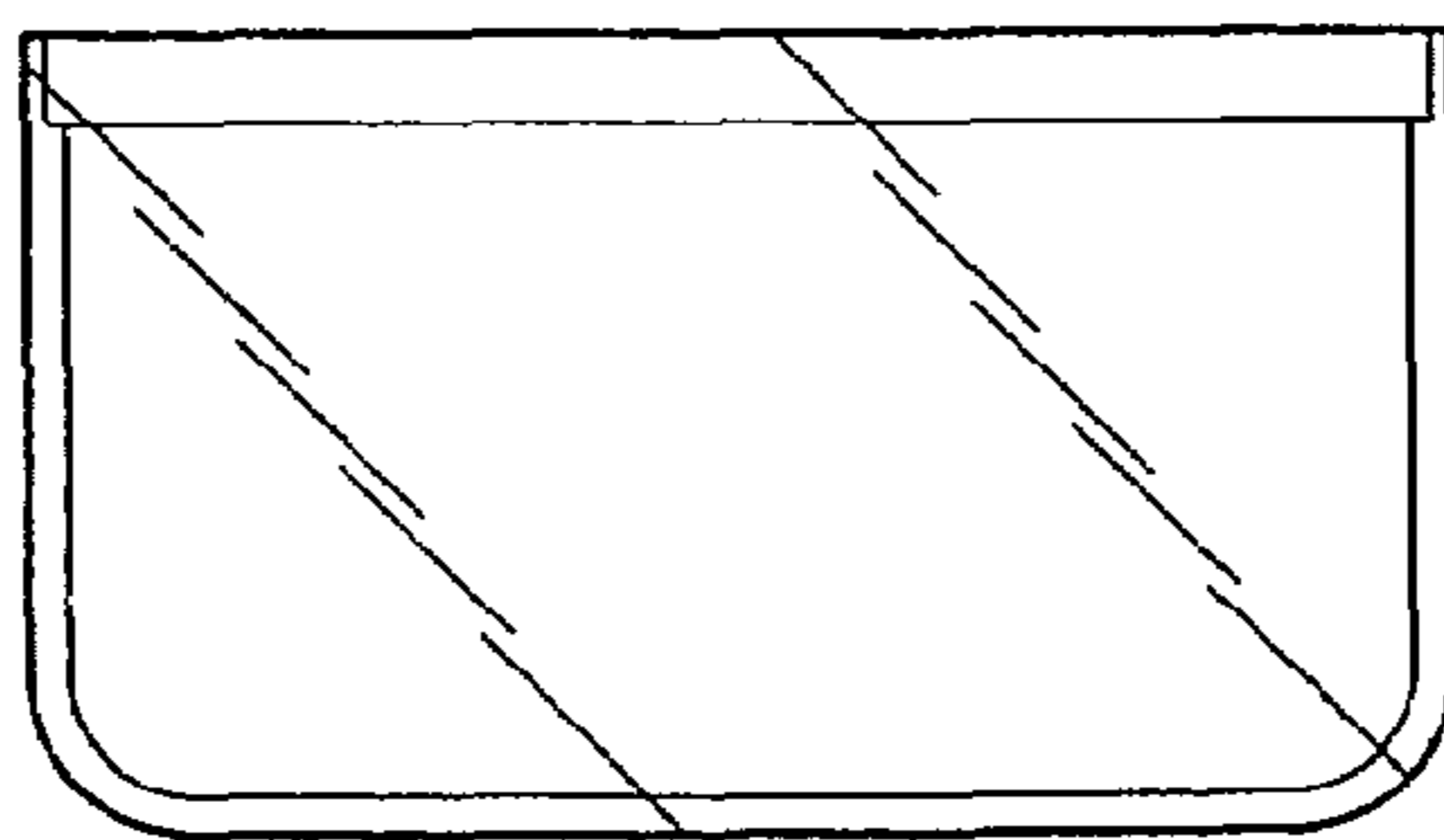


FIG. 14

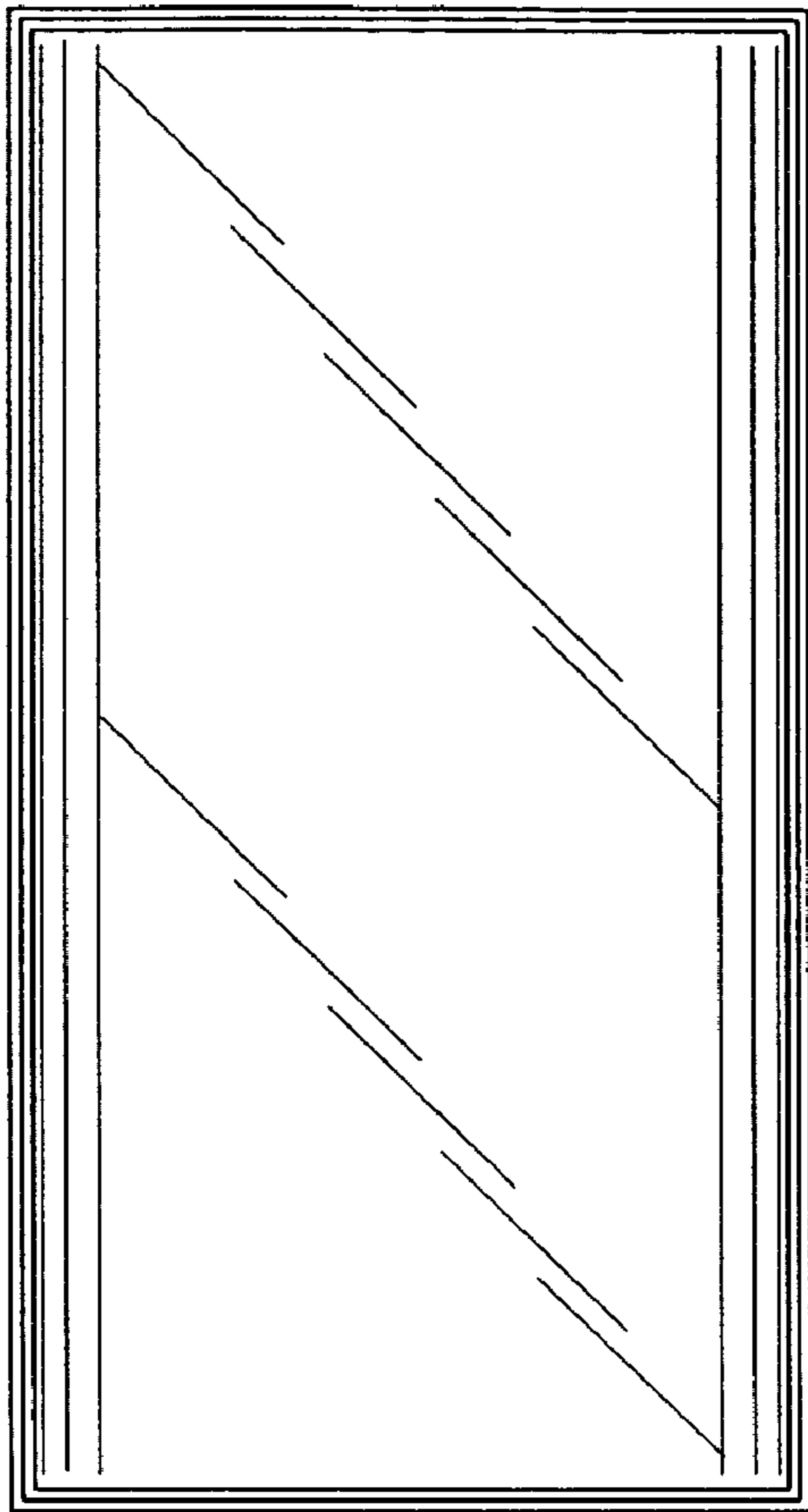


FIG. 15

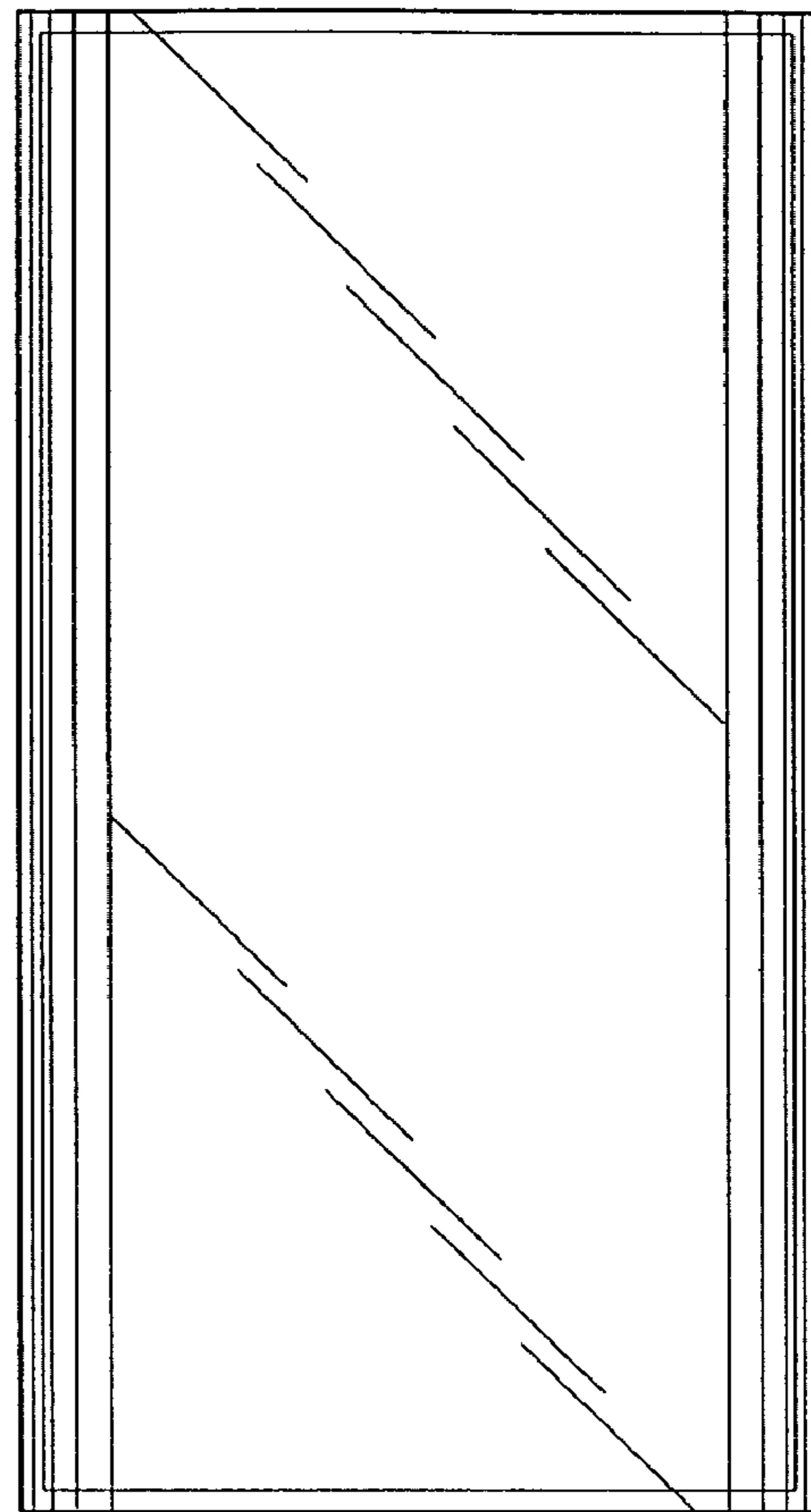


FIG. 16

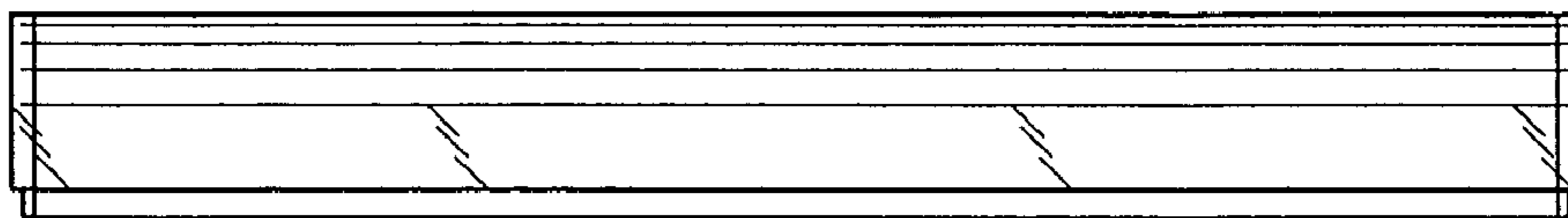


FIG. 17

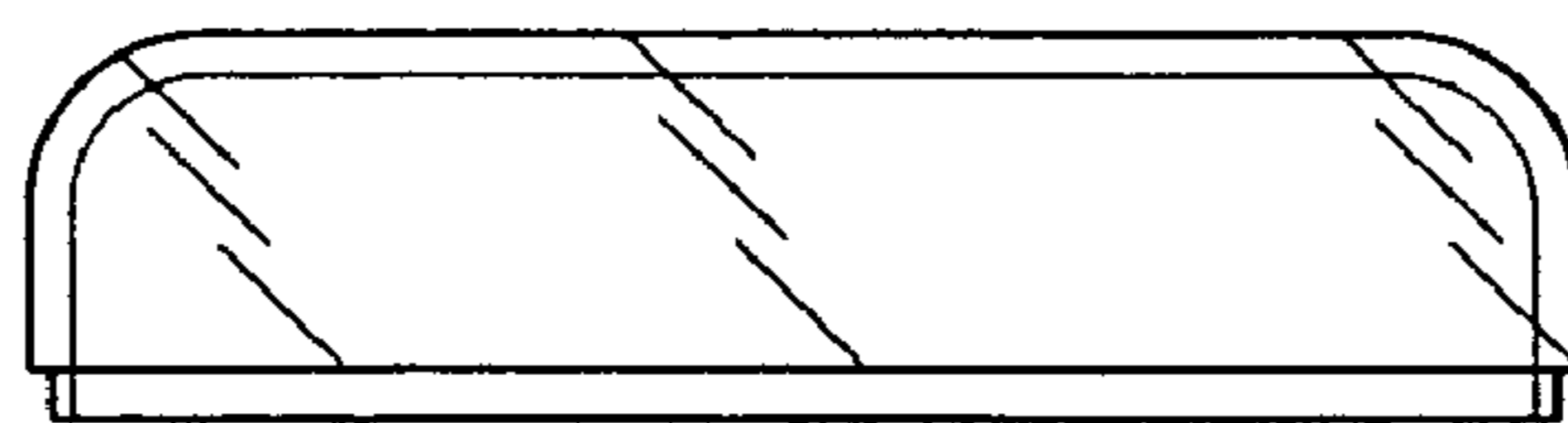


FIG. 18

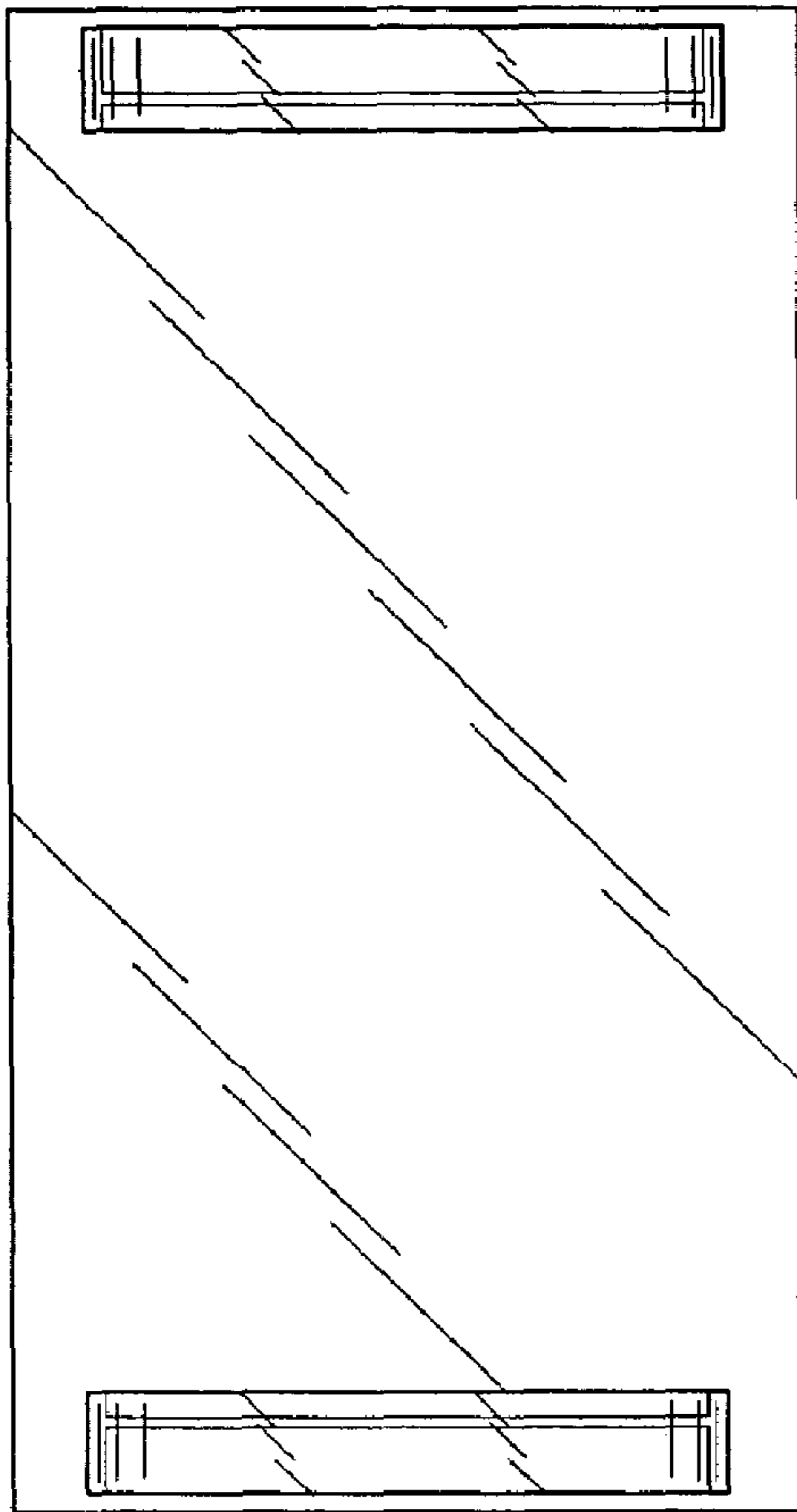


FIG. 19

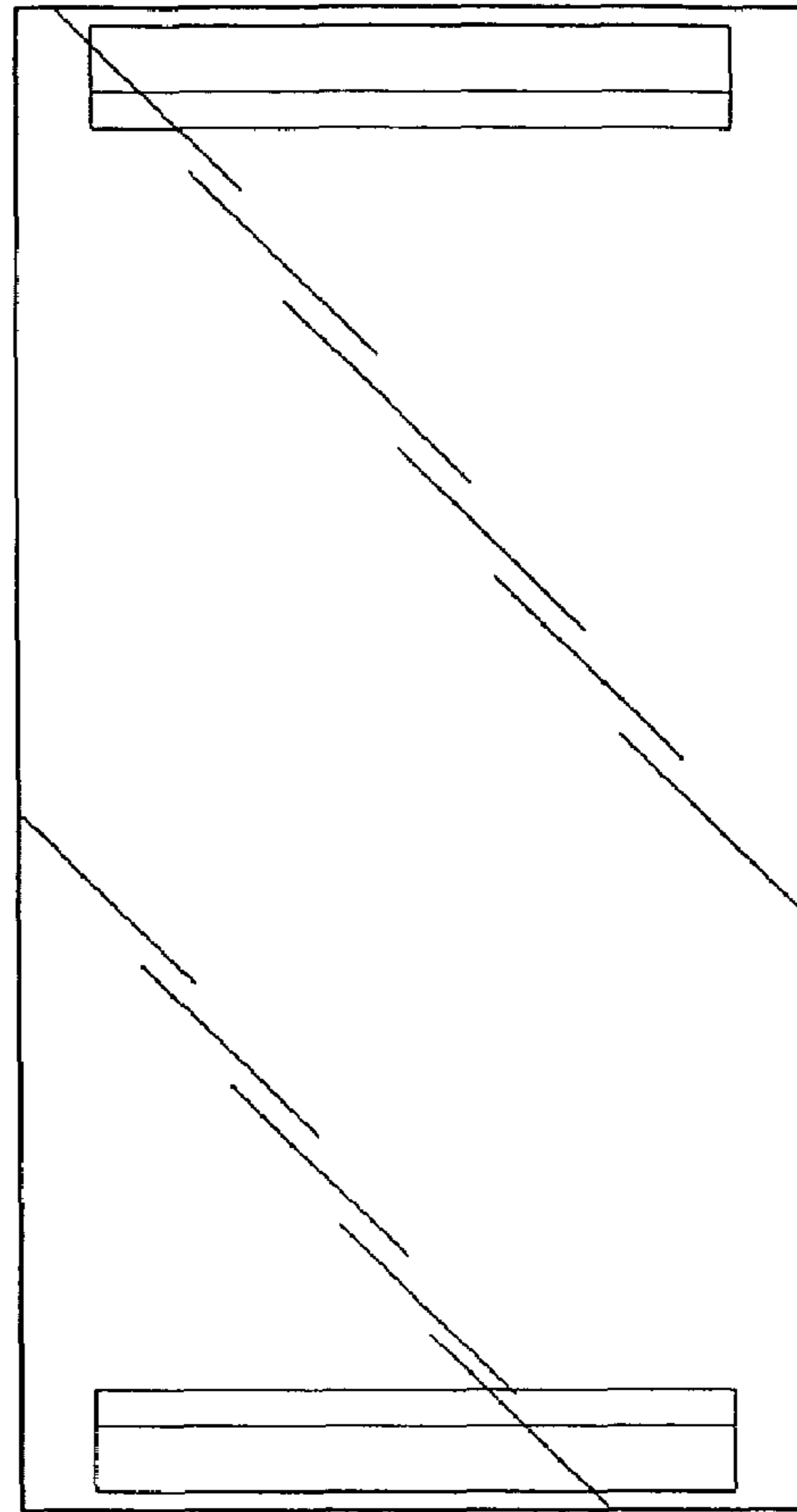


FIG. 20



FIG. 21

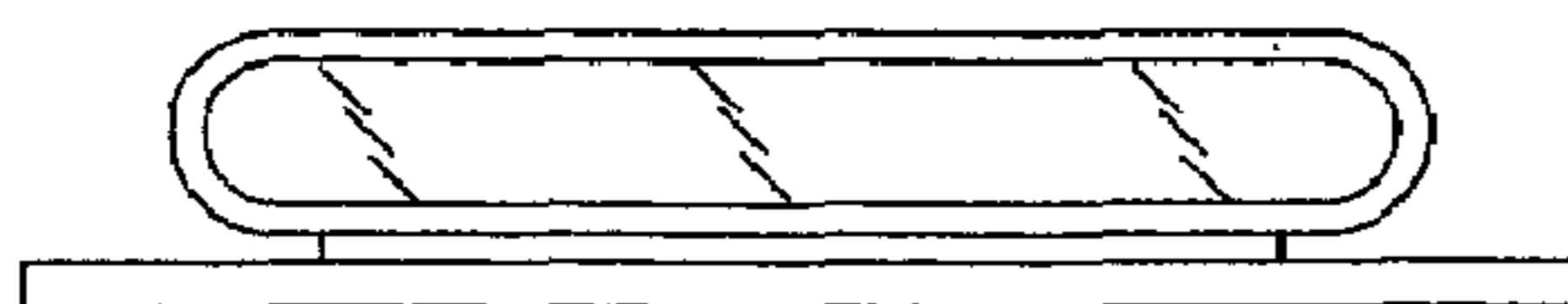


FIG. 22

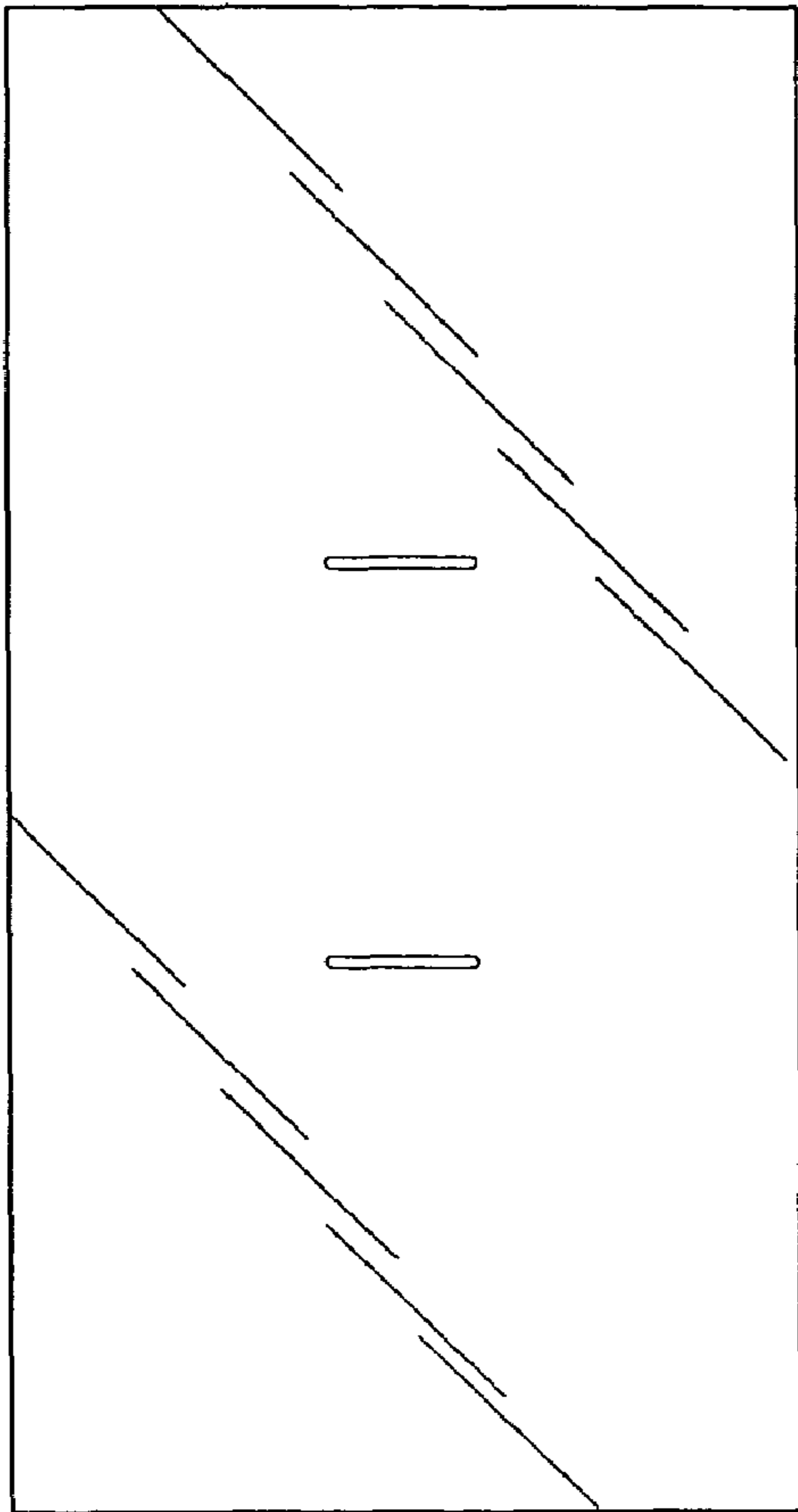


FIG. 23

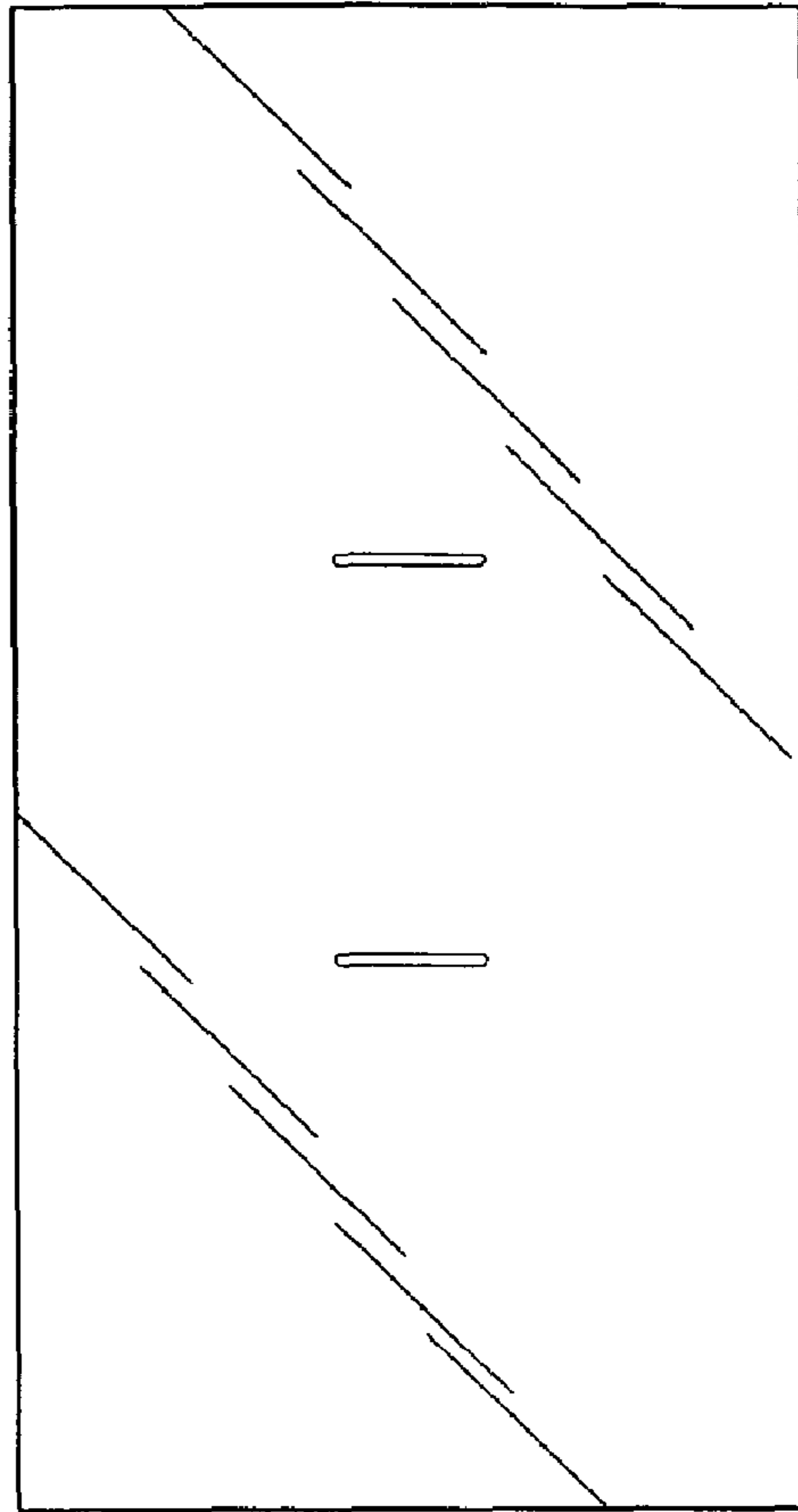


FIG. 24

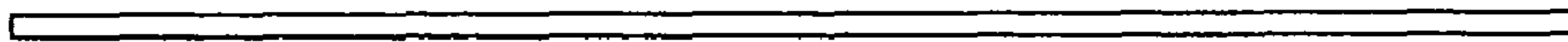


FIG. 25

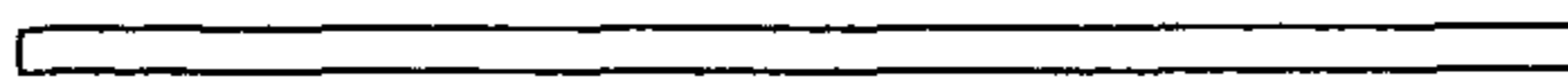


FIG. 26

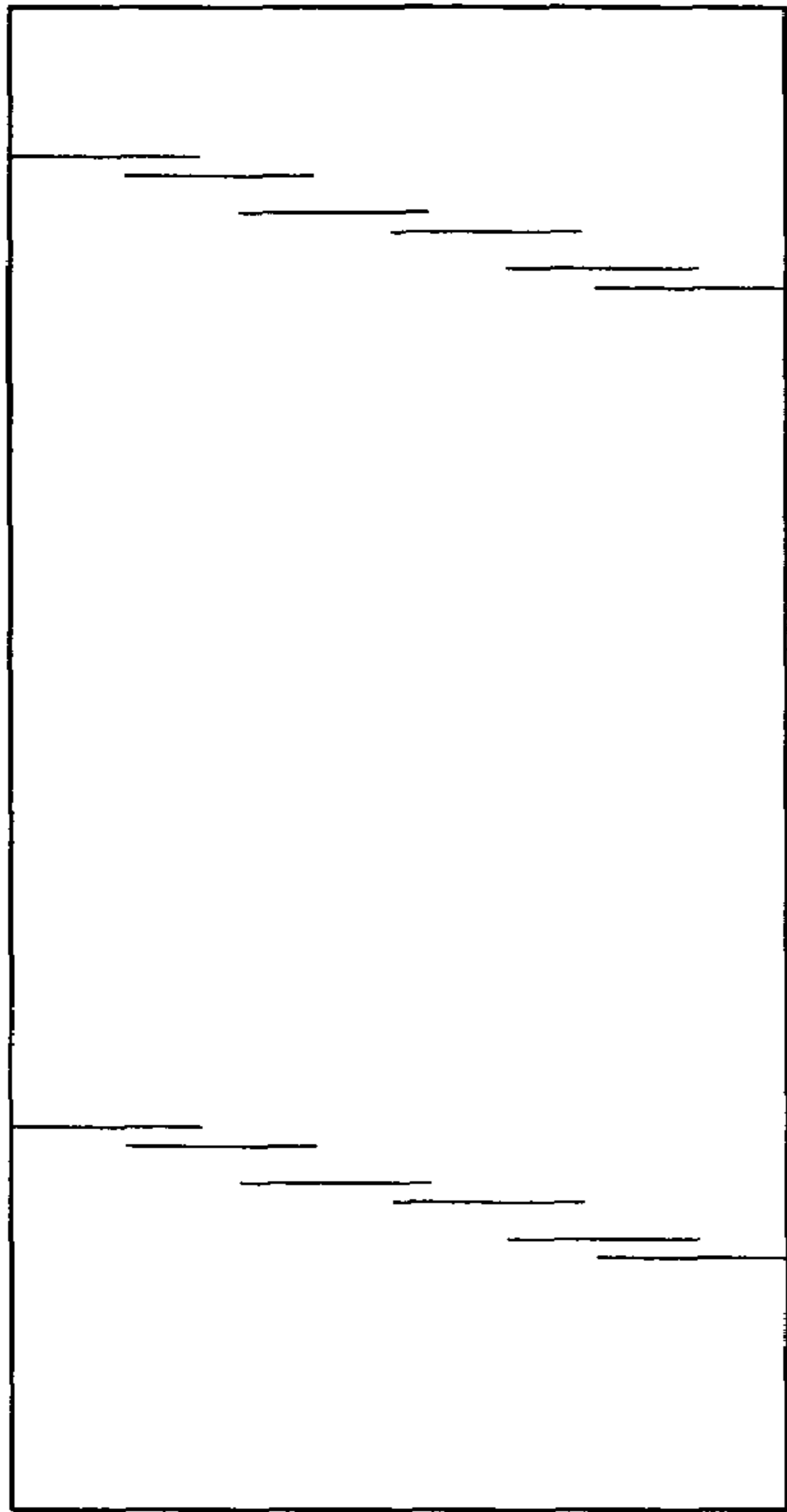


FIG. 27

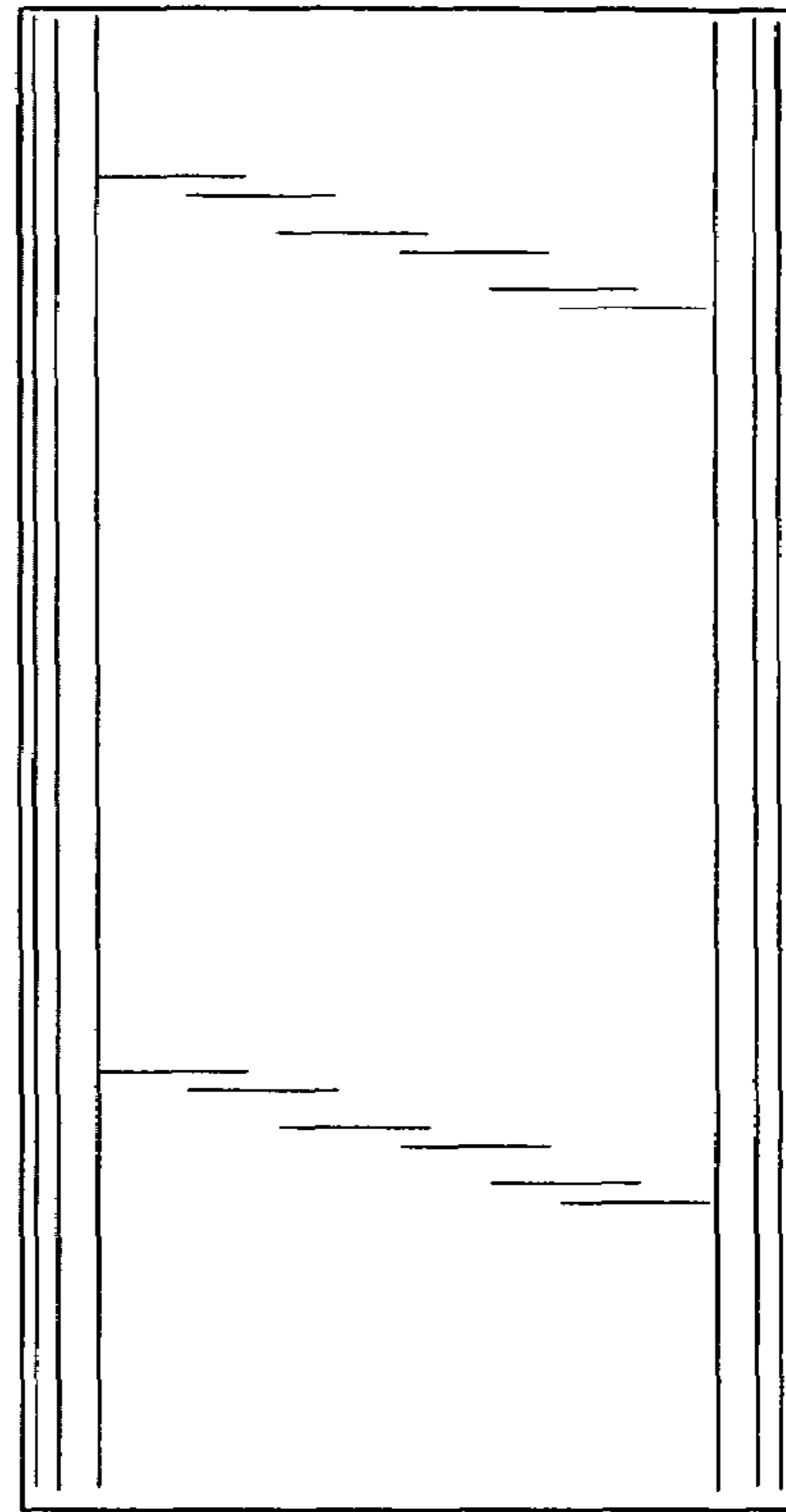


FIG. 28

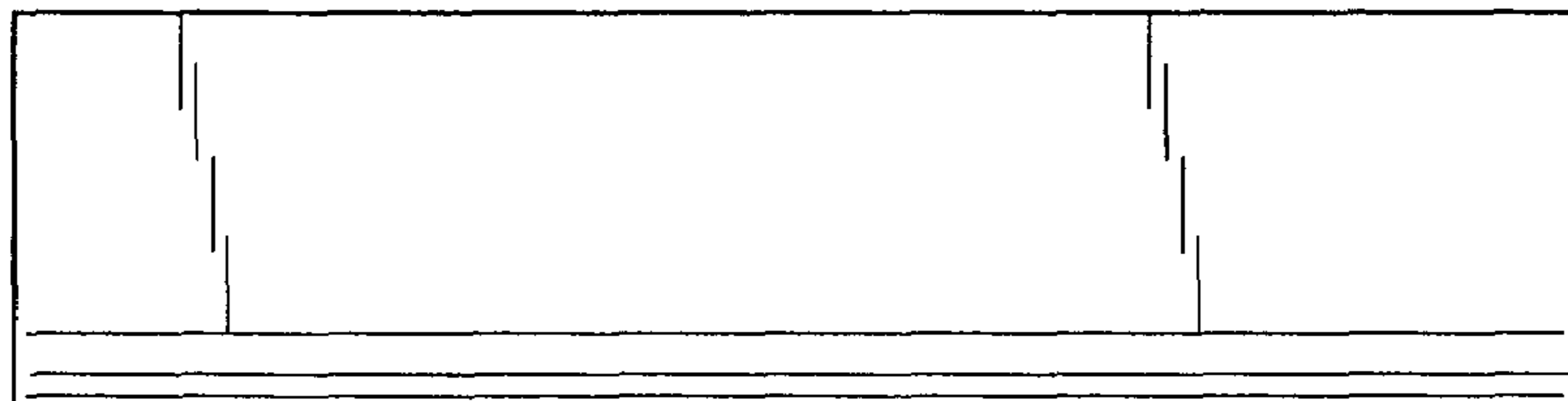


FIG. 29



FIG. 30