



US00D558569S

(12) **United States Design Patent**
Hanley

(10) **Patent No.:** **US D558,569 S**

(45) **Date of Patent:** **** Jan. 1, 2008**

(54) **SLIDING SCREEN TRACK**

(75) Inventor: **Marc Hanley**, Brookvale (AU)

(73) Assignee: **Hydroscreen Pty Ltd**, Brookvale (AU)

(**) Term: **14 Years**

(21) Appl. No.: **29/247,024**

(22) Filed: **May 24, 2006**

(51) **LOC (8) Cl.** **08-09**

(52) **U.S. Cl.** **D8/400**

(58) **Field of Classification Search** D8/349,
D8/354, 387, 397, 400, 499; D25/119, 124;
49/469, 425, 501, 411, 409, 410; 52/207,
52/658, 720.1, 736.1, 730.1, 737.1; 403/402
See application file for complete search history.

(56) **References Cited**

U.S. PATENT DOCUMENTS

2,873,095 A * 2/1959 Blum 256/65.15
D324,645 S * 3/1992 Magro et al. D8/380

D335,353 S * 5/1993 Baker D25/38
D337,257 S * 7/1993 Danieli D9/376
D353,467 S * 12/1994 Raynes D25/38
6,138,324 A * 10/2000 Lin 16/87.6 R
D443,457 S * 6/2001 Horsten D6/580
D489,209 S * 5/2004 Goldberg D6/580
D491,055 S * 6/2004 Chou D8/382

* cited by examiner

Primary Examiner—Cathron C. Brooks

Assistant Examiner—Barbara Fox

(74) *Attorney, Agent, or Firm*—Tucker Ellis & West LLP

(57) **CLAIM**

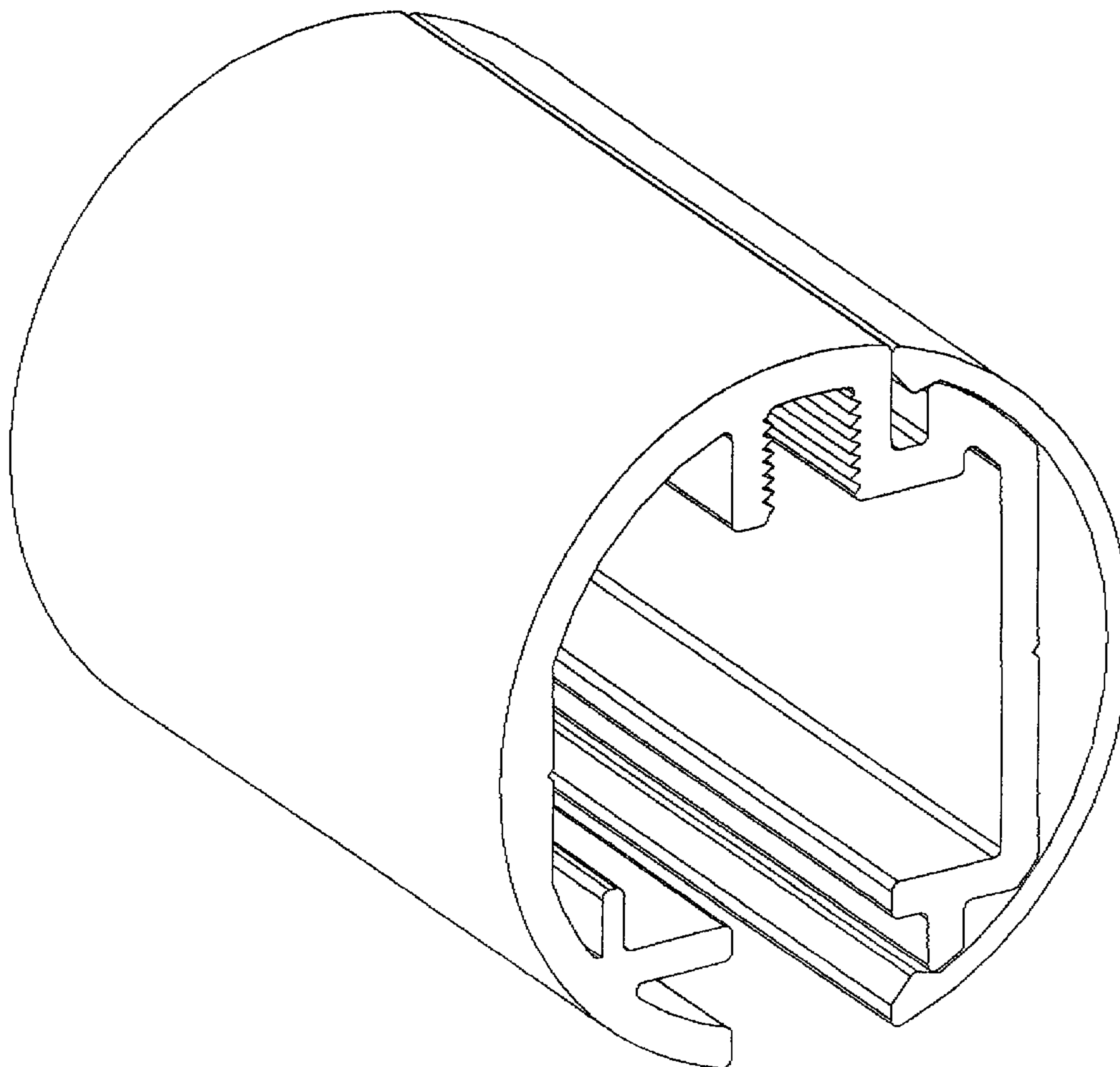
The ornamental design for a sliding screen track, as shown and described.

DESCRIPTION

FIG. 1 is an isometric view of a sliding screen track showing my new design; and,

FIG. 2 is a cross section view thereof.

1 Claim, 2 Drawing Sheets



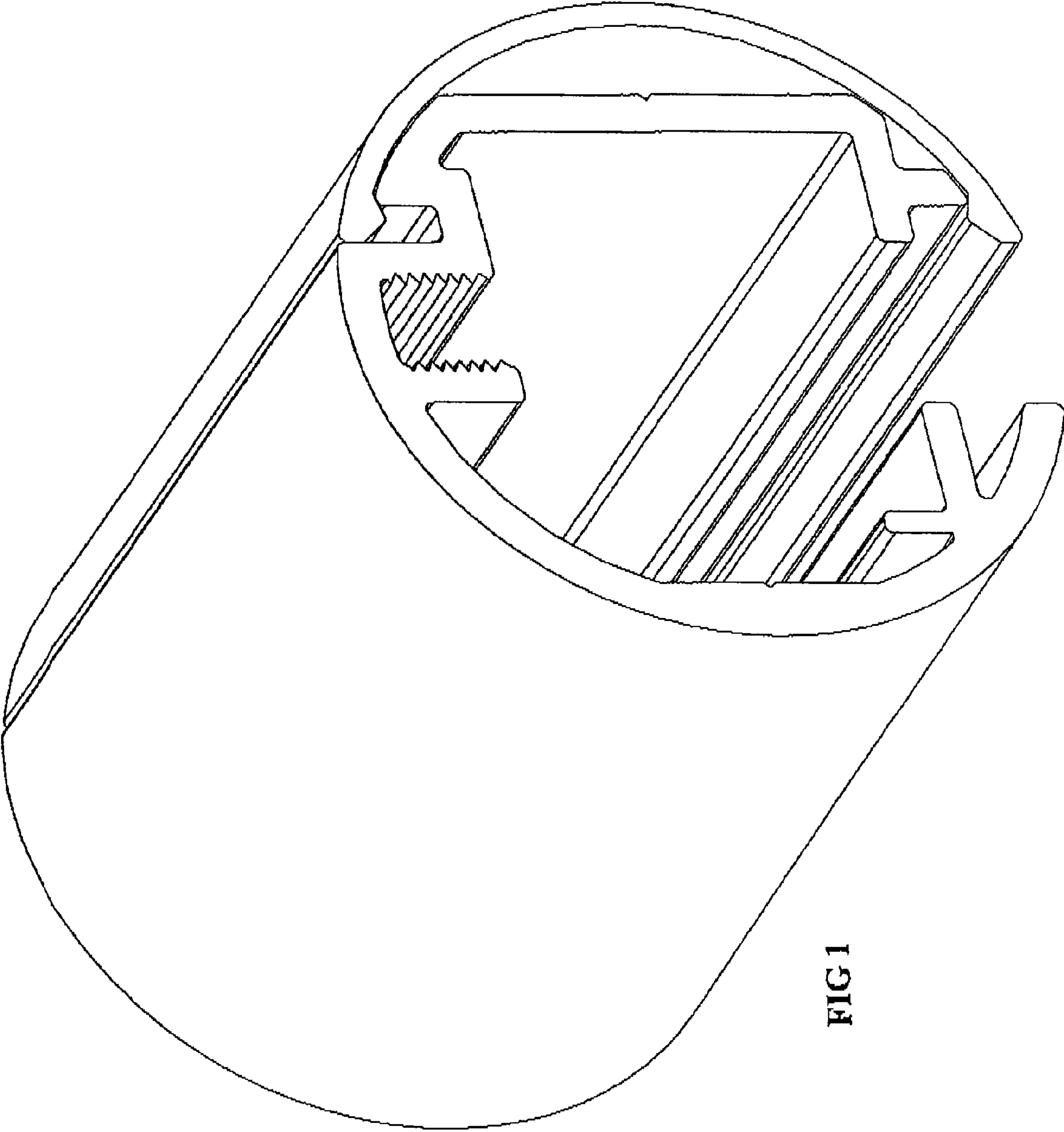


FIG 1

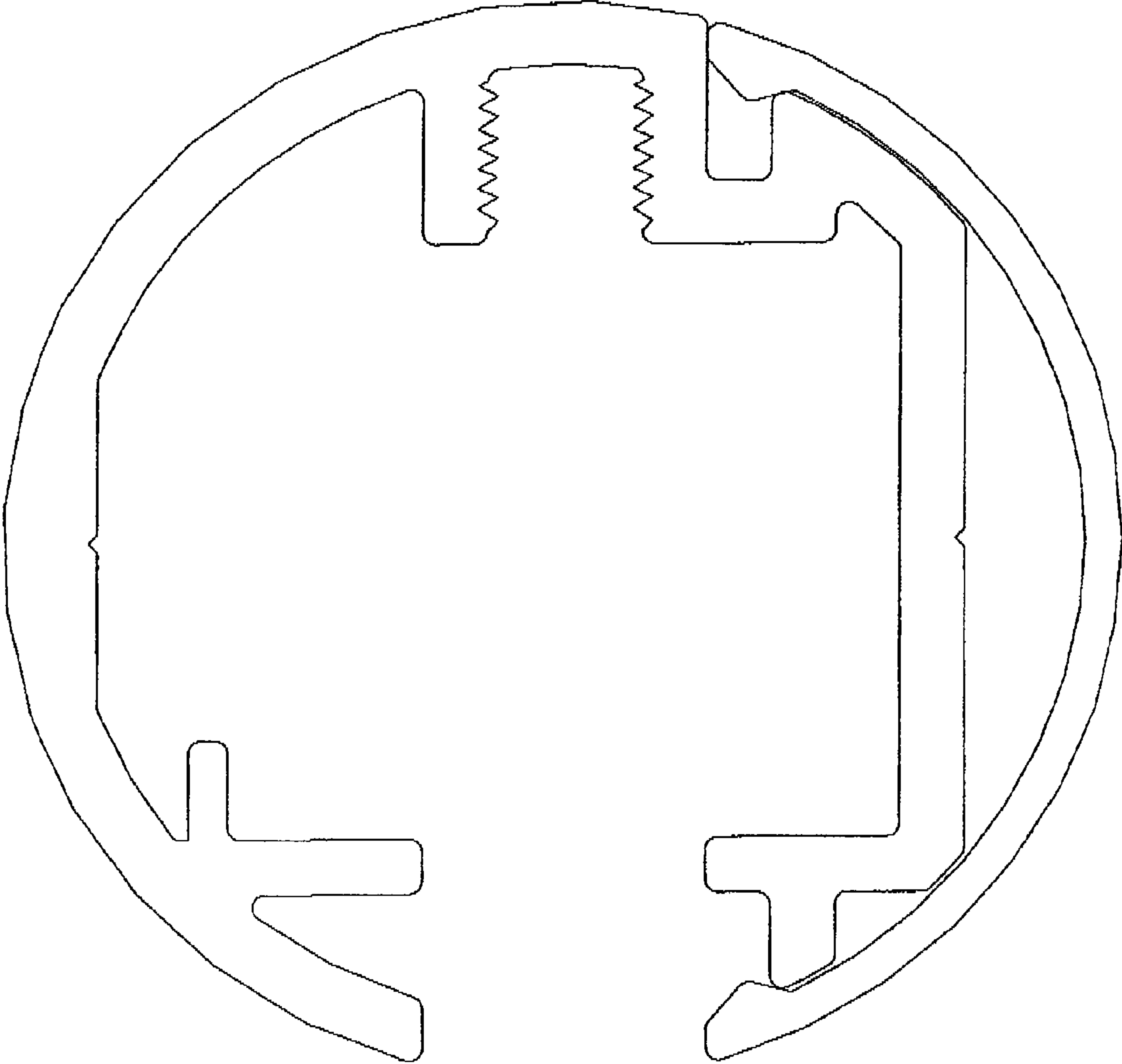


FIG 2