



US00D558568S

(12) **United States Design Patent** (10) **Patent No.:** **US D558,568 S**
Ng et al. (45) **Date of Patent:** **** Jan. 1, 2008**

(54) **ADJUSTABLE FOREHEAD SUPPORT
SCREW FOR RESPIRATORY MASK**

(74) *Attorney, Agent, or Firm*—Nixon & Vanderhye P.C.

(75) Inventors: **Eva Ng**, Double Bay (AU); **Scott Alexander Howard**, Harbord (AU); **Vincent Chu**, Little Bay (AU); **Murray William Lee**, Quakers Hill (AU); **Errol Savio Alex D'Souza**, Hornsby (AU)

(57) **CLAIM**

The ornamental design for an adjustable forehead support screw for a respiratory mask, as shown and described.

(73) Assignee: **ResMed Limited**, Bella Vista (AU)

DESCRIPTION

(**) Term: **14 Years**

FIG. 1 is a front perspective view of an adjustable forehead support screw for a respiratory mask according to our design;

(21) Appl. No.: **29/251,714**

FIG. 2 is a front view thereof;

(22) Filed: **Jan. 12, 2006**

FIG. 3 is a rear view thereof;

(51) **LOC (8) Cl.** **08-08**

FIG. 4 is a left side view thereof;

(52) **U.S. Cl.** **D8/387**

FIG. 5 is a right side view thereof;

(58) **Field of Classification Search** D8/387-388;
411/403, 366.1, 378, 387.1, 393, 402
See application file for complete search history.

FIG. 6 is a top view thereof;

FIG. 7 is a bottom view thereof;

(56) **References Cited**

FIG. 8 is a rear perspective view thereof; and,

U.S. PATENT DOCUMENTS

FIG. 9 is a front perspective view of the screw in position on a respiratory mask.

D397,030 S * 8/1998 Lawson D8/387

D532,178 S * 11/2006 Martin D34/31

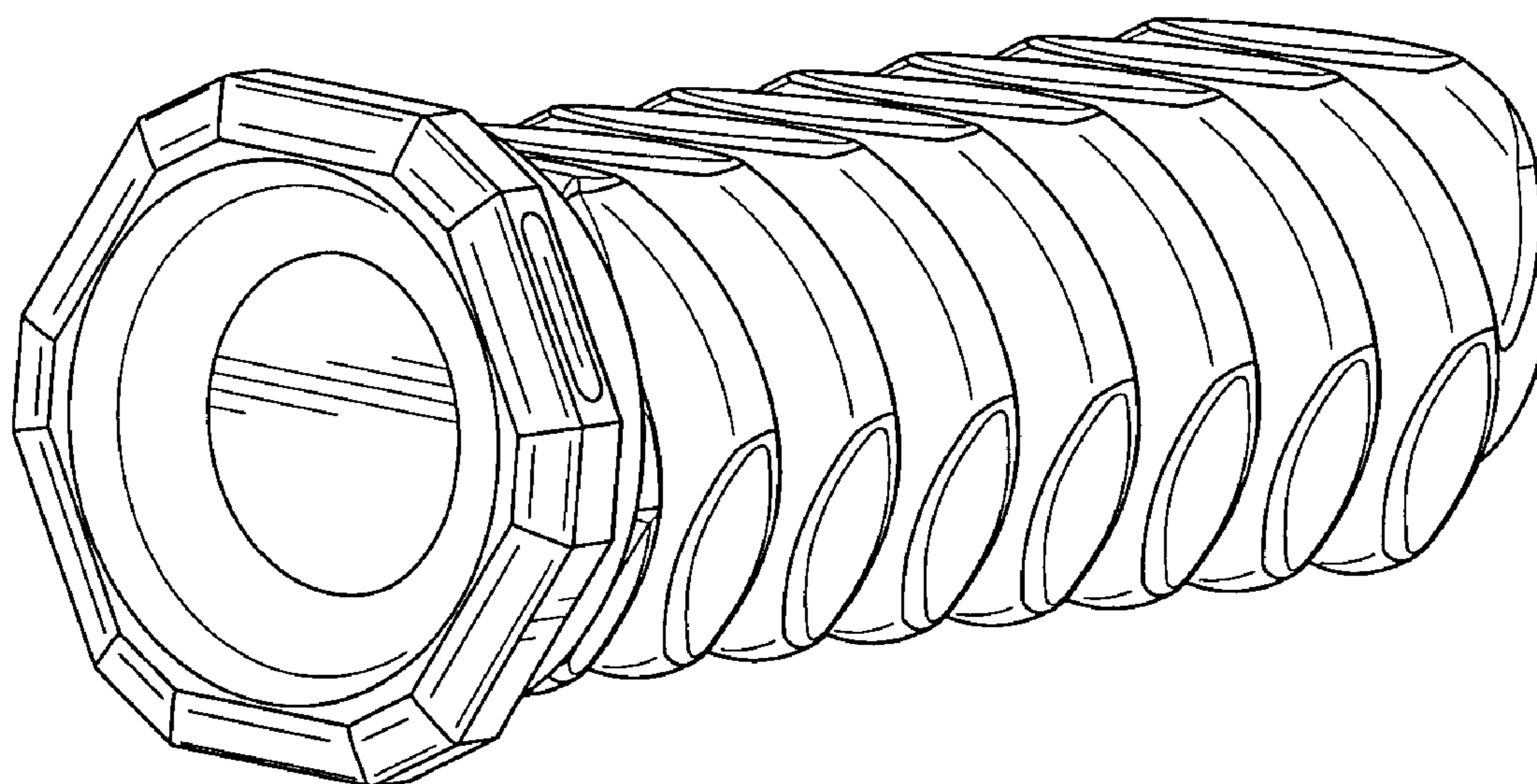
In FIG. 9, the broken lines showing environment or structure are for illustrative purposes only and form no part of the claimed design.

* cited by examiner

Primary Examiner—Holly H. Baynham

1 Claim, 5 Drawing Sheets

Assistant Examiner—Sheryl Friedman



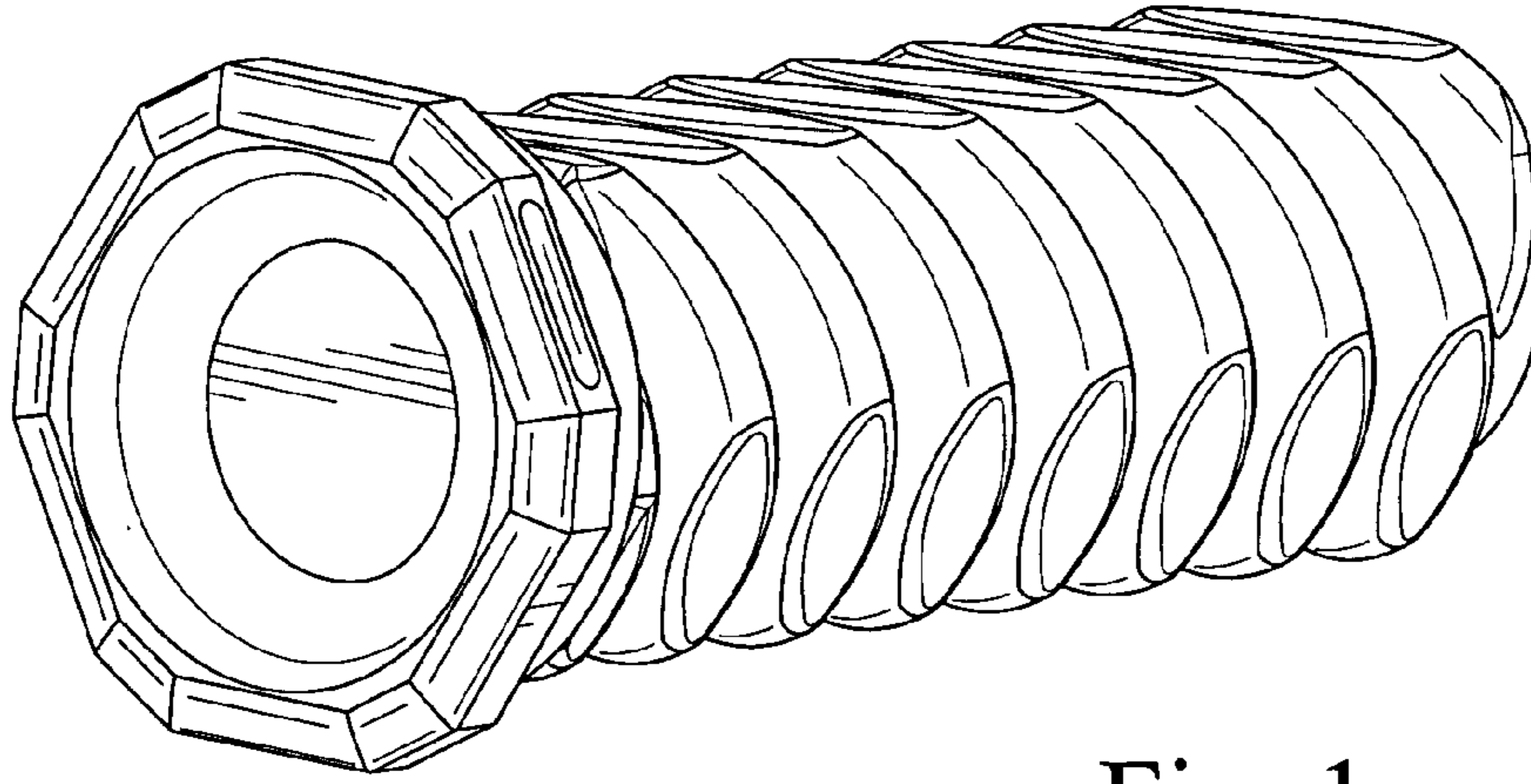


Fig. 1

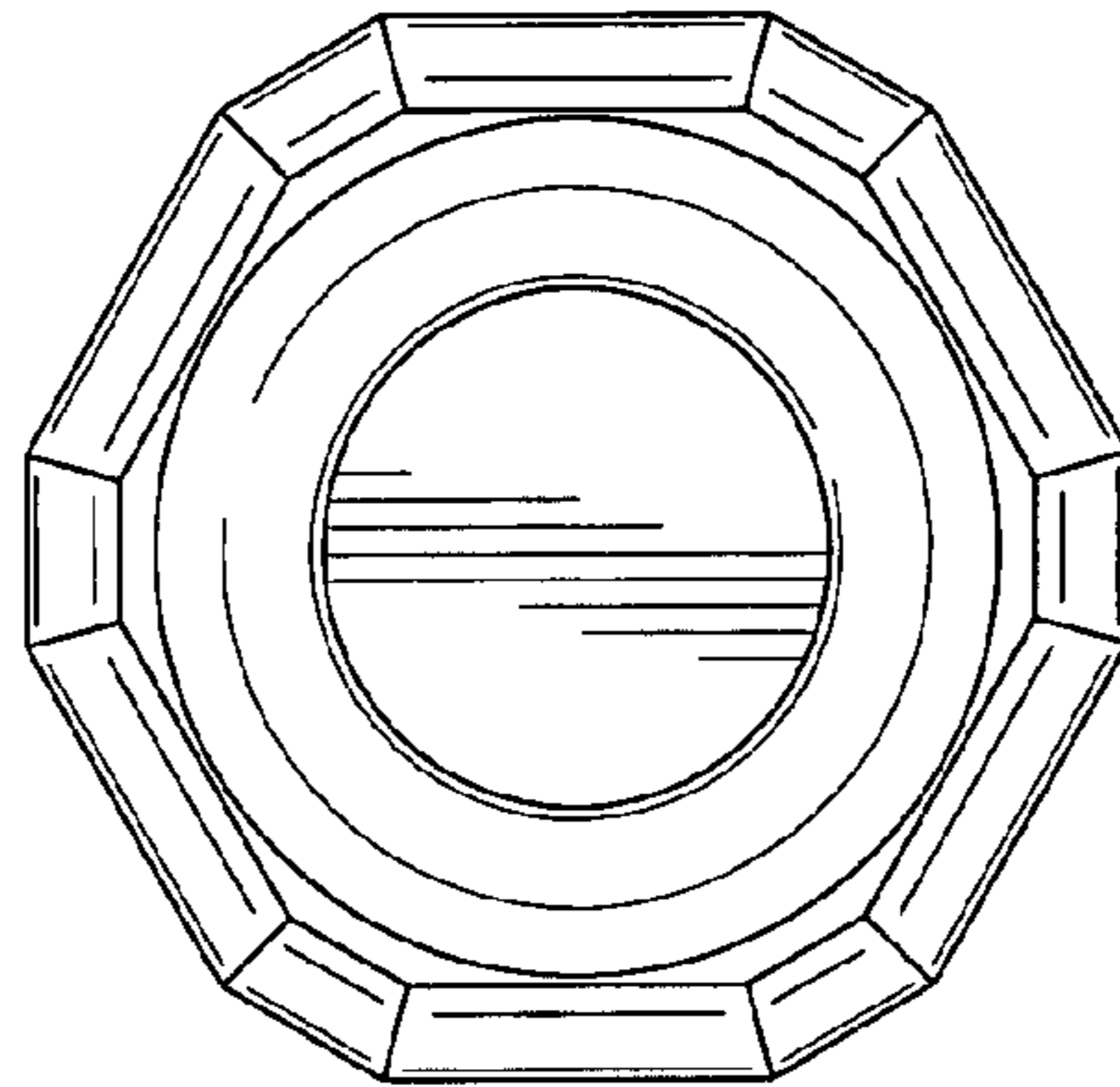


Fig. 2

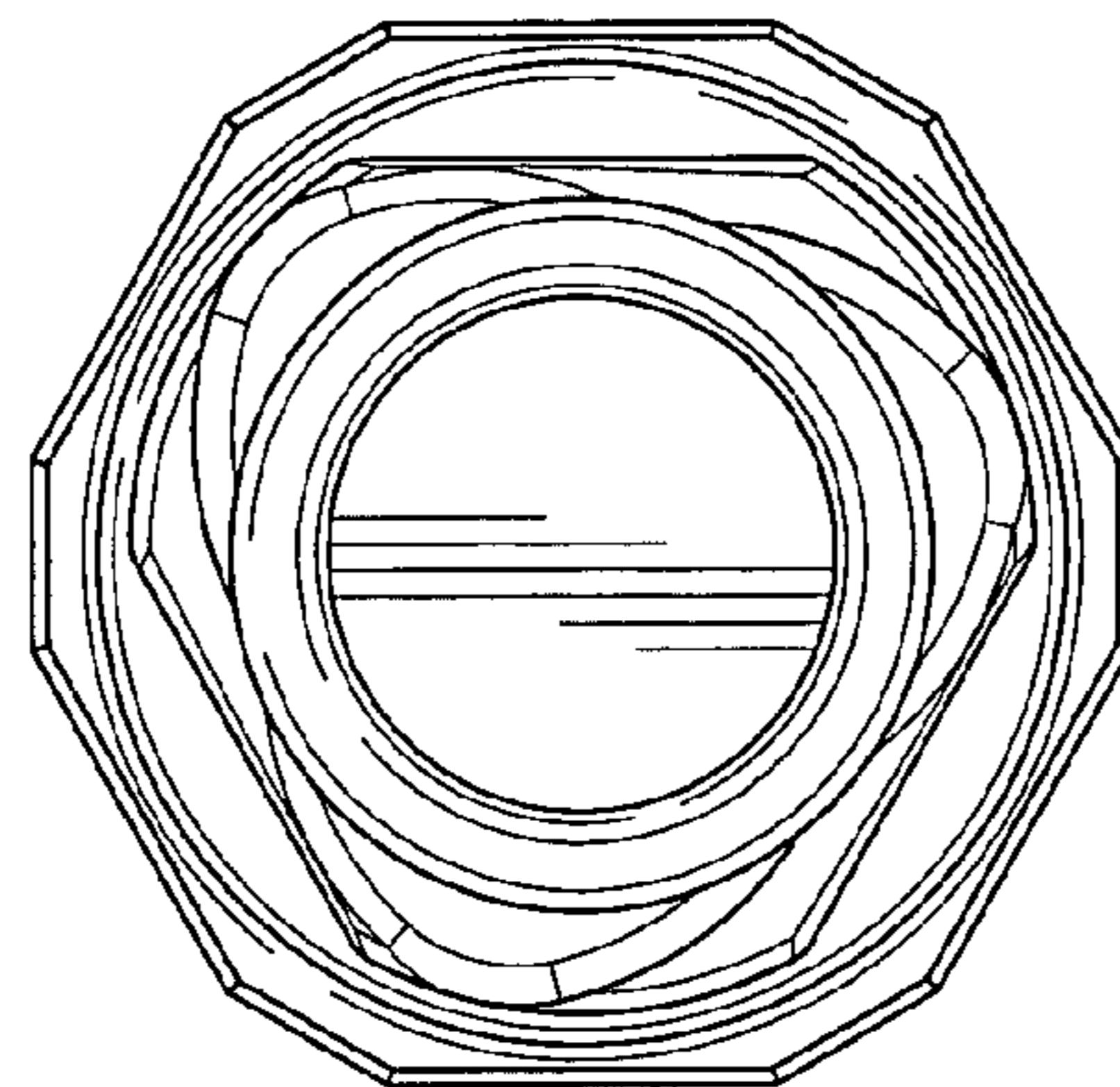


Fig. 3

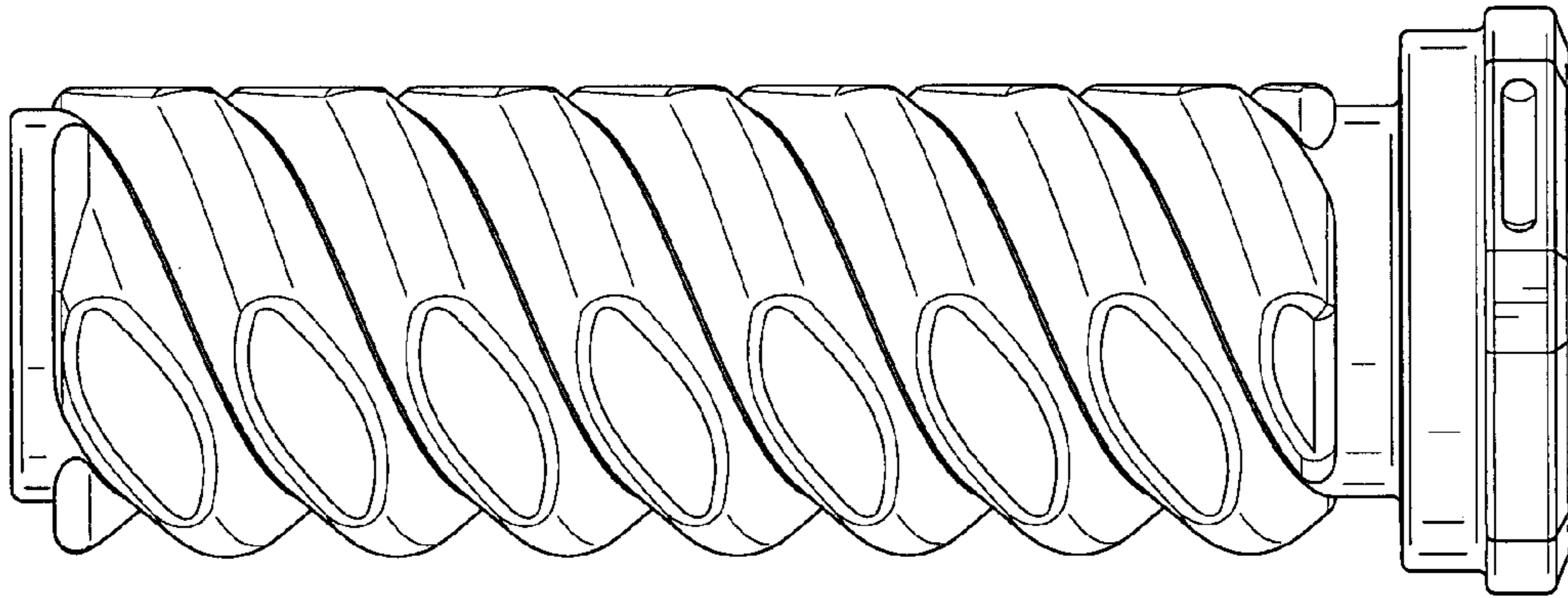


Fig. 4

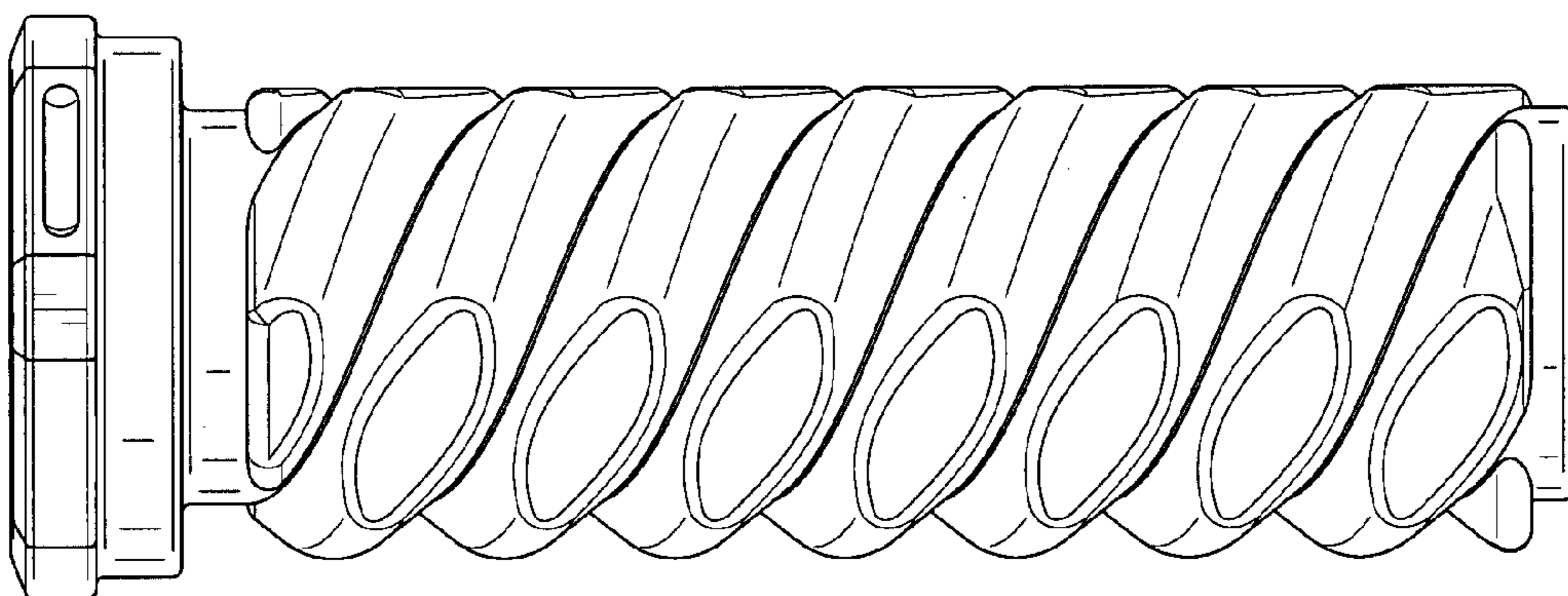


Fig. 5

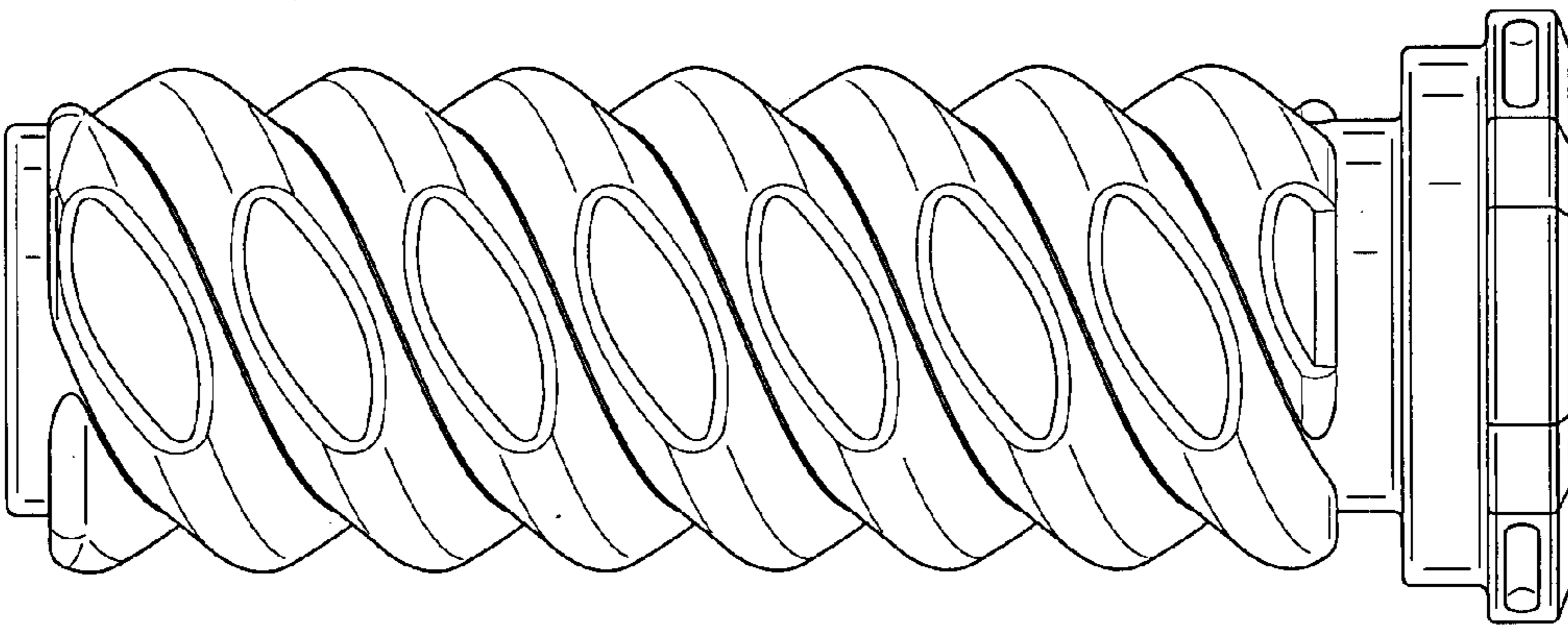


Fig. 6

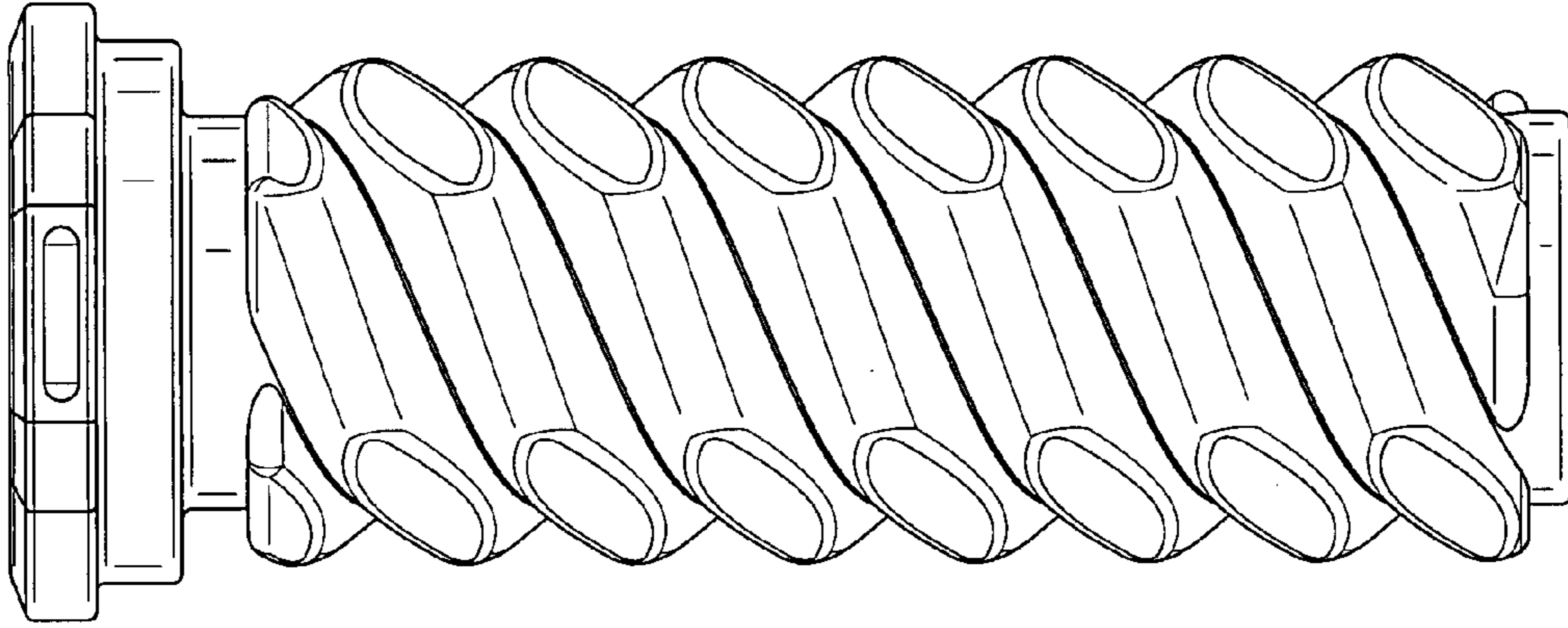


Fig. 7

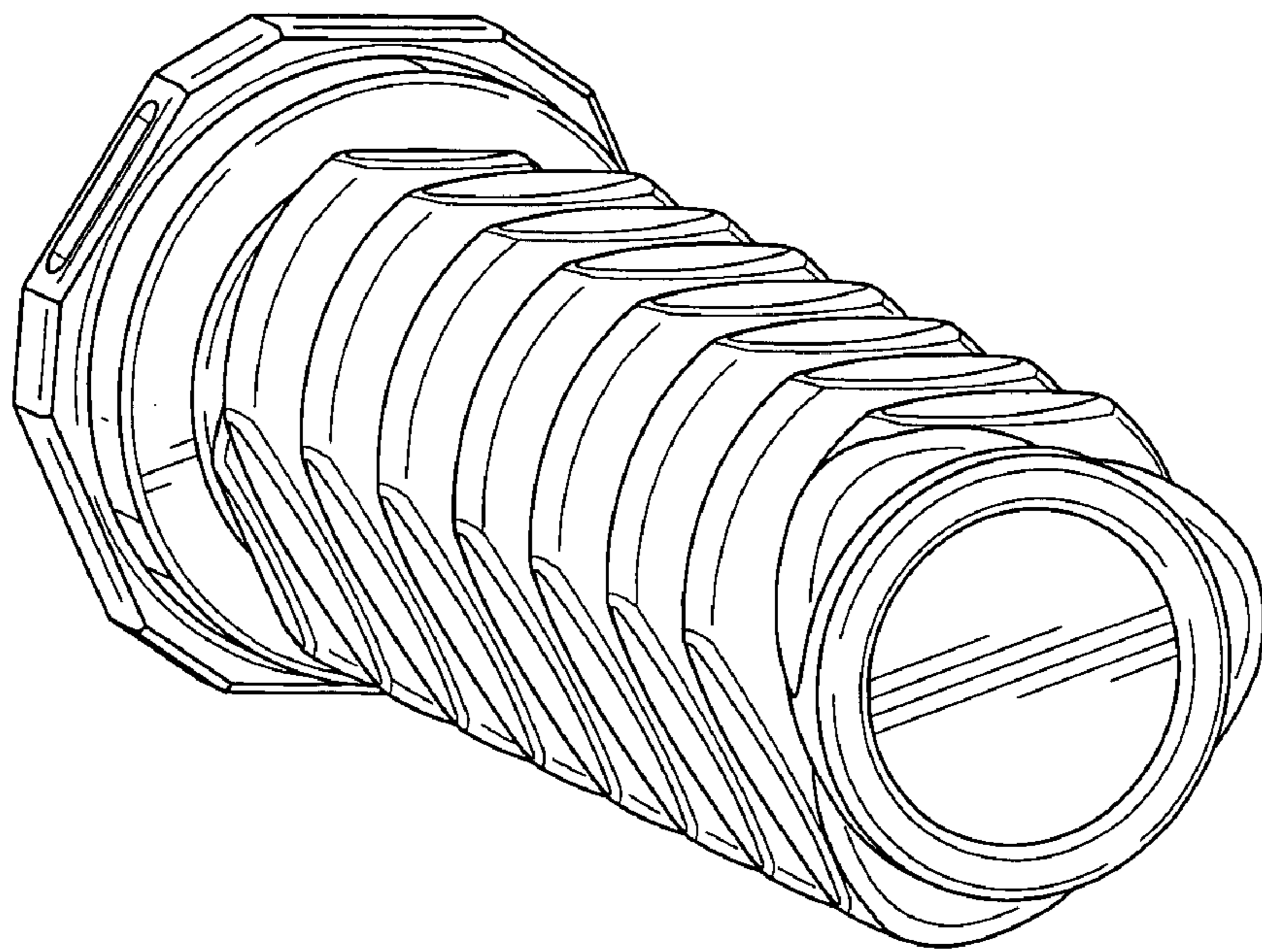


Fig. 8

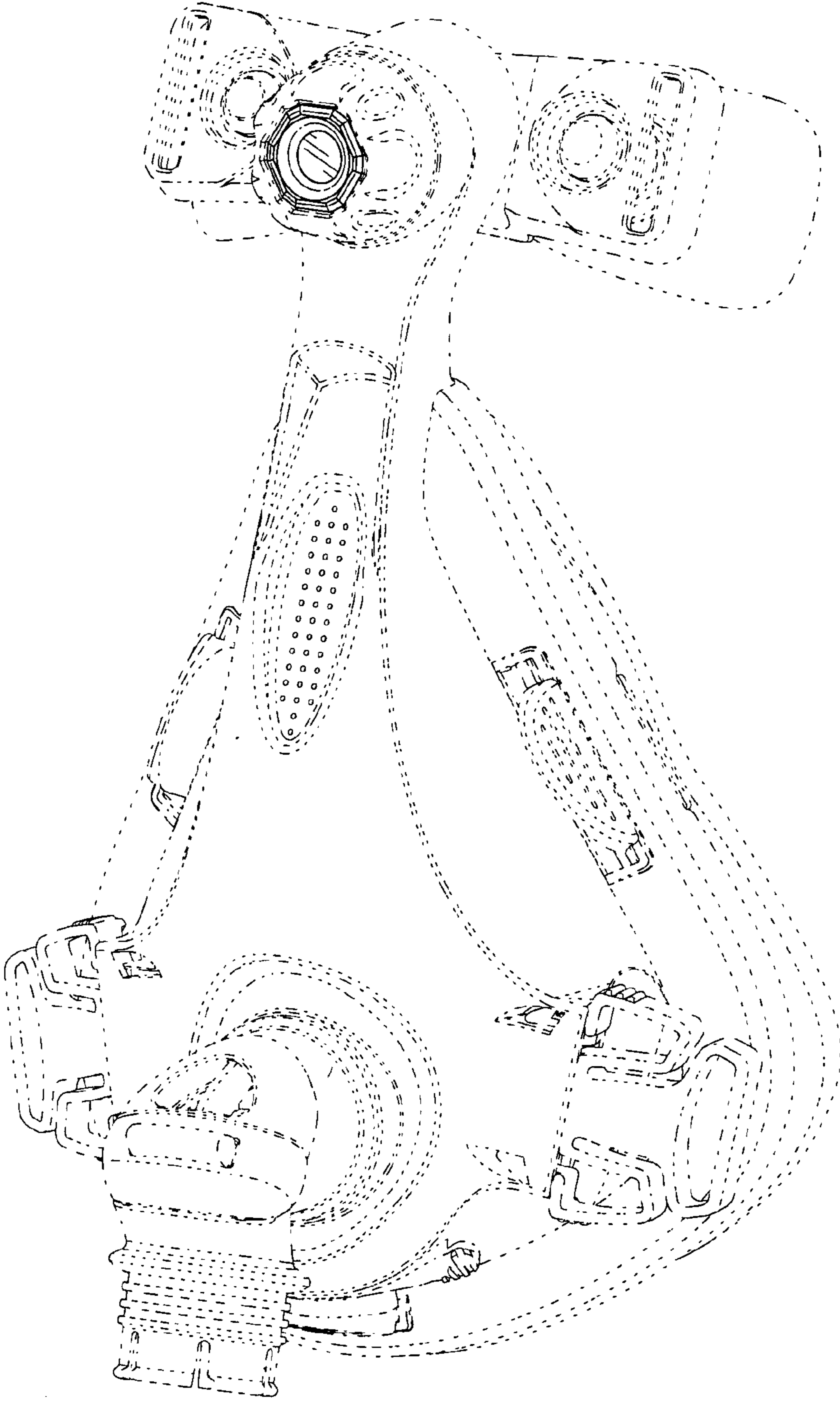


Fig. 9