



US00D558566S

(12) **United States Design Patent**  
**Ziaylek**

(10) **Patent No.:** **US D558,566 S**  
(45) **Date of Patent:** **\*\* Jan. 1, 2008**

(54) **MOUNTING BRACKET FOR DETACHABLY  
RETAINING A CYLINDRICAL TANK  
MEMBER**

*Primary Examiner*—Holly H. Baynham  
(74) *Attorney, Agent, or Firm*—Sperry, Zoda & Kane

(76) **Inventor:** **Michael Paul Ziaylek**, 15 Cold Spring  
Ave., Yardley, PA (US) 19067

(57) **CLAIM**

The ornamental design for a mounting bracket for detachably retaining a cylindrical tank member, as shown.

(\*\*) **Term:** **14 Years**

(21) **Appl. No.:** **29/265,788**

**DESCRIPTION**

(22) **Filed:** **Sep. 8, 2006**

FIG. 1 is a front three-quarter perspective embodying my new design;

(51) **LOC (8) Cl.** ..... **08-05**

FIG. 2 is a front plan view;

(52) **U.S. Cl.** ..... **D8/373**

FIG. 3 is a side plan view as seen from the left of FIG. 1;

(58) **Field of Classification Search** ..... D8/373;  
248/307, 316.1

FIG. 4 is a side plan view as seen from the right of FIG. 1;

See application file for complete search history.

FIG. 5 is a rear plan view;

(56) **References Cited**

FIG. 6 is a top plan view; and,

**U.S. PATENT DOCUMENTS**

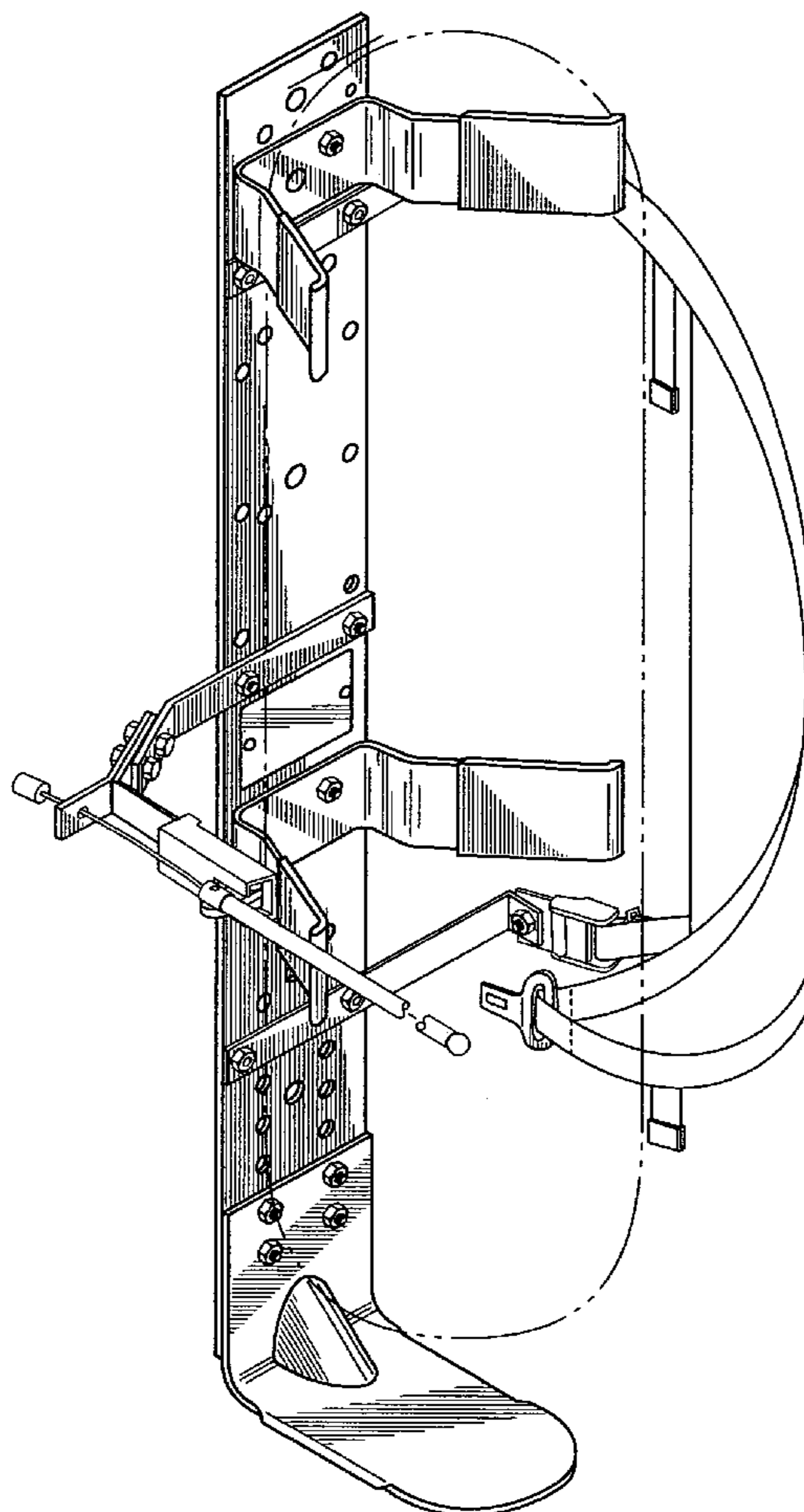
FIG. 7 is a bottom plan view.

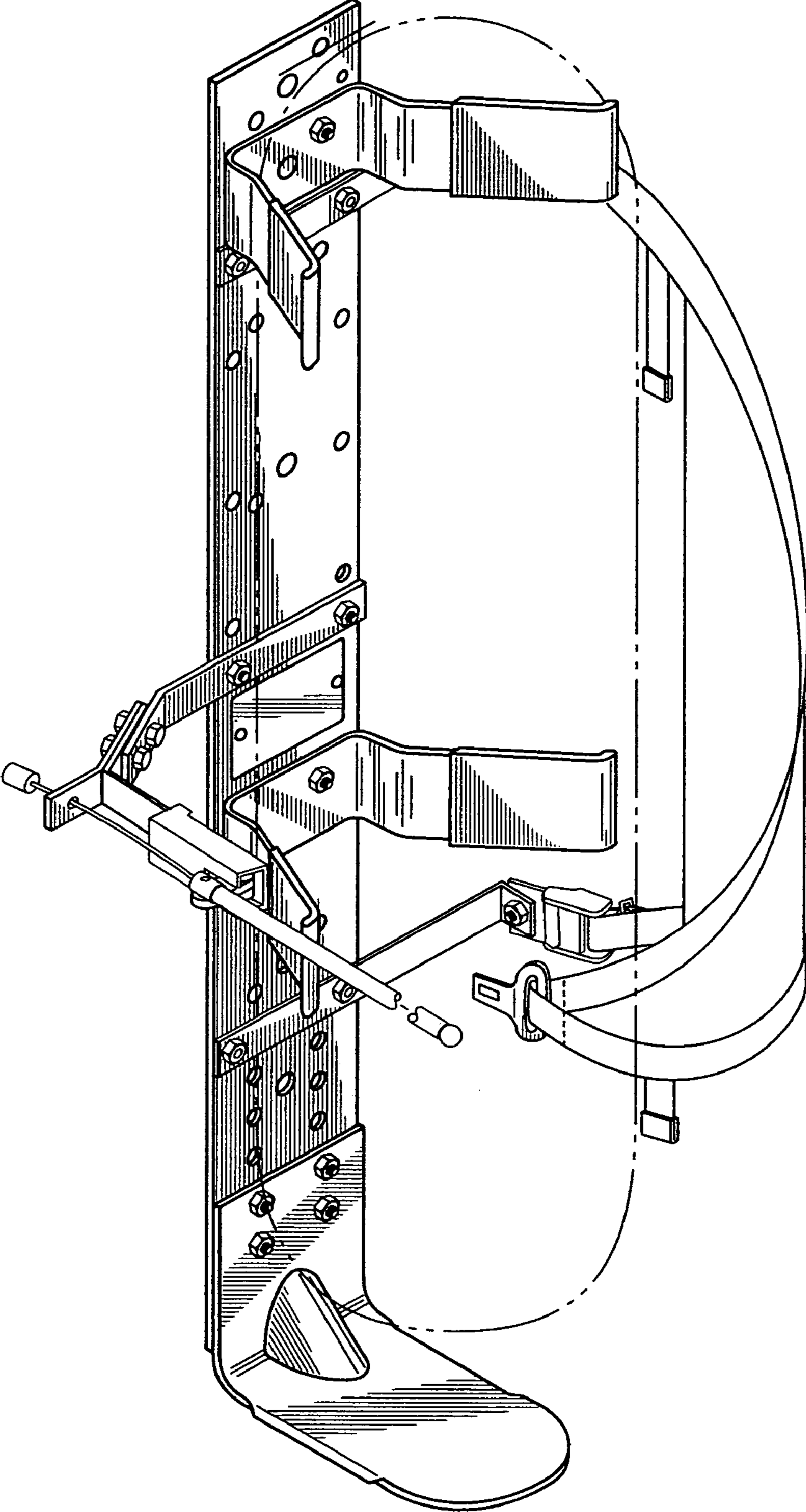
D394,381 S *	5/1998	Ziaylek et al. ....	D8/354
6,220,557 B1 *	4/2001	Ziaylek et al. ....	248/316.1
6,926,243 B1 *	8/2005	Ziaylek et al. ....	248/307

The broken line showing of a tank is included for the purpose of illustrating environment and forms no part of the claimed design.

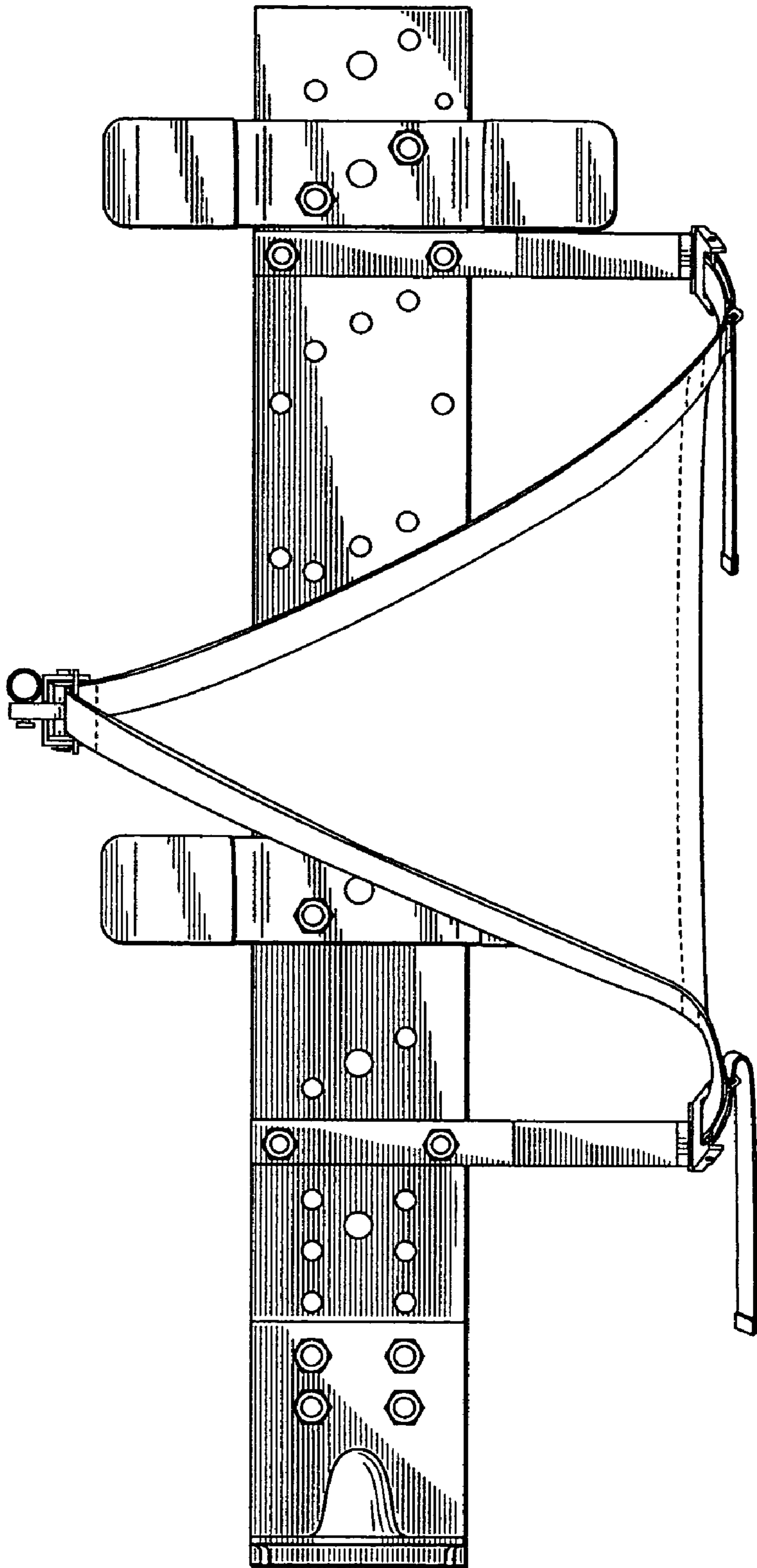
\* cited by examiner

**1 Claim, 5 Drawing Sheets**

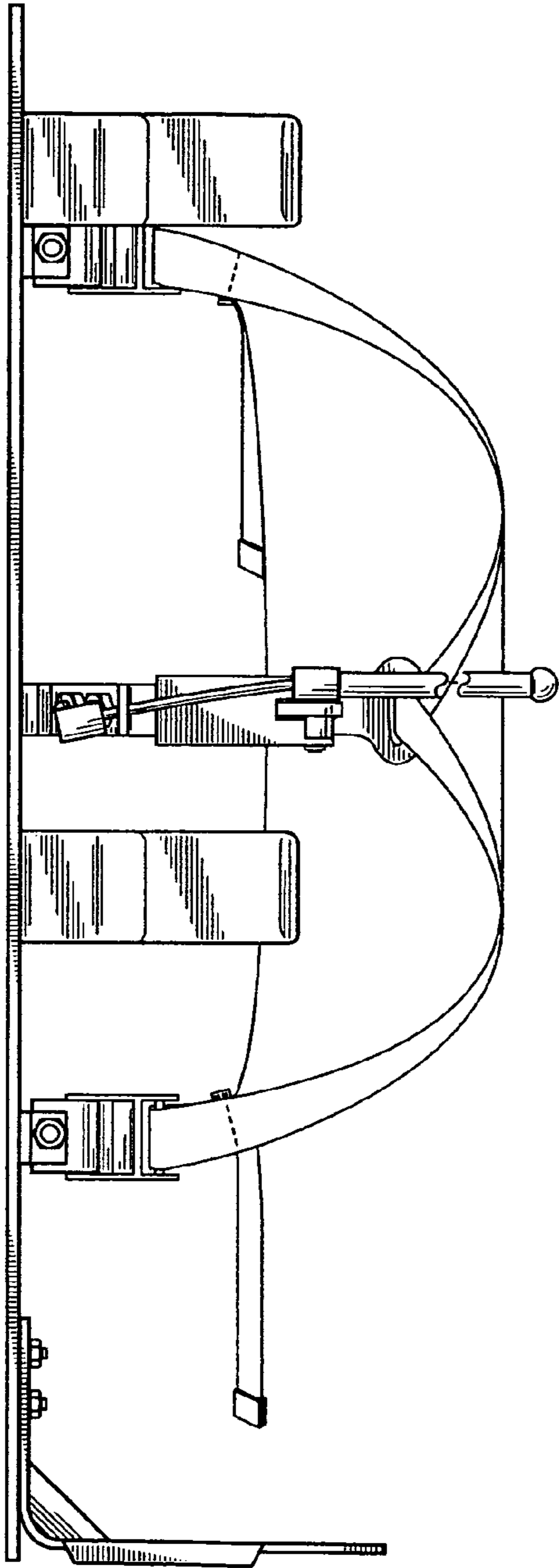




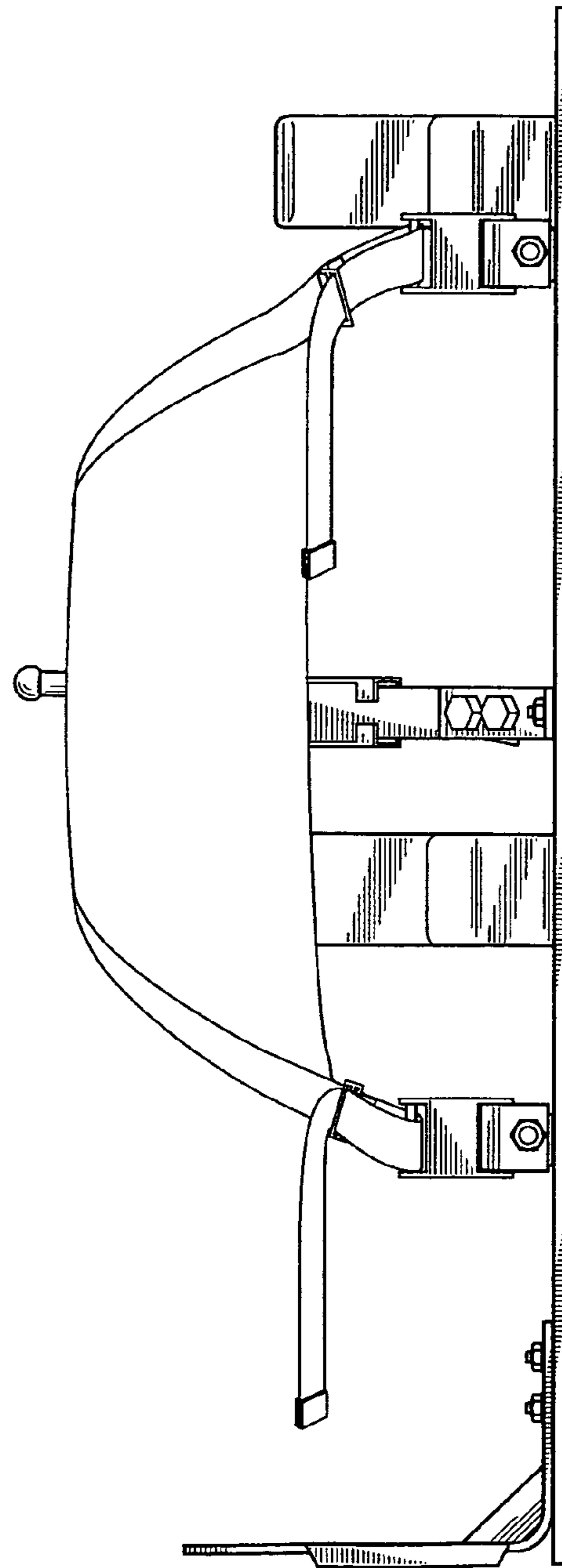
**FIG. 1**



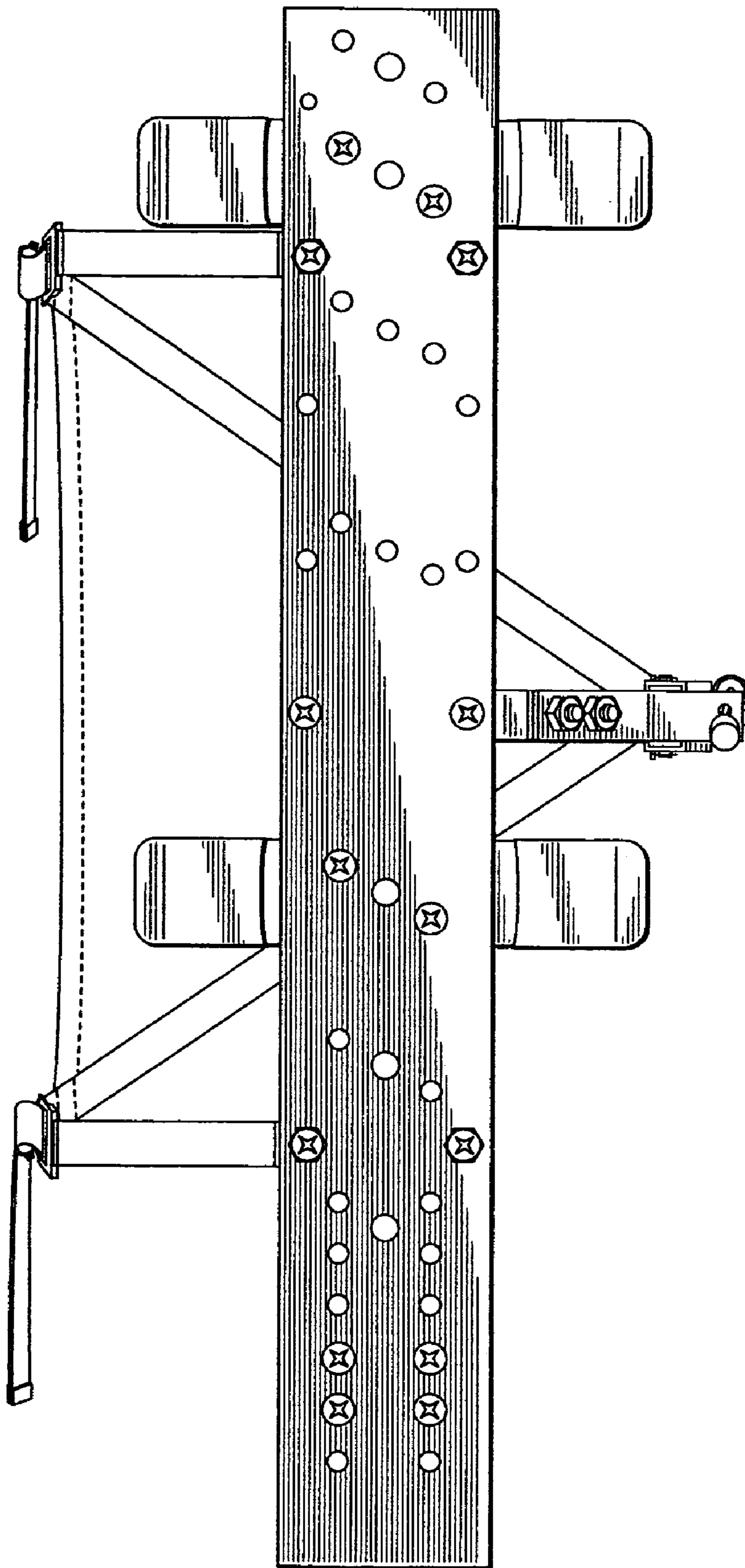
**FIG. 2**



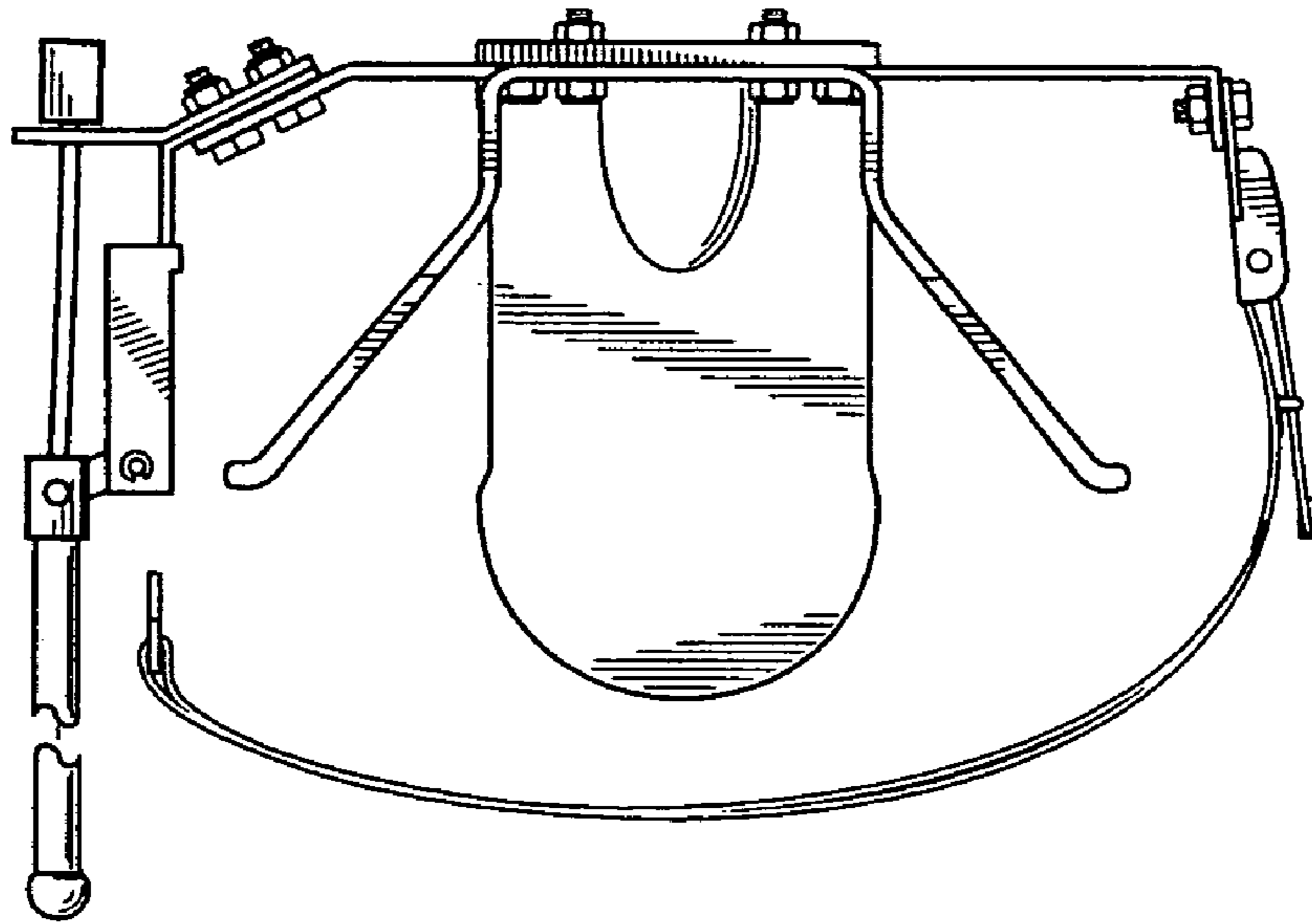
**FIG. 3**



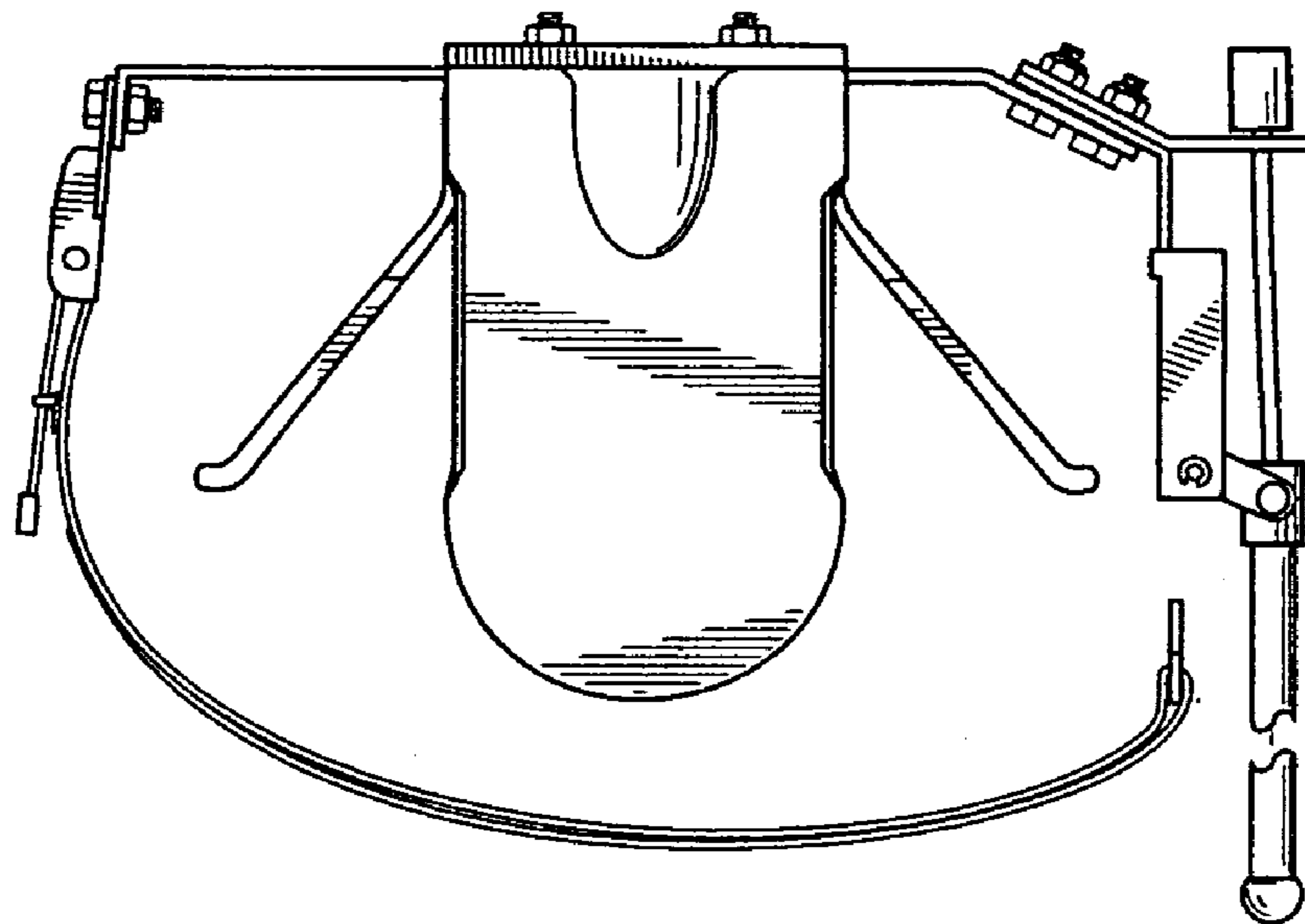
**FIG. 4**



**FIG. 5**



**FIG. 6**



**FIG. 7**