

US00D558565S

(12) **United States Design Patent**
Goodman et al.

(10) **Patent No.:** **US D558,565 S**

(45) **Date of Patent:** **** Jan. 1, 2008**

(54) **HOOK RACK**

(75) Inventors: **Sheldon H. Goodman**, Solon, OH
(US); **Kent W. Murphy**, Wooster, OH
(US)

(73) Assignee: **Spectrum Diversified Designs, Inc.**,
Streetsboro, OH (US)

(**) Term: **14 Years**

(21) Appl. No.: **29/251,881**

(22) Filed: **Jan. 13, 2006**

(51) **LOC (8) Cl.** **08-05**

(52) **U.S. Cl.** **D8/372**

(58) **Field of Classification Search** D8/370,
D8/371, 372, 373; 248/303, 227.4; D6/320,
D6/323, 566, 567, 569; 211/30, 31, 34, 35,
211/86, 87, 106

See application file for complete search history.

(56) **References Cited**

U.S. PATENT DOCUMENTS

520,214 A *	5/1894	Naumann	211/106
D291,154 S *	8/1987	Owen	D6/323
D294,791 S *	3/1988	Loscalzo et al.	D6/569
D294,792 S *	3/1988	Zimmerman	D6/569
D437,208 S *	2/2001	Snell	D8/372
D464,871 S *	10/2002	Kalat	D8/373
D494,048 S *	8/2004	Goodman et al.	D8/372
D544,279 S *	6/2007	Kivett et al.	D8/372

* cited by examiner

Primary Examiner—T. Chase Nelson

Assistant Examiner—Barbara B Lohr

(74) *Attorney, Agent, or Firm*—Pearne & Gordon LLP

(57) **CLAIM**

The ornamental design for hook rack, as shown and described.

DESCRIPTION

FIG. 1 is a perspective view of a hook rack showing our new design;

FIG. 2 is a front elevational view thereof;

FIG. 3 is a top plan view thereof;

FIG. 4 is side elevational view thereof;

FIG. 5 is a perspective view of a second embodiment of a hook rack;

FIG. 6 is a front elevational view thereof;

FIG. 7 is a top plan view thereof;

FIG. 8 is a side elevational view thereof;

FIG. 9 is a perspective view of a third embodiment of a hook rack;

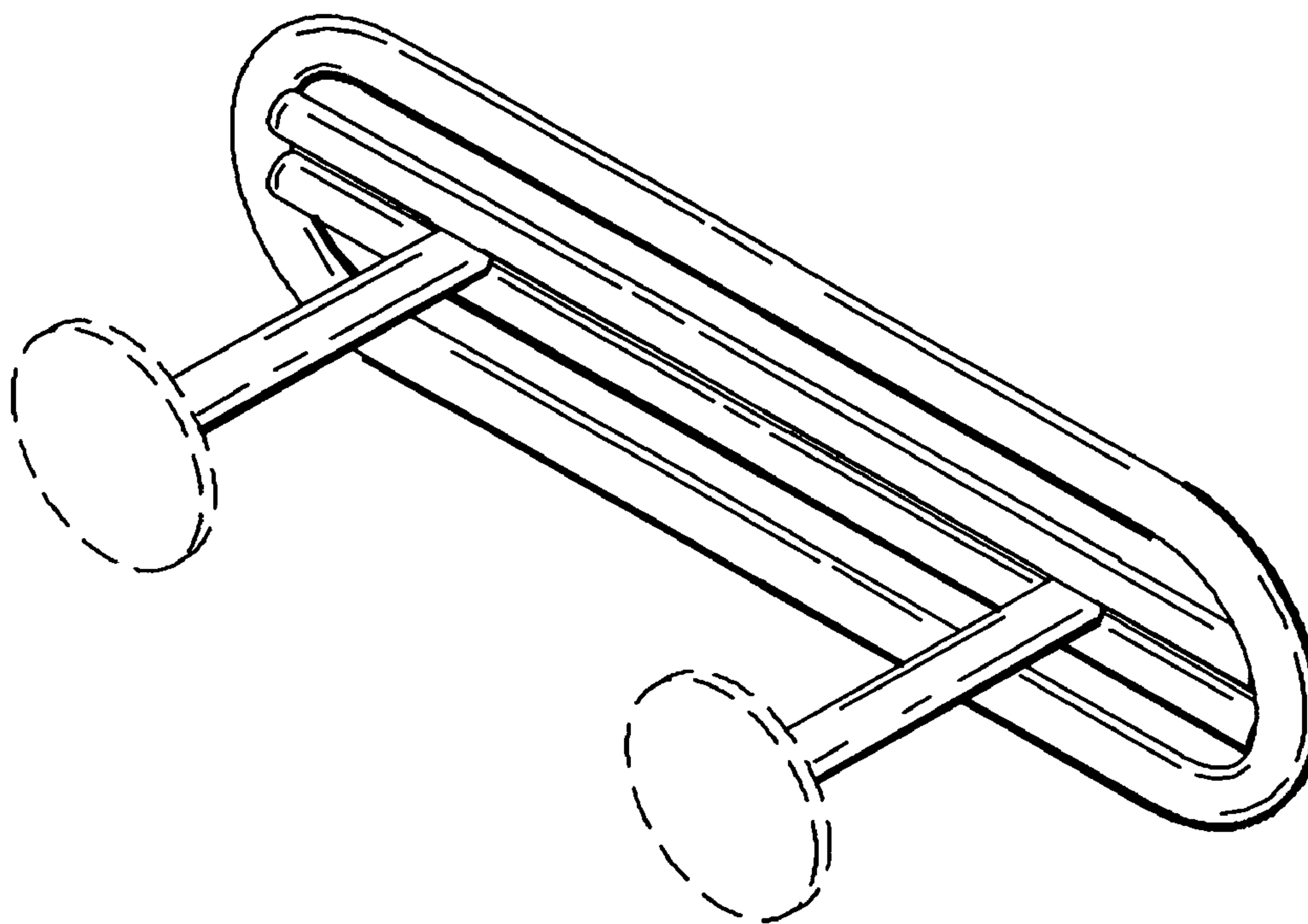
FIG. 10 is a front elevational view thereof;

FIG. 11 is a top plan view thereof; and,

FIG. 12 is a side elevational view thereof.

The broken-line disclosure of elements in the views is for illustrative purposes only and forms no part of the claimed design.

1 Claim, 6 Drawing Sheets



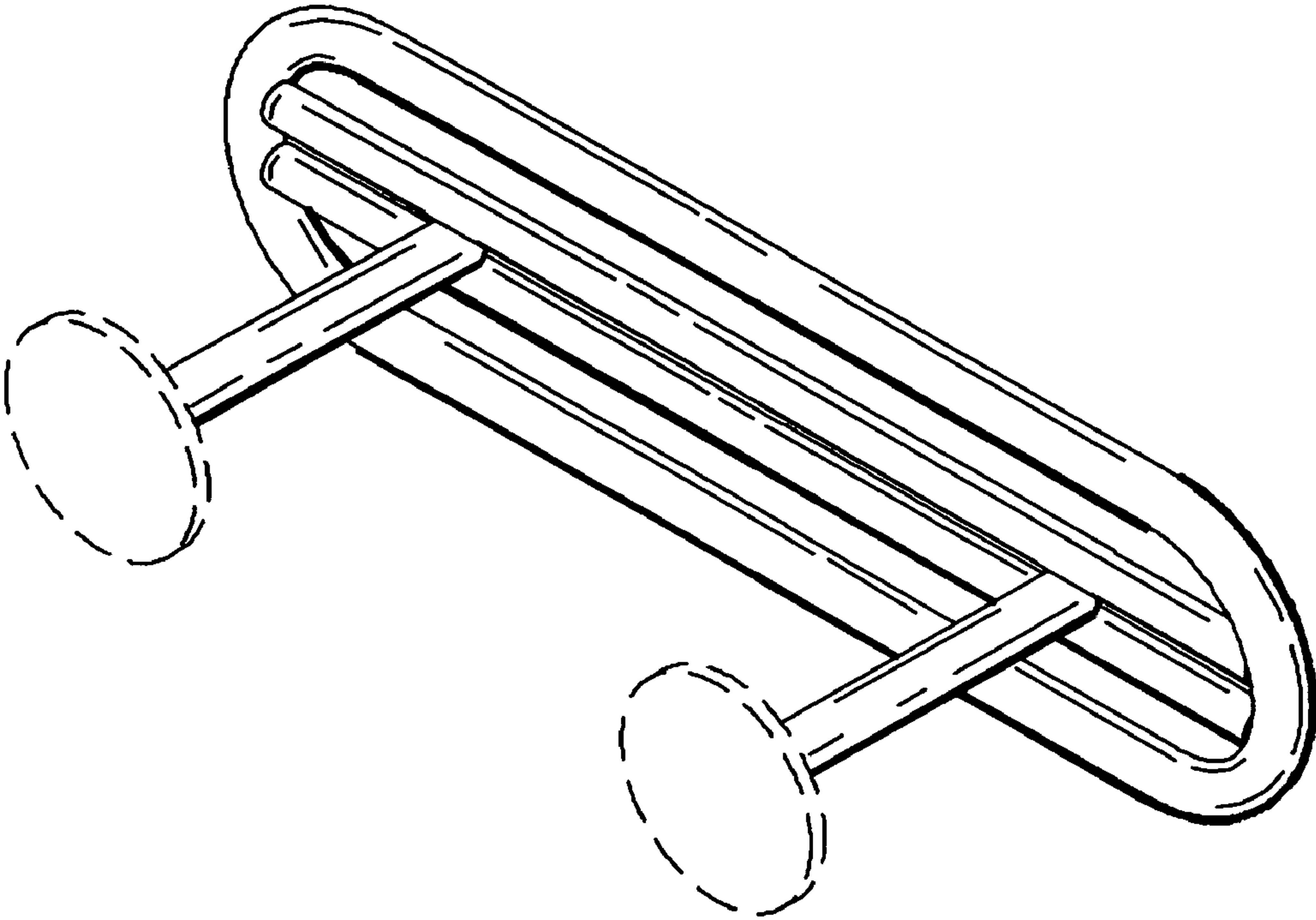


Fig. 1

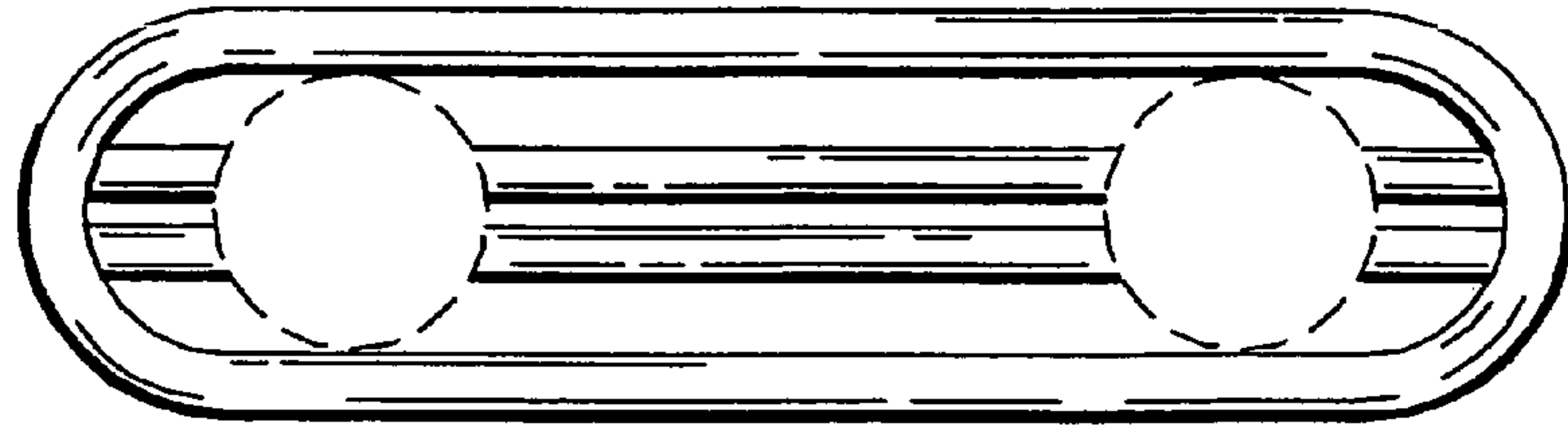


Fig. 2

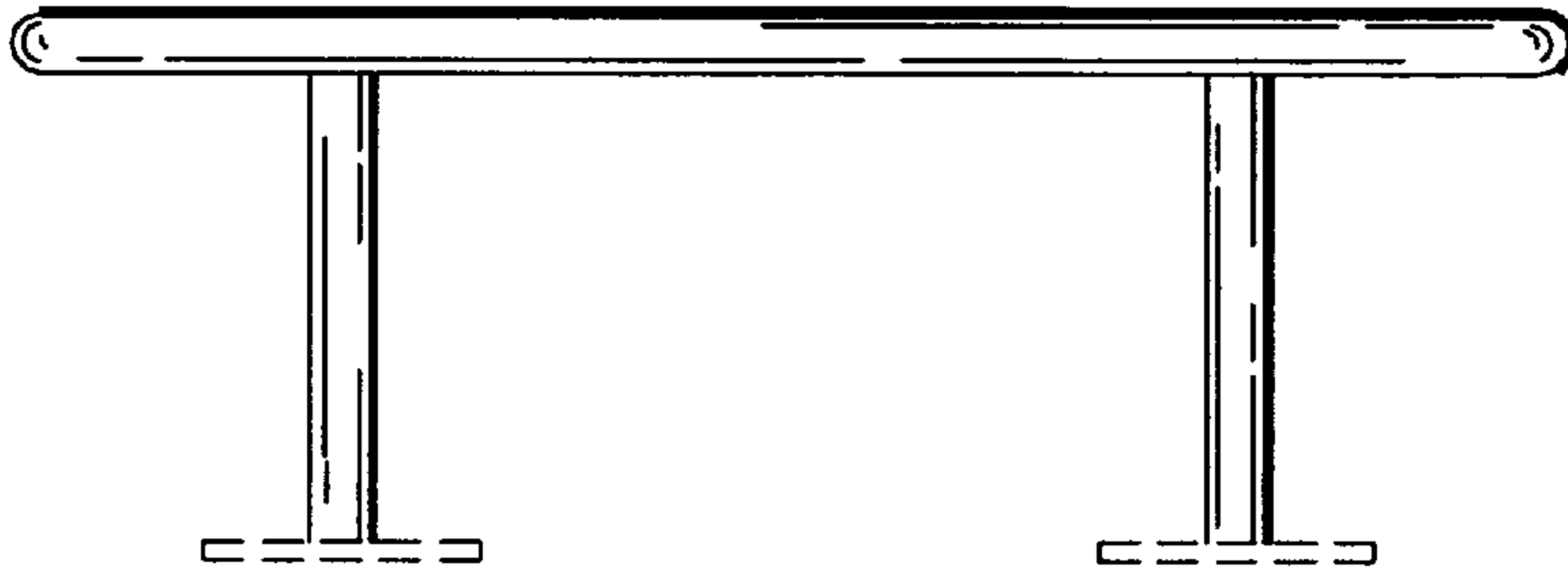


Fig. 3

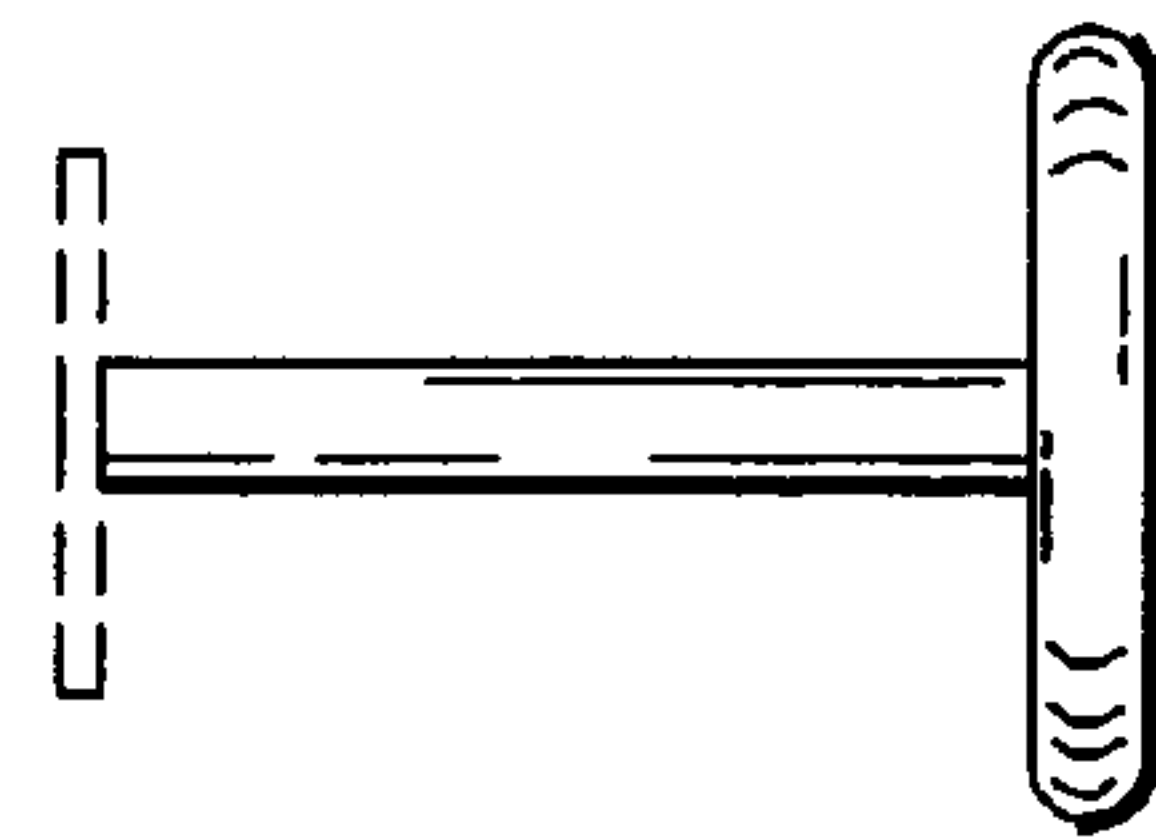


Fig. 4

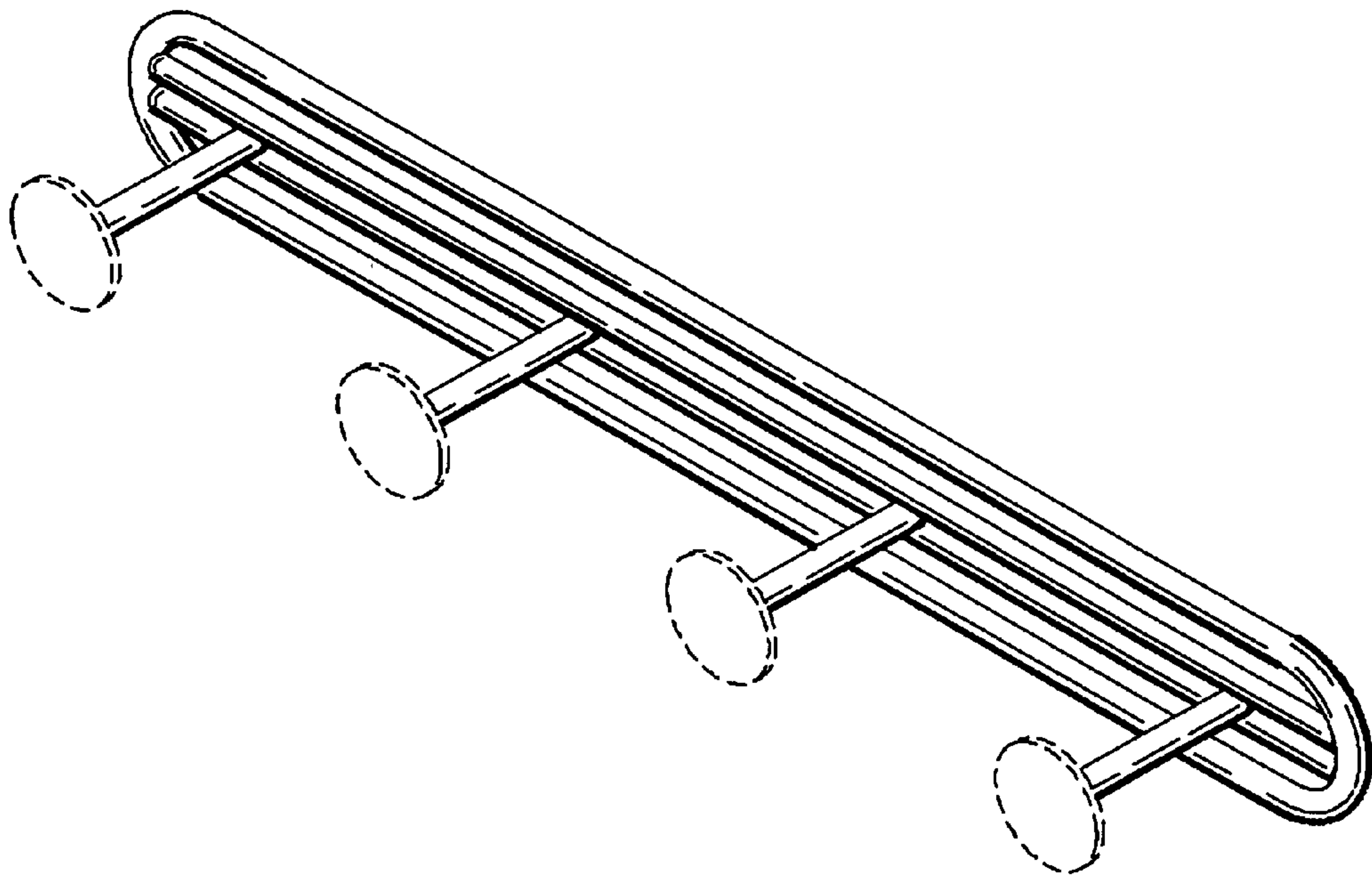


Fig. 5

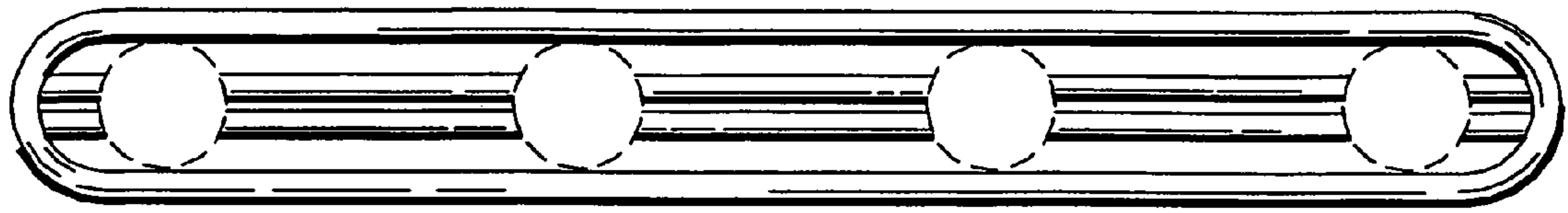


Fig. 6

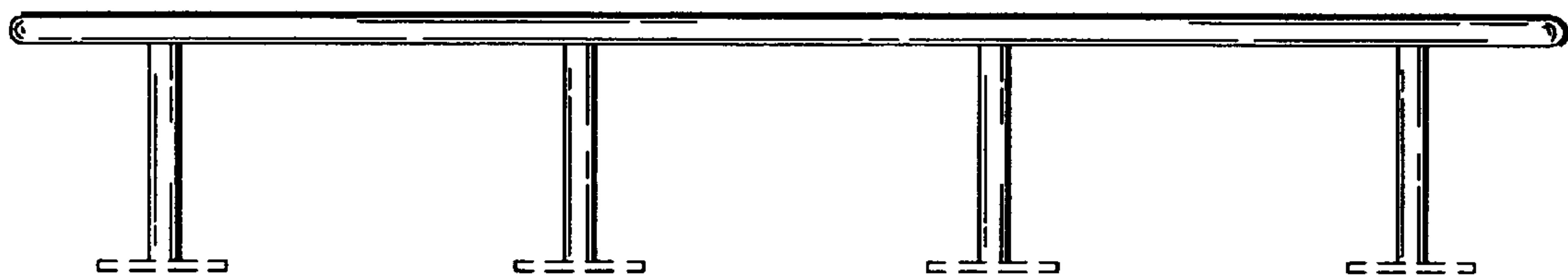


Fig. 7



Fig. 8

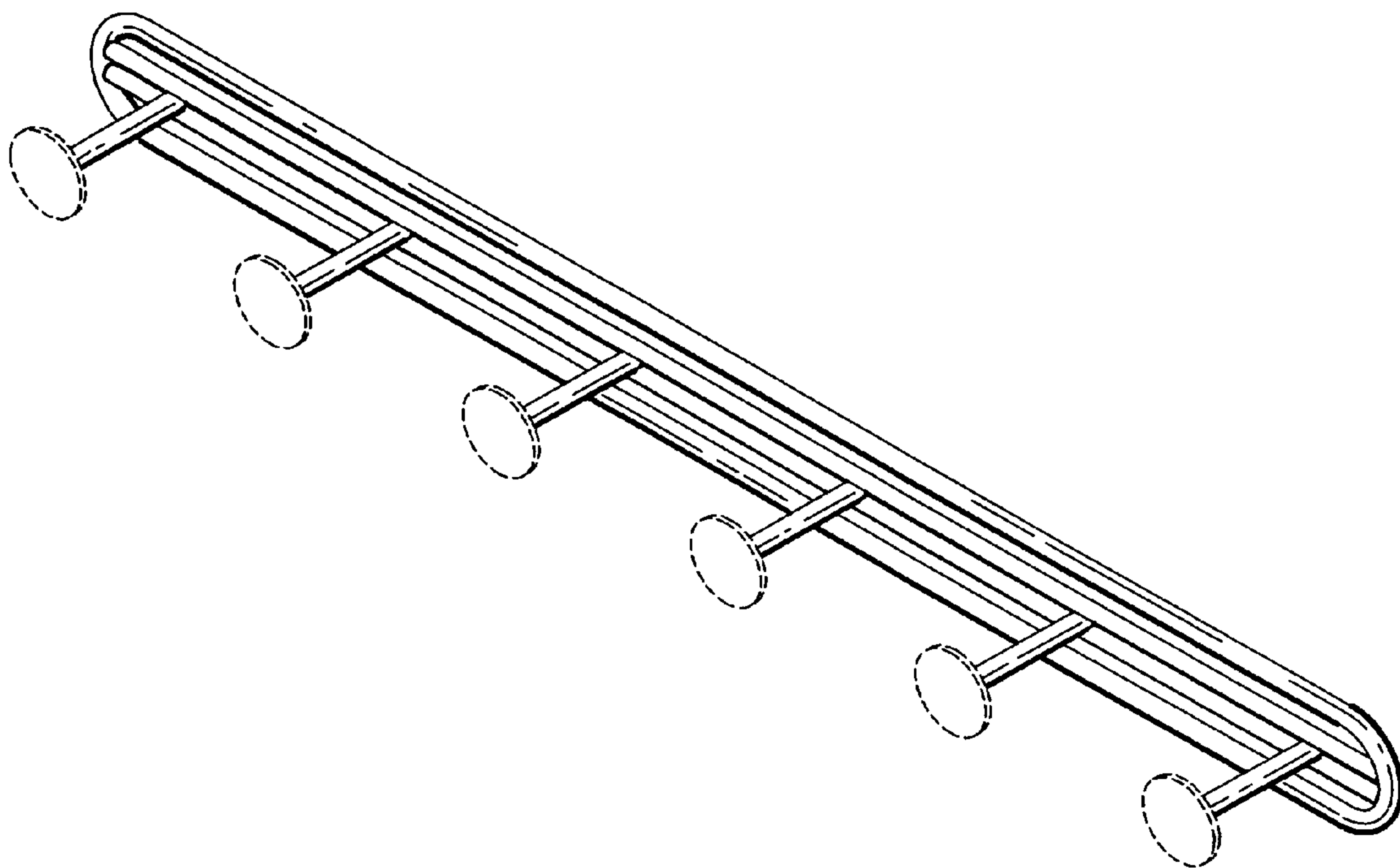


Fig. 9

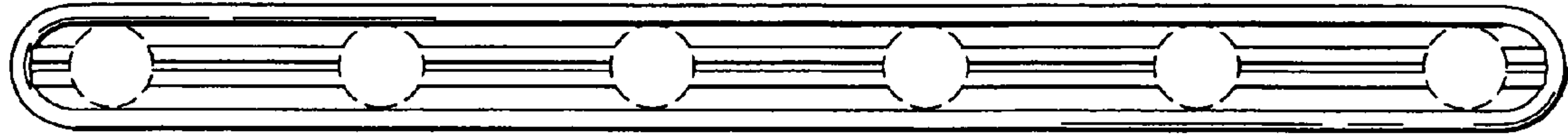


Fig. 10

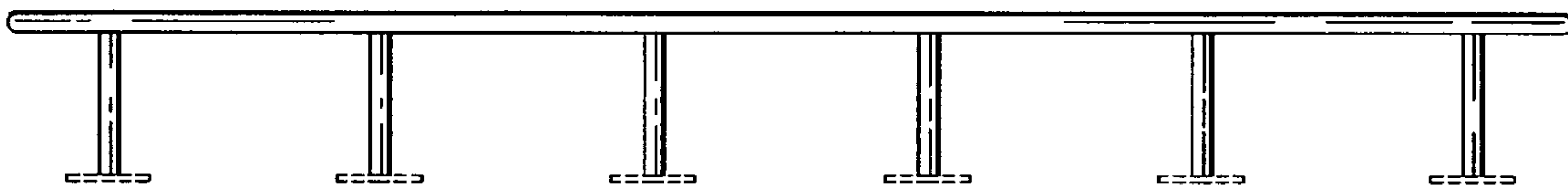


Fig. 11

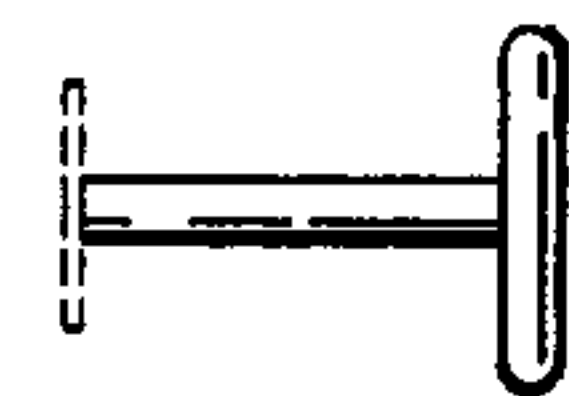


Fig. 12