



US00D558564S

(12) **United States Design Patent**
Ciungan

(10) **Patent No.:** **US D558,564 S**
(45) **Date of Patent:** **** Jan. 1, 2008**

(54) **ARTICULATING MOUNT**

(75) Inventor: **Marcel Ciungan**, Arlington Heights, IL (US)

(73) Assignee: **Peerless Industries, Inc.**, Melrose Park, IL (US)

(**) Term: **14 Years**

(21) Appl. No.: **29/264,518**

(22) Filed: **Aug. 11, 2006**

(51) **LOC (8) Cl.** **08-05**

(52) **U.S. Cl.** **D8/363; D14/452**

(58) **Field of Classification Search** **D8/363;**
D14/451-452, 433, 375; 248/274.1, 284.1,
248/593, 586

See application file for complete search history.

(56) **References Cited**

U.S. PATENT DOCUMENTS

5,751,548 A * 5/1998 Hall et al. 361/686

(Continued)

Primary Examiner—Holly H. Baynham

(74) *Attorney, Agent, or Firm*—Foley & Lardner LLP

(57) **CLAIM**

I claim the ornamental design for an articulating mount, as shown and described.

DESCRIPTION

FIG. 1 is a perspective view showing a first position of the articulating mount showing my new design;

FIG. 2 is a left side view thereof;

FIG. 3 is a right side view thereof;

FIG. 4 is a front view thereof;

FIG. 5 is a rear view thereof;

FIG. 6 is a top plan view thereof; and

FIG. 7 is a bottom view thereof.

FIG. 8 is a perspective view showing a second position of the articulating mount of FIG. 1;

FIG. 9 is a left side view of the articulating mount in FIG. 8;

FIG. 10 is a right side view of the articulating mount in FIG. 8;

FIG. 11 is a front view of the articulating mount in FIG. 8;

FIG. 12 is a rear view of the articulating mount in FIG. 8;

FIG. 13 is a top plan view of the articulating mount in FIG. 8; and

FIG. 14 is a bottom view of the articulating mount in FIG. 8.

FIG. 15 is a perspective view showing a first position of another embodiment of the articulating mount showing my new design;

FIG. 16 is a left side view of the articulating mount in FIG. 15;

FIG. 17 is a right side view of the articulating mount in FIG. 15;

FIG. 18 is a front view of the articulating mount in FIG. 15;

FIG. 19 is a rear view of the articulating mount in FIG. 15;

FIG. 20 is a top plan view of the articulating mount in FIG. 15; and

FIG. 21 is a bottom view of the articulating mount in FIG. 15.

FIG. 22 is a perspective view showing a second position of the articulating mount of FIG. 15;

FIG. 23 is a left side view of the articulating mount in FIG. 22;

FIG. 24 is a right side view of the articulating mount in FIG. 22;

FIG. 25 is a front view of the articulating mount in FIG. 22;

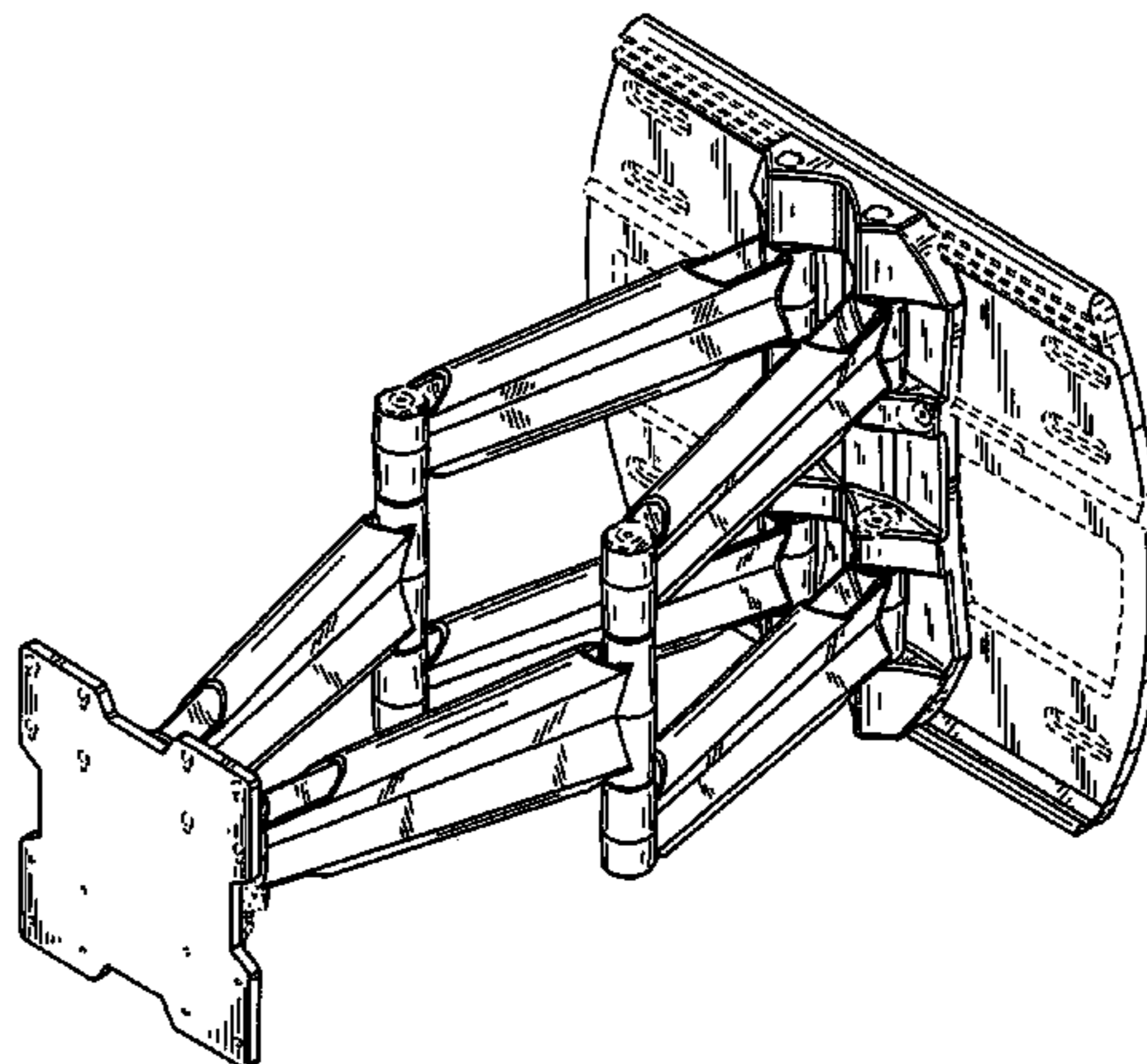
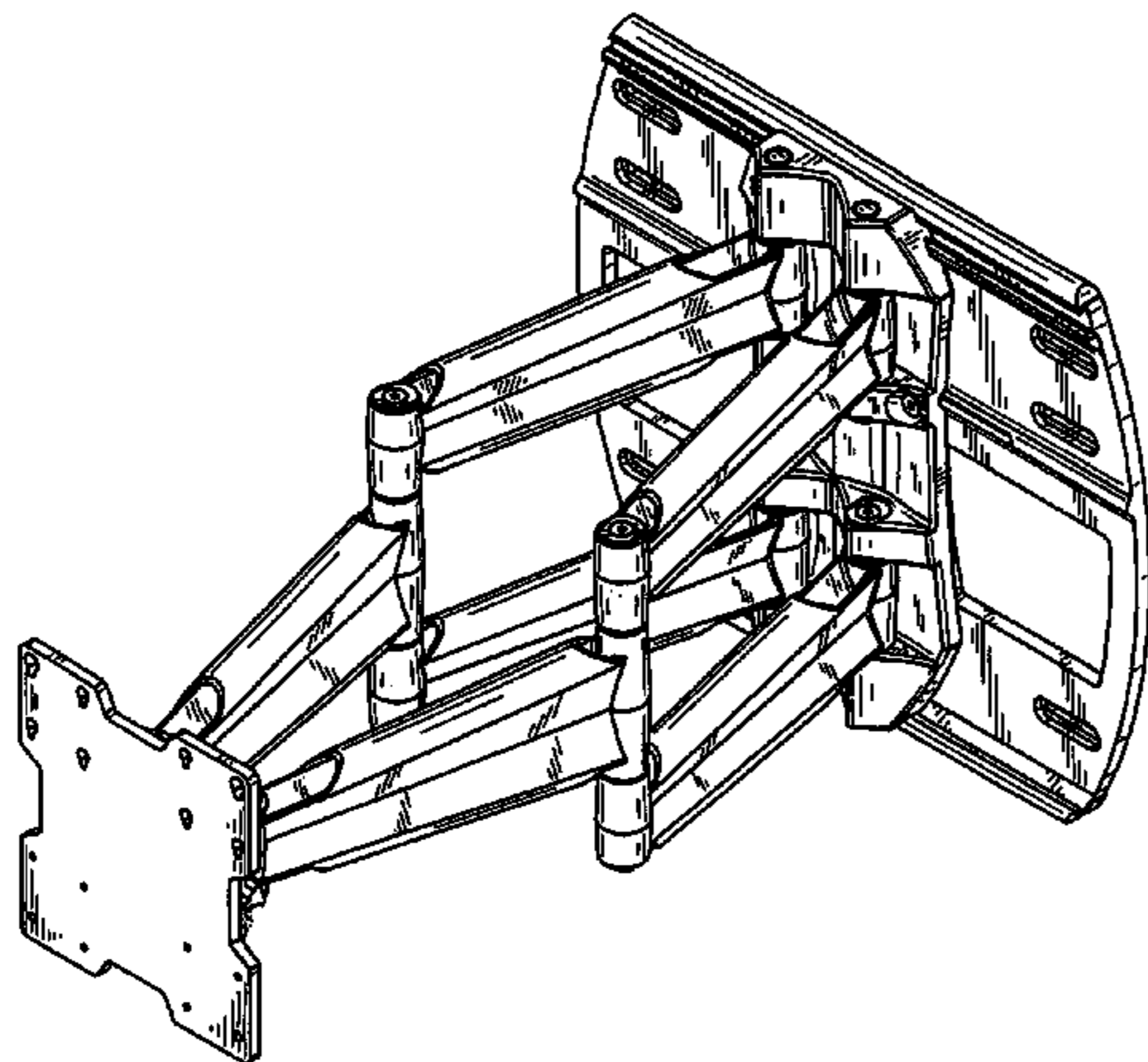
FIG. 26 is a rear view of the articulating mount in FIG. 22;

FIG. 27 is a top plan view of the articulating mount in FIG. 22; and,

FIG. 28 is a bottom view of the articulating mount in FIG. 22.

The broken lines shown are for illustrative purposes only and form no part of the claimed design.

1 Claim, 24 Drawing Sheets



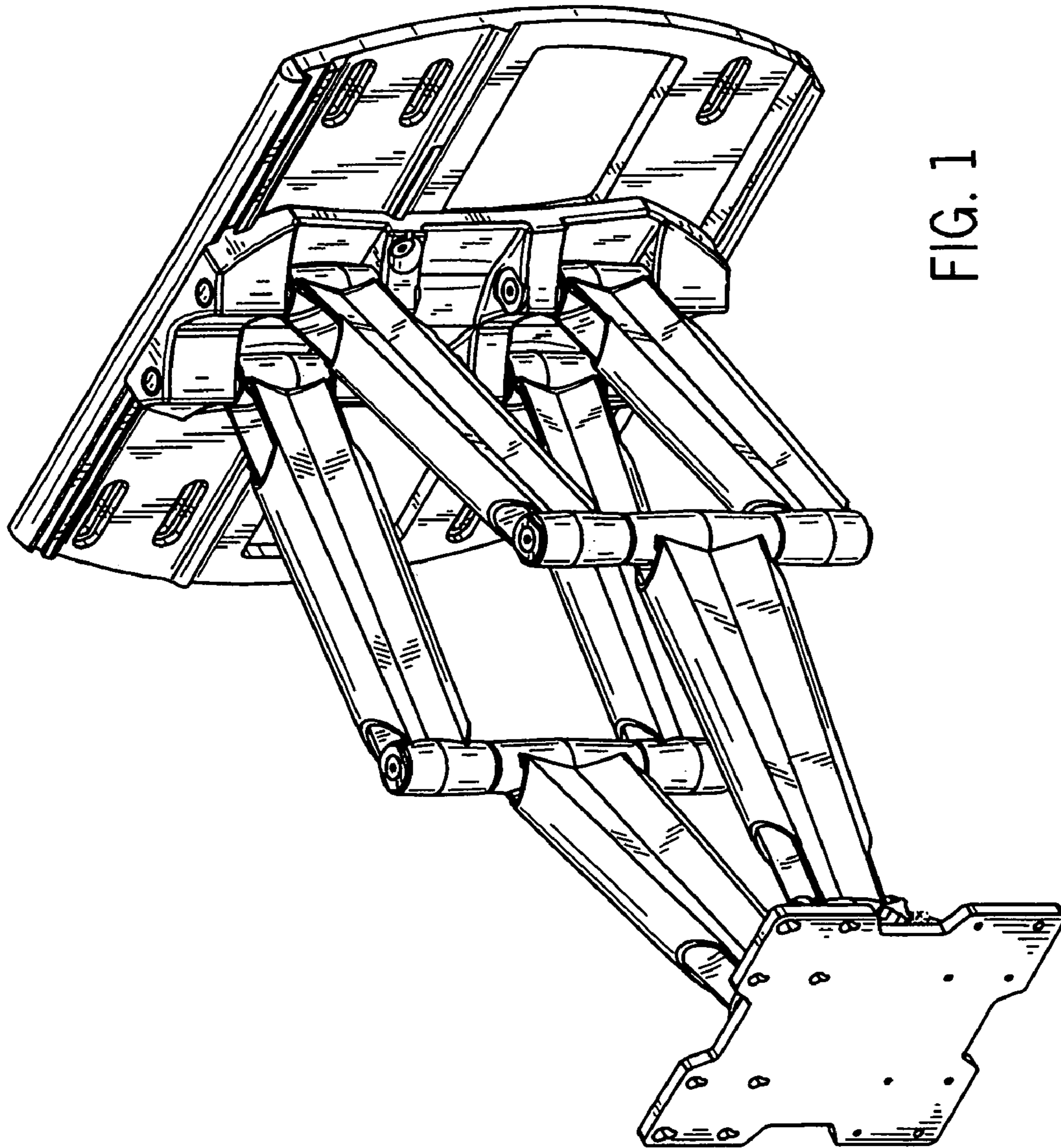


FIG. 1

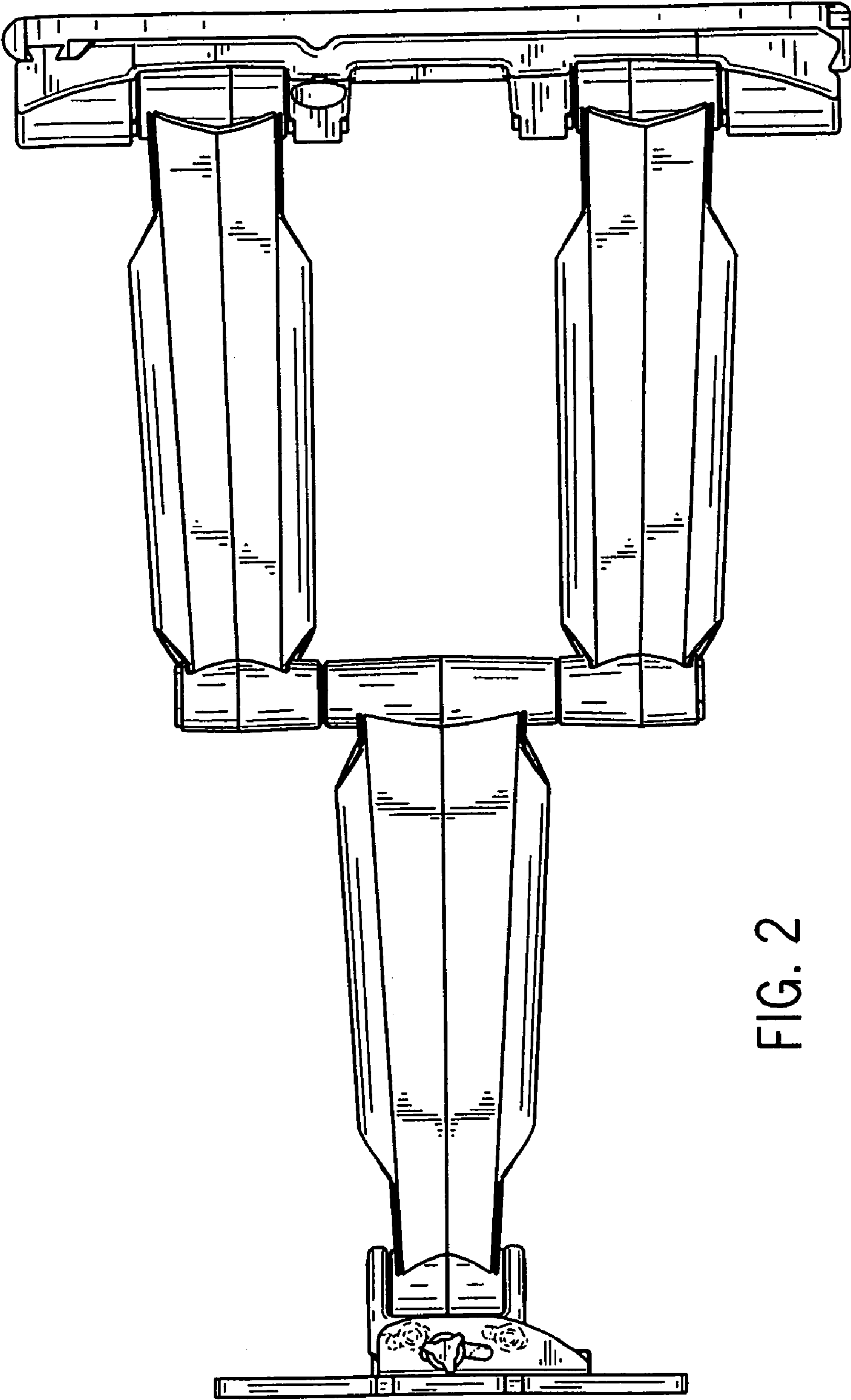


FIG. 2

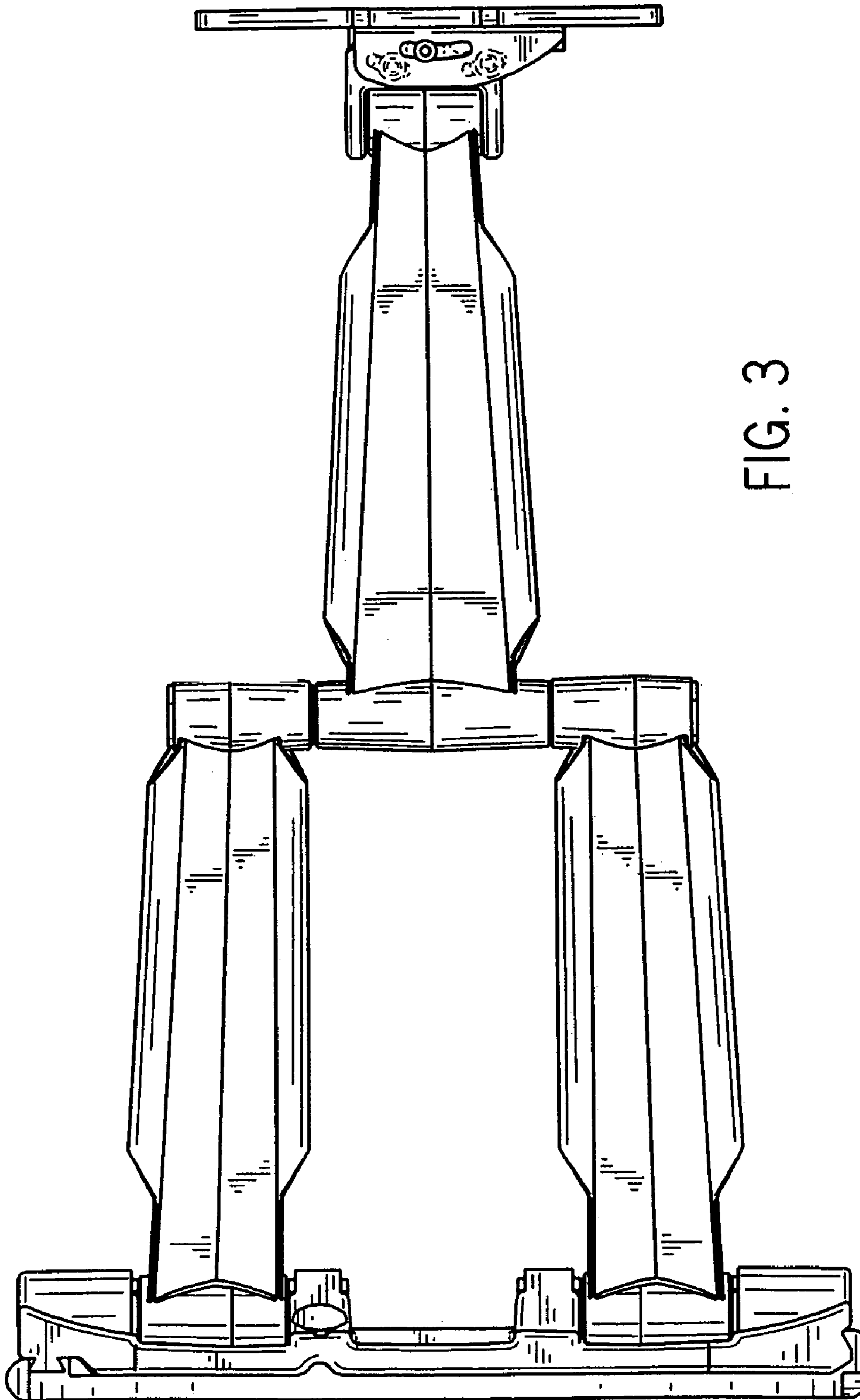


FIG. 3

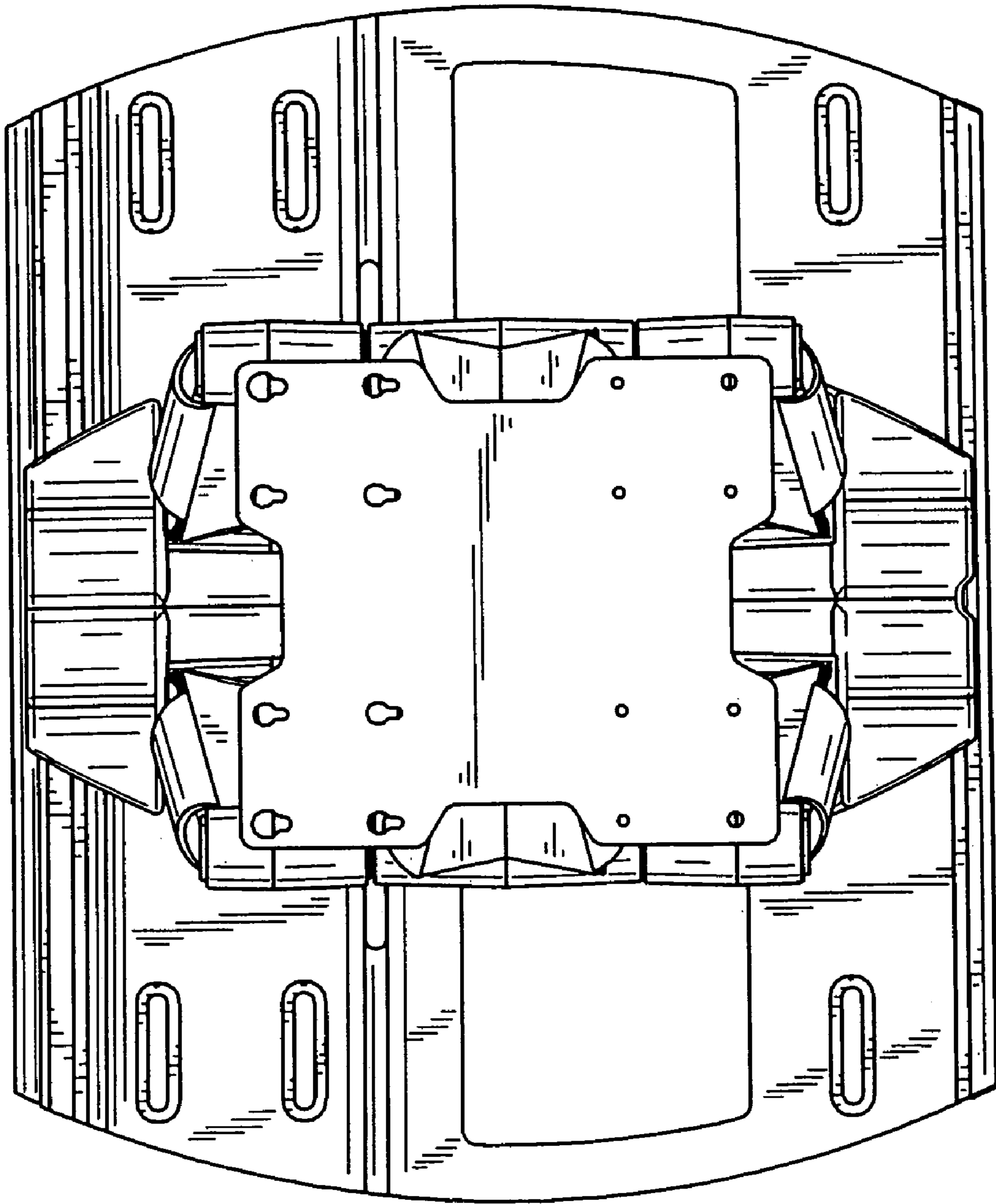


FIG. 4

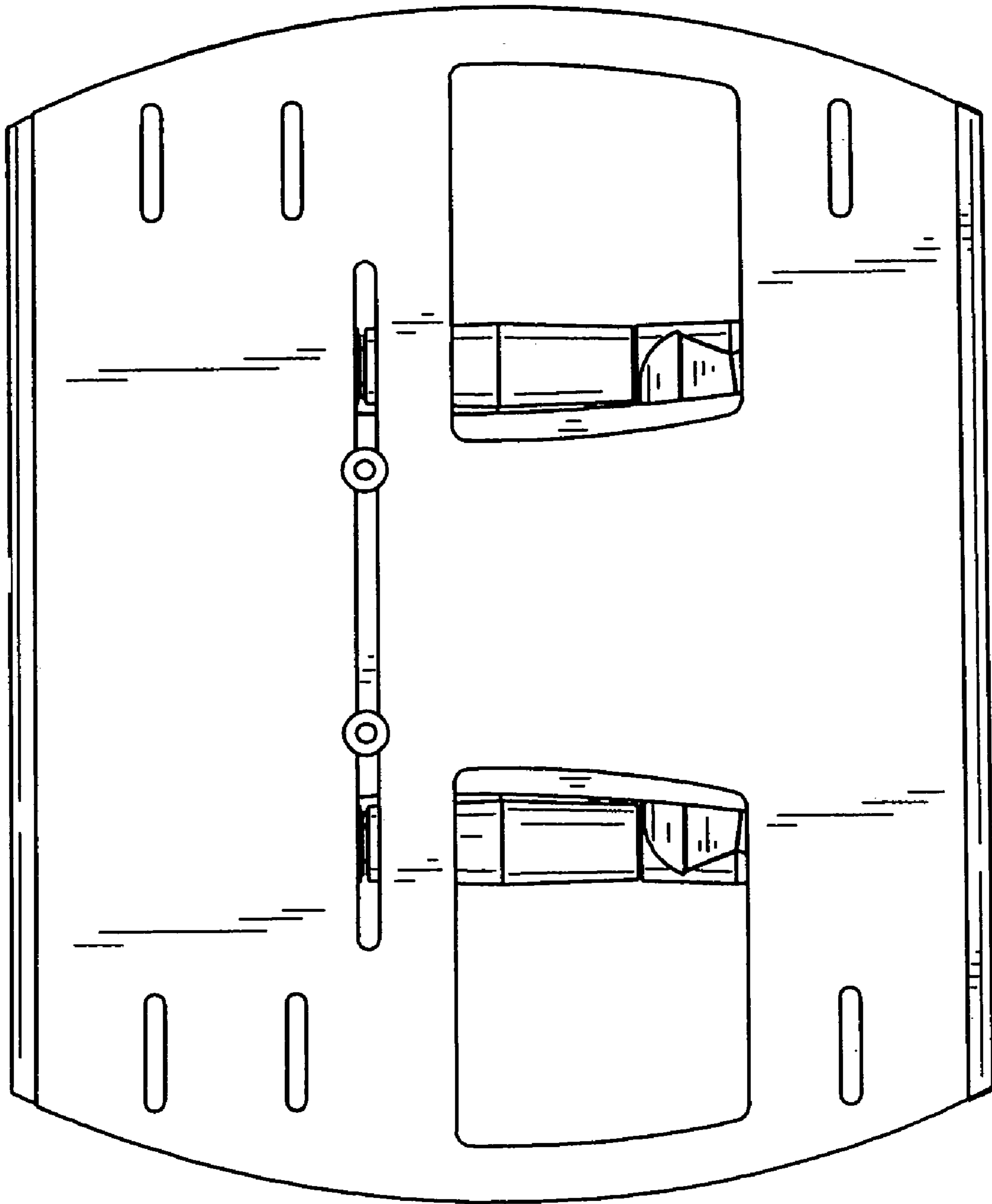


FIG. 5

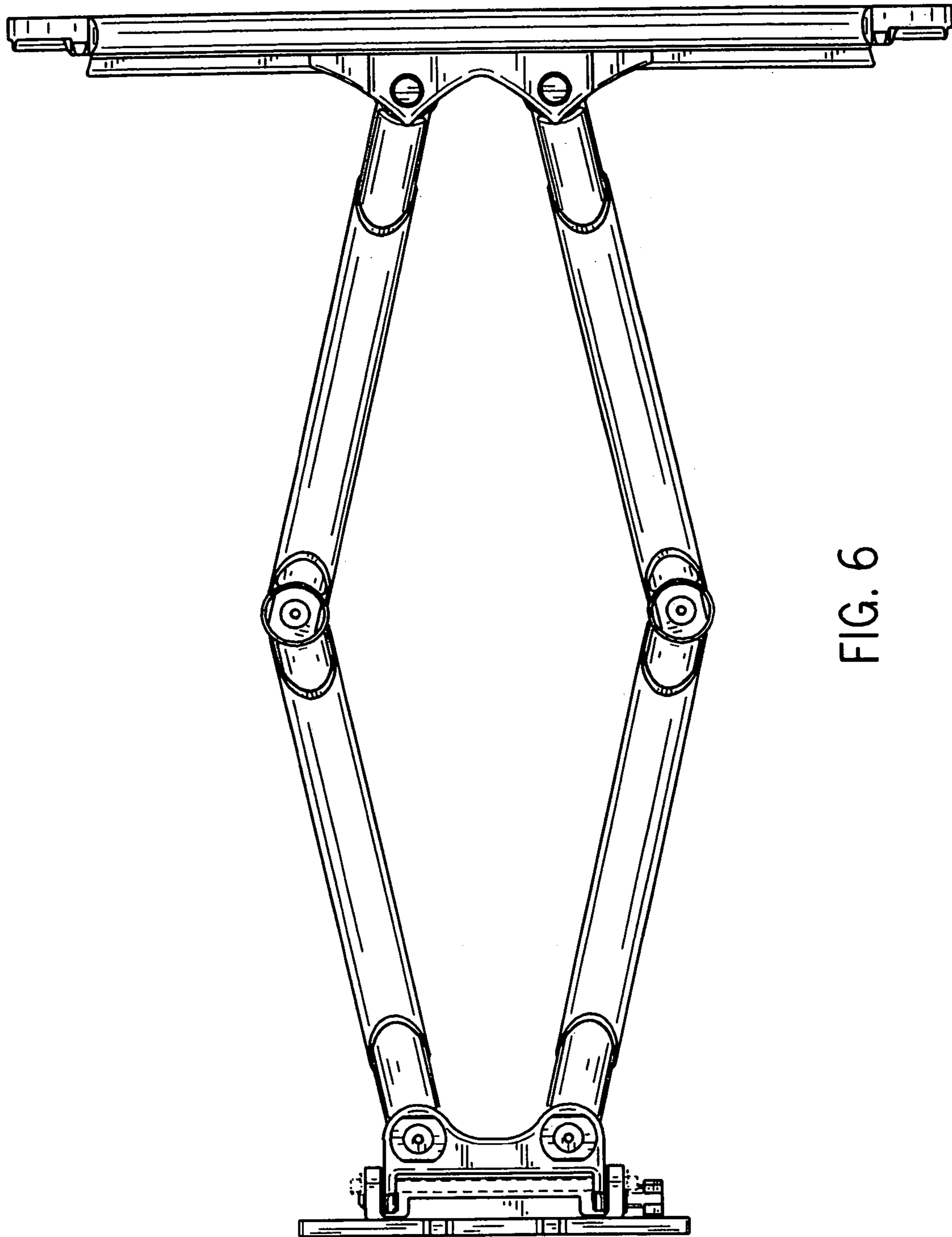


FIG. 6

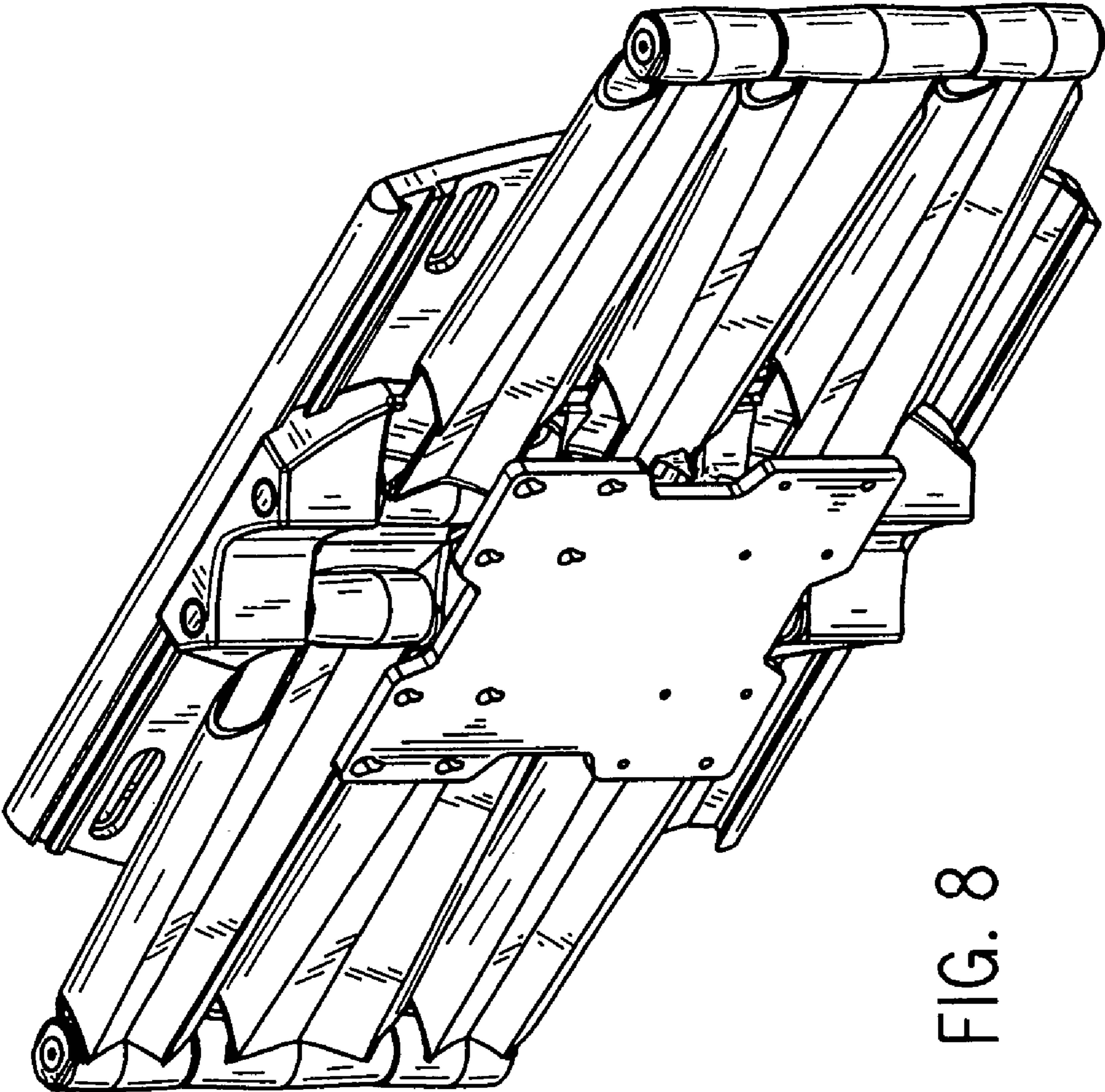


FIG. 8

FIG. 10

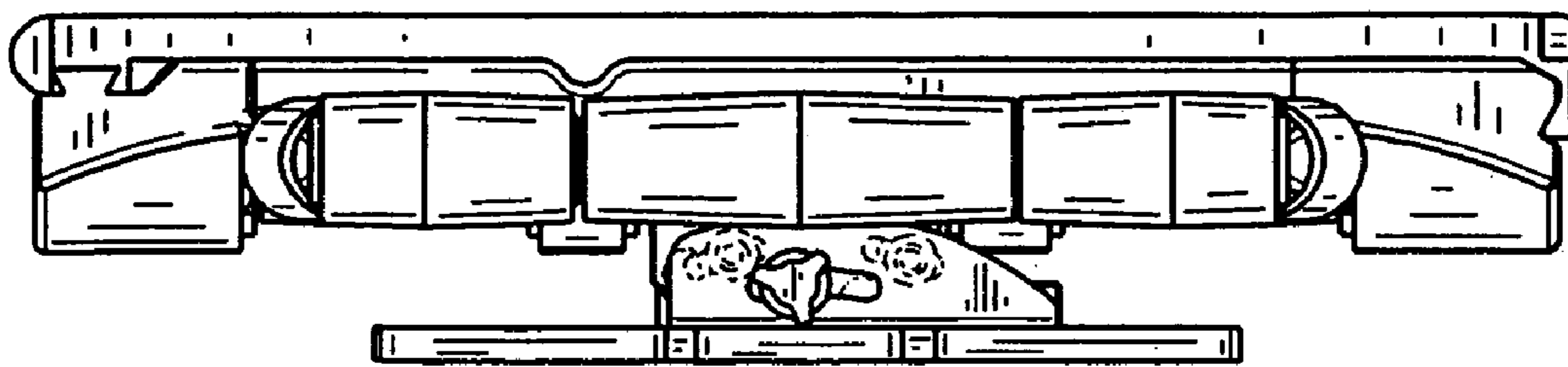
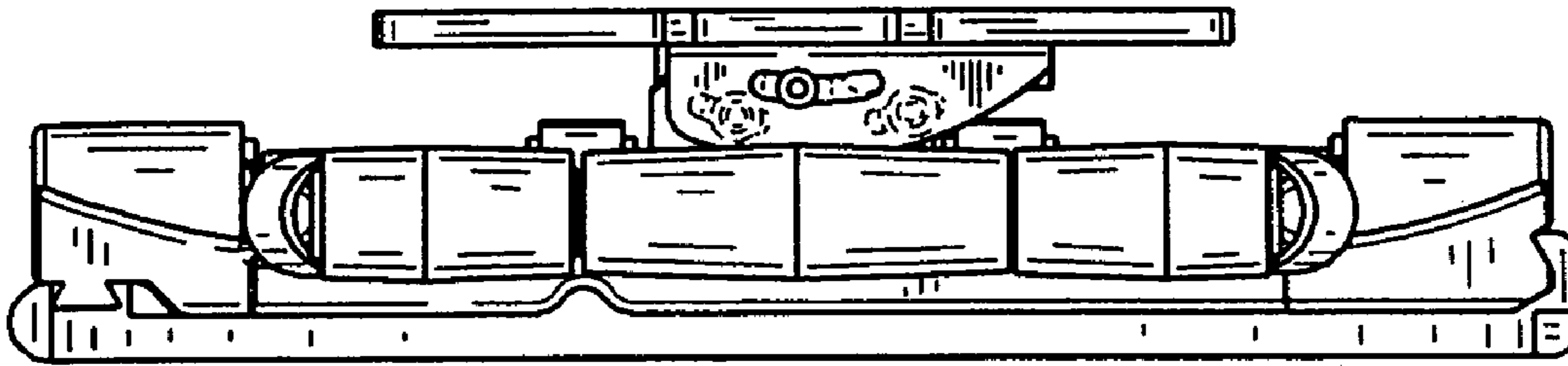


FIG. 9

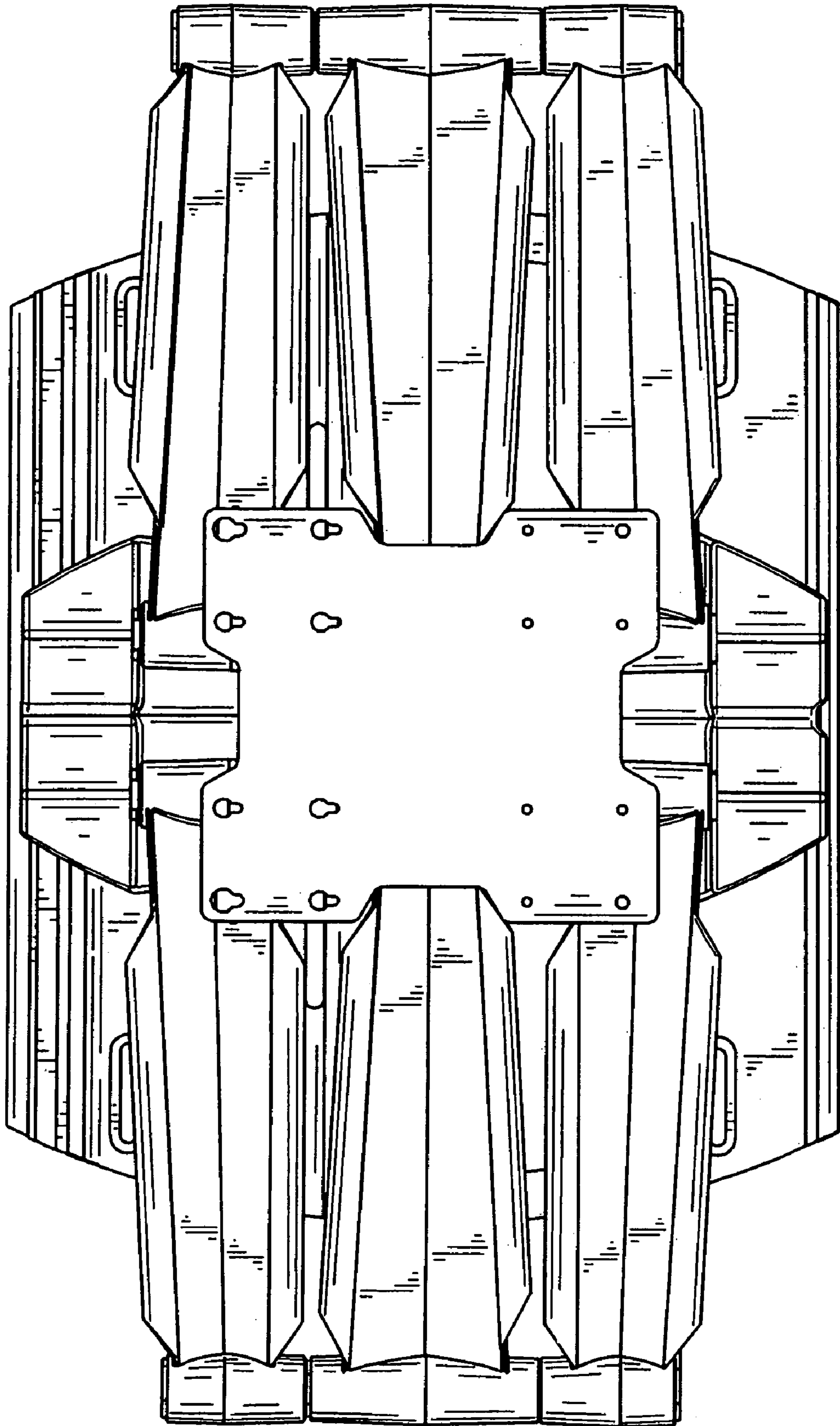


FIG. 11

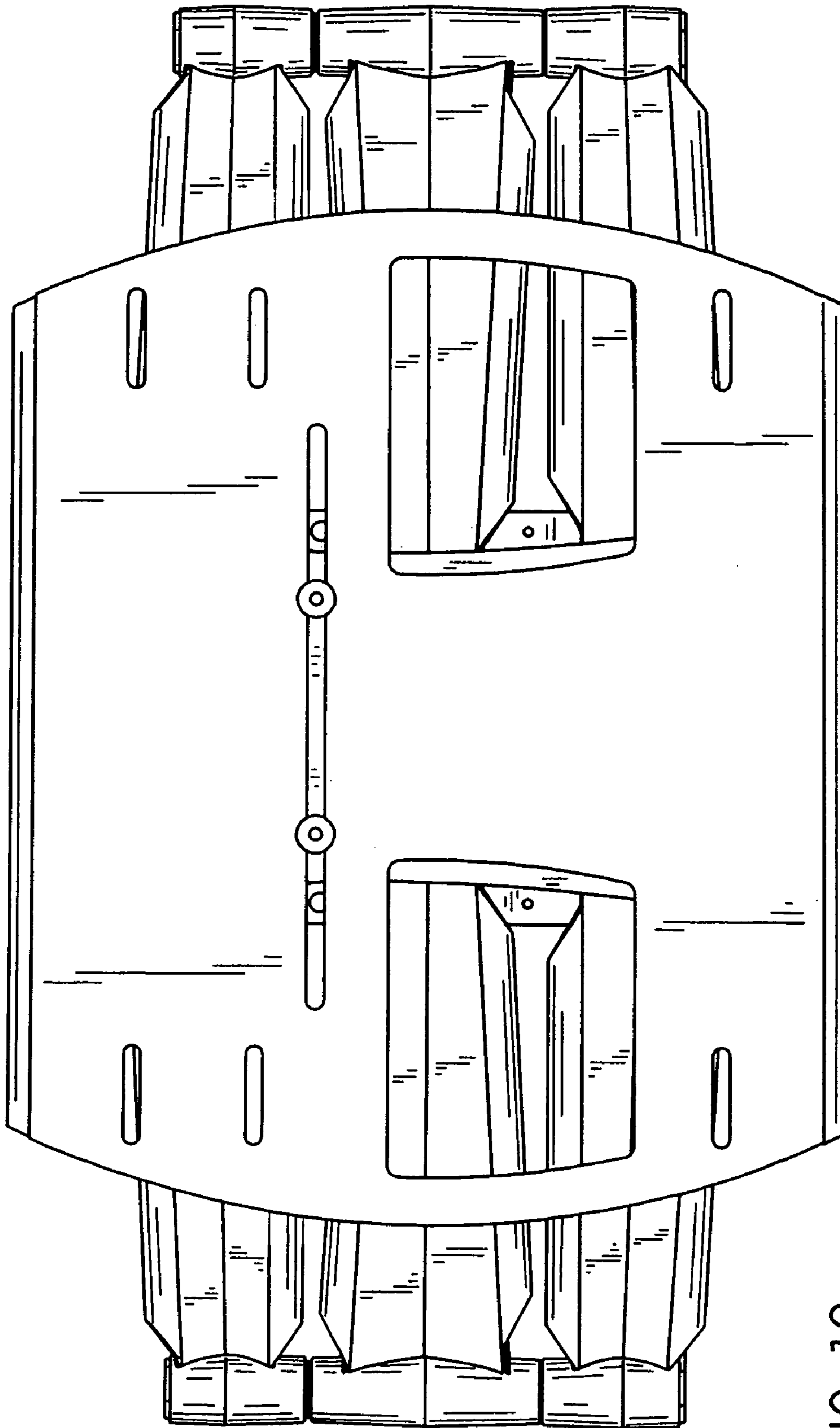


FIG. 12

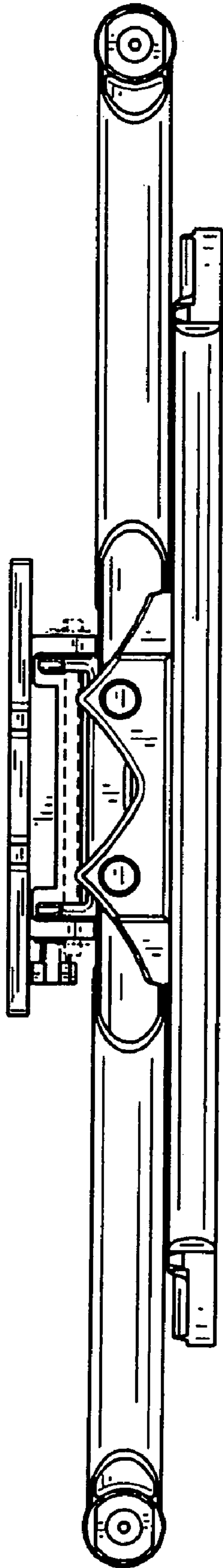
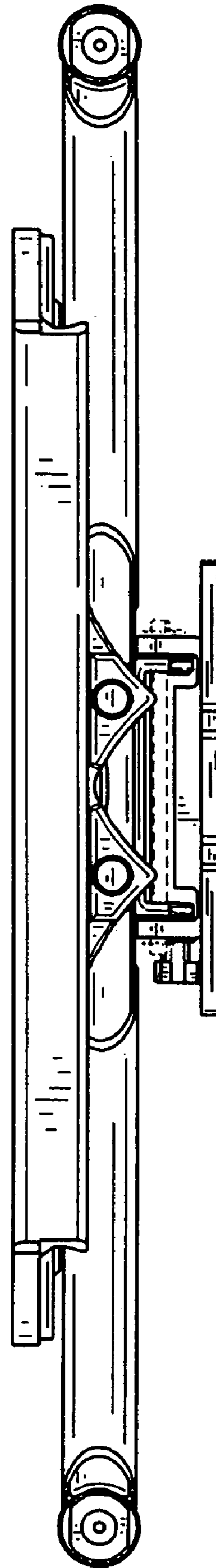


FIG. 13

FIG. 14



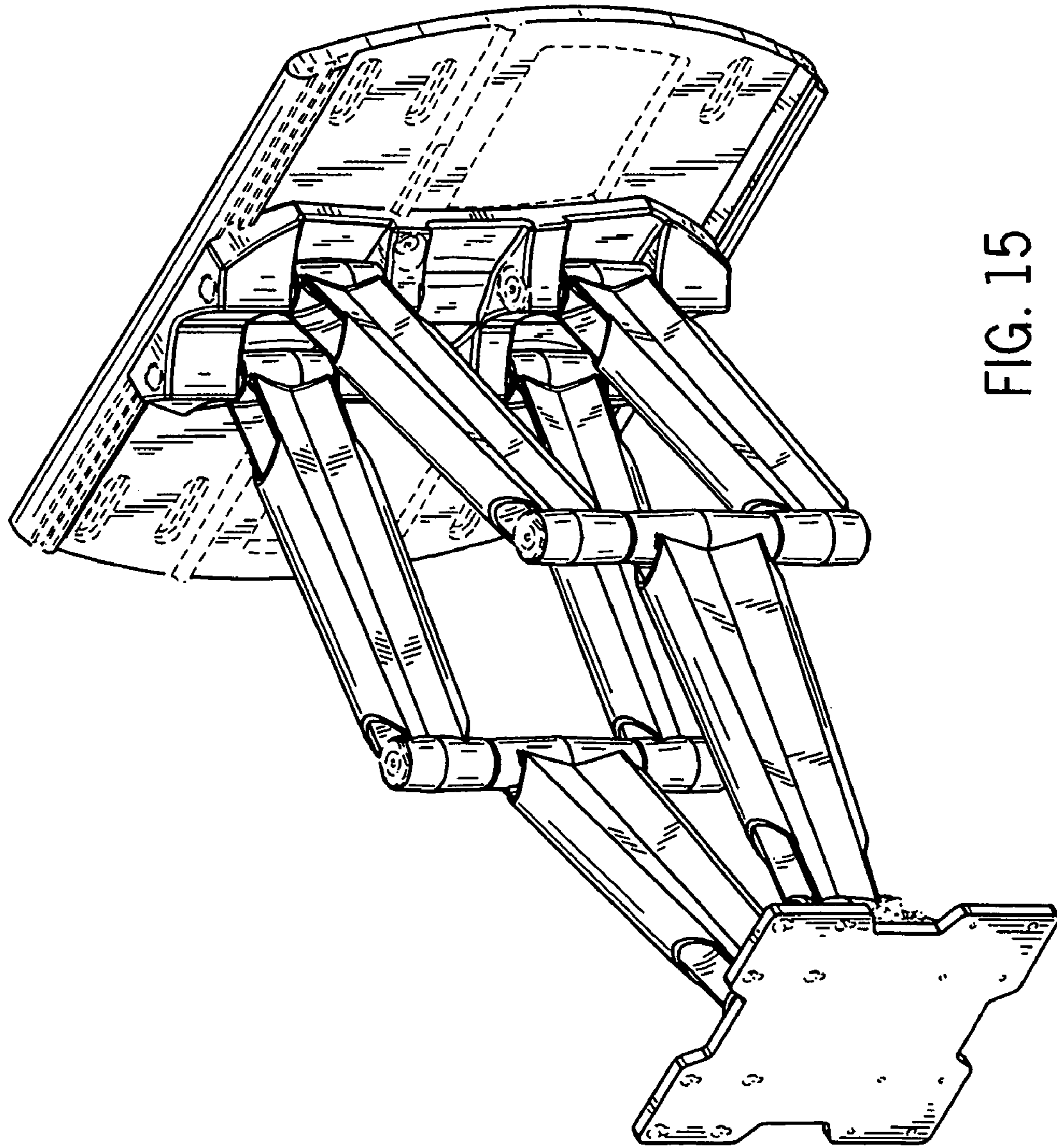


FIG. 15

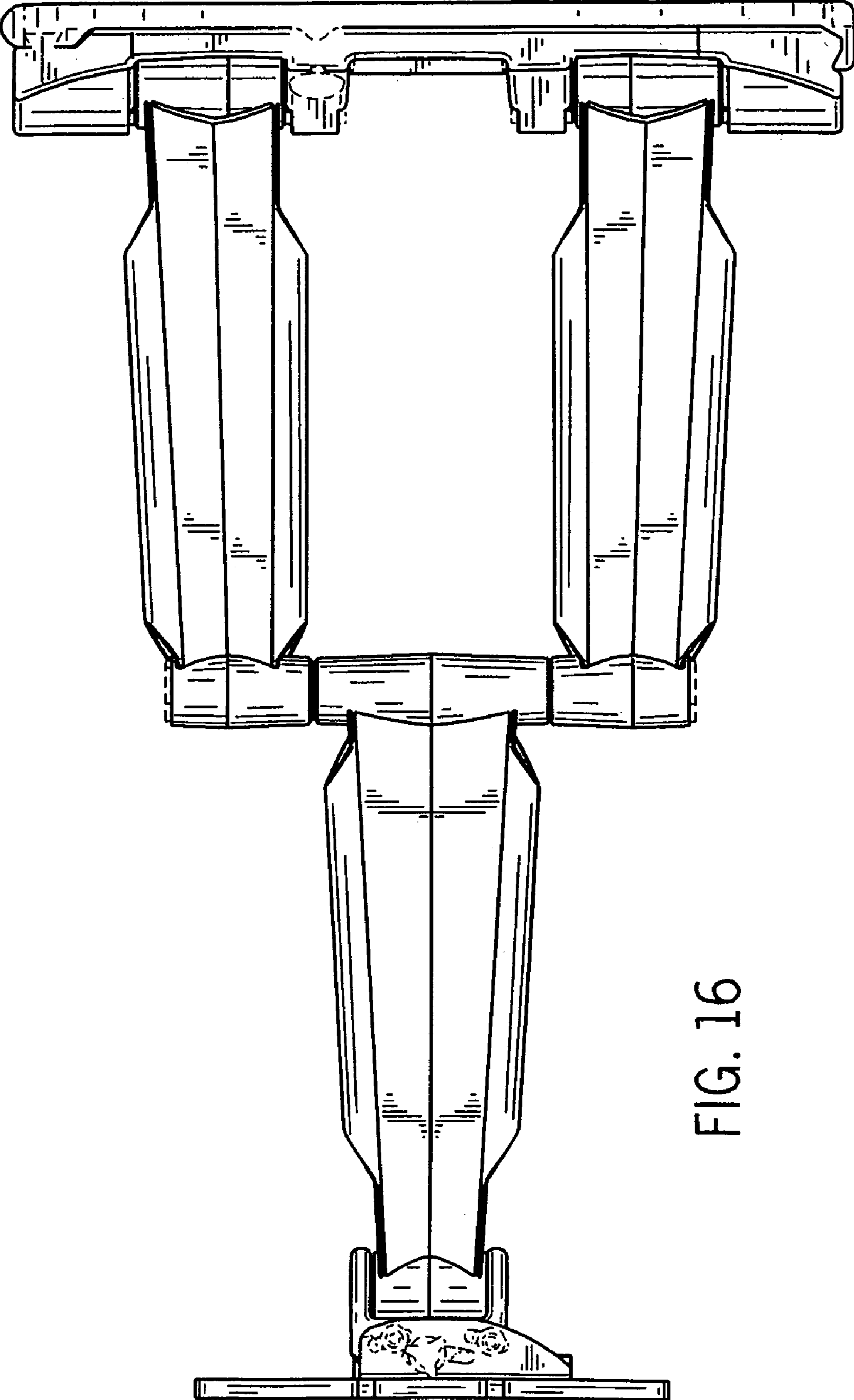


FIG. 16

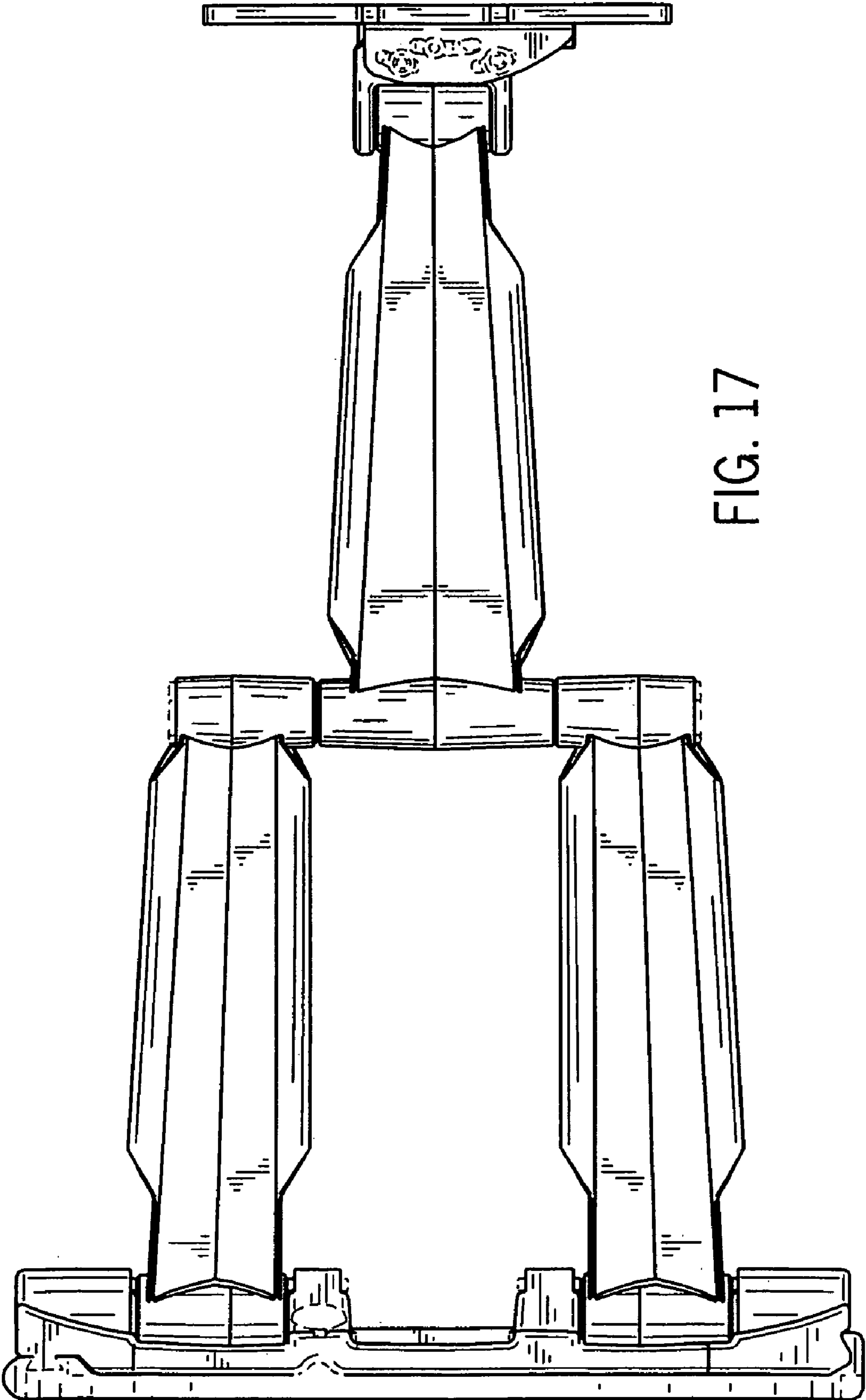


FIG. 17

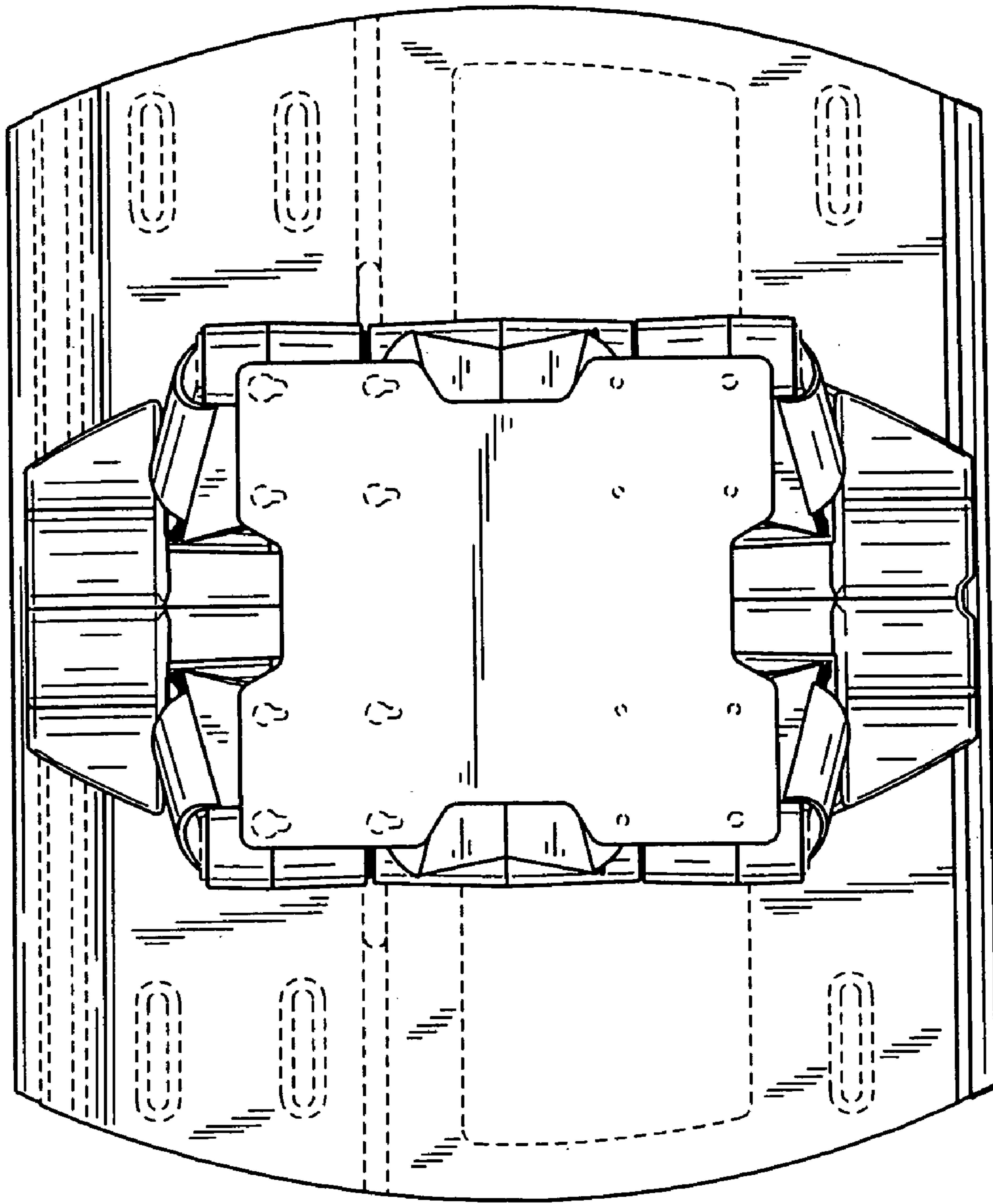


FIG. 18

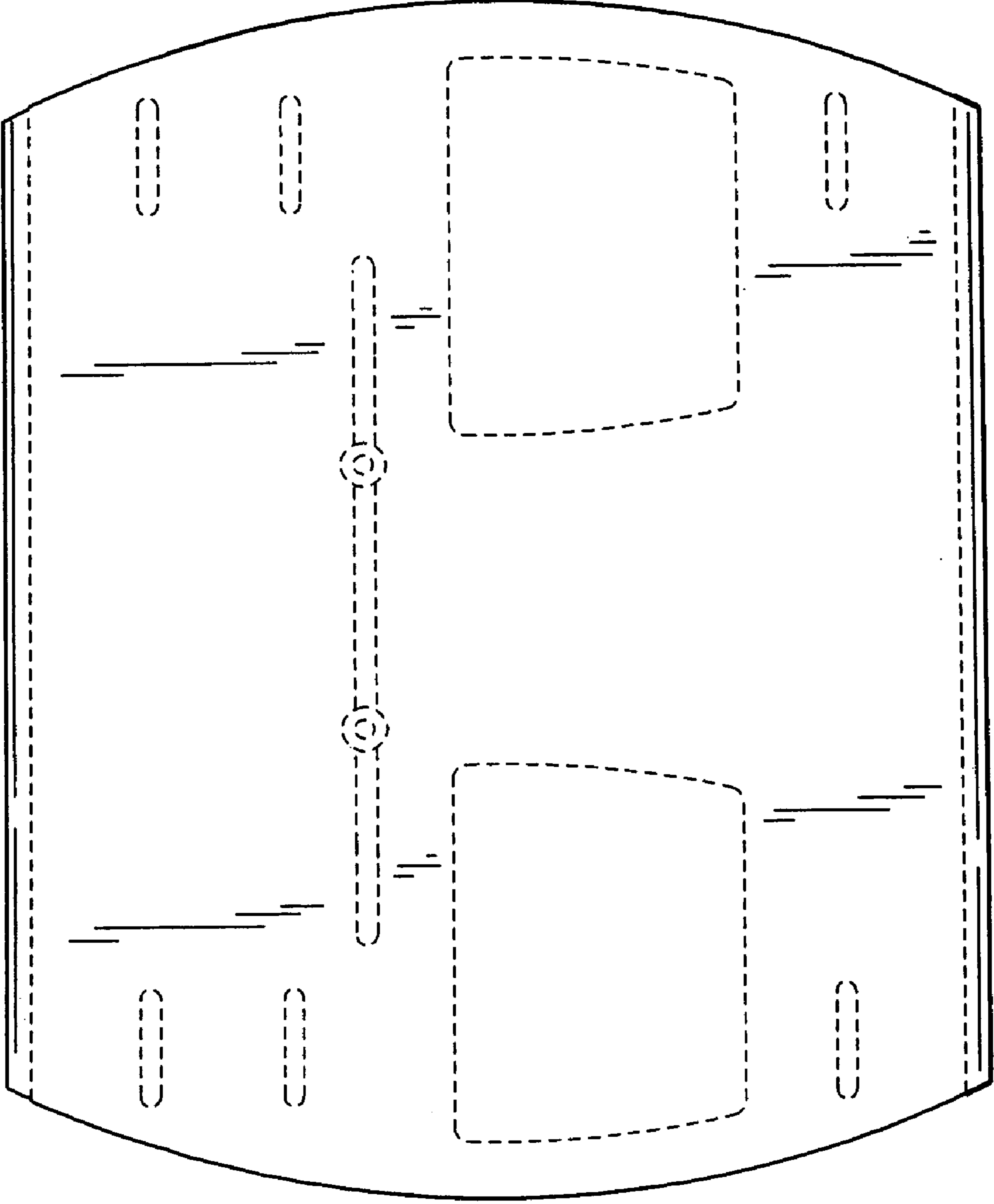


FIG. 19

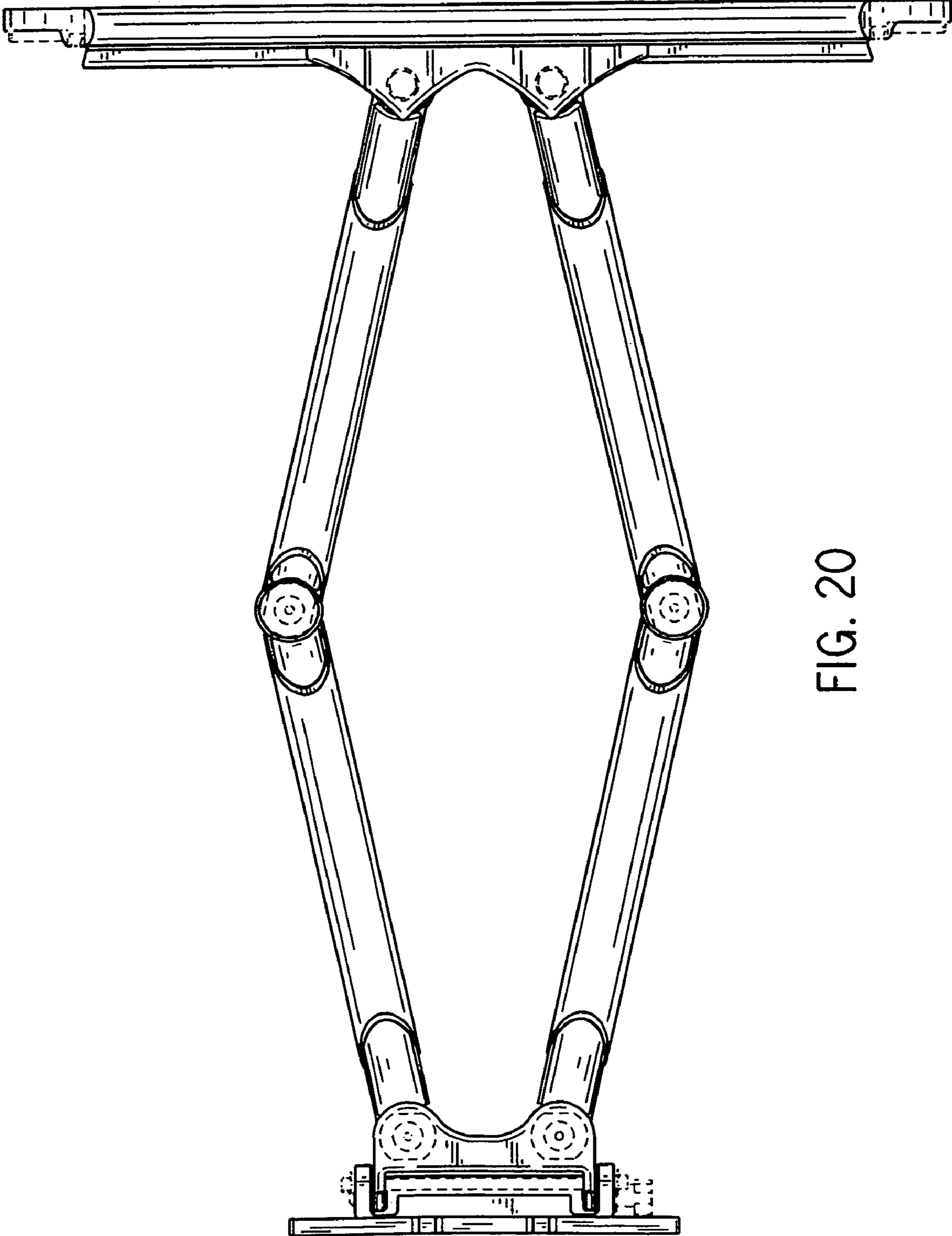


FIG. 20

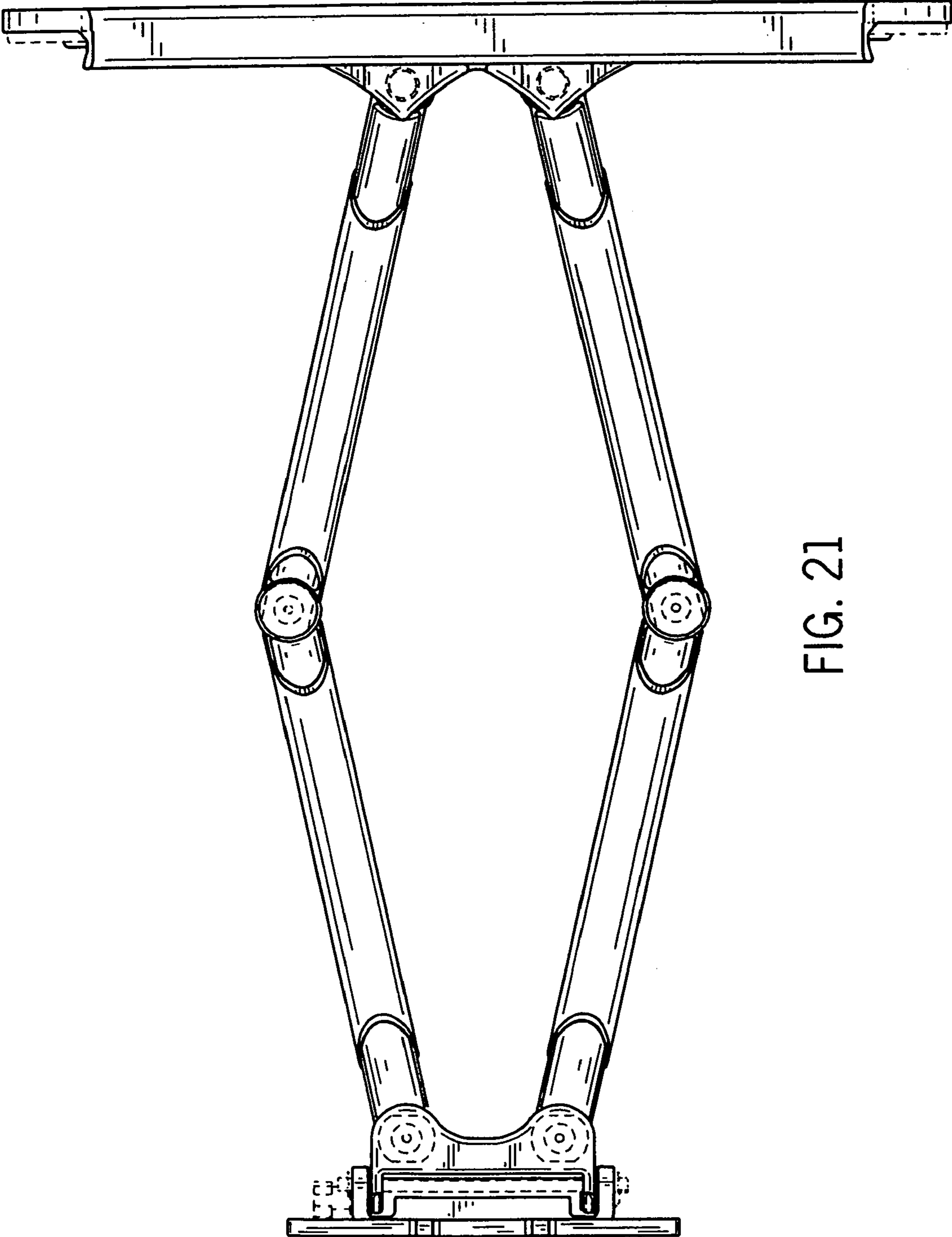


FIG. 21

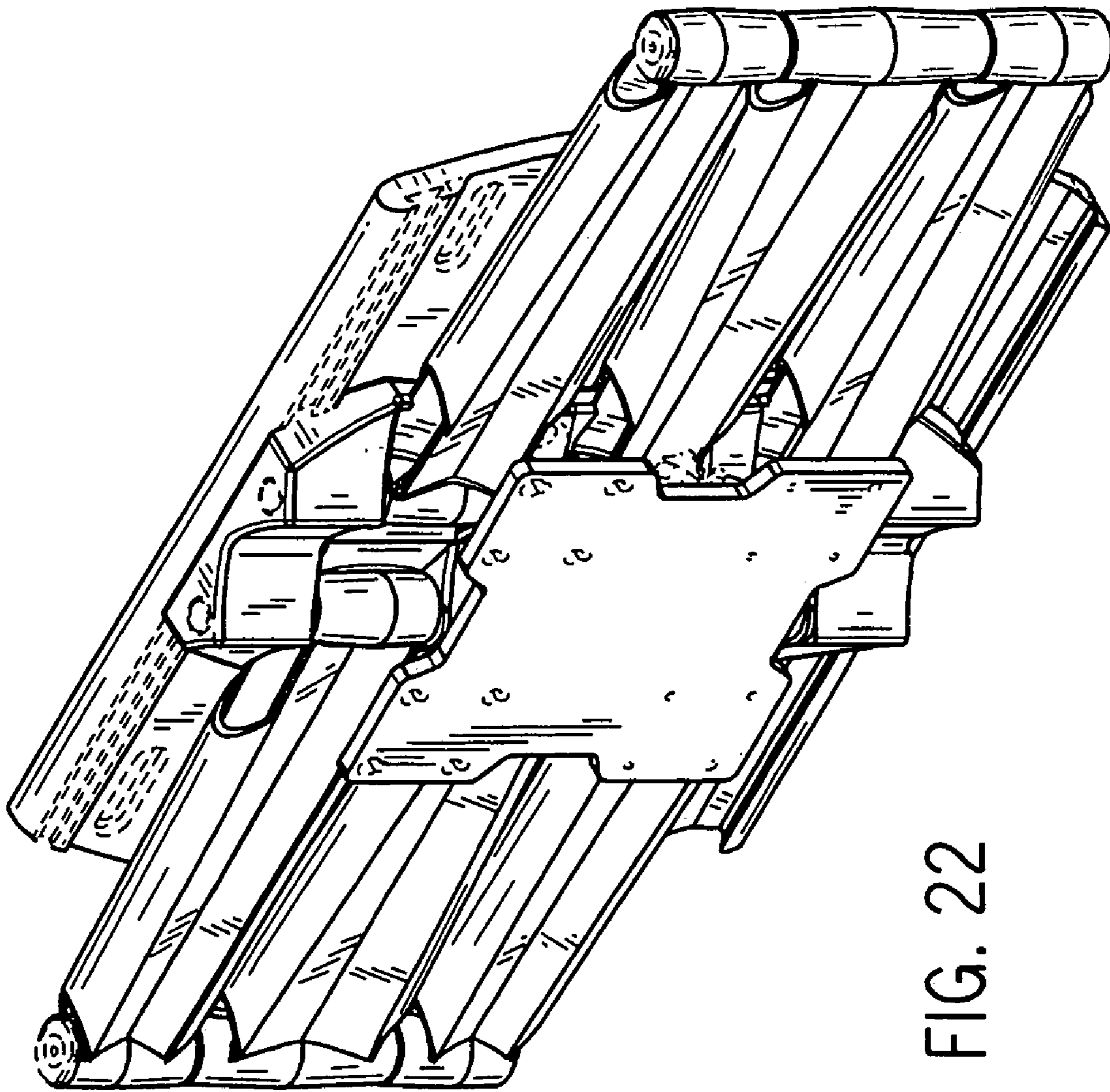


FIG. 22

FIG. 24

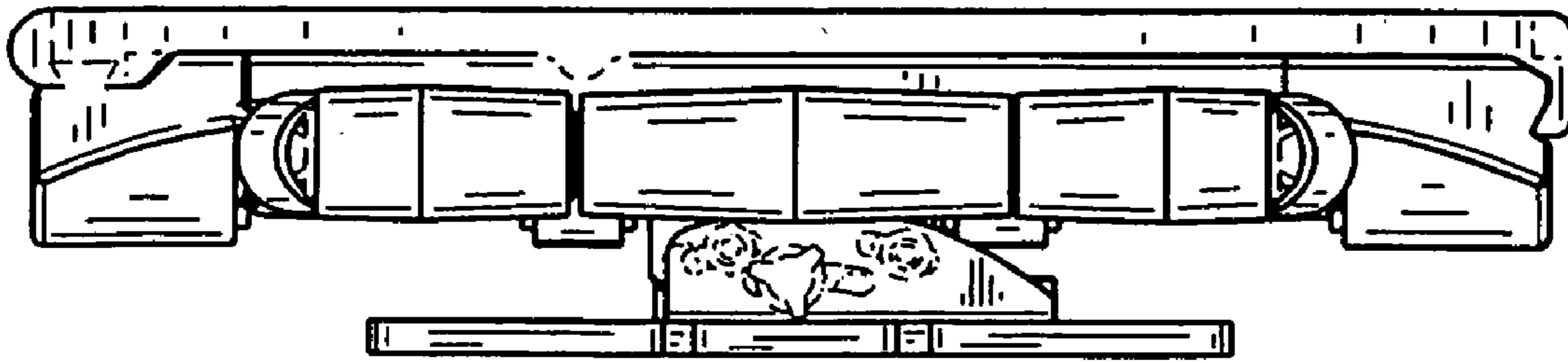
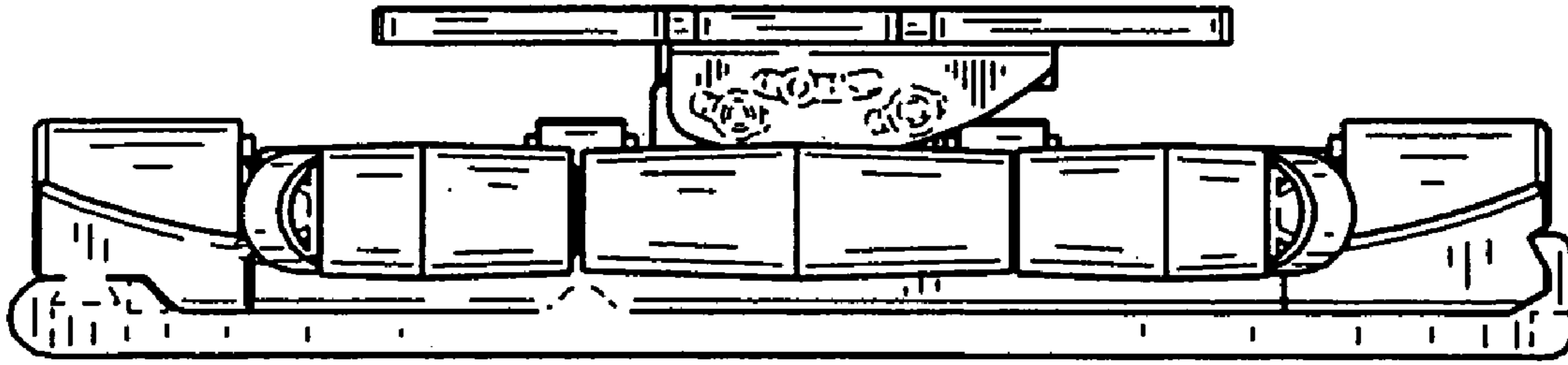


FIG. 23

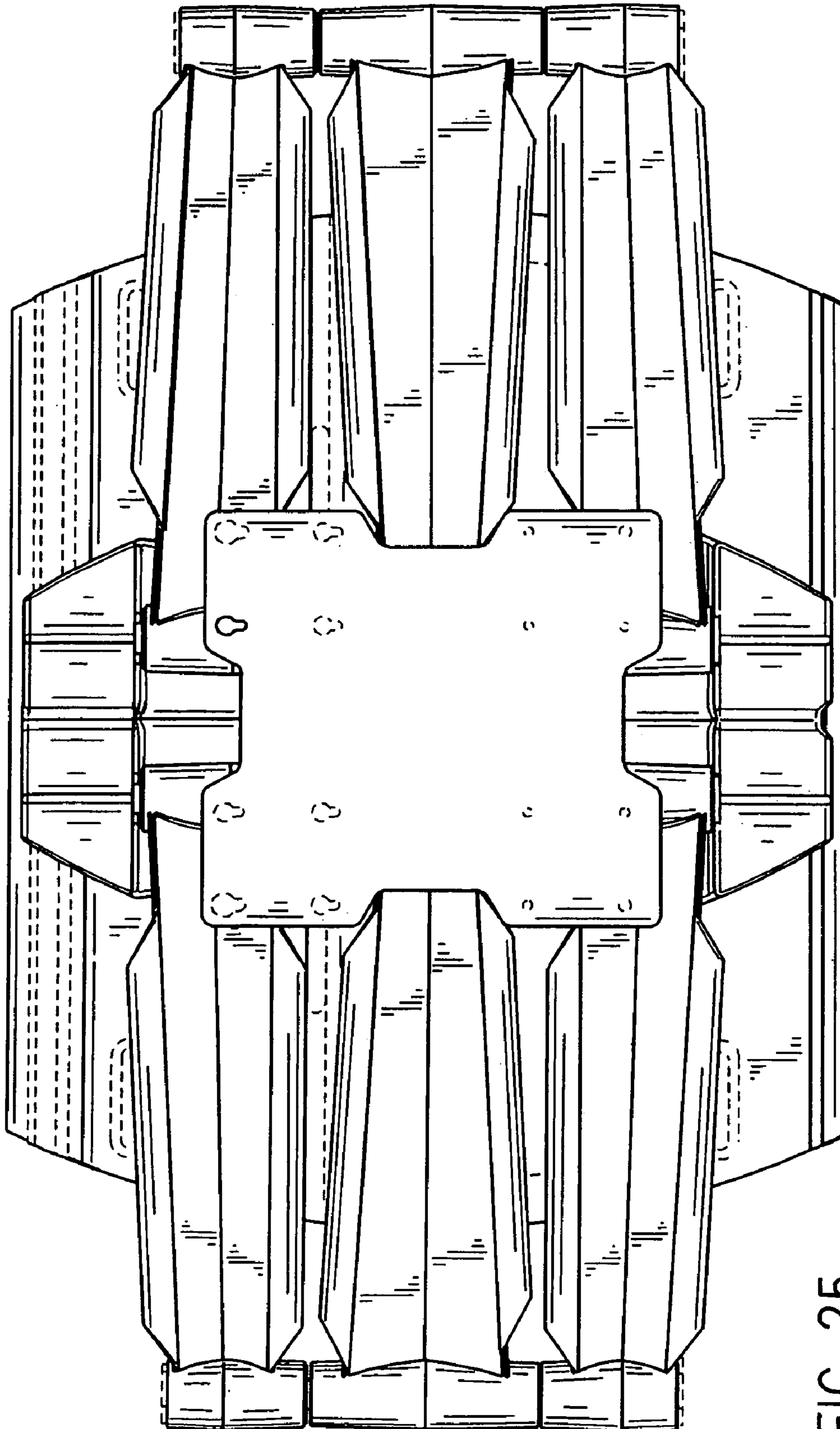


FIG. 25

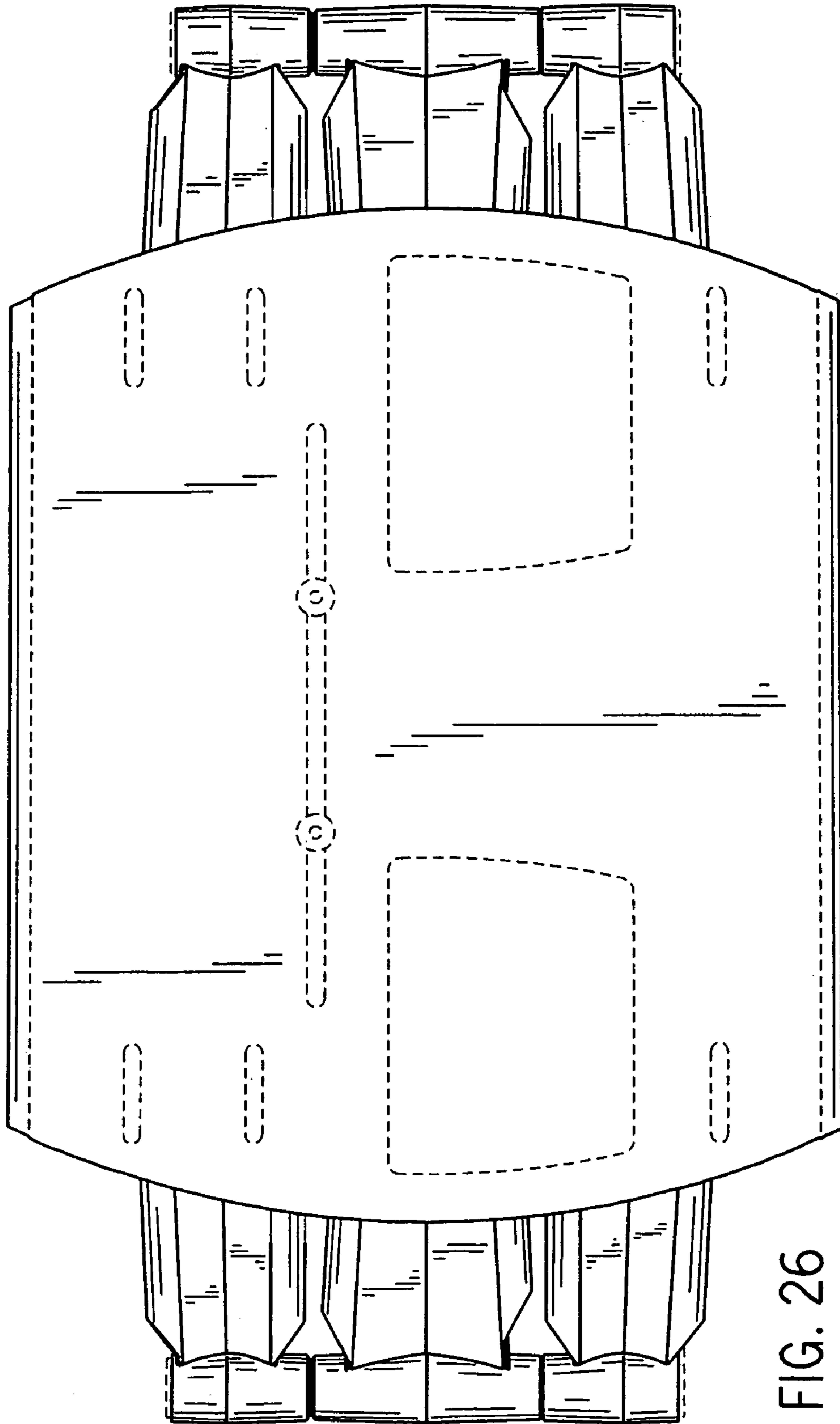


FIG. 26

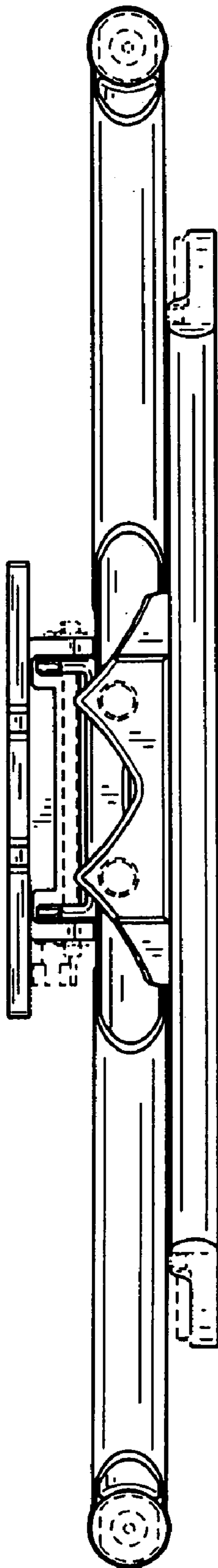


FIG. 27

FIG. 28

