



US00D558562S

(12) **United States Design Patent**
Ciungan et al.

(10) **Patent No.:** **US D558,562 S**
(45) **Date of Patent:** **** Jan. 1, 2008**

(54) **ARTICULATING MOUNT UNIT**

(75) Inventors: **Marcel Ciungan**, Arlington Heights, IL (US); **Dugan O'Keene**, Forest Park, IL (US)

(73) Assignee: **Peerless Industries, Inc.**, Melrose Park, IL (US)

(**) Term: **14 Years**

(21) Appl. No.: **29/264,330**

(22) Filed: **Aug. 8, 2006**

(51) **LOC (8) Cl.** **08-05**

(52) **U.S. Cl.** **D8/363; D14/452**

(58) **Field of Classification Search** D8/363;
D14/451-452, 375, 433; 248/593, 586, 274.1,
248/284.1

See application file for complete search history.

(56) **References Cited**

U.S. PATENT DOCUMENTS

5,751,548	A *	5/1998	Hall et al.	361/686
6,095,467	A *	8/2000	Neuhof	248/278.1
D455,949	S *	4/2002	Huang	D8/373
6,478,275	B1 *	11/2002	Huang	248/284.1
6,554,238	B1 *	4/2003	Hibberd	248/278.1
6,695,270	B1 *	2/2004	Smed	248/274.1

* cited by examiner

Primary Examiner—Holly H. Baynham

(74) *Attorney, Agent, or Firm*—Foley & Lardner LLP

(57) **CLAIM**

We claim the ornamental design for a articulating mount unit, as shown and described.

DESCRIPTION

FIG. 1 is a perspective view of the articulating mount unit showing our new design;

FIG. 2 is a left side view thereof;

FIG. 3 is a right side view thereof;

FIG. 4 is a front view thereof;

FIG. 5 is a rear view thereof;

FIG. 6 is a top plan view thereof;

FIG. 7 is a bottom view thereof;

FIG. 8 is a perspective view of another embodiment of the articulating mount unit showing our new design;

FIG. 9 is a left side view of the articulating mount unit in FIG. 8;

FIG. 10 is a right side view of the articulating mount unit in FIG. 8;

FIG. 11 is a front view of the articulating mount unit in FIG. 8;

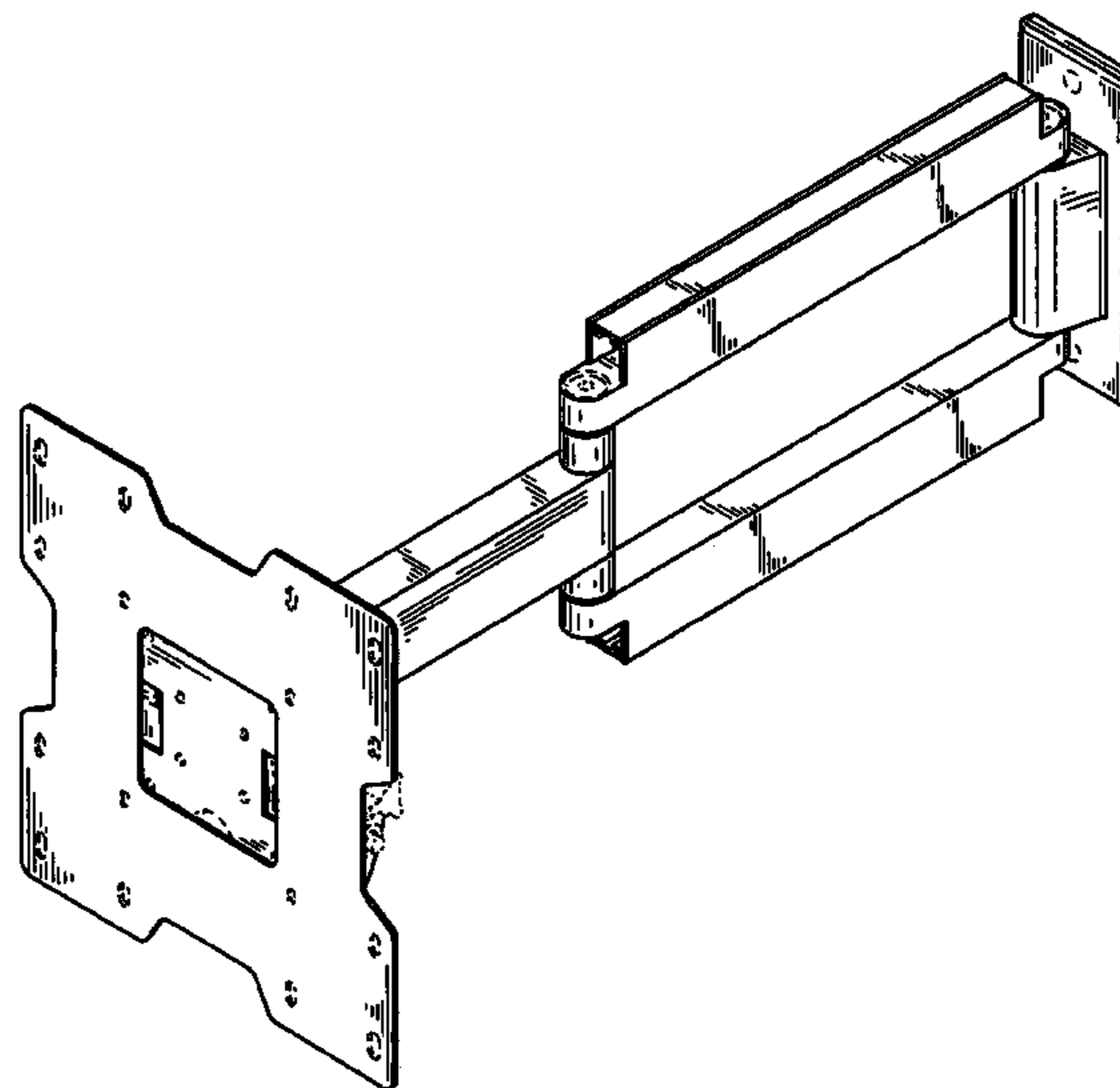
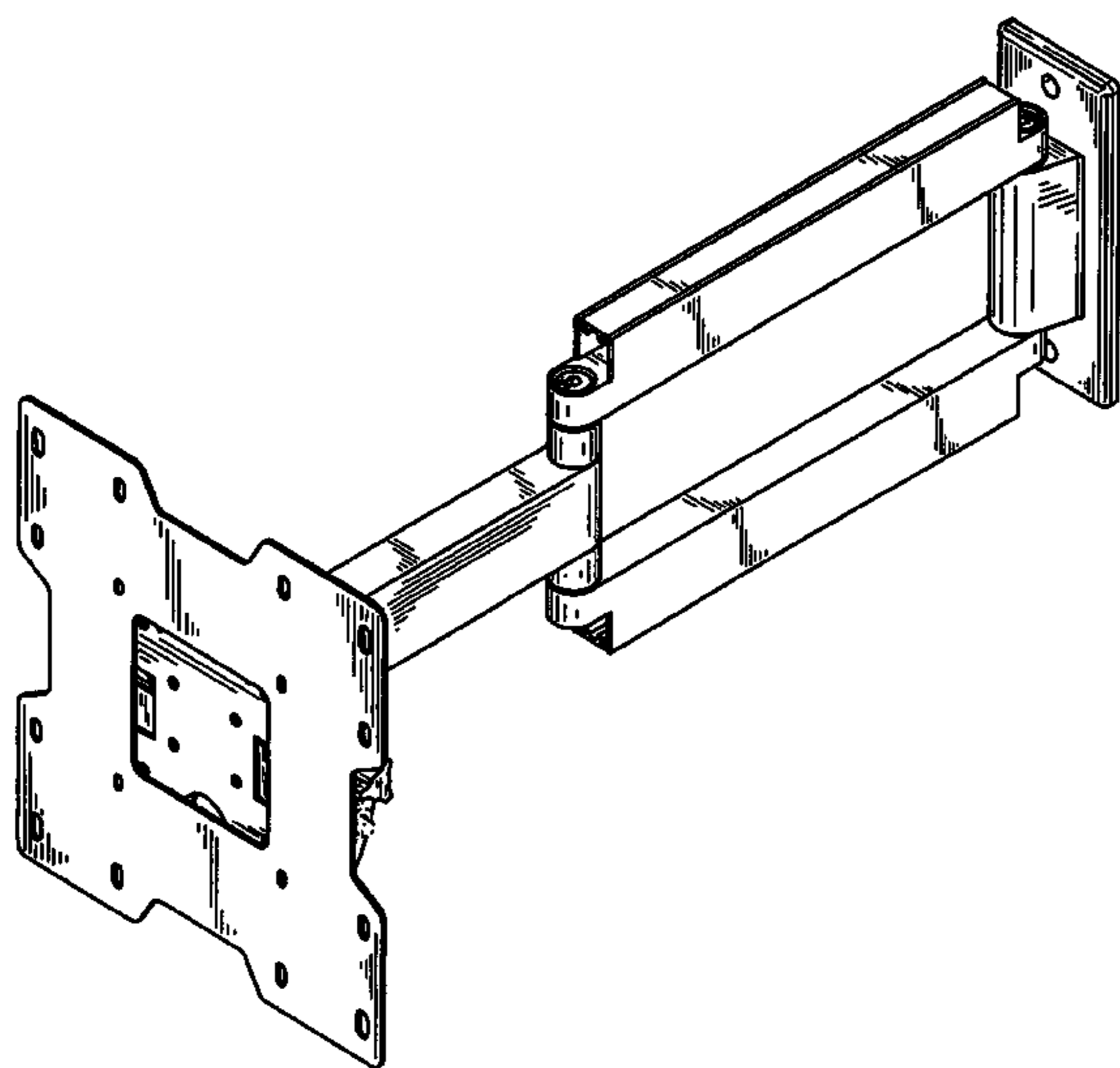
FIG. 12 is rear view of the articulating mount unit in FIG. 8;

FIG. 13 is a top plan view of the articulating mount unit in FIG. 8; and,

FIG. 14 is a bottom view of the articulating mount unit in FIG. 8.

The broken lines in the drawings are for illustrative purposes only and form no part of the claimed design.

1 Claim, 12 Drawing Sheets



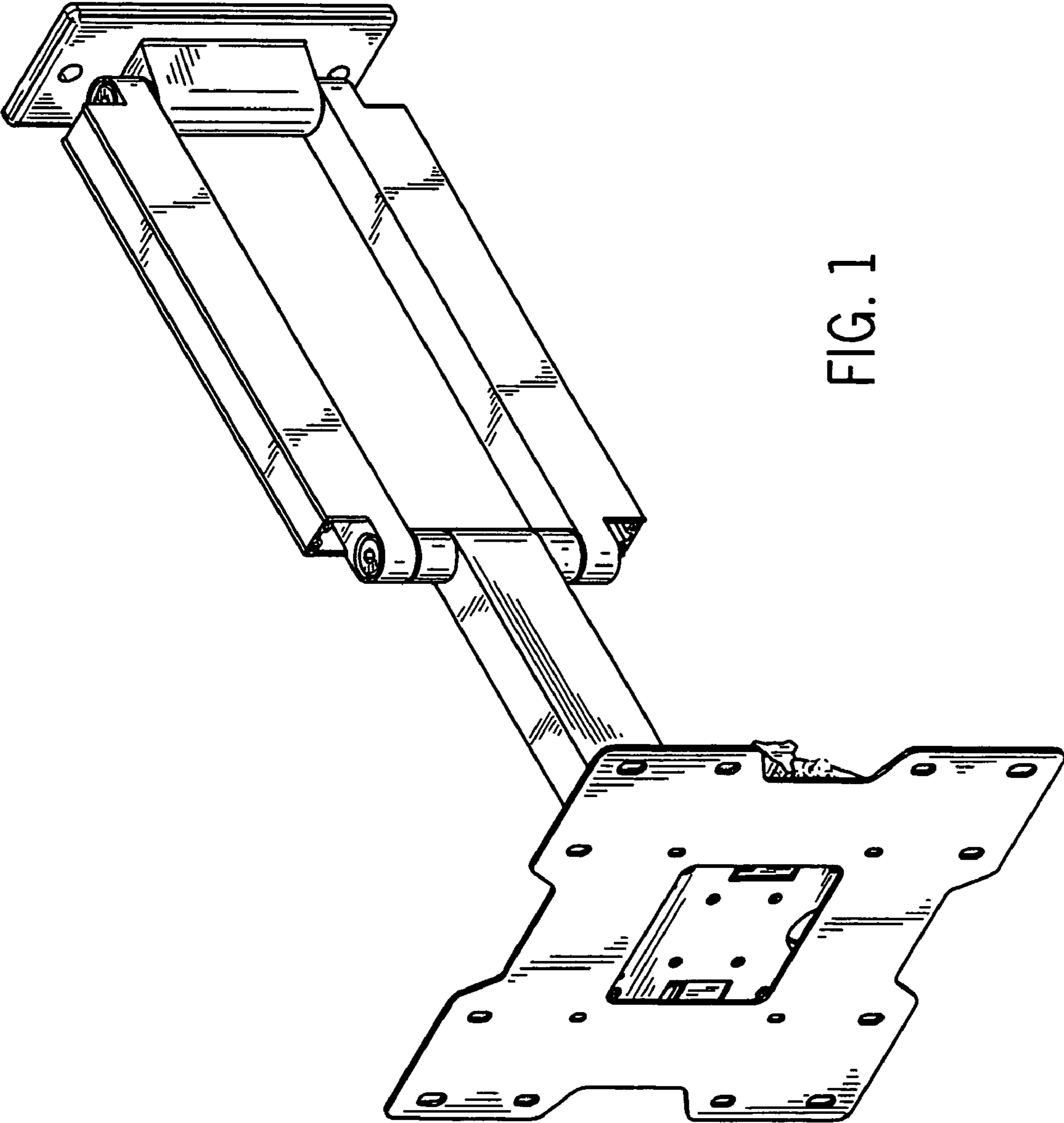
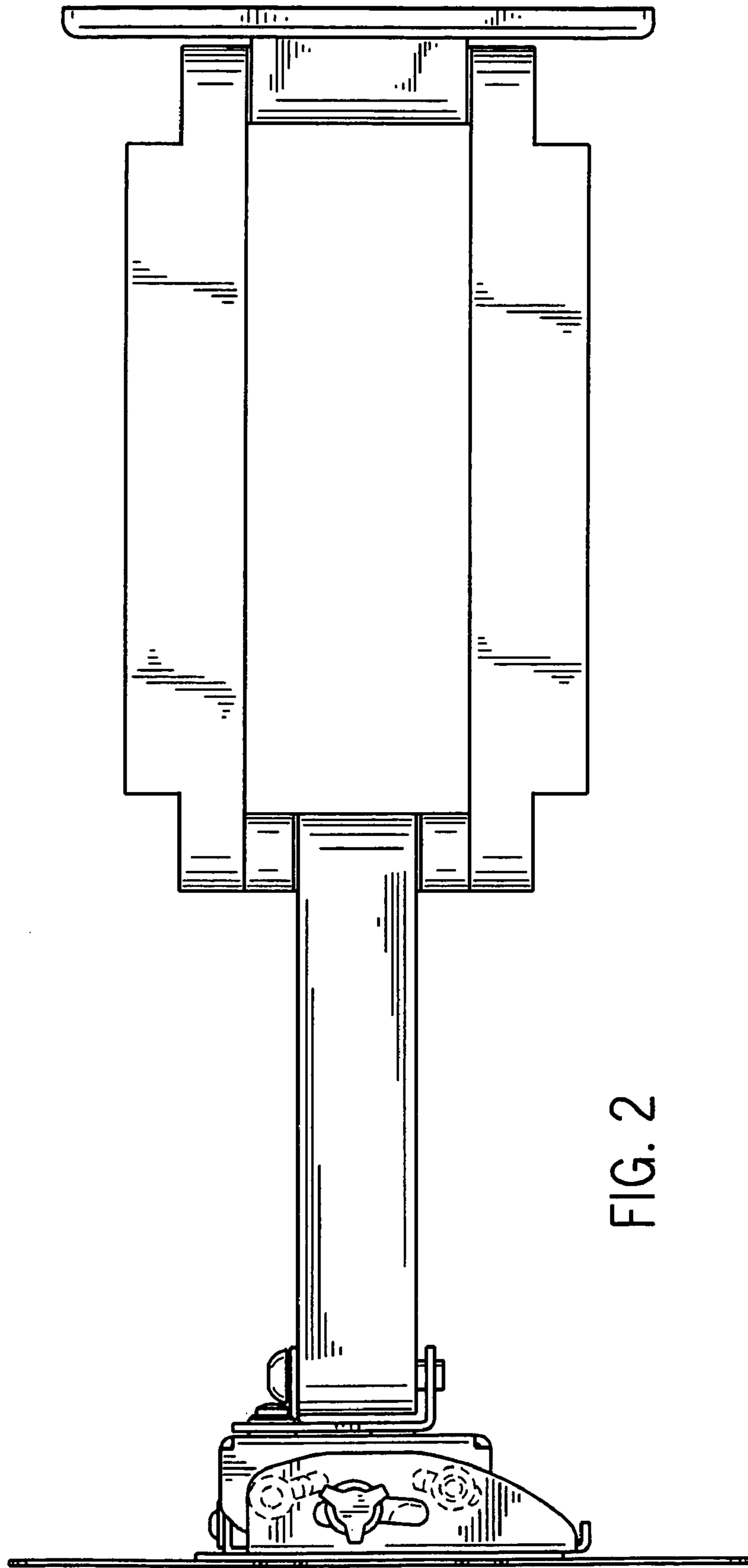


FIG. 1



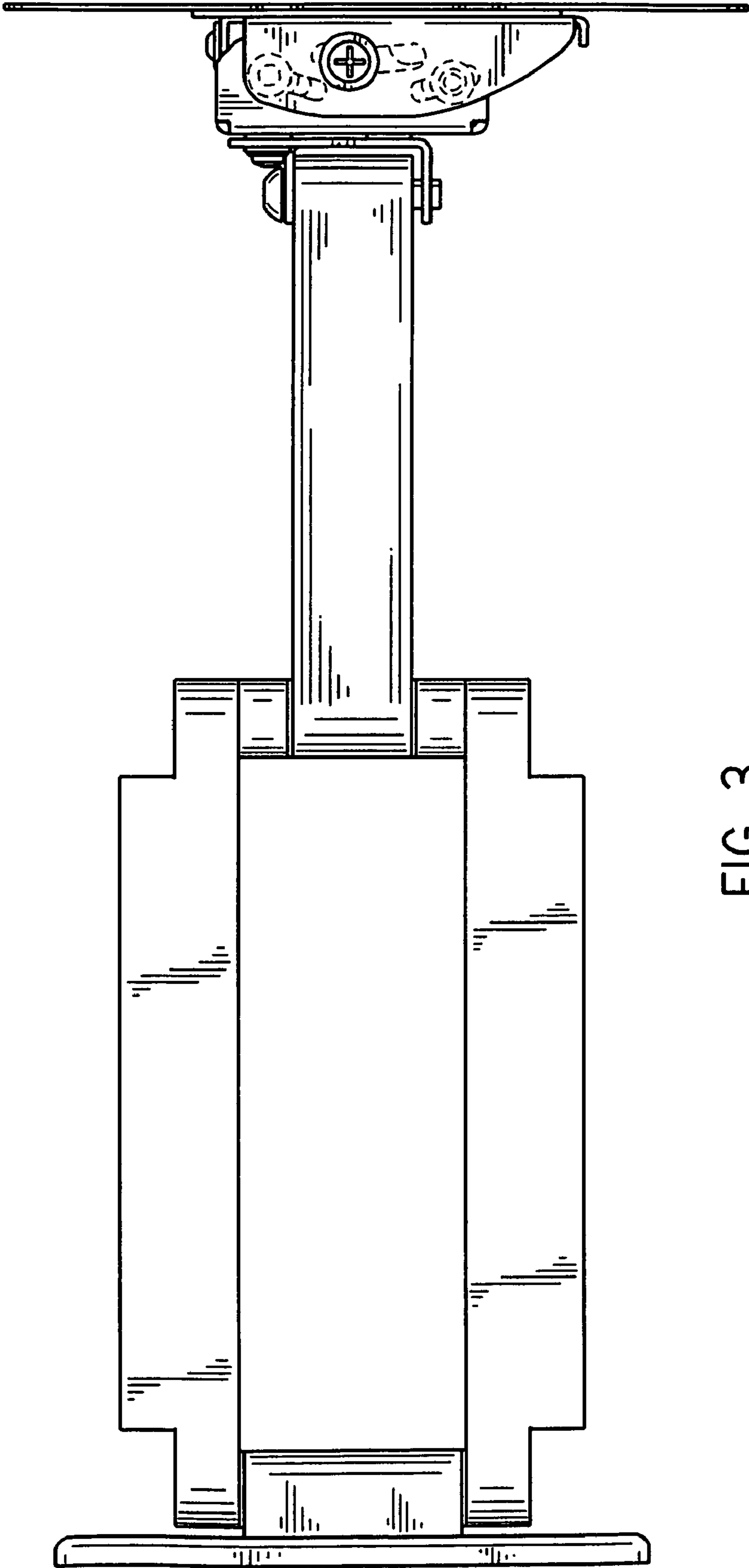


FIG. 3

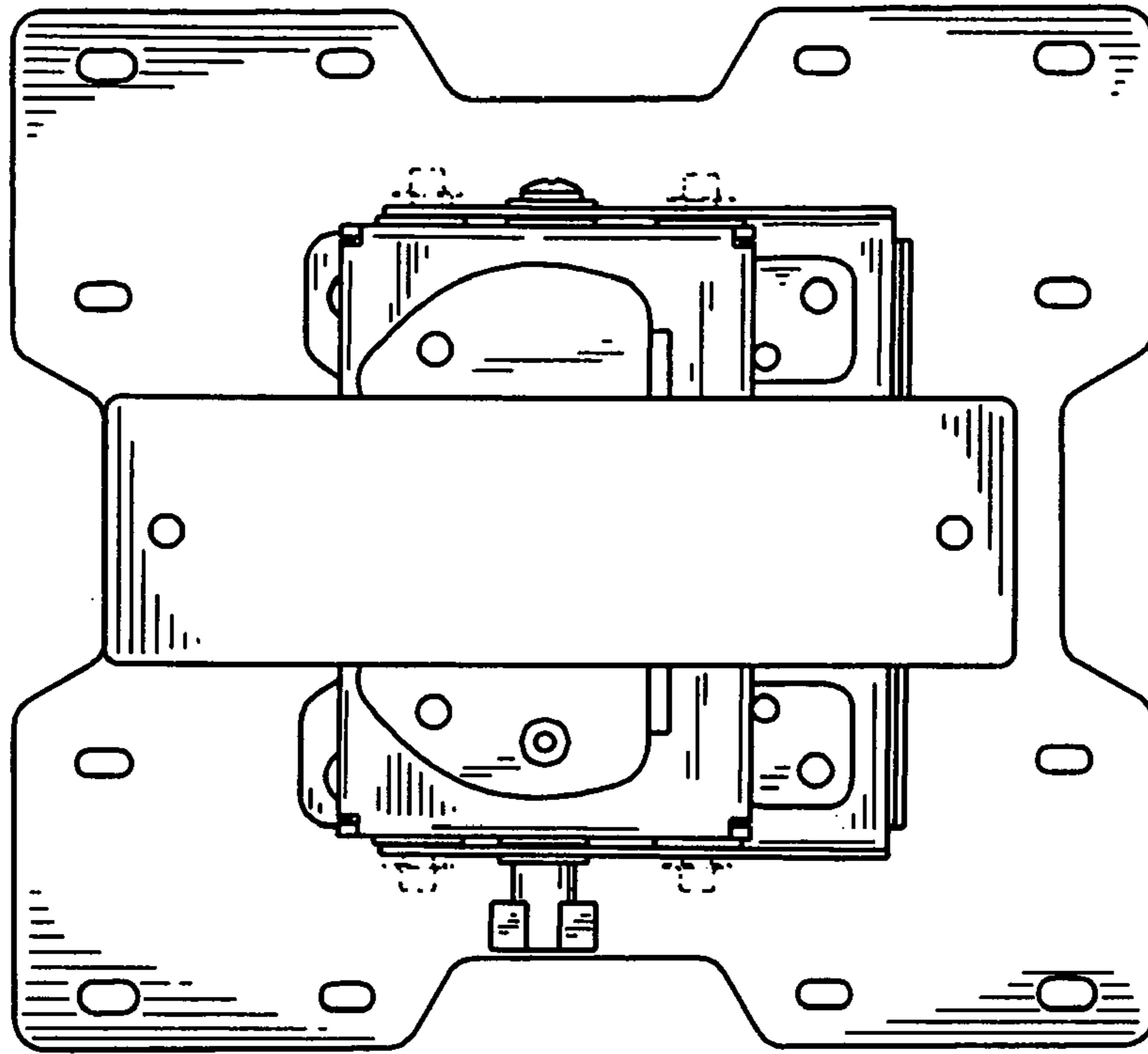


FIG. 5

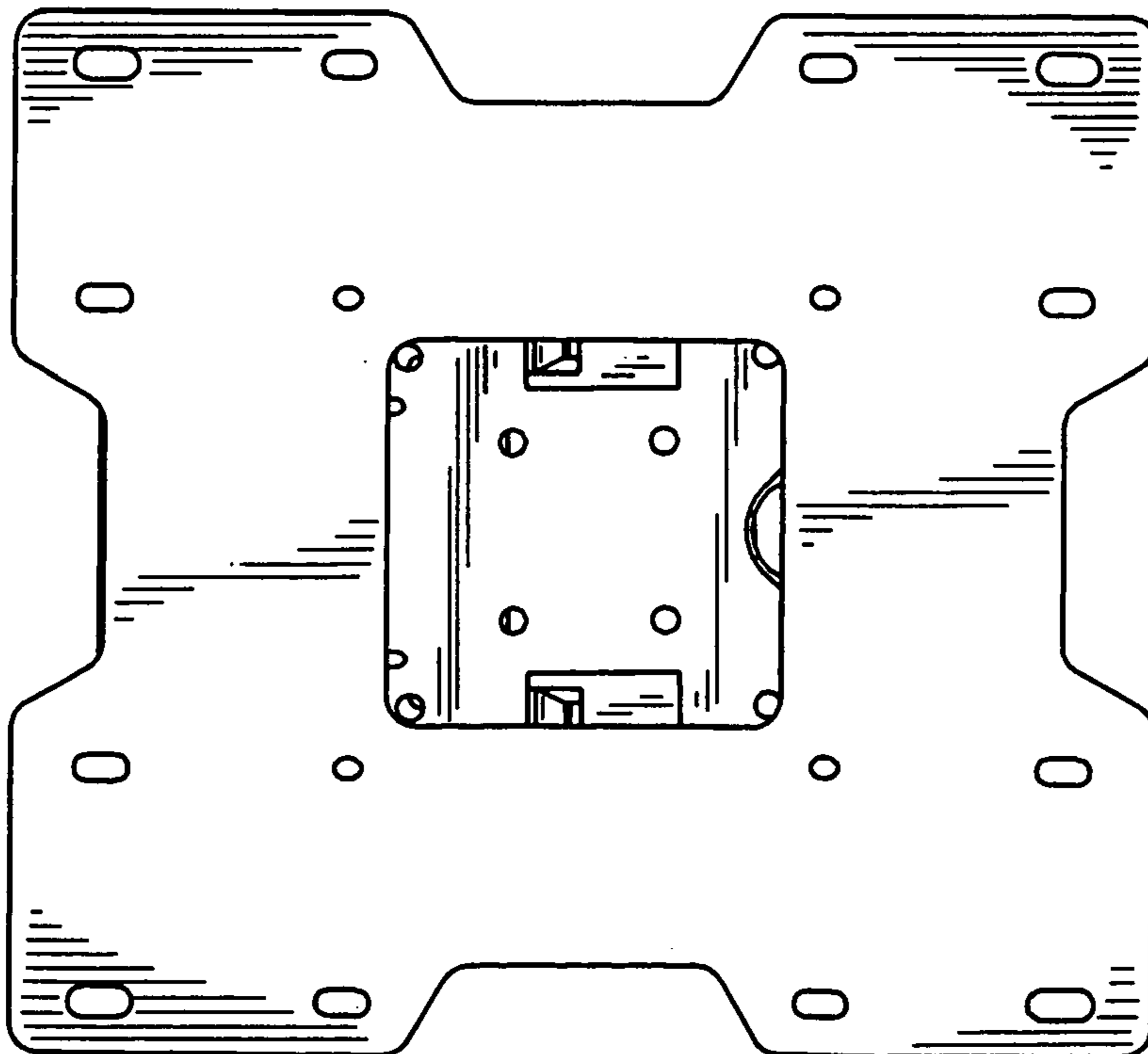


FIG. 4

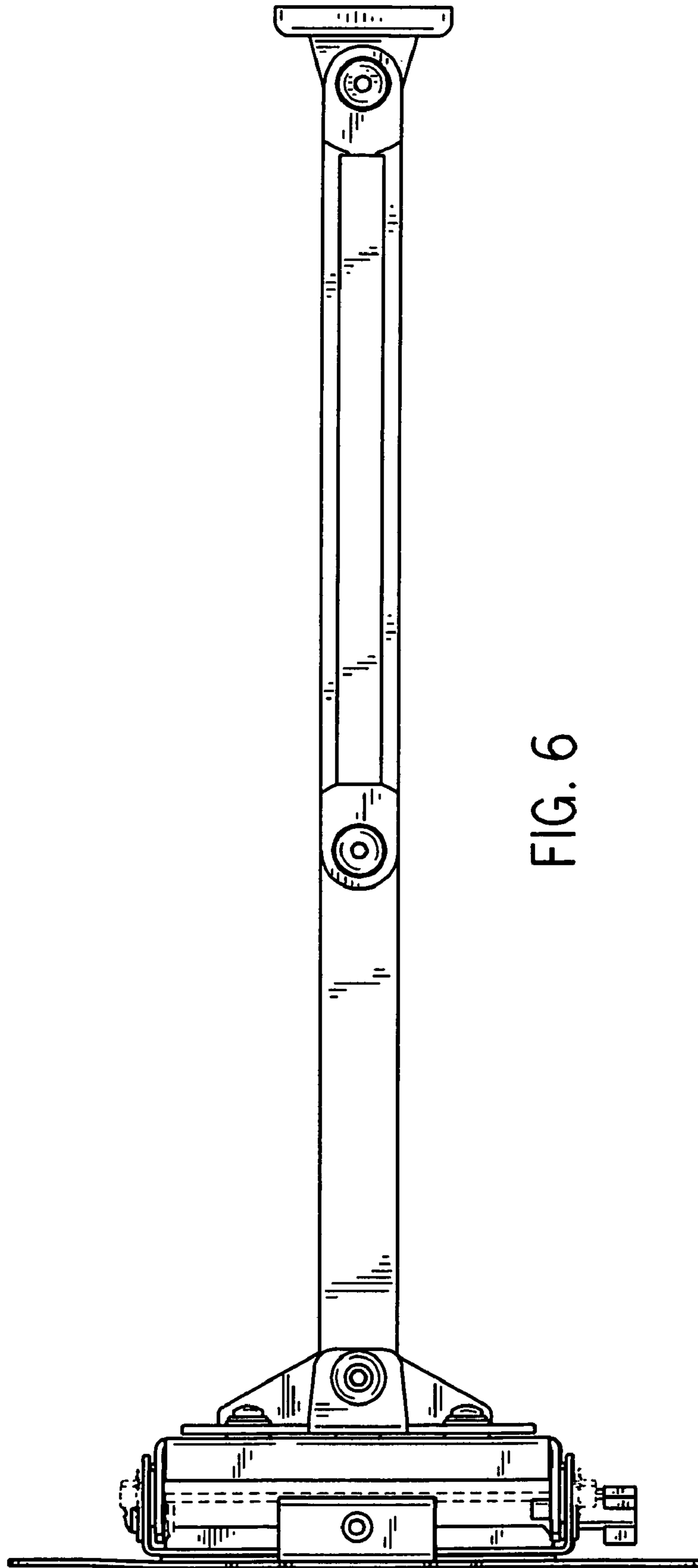


FIG. 6

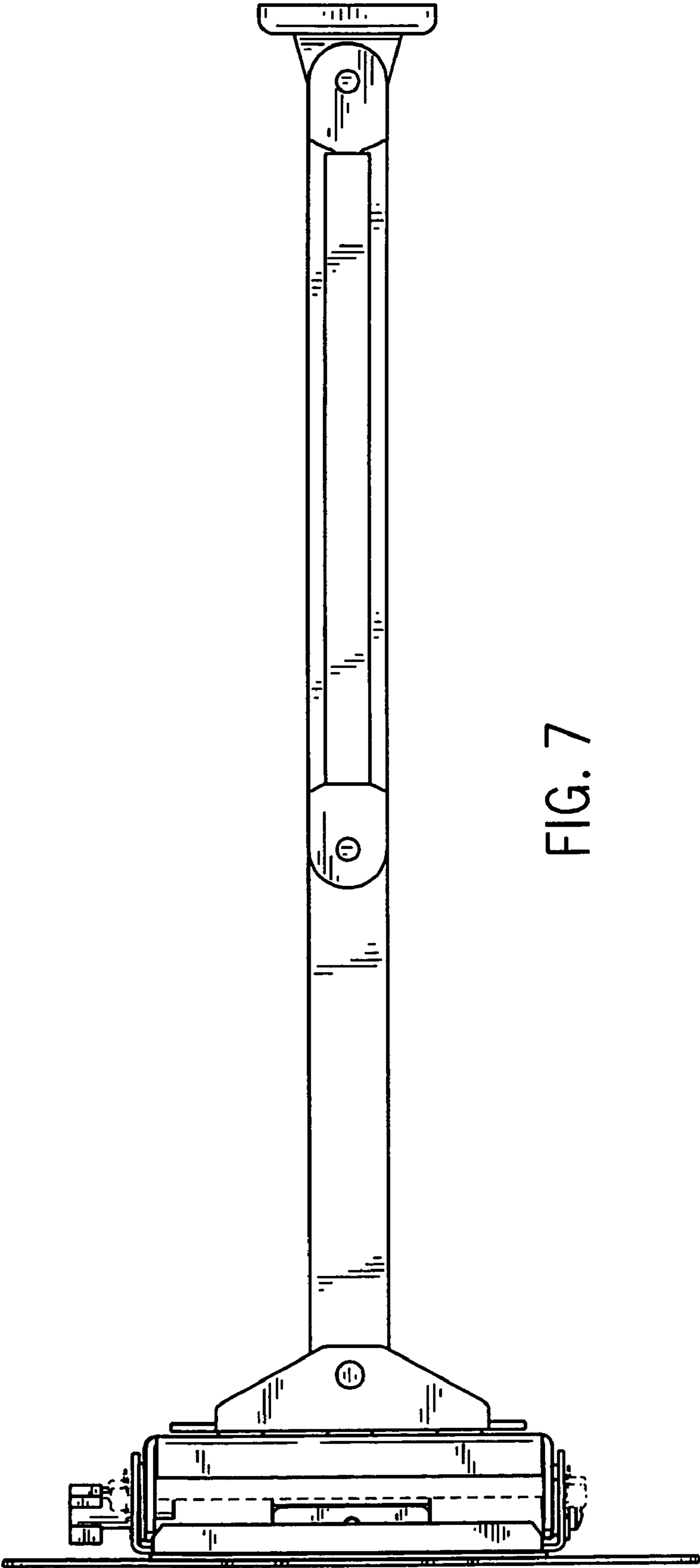


FIG. 7

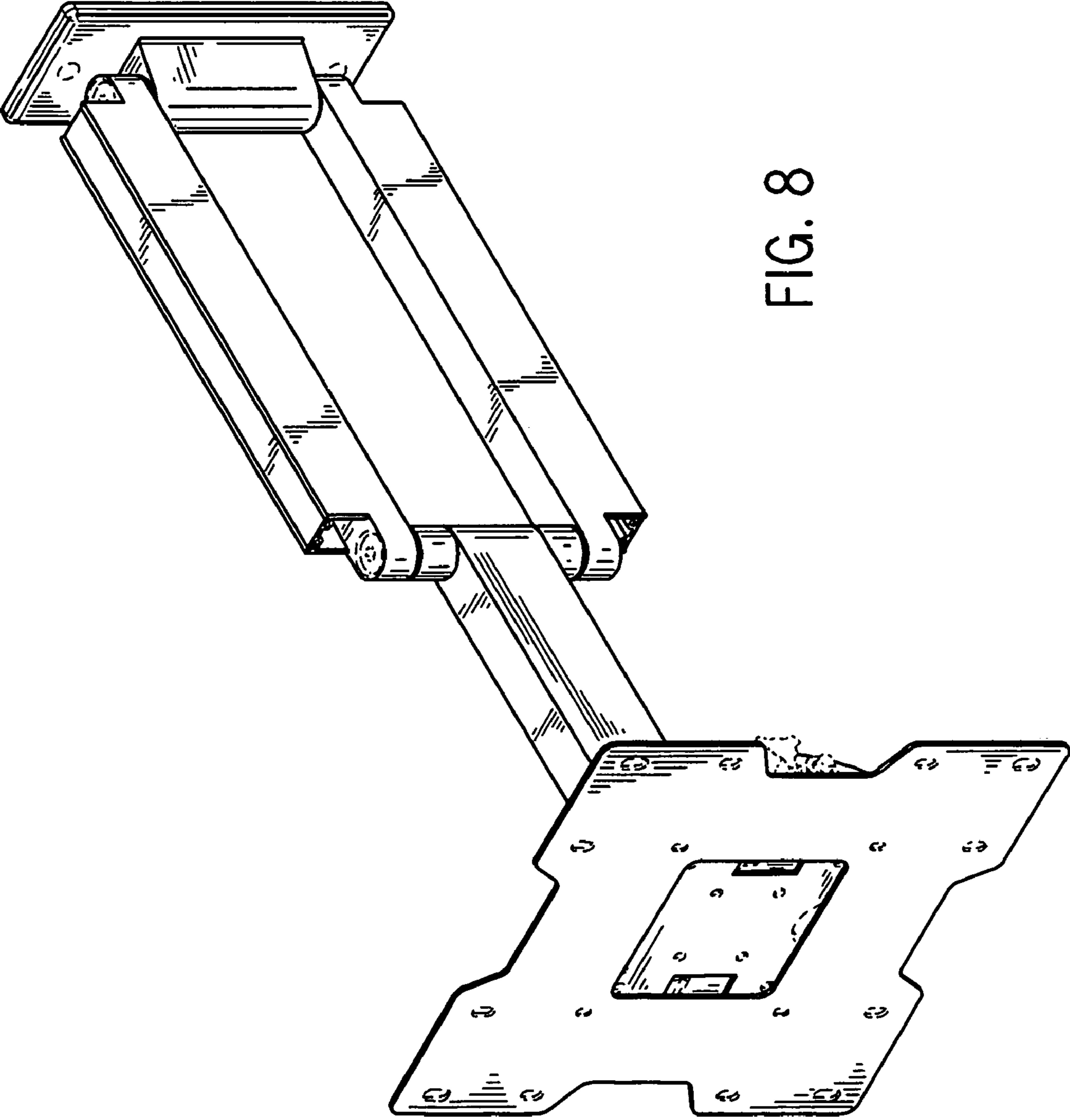


FIG. 8

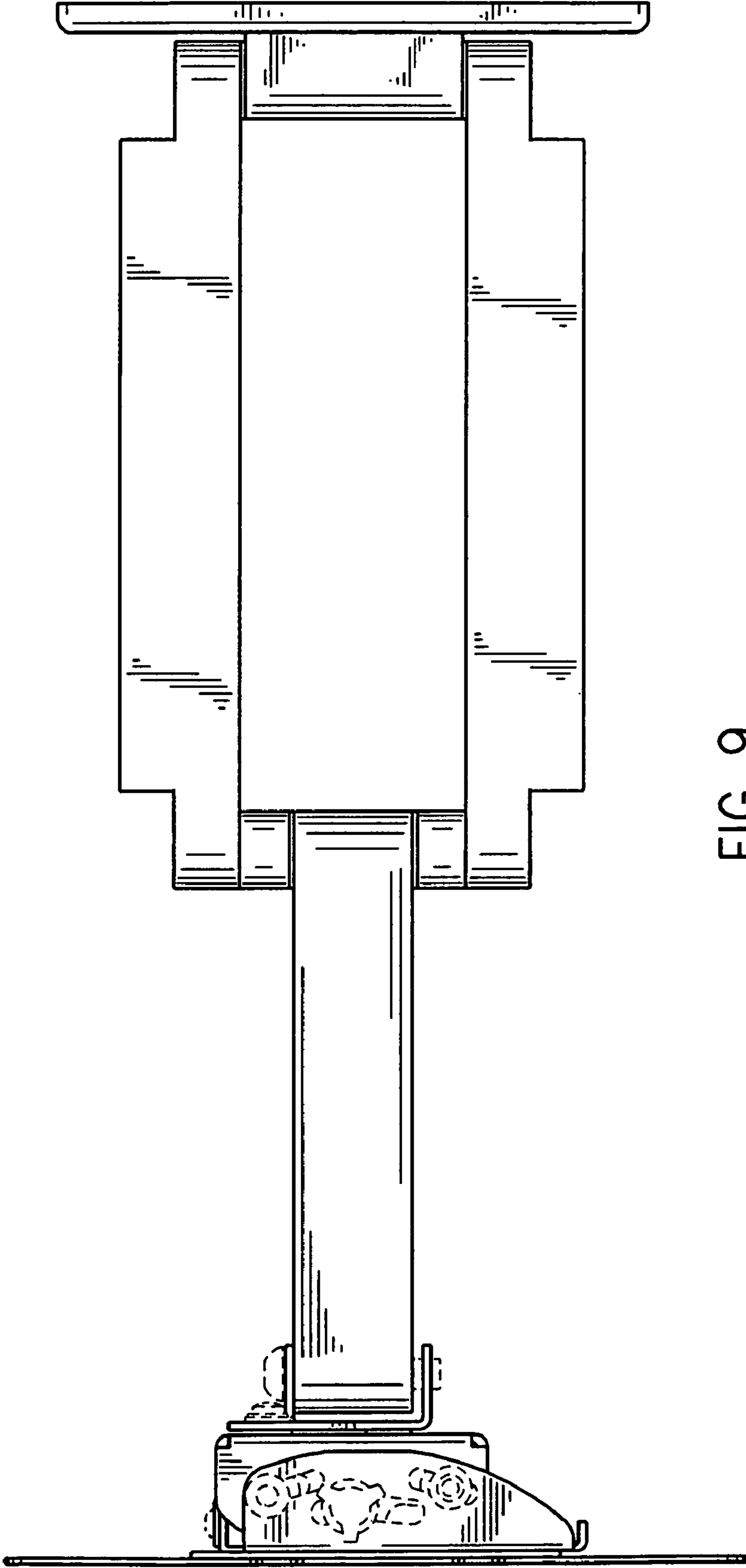


FIG. 9

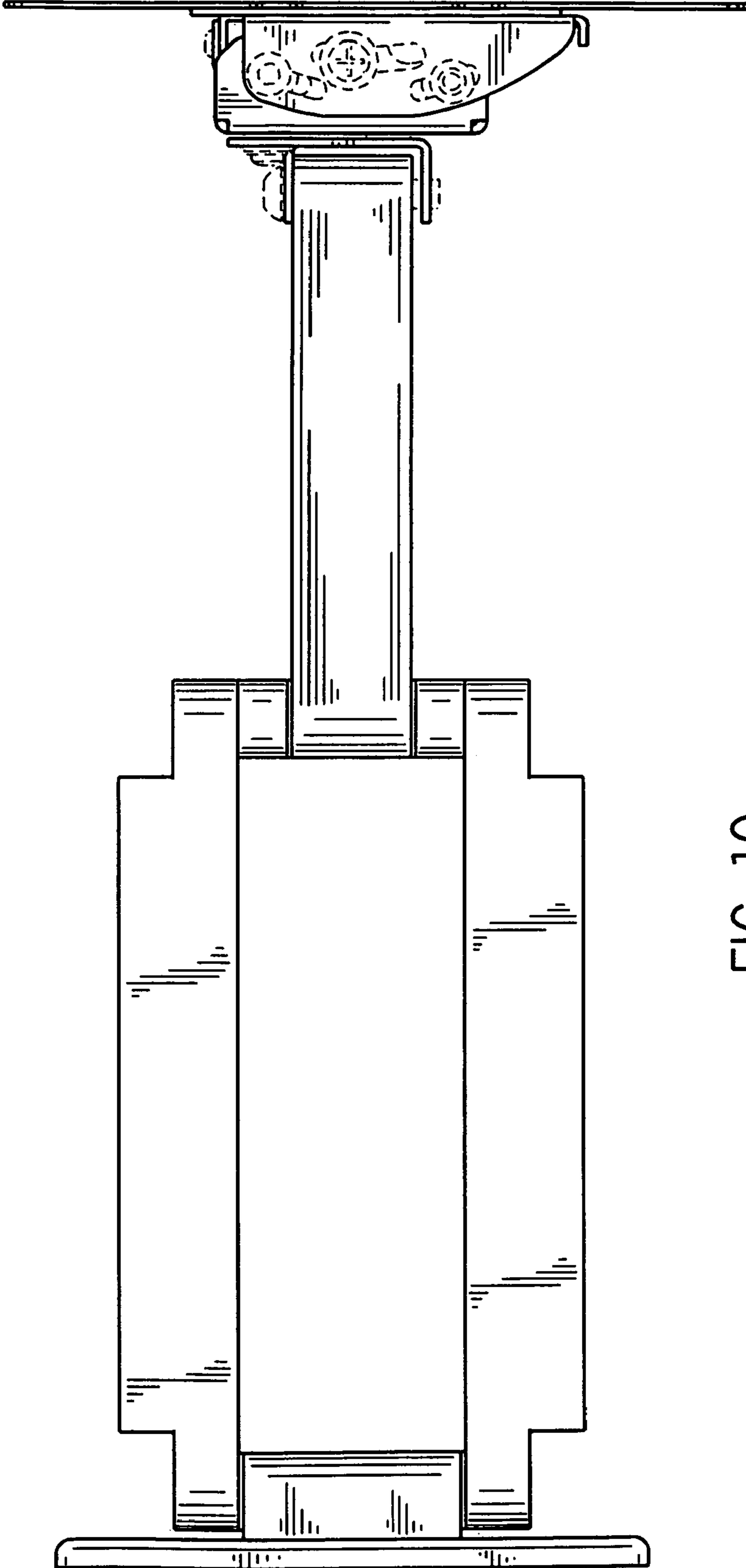


FIG. 10

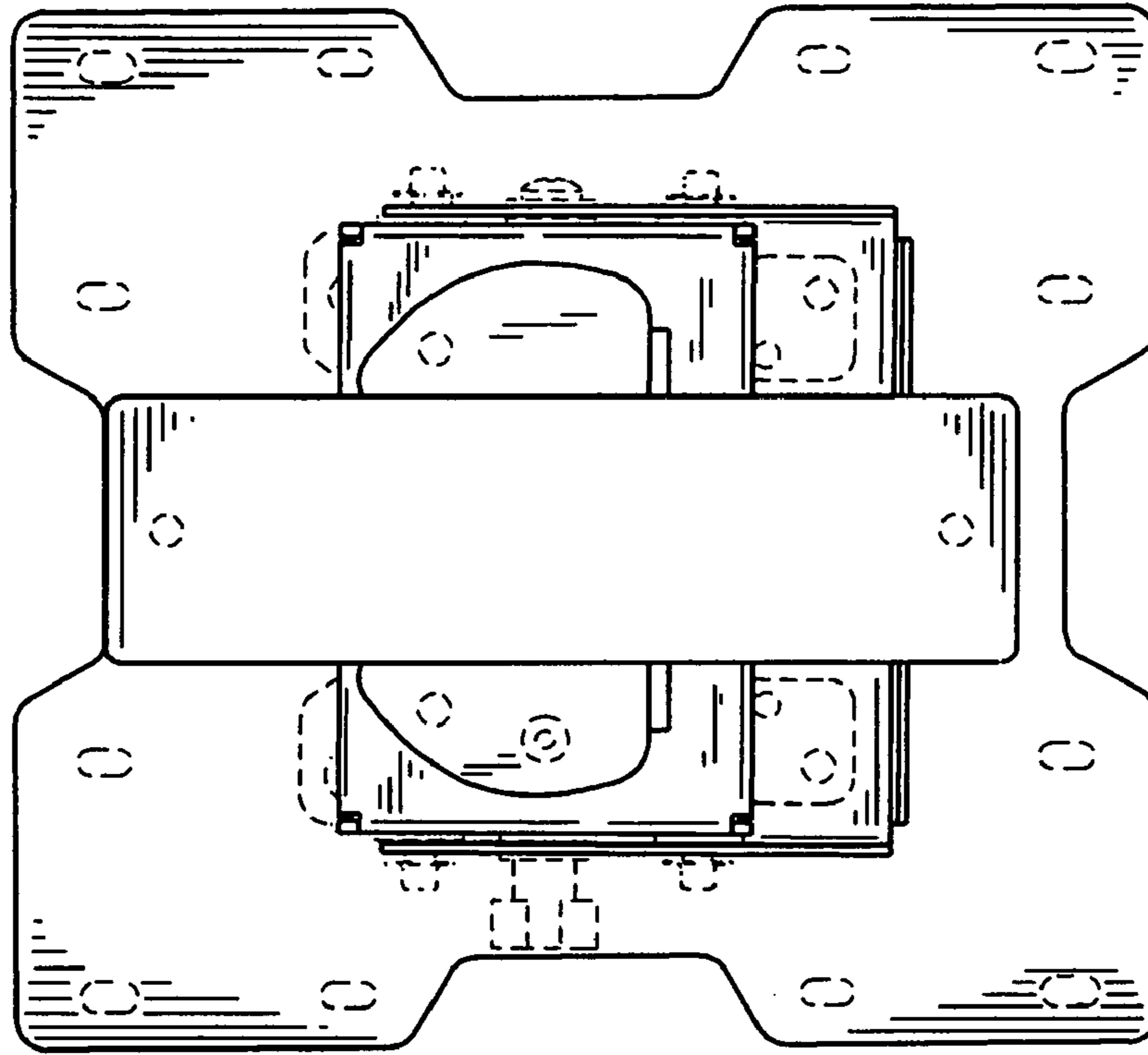


FIG. 11

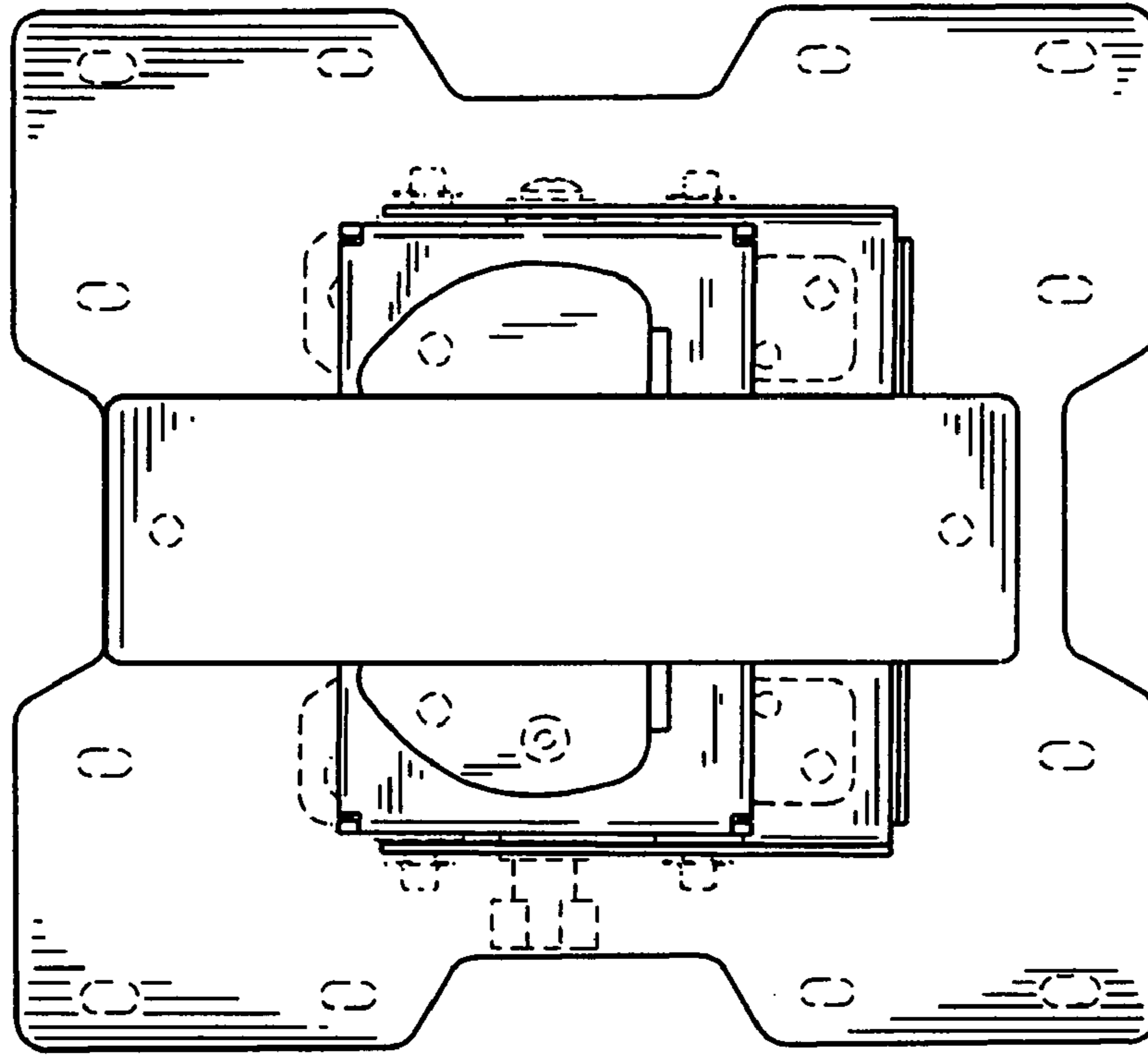


FIG. 12

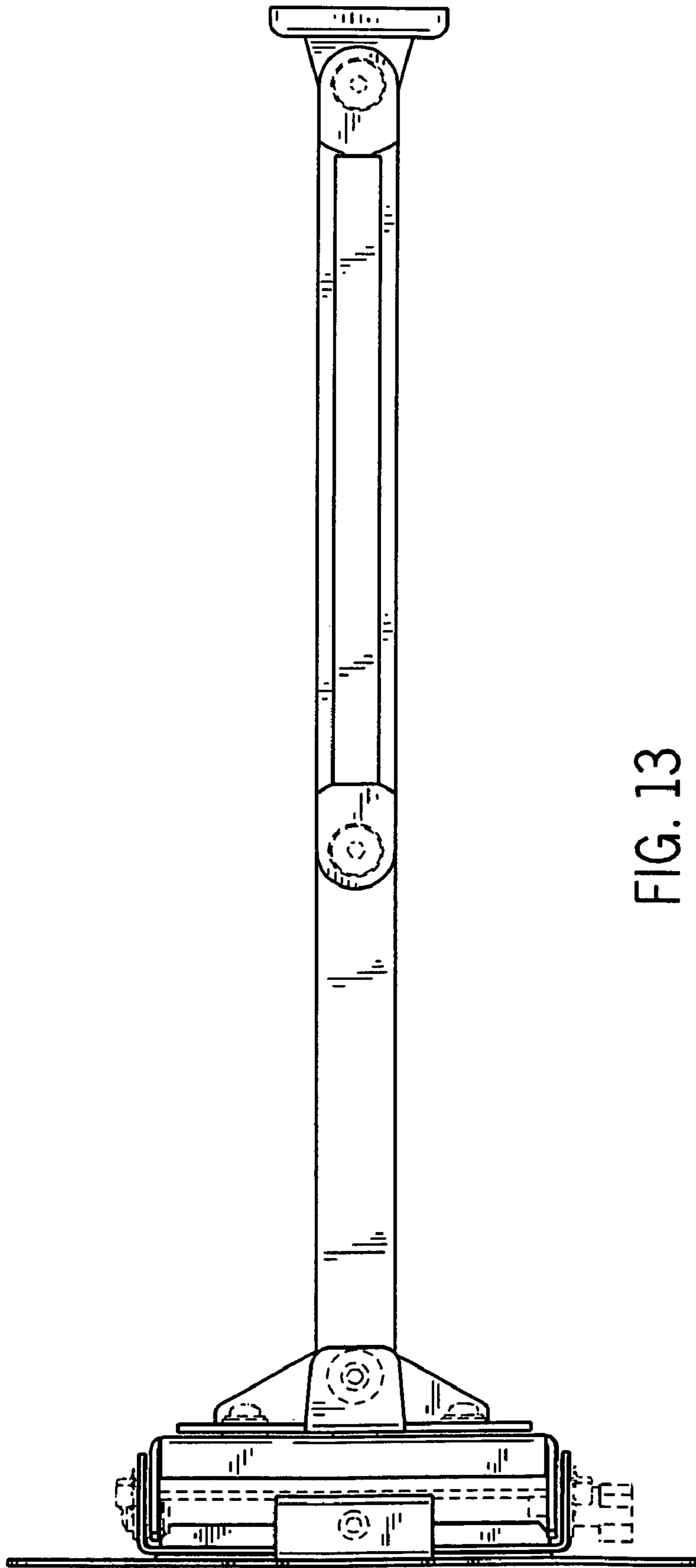


FIG. 13

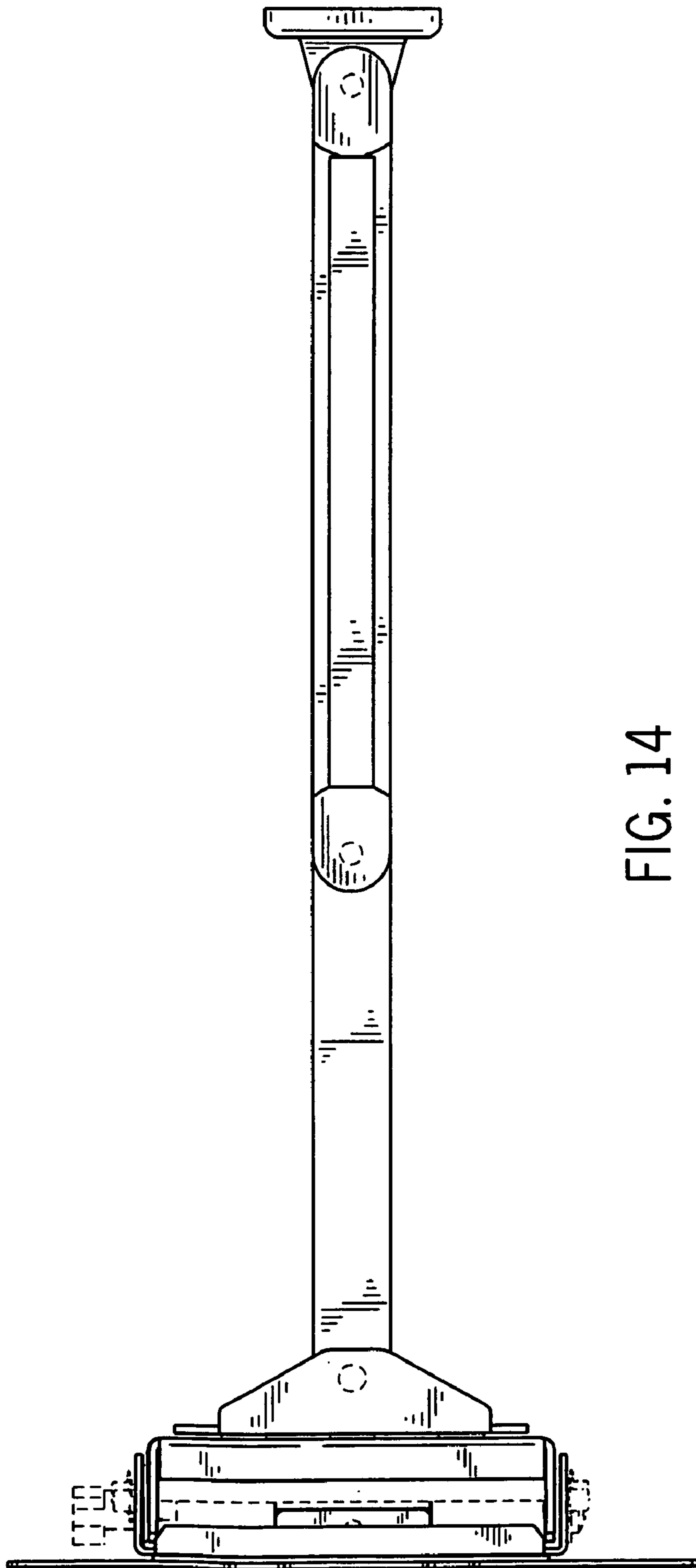


FIG. 14