

US00D558556S

(12) **United States Design Patent**  
**Weinerman et al.**

(10) **Patent No.:** **US D558,556 S**  
(45) **Date of Patent:** **\*\* Jan. 1, 2008**

- (54) **FRONT PORTION OF A HANDLE AND HOUSING ASSEMBLY**
- (75) Inventors: **Lee S. Weinerman**, Medina, OH (US);  
**Scott S. Kalanish**, Hiram, OH (US)
- (73) Assignee: **The Eastern Company**, Cleveland, OH (US)
- (\*\*) Term: **14 Years**
- (21) Appl. No.: **29/251,236**
- (22) Filed: **Jan. 5, 2006**

**Related U.S. Application Data**

- (63) Continuation-in-part of application No. 29/225,253, filed on Mar. 14, 2005, now Pat. No. Des. 539,635, and a continuation-in-part of application No. 29/225,254, filed on Mar. 14, 2005, now Pat. No. Des. 532,673, and a continuation-in-part of application No. 29/225,255, filed on Mar. 14, 2005, now Pat. No. Des. 523,726, and a continuation-in-part of application No. 11/079,328, filed on Mar. 14, 2005.

- (51) **LOC (8) Cl.** ..... **08-06**
- (52) **U.S. Cl.** ..... **D8/301**
- (58) **Field of Classification Search** ..... D8/301-302, D8/306-307, 321, 336-338, 350, 352-353, D8/343; 70/208, 210; 292/336.3, DIG. 2, 292/DIG. 3, DIG. 30, DIG. 31; 84/95.2; 220/231

See application file for complete search history.

(56) **References Cited**

**U.S. PATENT DOCUMENTS**

D119,418 S	3/1940	Anderson et al. ....	D8/306
2,402,348 A	6/1946	Schroeder .....	292/164
2,729,089 A	1/1956	Pelcin .....	70/151
2,735,706 A	2/1956	Pelcin .....	292/34
2,991,904 A	7/1961	Carideo .....	220/44
3,333,878 A	8/1967	Pelcin .....	292/37
3,457,744 A	7/1969	Bisbing .....	70/82
3,953,061 A	4/1976	Hansen et al. ....	292/5
4,370,874 A	2/1983	Munn .....	70/204

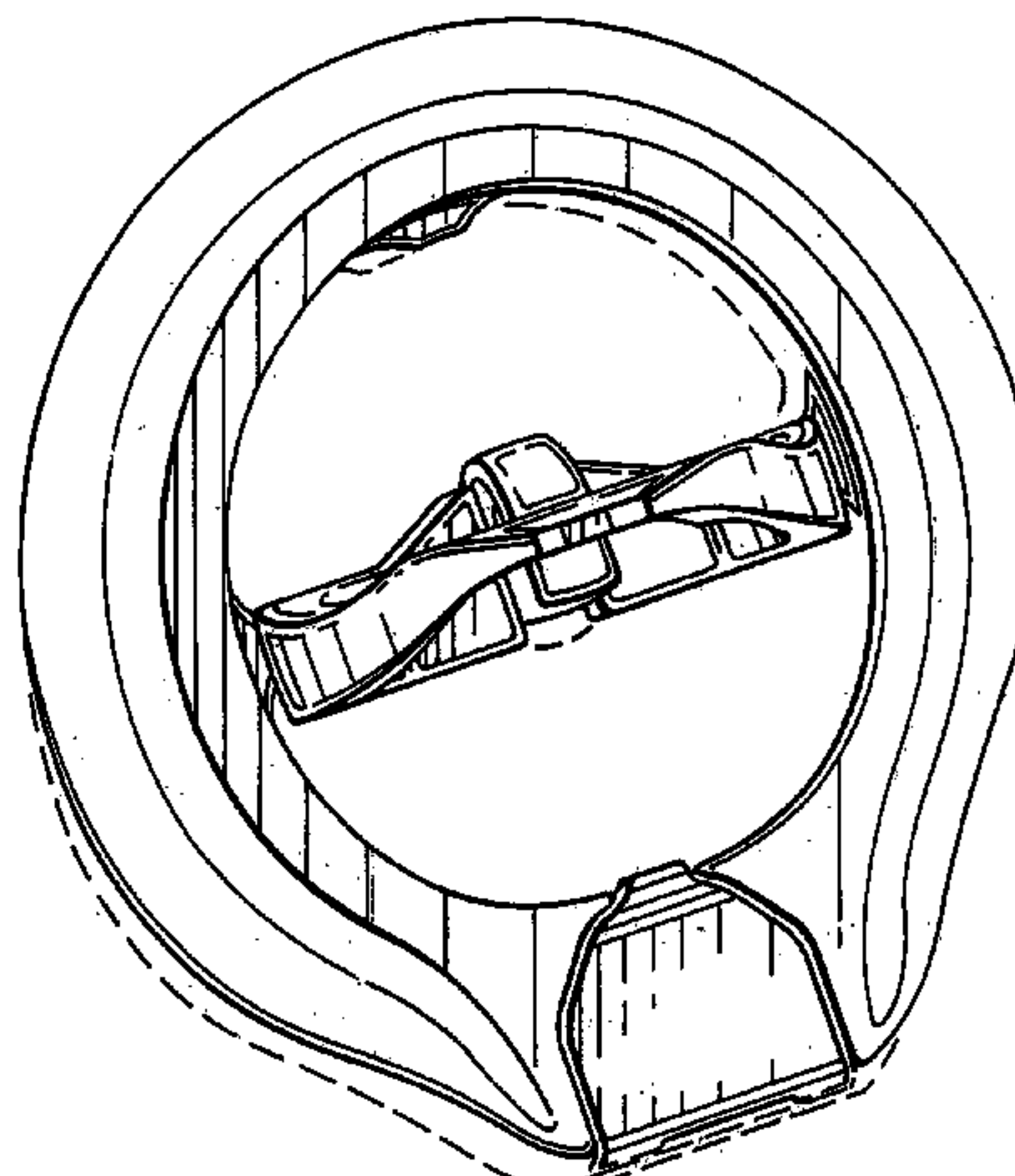
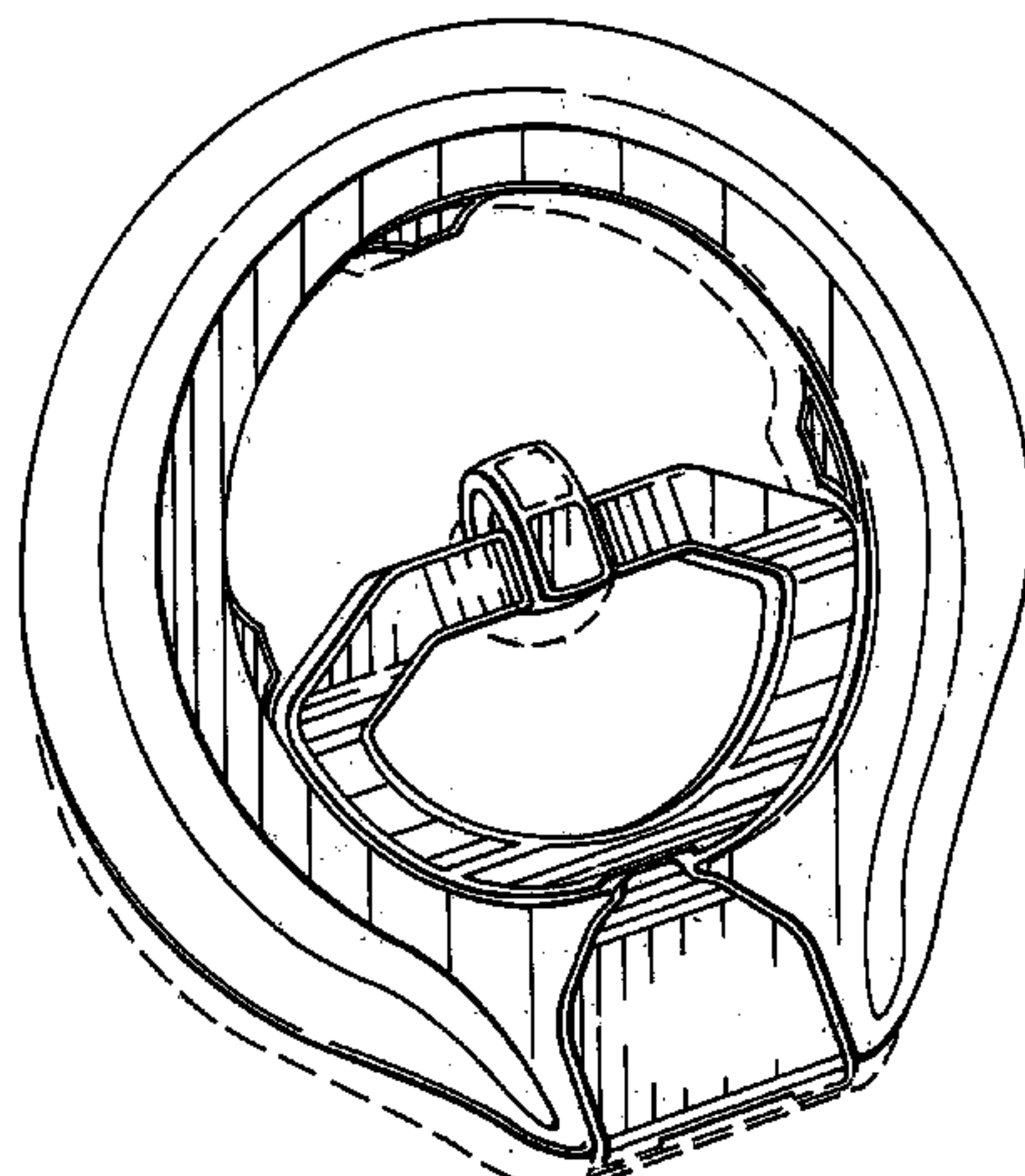
4,641,865 A	2/1987	Pastva .....	292/5
4,706,478 A	11/1987	Swan et al. ....	70/208
4,714,283 A	12/1987	Dignan .....	292/48
4,838,054 A	6/1989	Weinerman et al. ....	70/208
4,892,338 A	1/1990	Weinerman et al. ....	292/35
D316,365 S	4/1991	Hansen et al. ....	D8/331
5,015,019 A	5/1991	Razdolsky .....	292/200
D317,398 S	6/1991	Hansen et al. ....	D8/336
5,052,869 A	10/1991	Hansen, II .....	410/111
D323,776 S	2/1992	Hansen .....	D8/338
D323,970 S	2/1992	Schlack .....	D8/341
D328,231 S	7/1992	Hansen .....	D8/301
5,526,660 A	6/1996	Bennett et al. ....	70/208
5,585,578 A	12/1996	Shimotori .....	84/95.2
5,595,076 A	1/1997	Weinerman et al. ....	70/208
D389,393 S	1/1998	Hansen .....	D8/310
5,938,248 A	8/1999	Vickers et al. ....	292/36
5,984,383 A	11/1999	Parikh et al. ....	292/121
D427,882 S	7/2000	Wytcherley et al. ....	D8/331
D442,844 S	5/2001	Mirick .....	D8/301
D456,237 S	4/2002	Sokurenko et al. ....	D8/307
6,490,895 B1	12/2002	Weinerman et al. ....	70/208
D469,678 S	2/2003	Teskey .....	D8/301
6,513,353 B1	2/2003	Weinerman et al. ....	70/208
6,530,250 B1	3/2003	Linares et al. ....	70/208
6,532,778 B2	3/2003	Molzer et al. ....	70/208
6,623,052 B2	9/2003	Hansen .....	292/336.3
D484,024 S	12/2003	Teskey et al. ....	D8/331
6,666,053 B2	12/2003	Sadler .....	70/210
D488,994 S	4/2004	Hansen .....	D8/350
D490,292 S	5/2004	Hansen .....	D8/352
6,952,940 B2	10/2005	Molzer et al. ....	70/210
D520,328 S	5/2006	Hansen .....	D8/301
D523,726 S *	6/2006	Weinerman et al. ....	D8/307
D532,673 S *	11/2006	Weinerman et al. ....	D8/301
D539,635 S *	4/2007	Weinerman et al. ....	D8/343

**OTHER PUBLICATIONS**

Eberhard Catalog #109, pp. 102-104, Eberhard Manufacturing Co, Cleveland, Ohio 44149 Showing Products 9000-SS, 9001-SS & Related Items, ©2004.  
Eberhard Catalog #107, pp. 67-69, Eberhard Manufacturing Co., Cleveland, Ohio 44149 Showing Products 9000-SS, 9001-SS & Related Items, ©1996.

\* cited by examiner

*Primary Examiner*—Paula A. Greene  
(74) *Attorney, Agent, or Firm*—David A. Burge



(57)

**CLAIM**

We claim the ornamental design for front portion of a handle and housing assembly, as shown and described.

**DESCRIPTION**

FIG. 1 is a front perspective view of a front portion of a handle and housing assembly showing our new design;

FIG. 2 is a front view thereof;

FIG. 3 is a left side view thereof, it being understood that a right side view is identical hereto but a mirror image reversal hereof;

FIG. 4 is a top view thereof;

FIG. 5 is a bottom view thereof;

FIG. 6 is a front perspective view of a second embodiment of a front portion of a handle and housing assembly showing our new design, the only difference being the extended handle;

FIG. 7 is a front view thereof;

FIG. 8 is a left side view thereof, it being understood that a right side view is identical hereto but a mirror image reversal hereof;

FIG. 9 is a top view thereof;

FIG. 10 is a bottom view thereof;

FIG. 11 is a perspective view showing front and left side features of a third form of our new design;

FIG. 12 is a front view thereof;

FIG. 13 is a left side view thereof, it being understood that a right side view is identical hereto but a mirror image reversal hereof;

FIG. 14 is a top view thereof;

FIG. 15 is a bottom view thereof;

FIG. 16 is a perspective view showing front and left side features of a fourth form of our new design which includes the features of the third form but with the handle pivoted to an extended position;

FIG. 17 is a front view thereof;

FIG. 18 is a left side view thereof, it being understood that a right side view is identical hereto but a mirror image reversal hereof;

FIG. 19 is a top view thereof; and,

FIG. 20 is a bottom view thereof.

The broken line disclosure of other elements of a handle and housing assembly is provided for illustrative purposes only and forms no part of the claimed design.

**1 Claim, 12 Drawing Sheets**

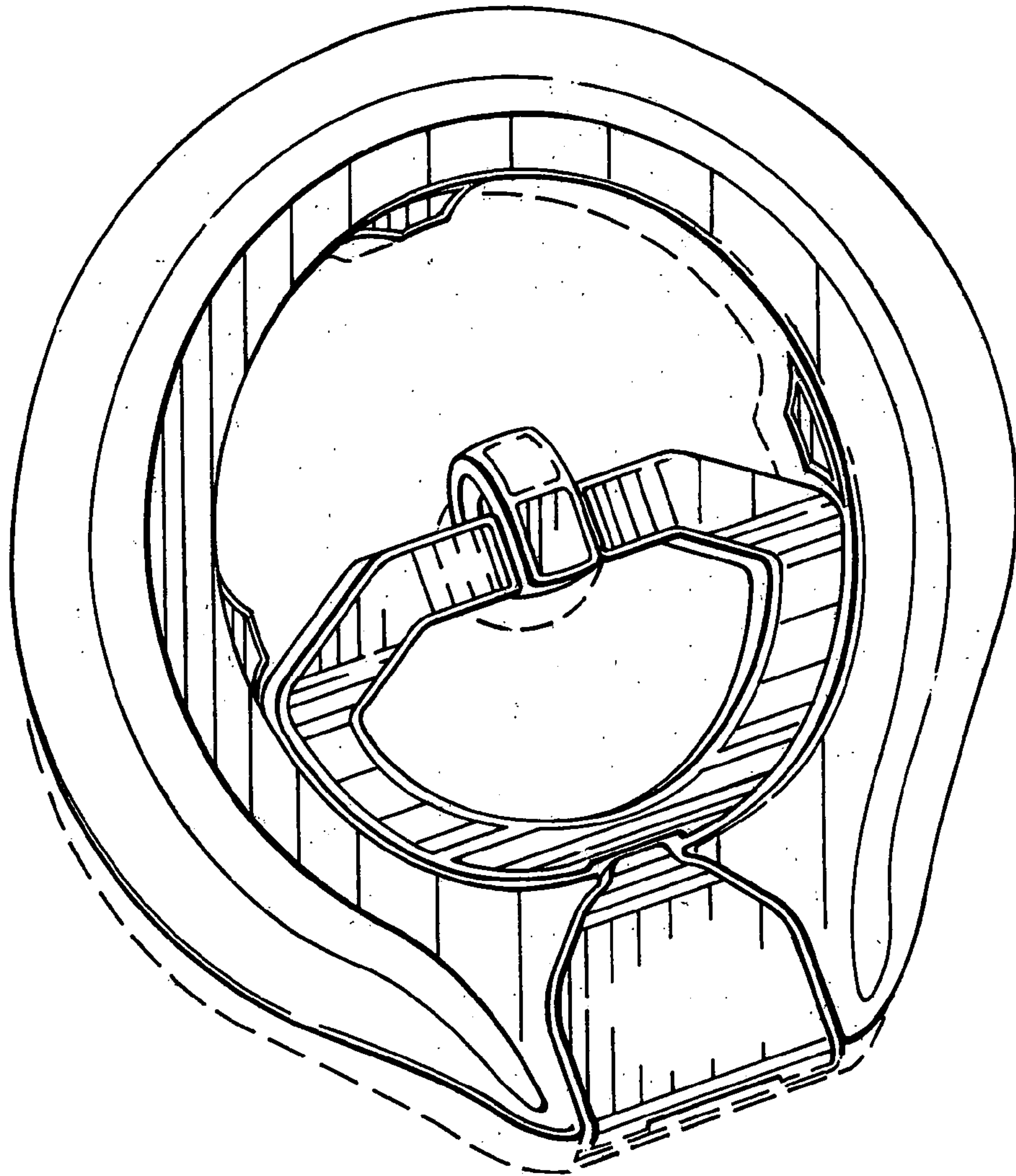


FIG. 1



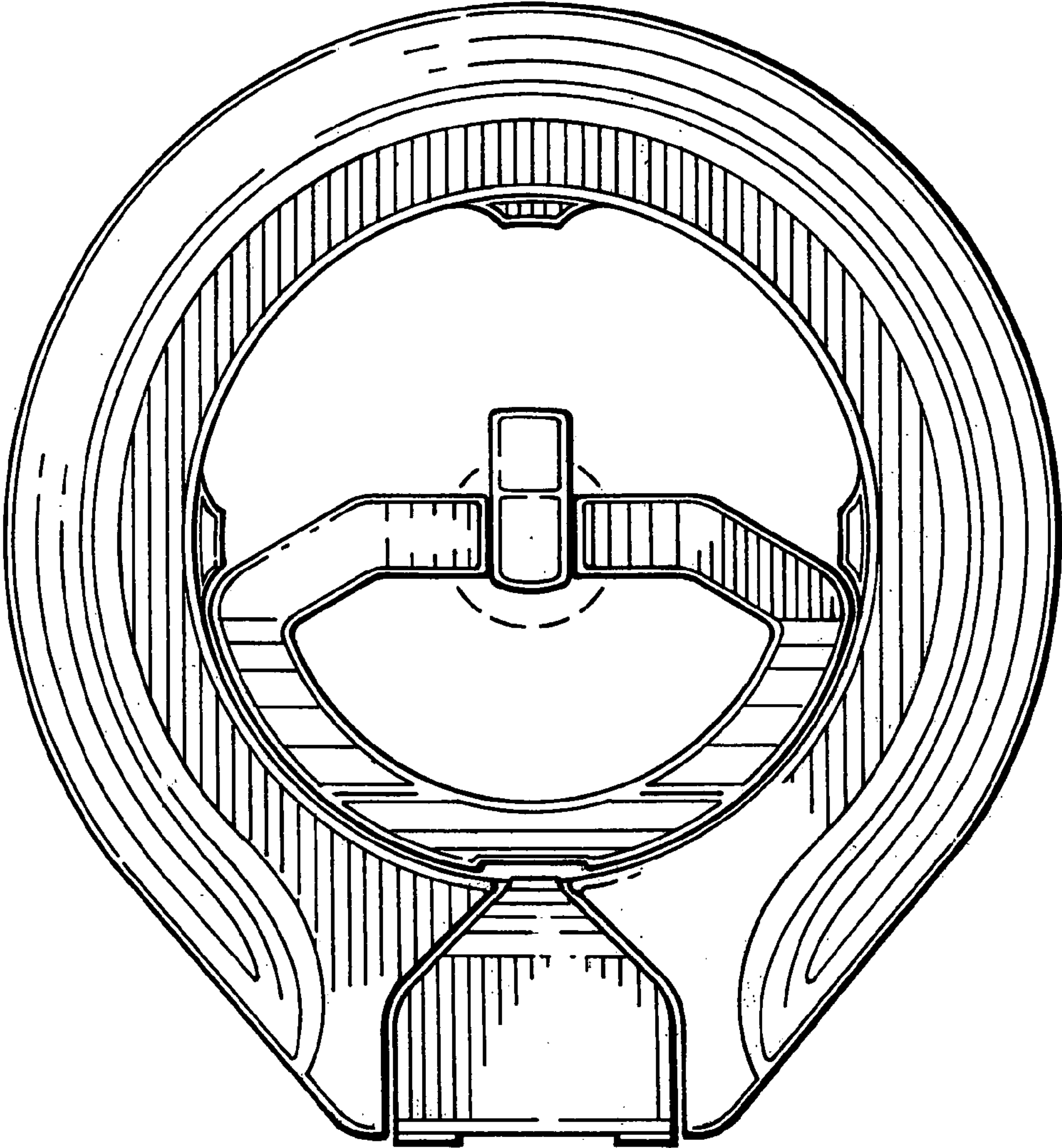


FIG. 2

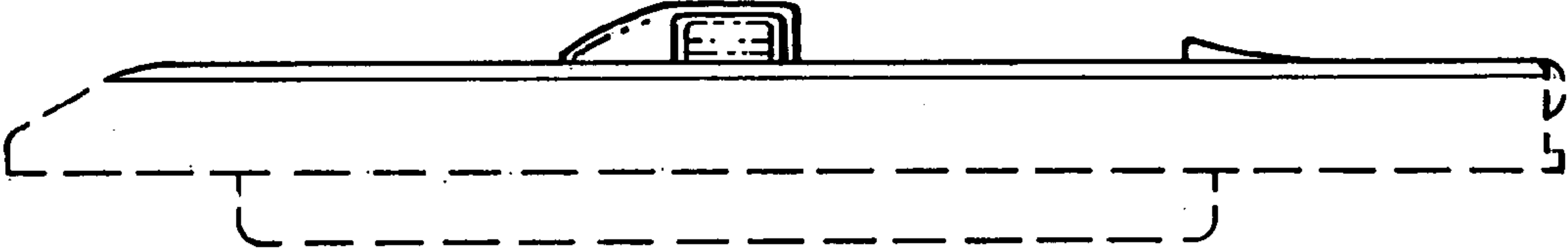


FIG. 3



FIG. 4



FIG. 5

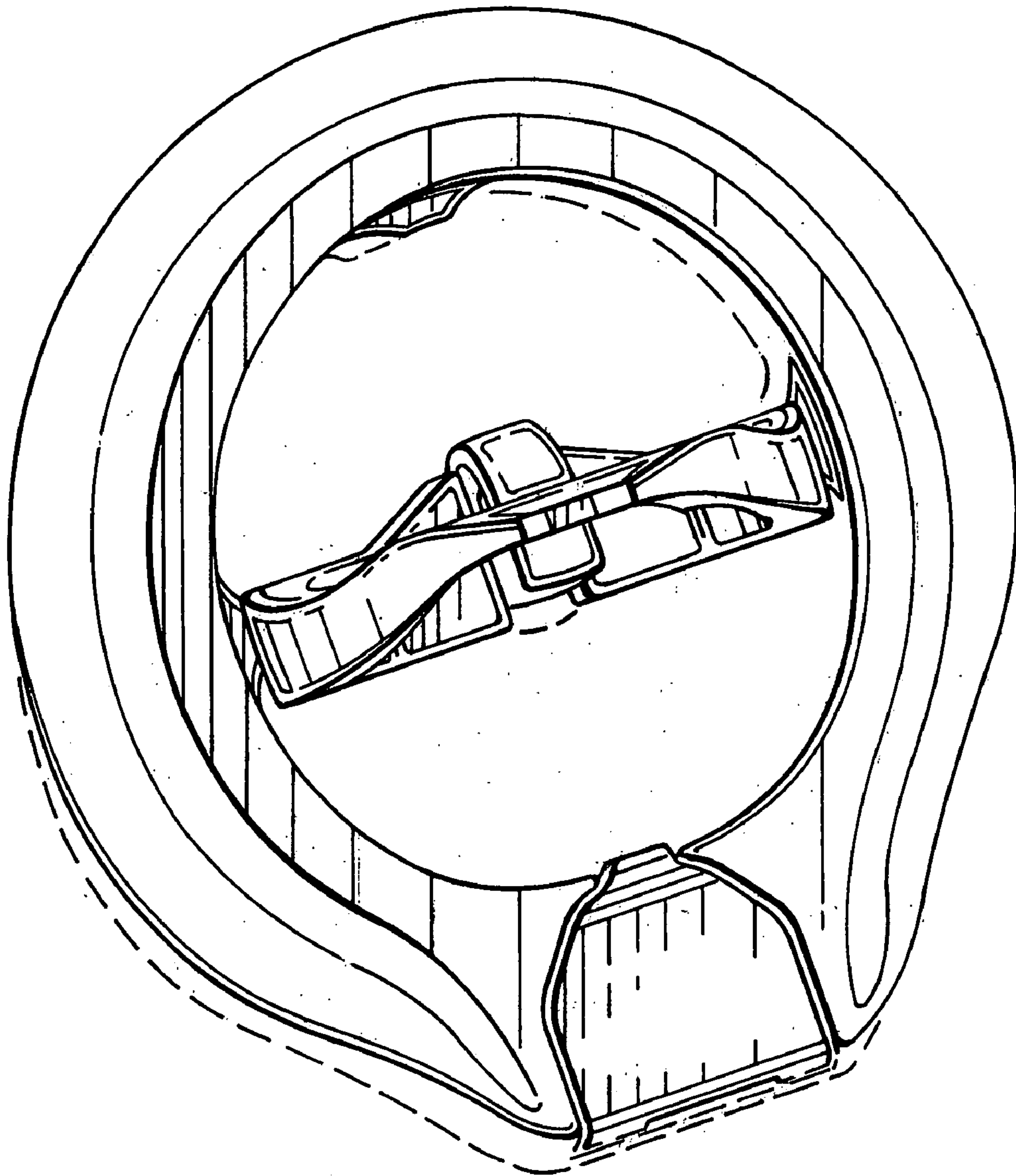


FIG. 6

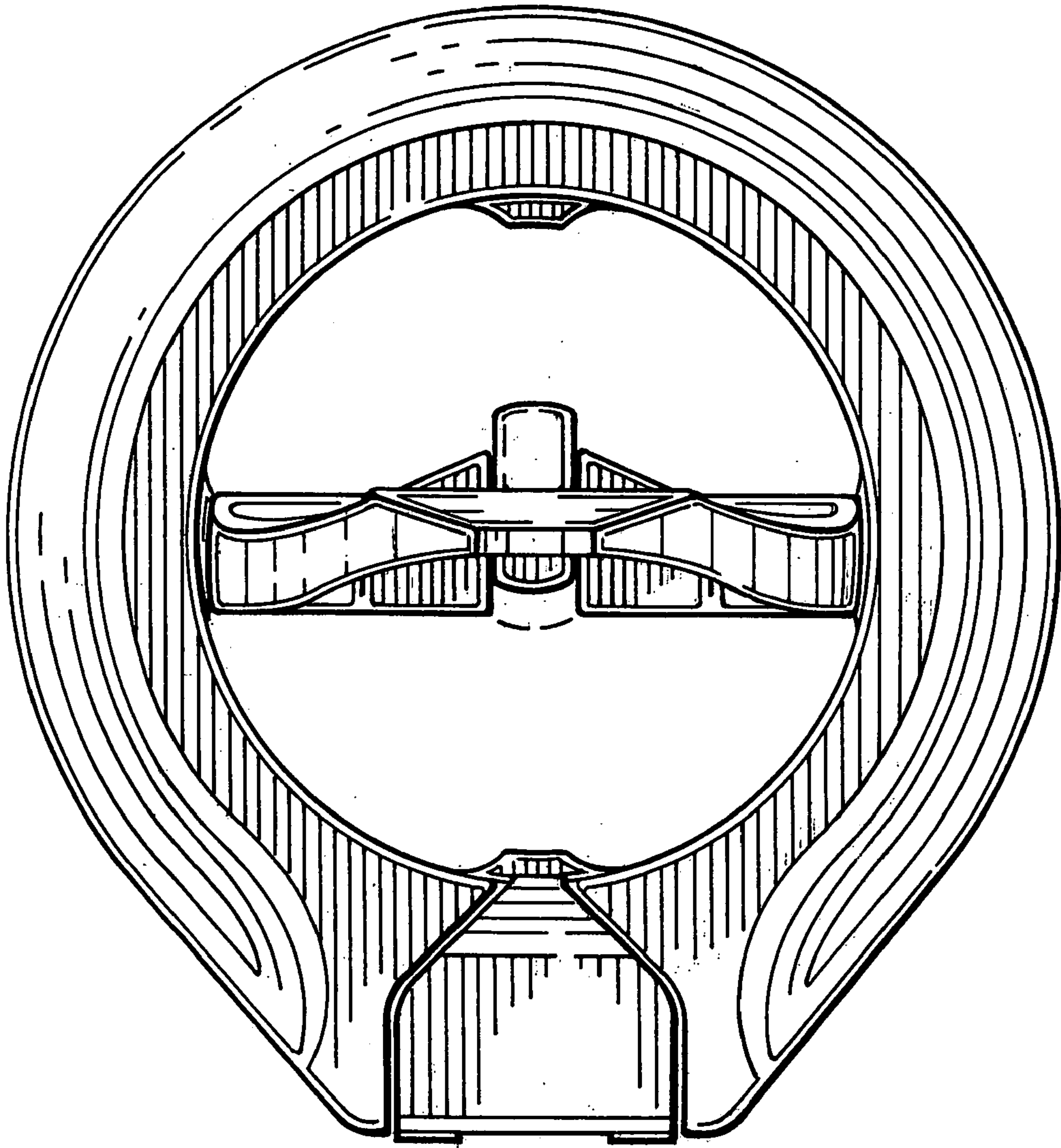


FIG. 7

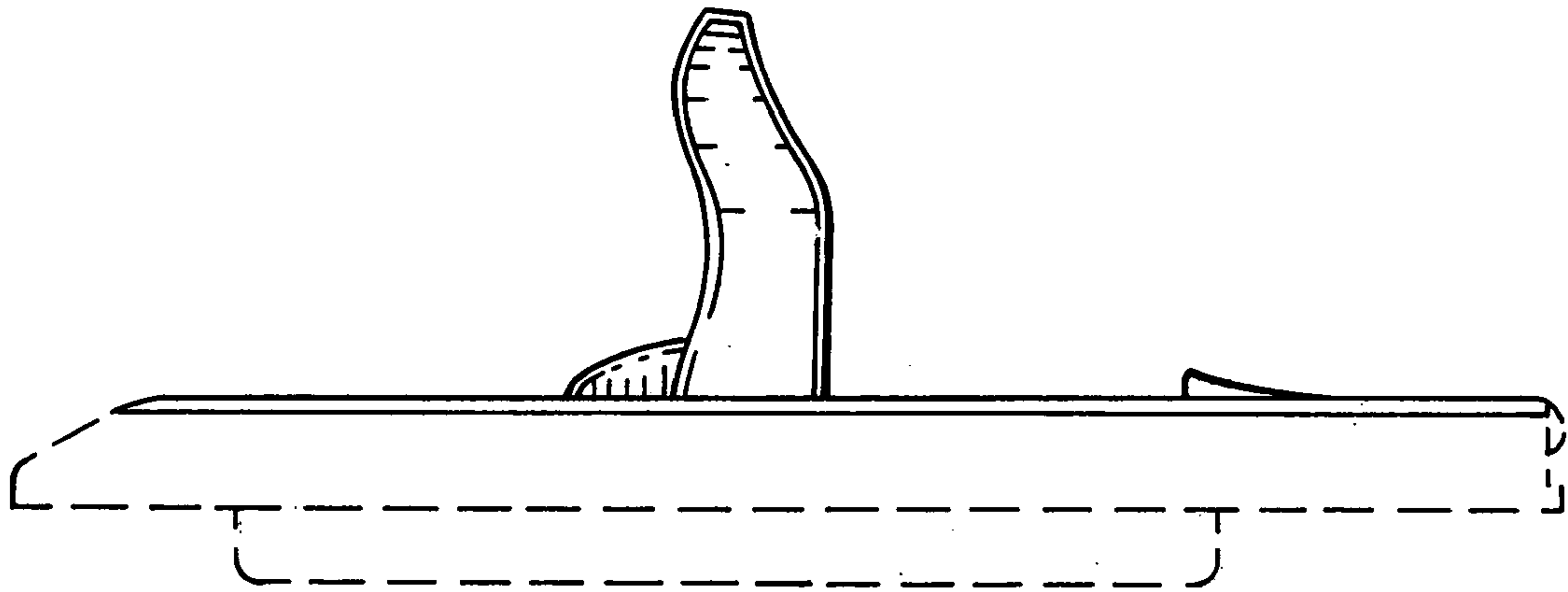


FIG. 8

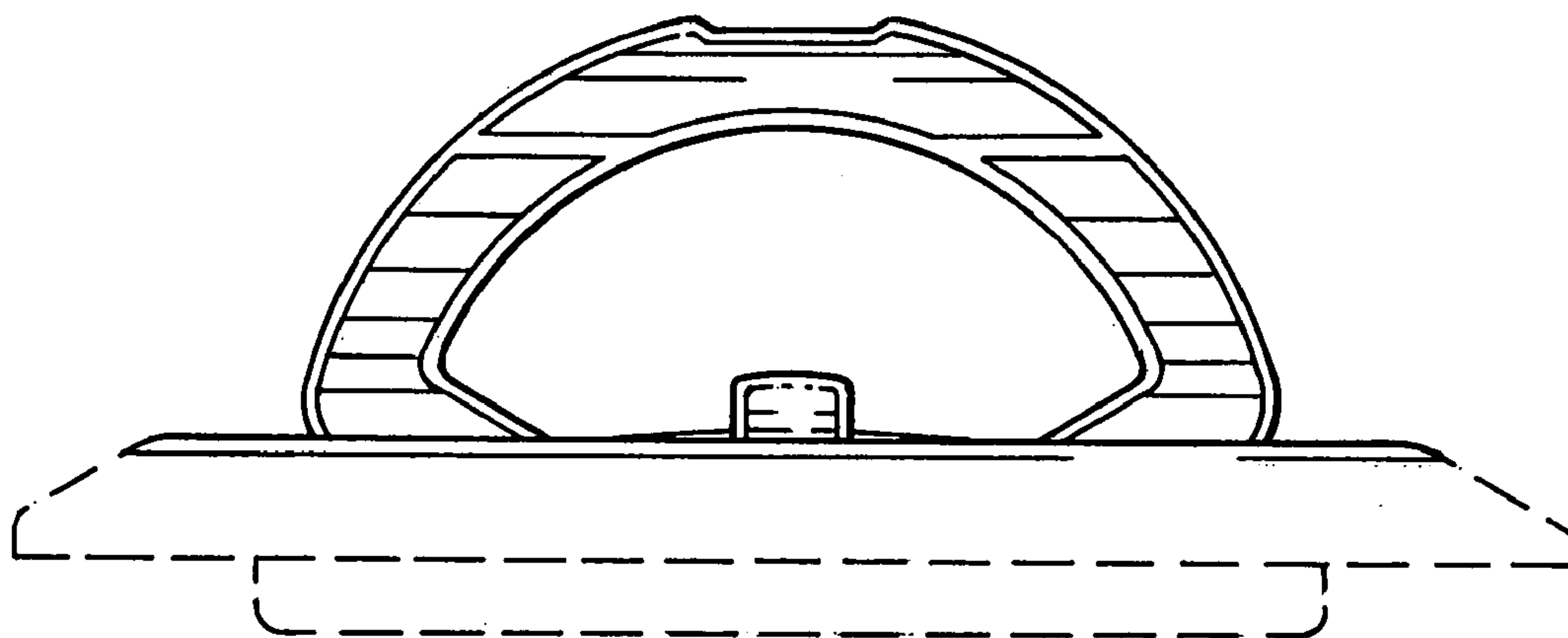


FIG. 9

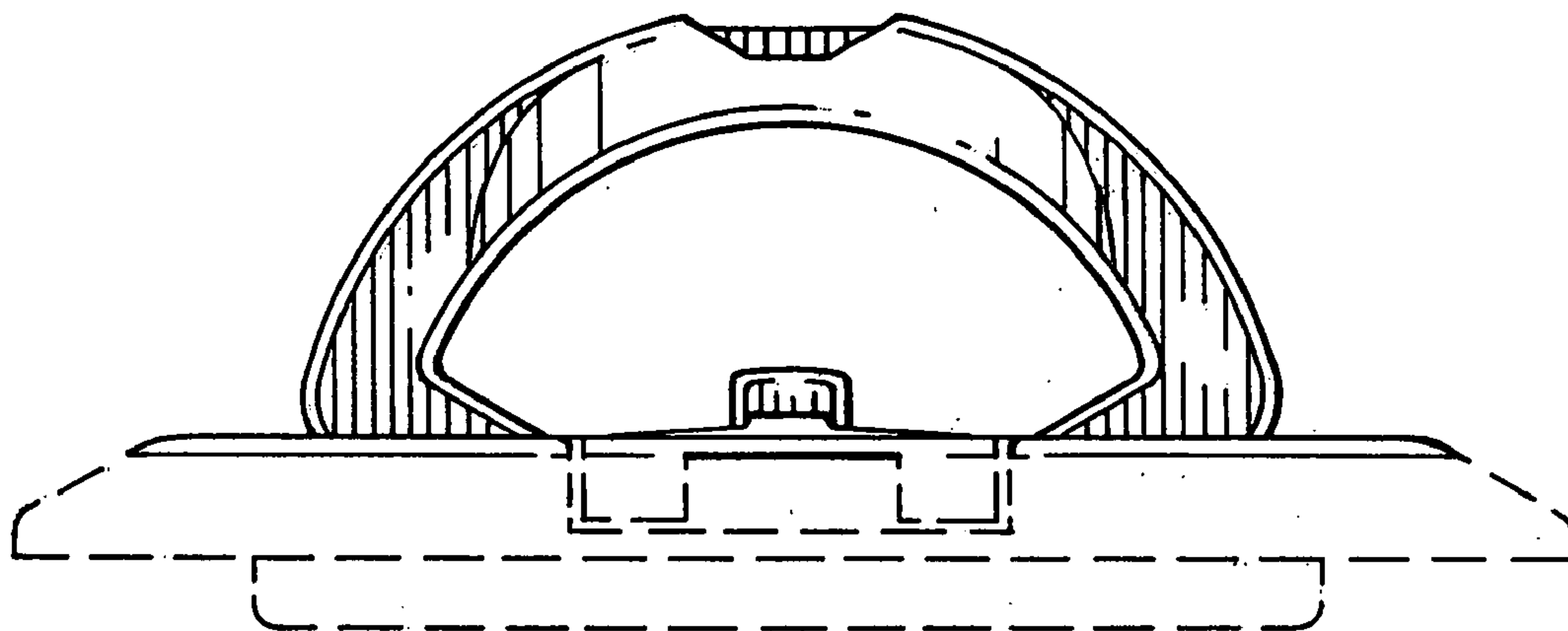


FIG. 10



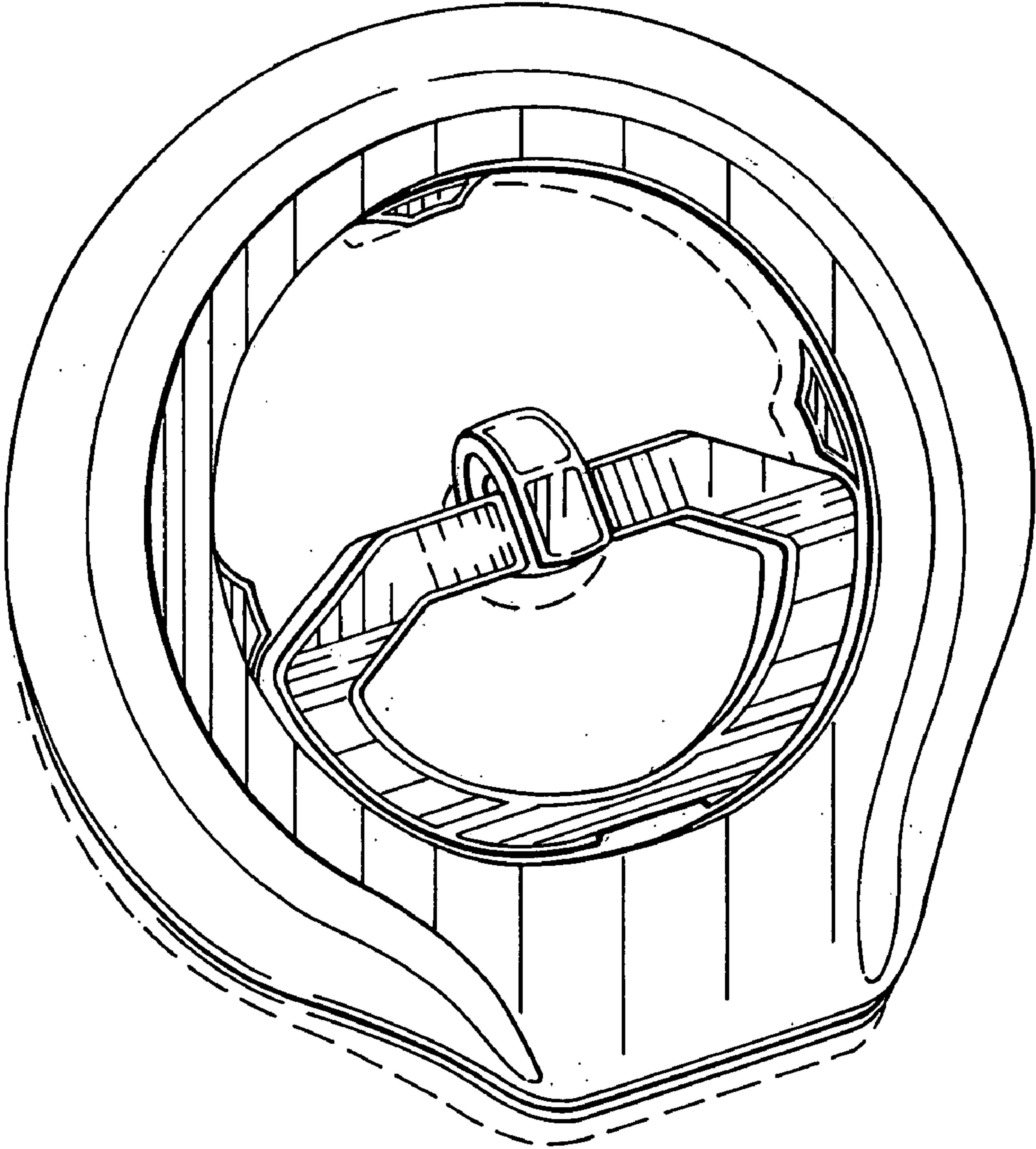


FIG. II

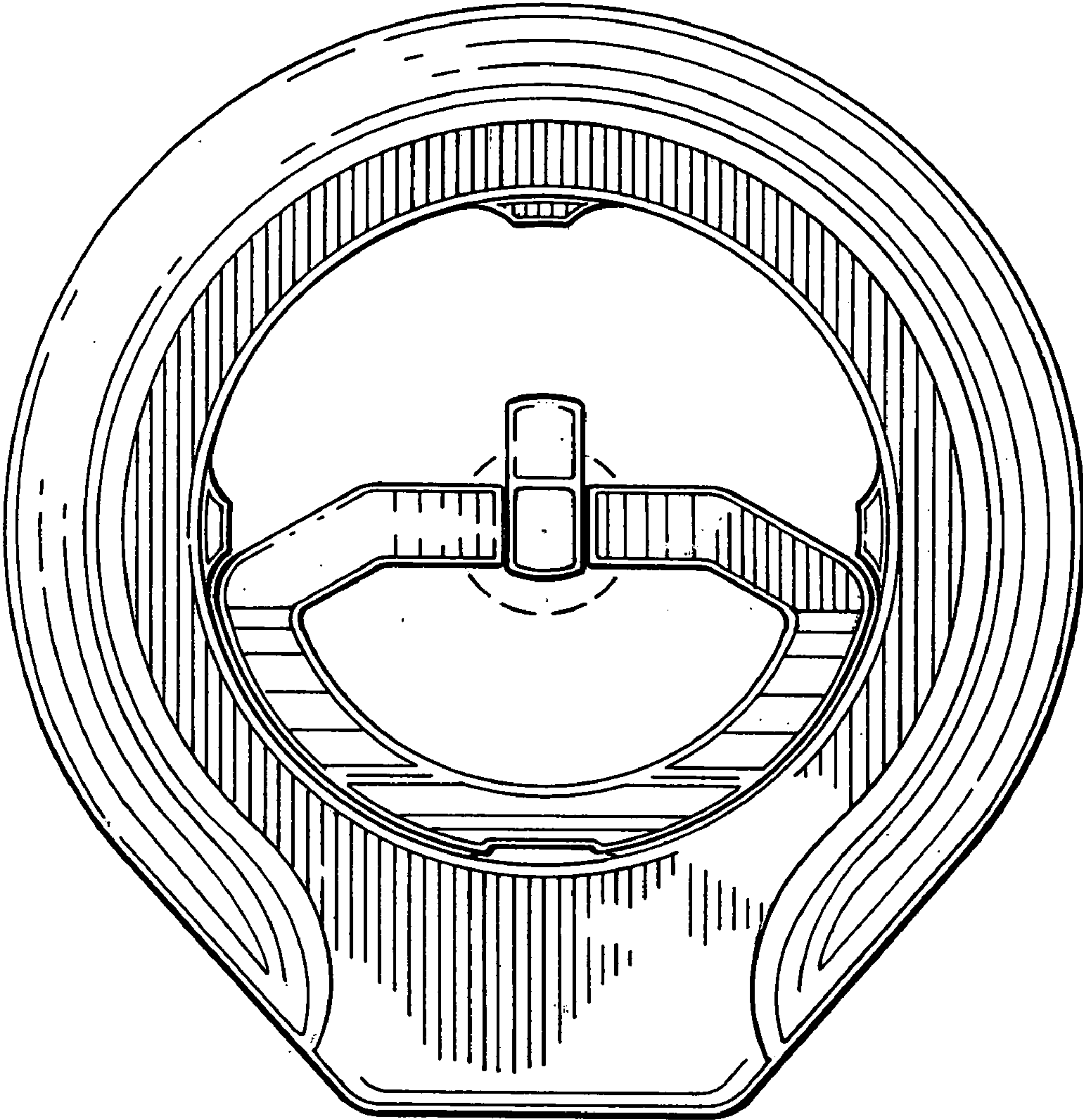


FIG. 12

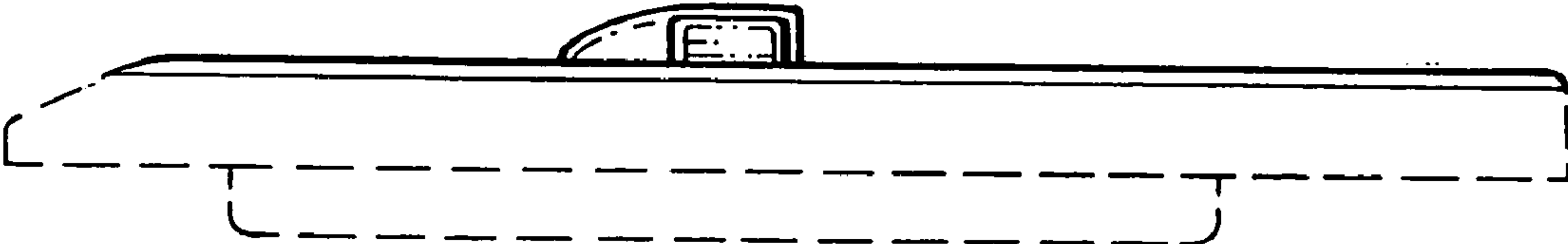


FIG. 13



FIG. 14



FIG. 15

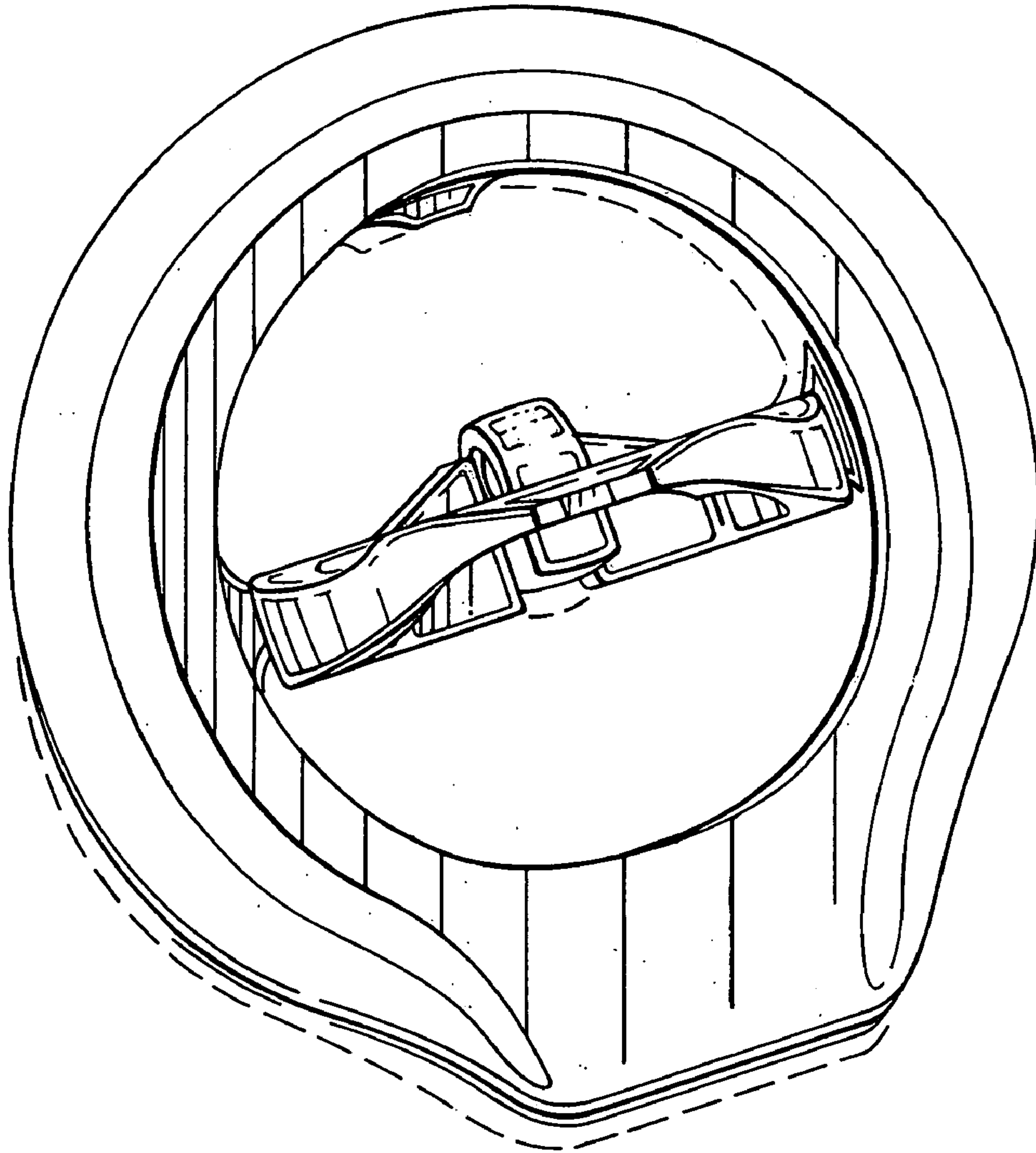


FIG. 16



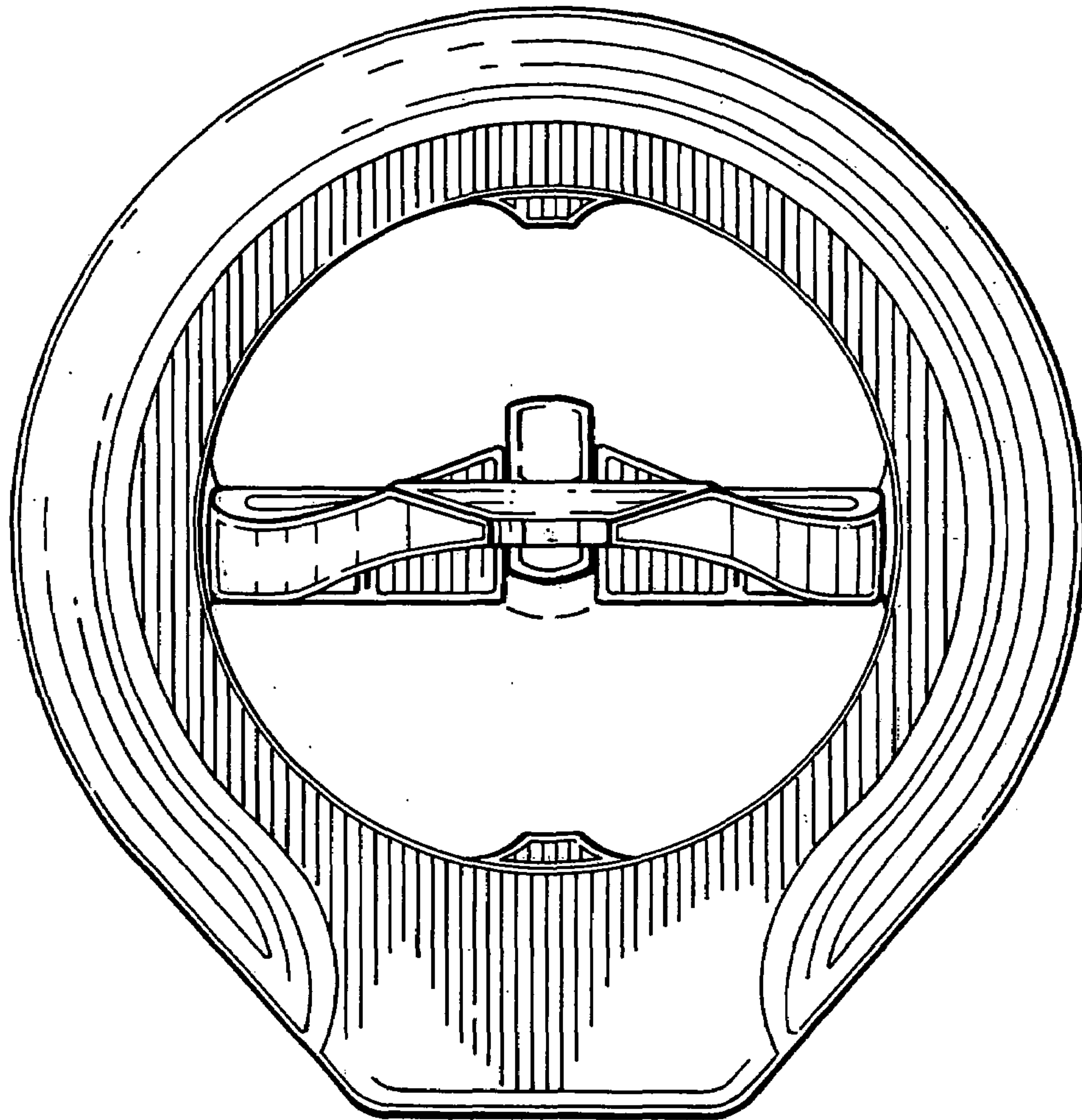


FIG. 17

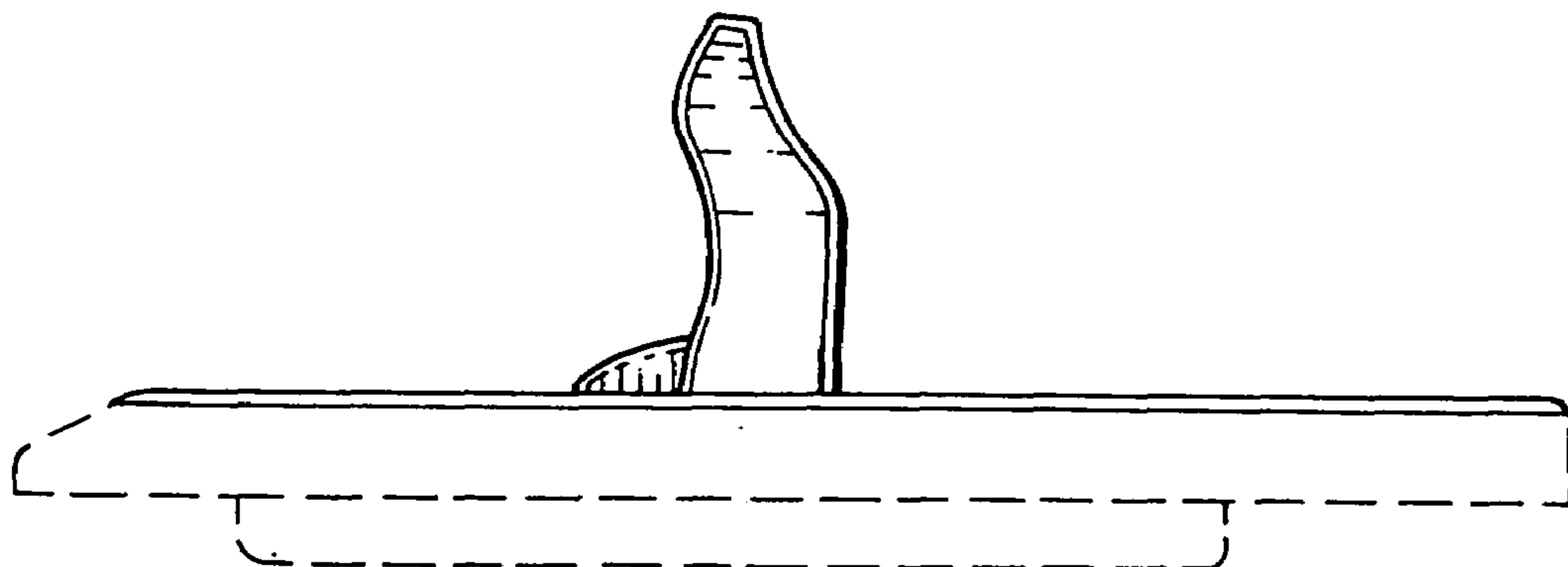


FIG. 18

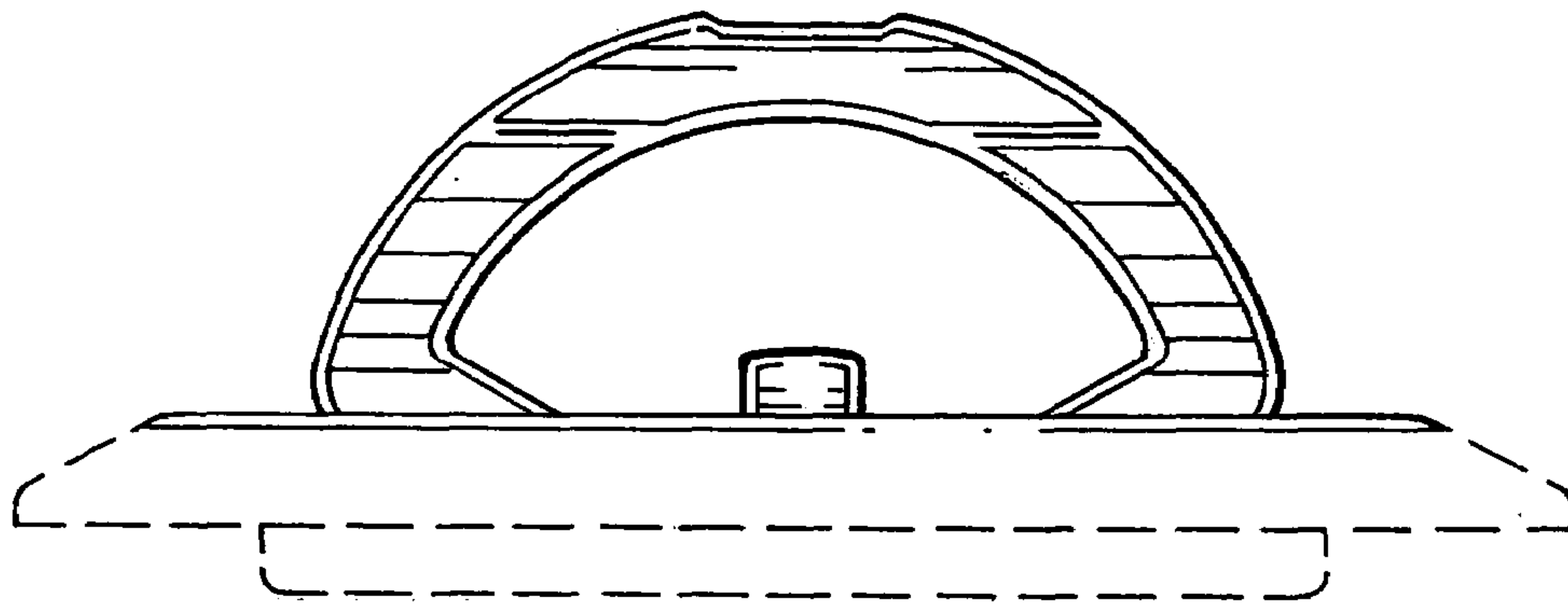


FIG. 19

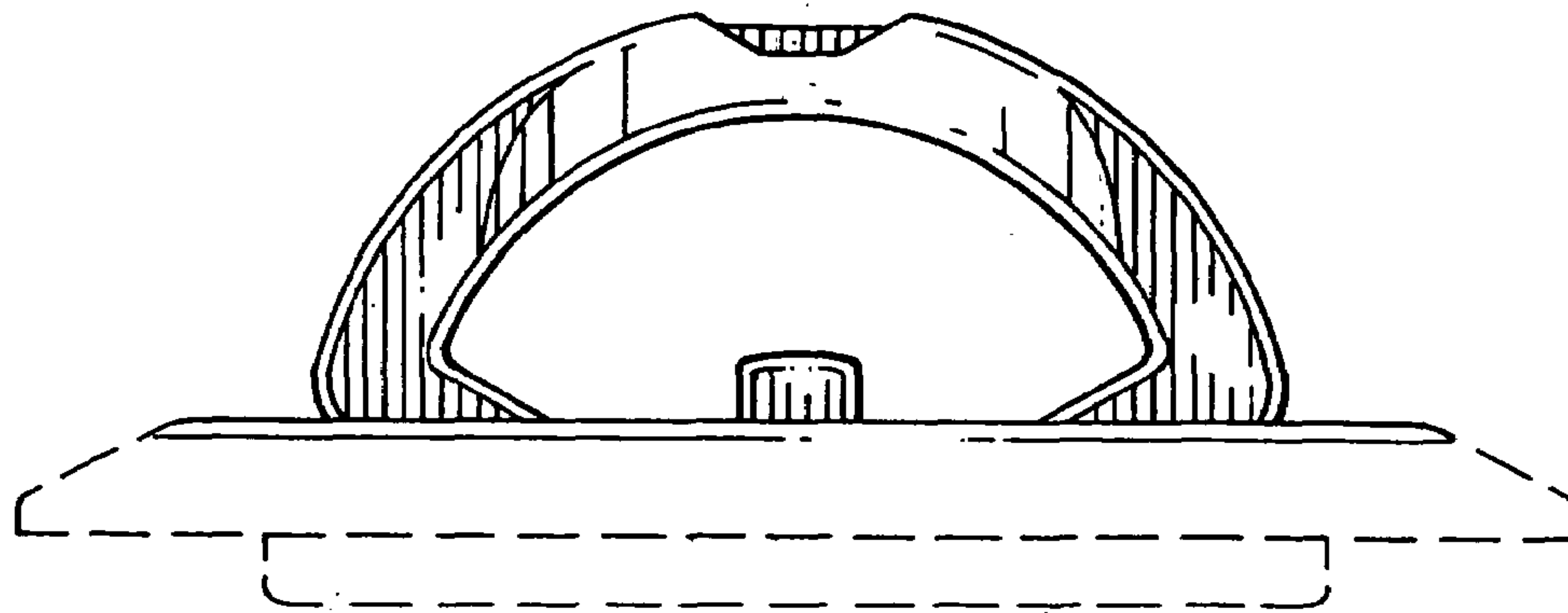


FIG. 20

UNITED STATES PATENT AND TRADEMARK OFFICE  
**CERTIFICATE OF CORRECTION**

PATENT NO. : Des. 558,556 S  
APPLICATION NO. : 29/251236  
DATED : January 1, 2008  
INVENTOR(S) : Lee S. Weinerman et al.

Page 1 of 1

It is certified that error appears in the above-identified patent and that said Letters Patent is hereby corrected as shown below:

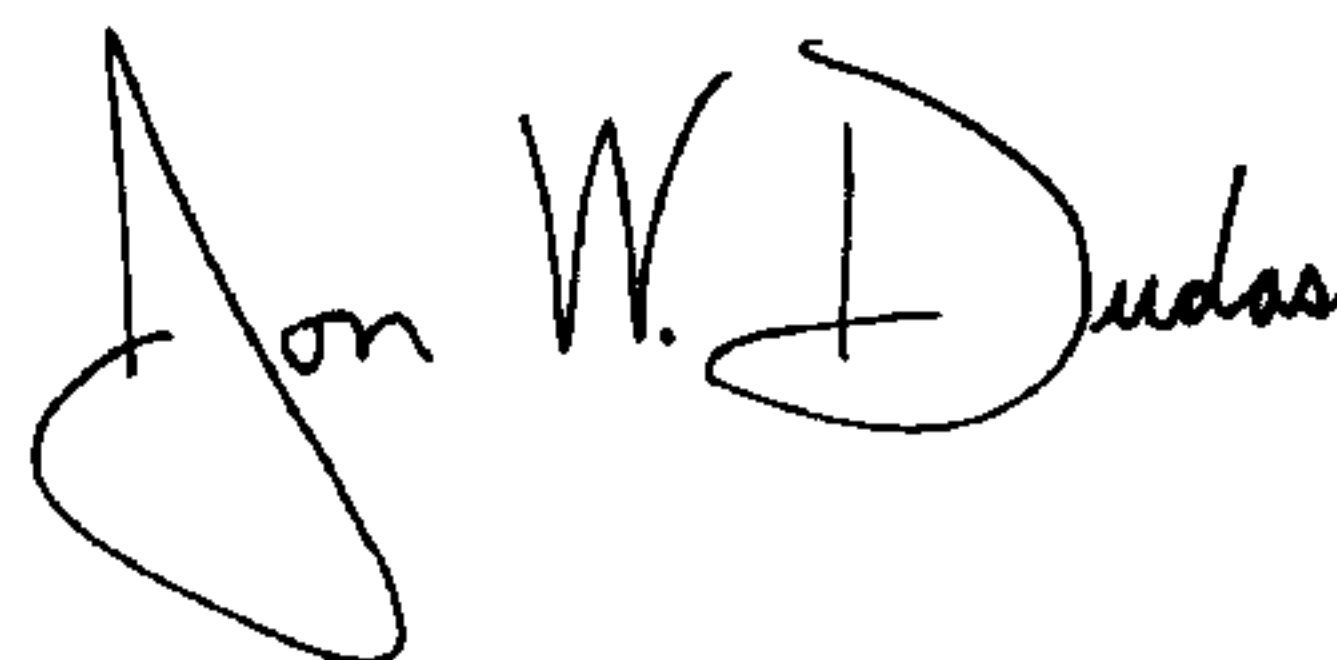
Cancel FIGURES 11-20 and the descriptions of FIGURES 11-20.

Title Page, Page 2,

At the end of the description of FIGURE 10, cancel “;” and substitute --,--

Signed and Sealed this

Twentieth Day of May, 2008

A handwritten signature in black ink that reads "Jon W. Dudas". The signature is written in a cursive style with a large, stylized initial "J".

JON W. DUDAS

*Director of the United States Patent and Trademark Office*