



US00D558550S

(12) **United States Design Patent**
McRoberts et al.

(10) **Patent No.:** **US D558,550 S**

(45) **Date of Patent:** **** Jan. 1, 2008**

(54) **RECIPROCATING SAW**

(75) Inventors: **Jason McRoberts**, Red Lion, PA (US);
Terry L. Turner, Towson, MD (US);
Jason Busschaert, Towson, MD (US);
Ruth Mitchener, Baltimore, MD (US);
Vincent P. Cooper, Baltimore, MD (US)

(73) Assignee: **Black & Decker Inc.**, Newark, DE (US)

(**) Term: **14 Years**

(21) Appl. No.: **29/266,153**

(22) Filed: **Sep. 15, 2006**

Related U.S. Application Data

(63) Continuation-in-part of application No. 29/255,593, filed on Mar. 9, 2006, and a continuation-in-part of application No. 29/255,594, filed on Mar. 9, 2006.

(51) **LOC (8) Cl.** **08-03**

(52) **U.S. Cl.** **D8/64**

(58) **Field of Classification Search** D8/69,
D8/68, 67, 66, 65, 64, 62, 61; 30/92, 394,
30/393, 392, 377, 376, 371; 74/50, 49; 173/217,
173/216; 83/699.21; 446/145
See application file for complete search history.

(56) **References Cited**

U.S. PATENT DOCUMENTS

D434,627 S * 12/2000 Buck D8/64
D440,849 S * 4/2001 Sakai et al. D8/64
D479,453 S * 9/2003 Lind et al. D8/64
D480,616 S * 10/2003 Welsh D8/64
D504,603 S * 5/2005 Xiaoxian D8/64

D506,117 S * 6/2005 Sun et al. D8/64
6,912,790 B2 * 7/2005 James et al. 30/392
D524,130 S * 7/2006 Wolf et al. D8/64
D524,132 S * 7/2006 Welsh D8/64
D525,842 S * 8/2006 Andriolo D8/64
D527,596 S * 9/2006 Andriolo D8/64
D527,597 S * 9/2006 Andriolo D8/64
D534,778 S * 1/2007 Chu D8/64

* cited by examiner

Primary Examiner—Cathron C. Brooks

Assistant Examiner—Austin Murphy

(74) *Attorney, Agent, or Firm*—John Yun; Bruce S. Shapiro; Wesley Muller

(57) **CLAIM**

The ornamental design for a reciprocating saw, as shown and described.

DESCRIPTION

FIG. 1 is a perspective view of a reciprocating saw showing the new design.

FIG. 2 is a front view of a reciprocating saw according to FIG. 1.

FIG. 3 is a rear view of a reciprocating saw according to FIG. 1.

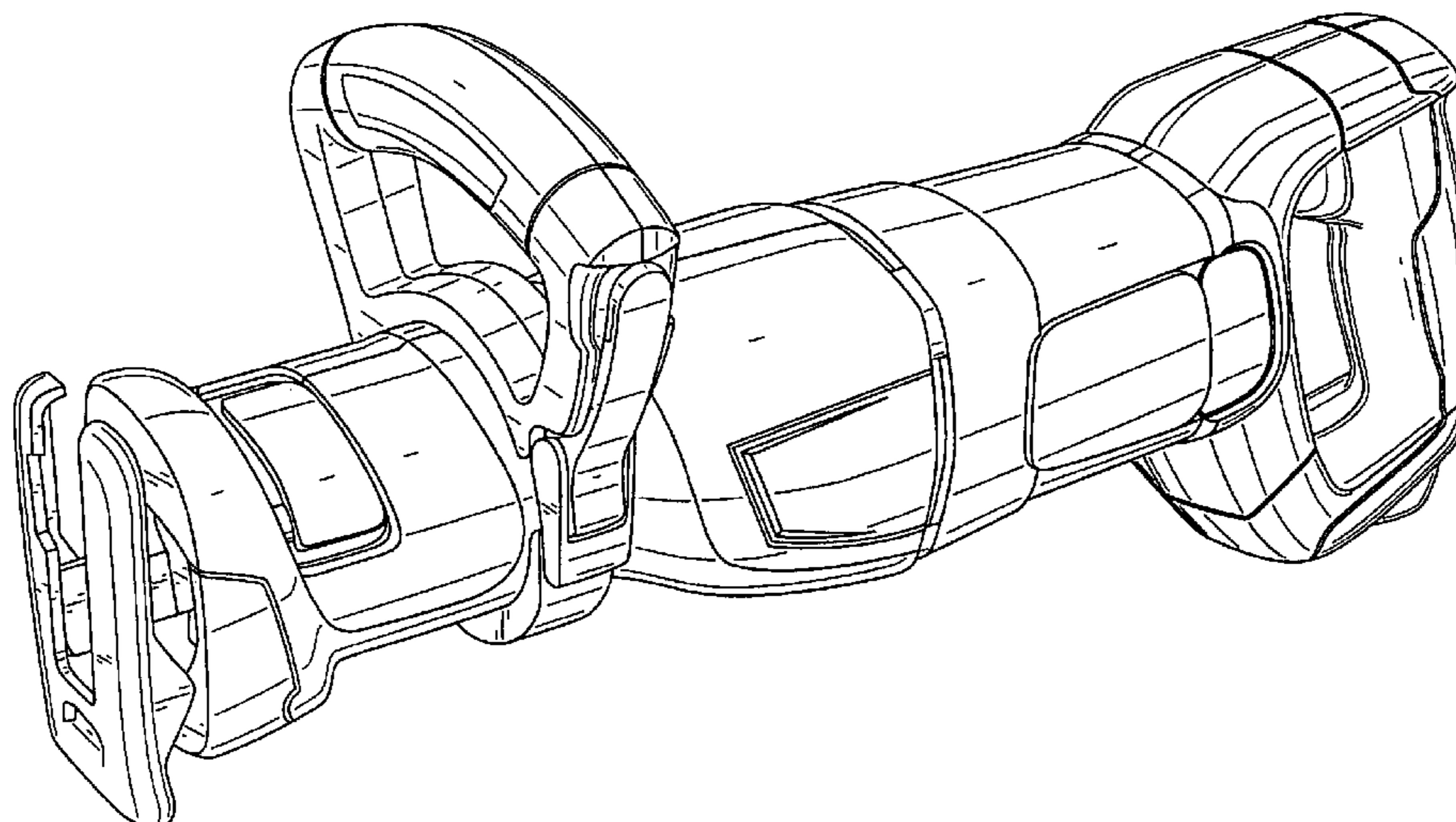
FIG. 4 is a right side view of a reciprocating saw according to FIG. 1.

FIG. 5 is a left side view of a reciprocating saw according to FIG. 1.

FIG. 6 is a top view of a reciprocating saw according to FIG. 1; and,

FIG. 7 is a bottom view of a reciprocating saw according to FIG. 1.

1 Claim, 5 Drawing Sheets



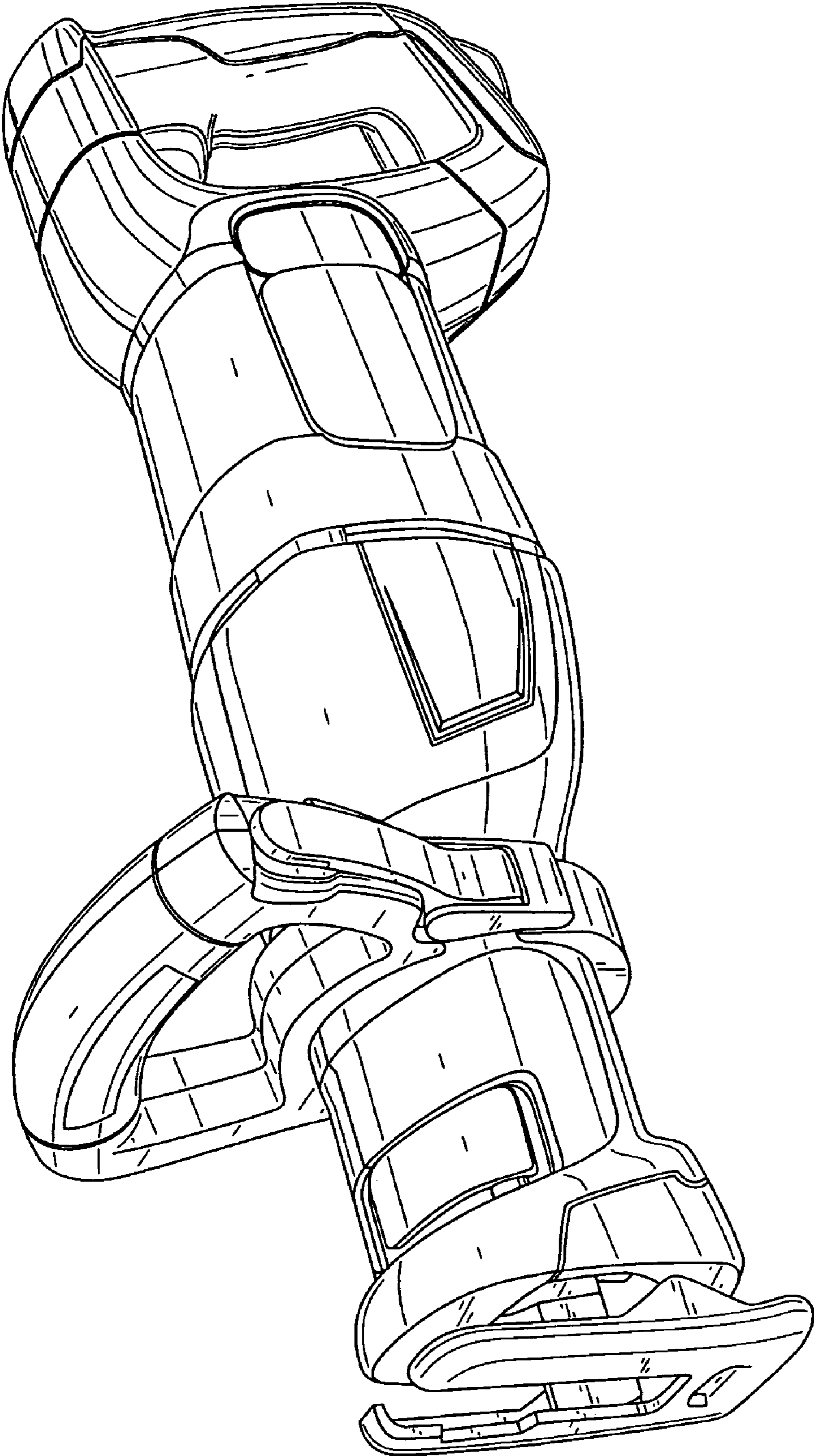


FIG. 1

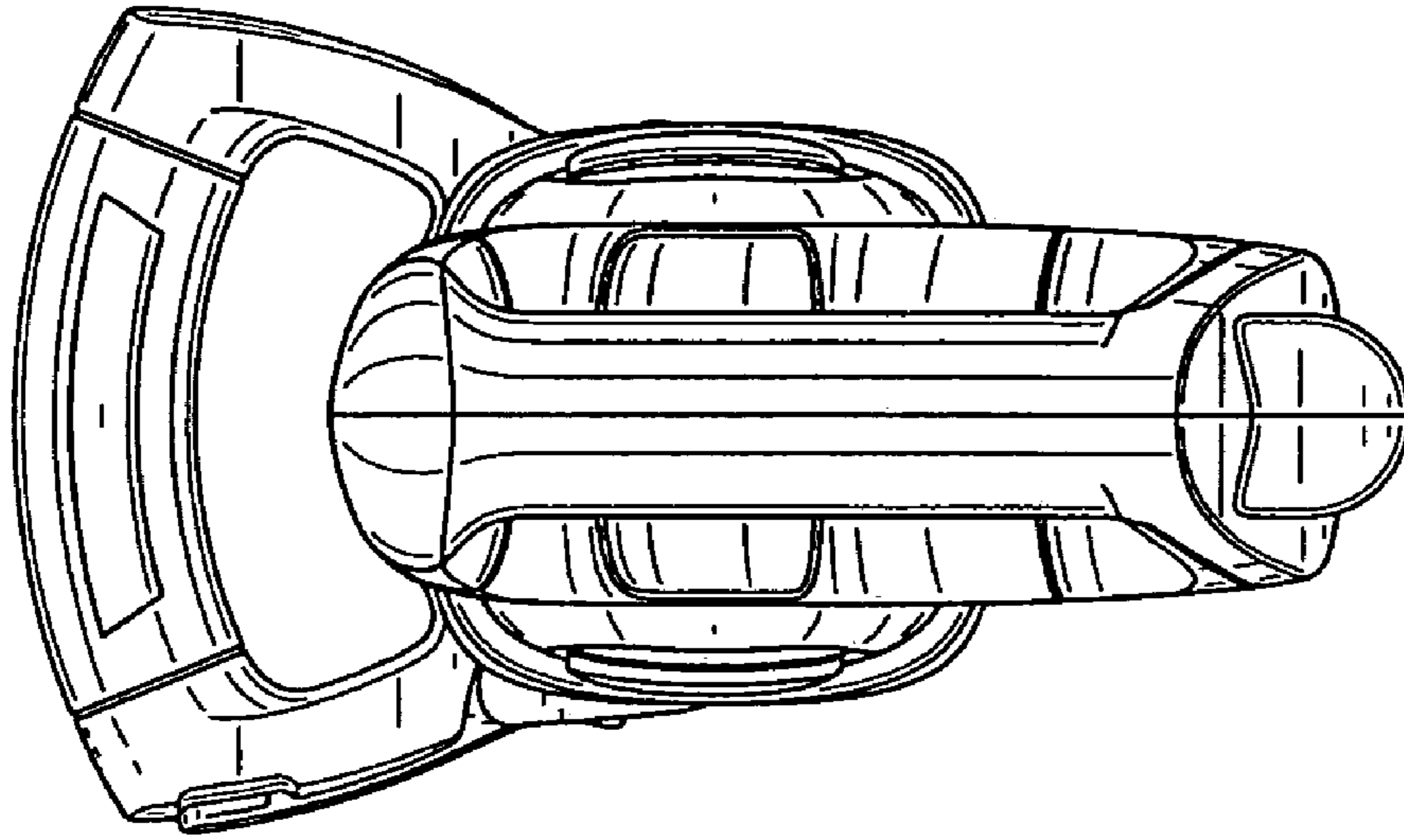


FIG. 3

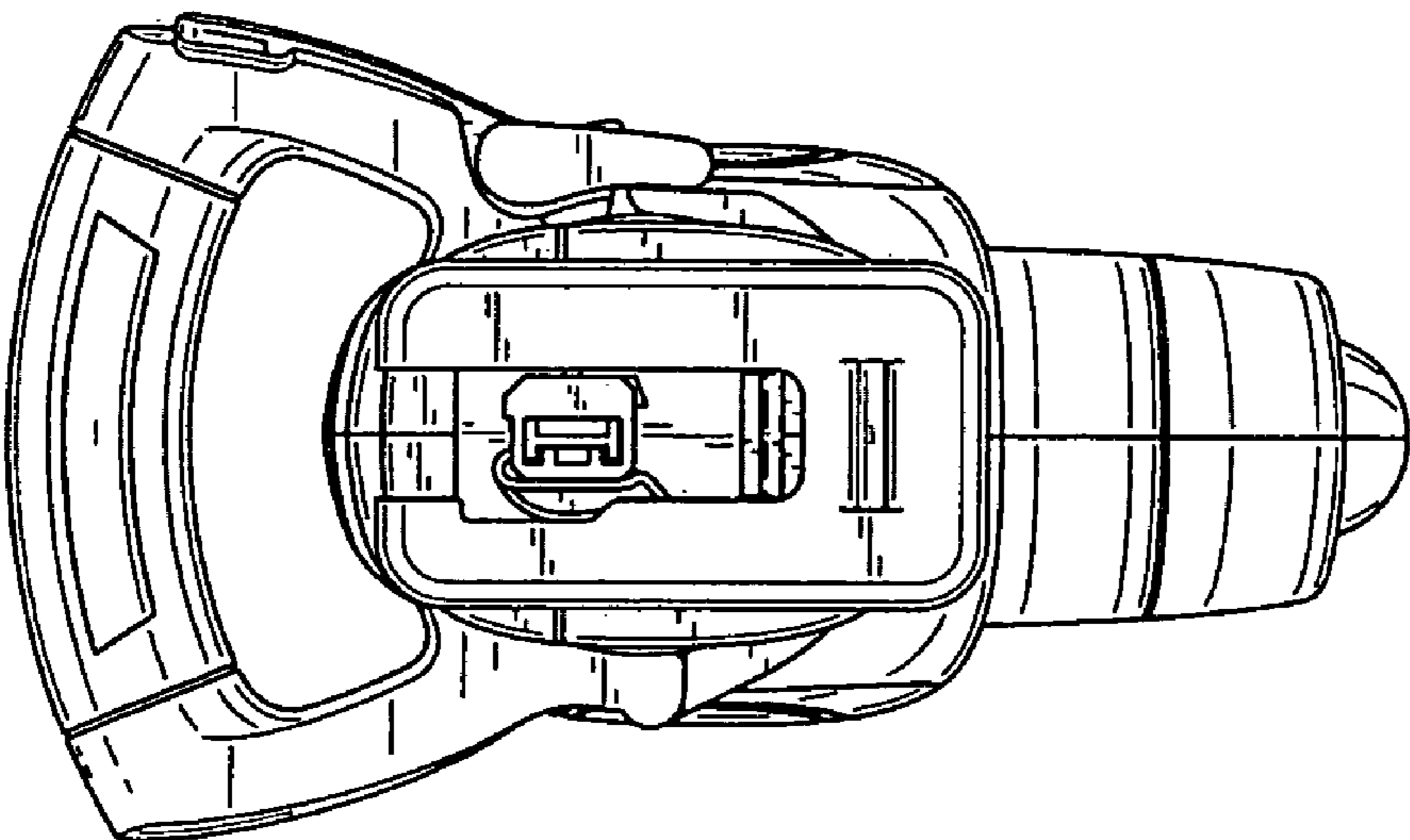


FIG. 2

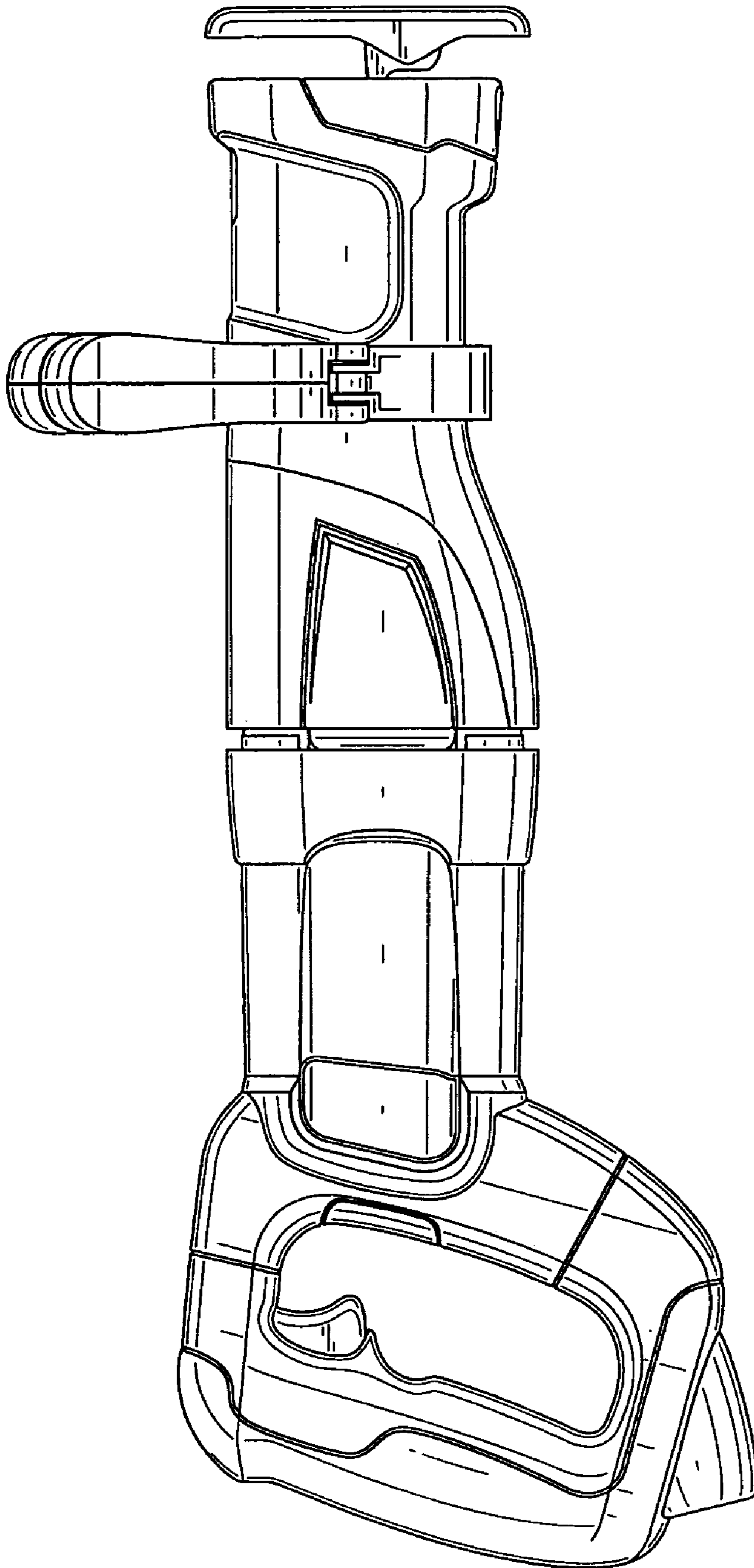


FIG. 4

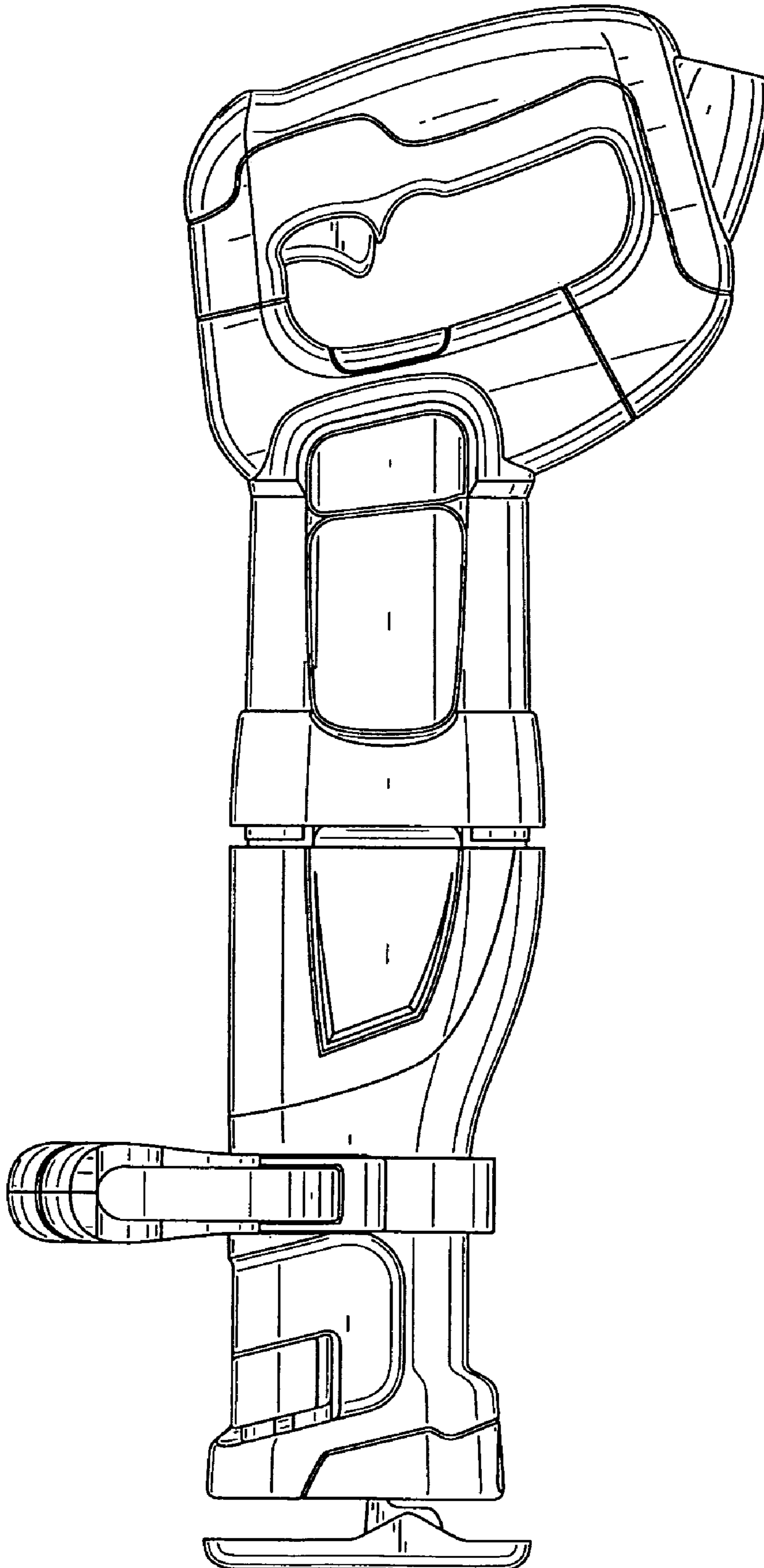


FIG. 5

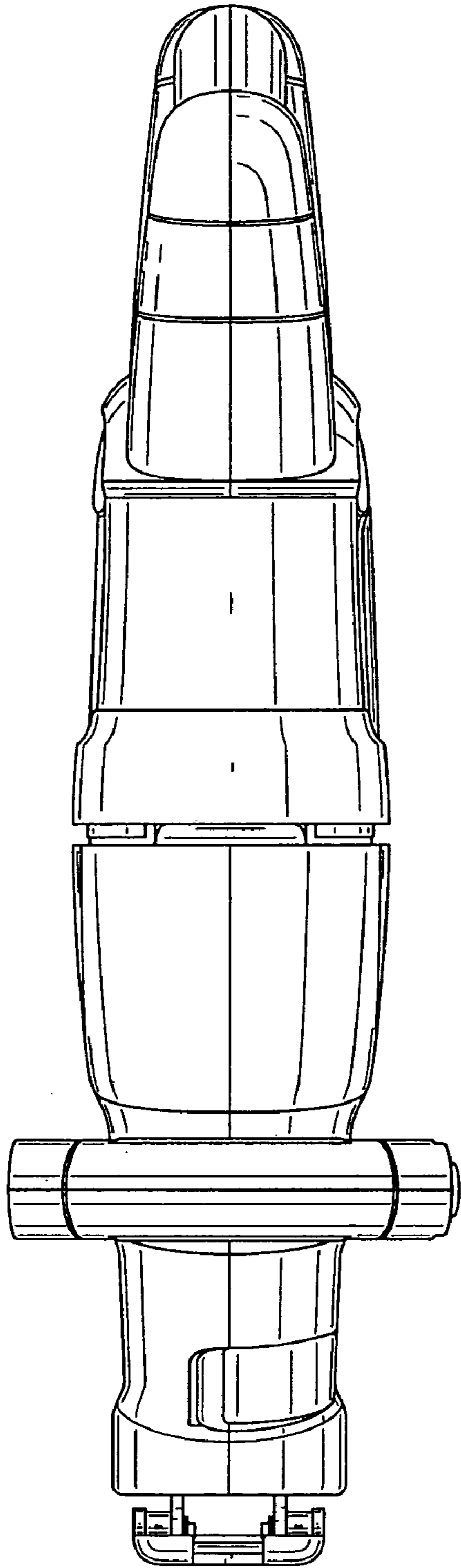


FIG. 6

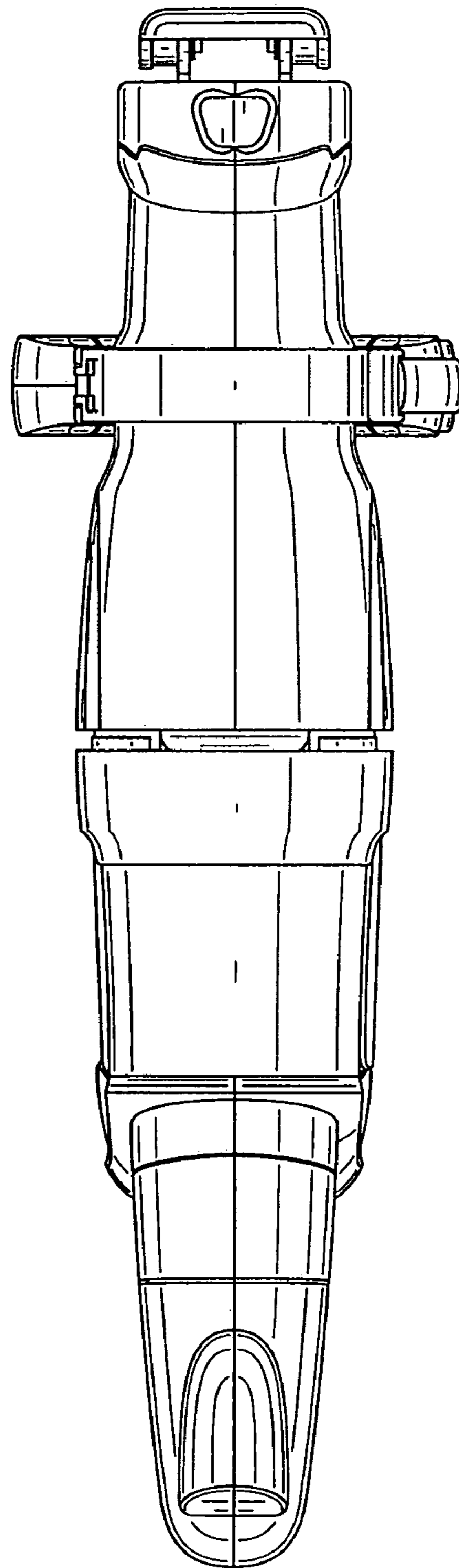


FIG. 7