



US00D558549S

(12) **United States Design Patent**  
**Ozaki-Owen**

(10) **Patent No.:** **US D558,549 S**

(45) **Date of Patent:** **\*\* Jan. 1, 2008**

(54) **SMOKE DETECTOR REMOVAL TOOL**

(75) Inventor: **Eddie Ozaki-Owen**, Welham Green  
(GB)

(73) Assignee: **No Climb Products Limited** (GB)

(\*\*) Term: **14 Years**

(21) Appl. No.: **29/217,384**

(22) Filed: **Nov. 16, 2004**

(51) **LOC (8) Cl.** ..... **08-01**

(52) **U.S. Cl.** ..... **D8/61**

(58) **Field of Classification Search** ..... D8/89,  
D8/70, 51, 321, 29, 21, 14, 63, 91, 93; D32/35;  
81/64, 53.12, 53.11; 292/347; 29/274; 451/163,  
451/193, 241, 259, 267, 282, 293; 76/82  
See application file for complete search history.

(56) **References Cited**

**U.S. PATENT DOCUMENTS**

2,029,753	A *	2/1936	Berkman	.....	451/550
D202,979	S *	11/1965	Krusche	.....	D32/35
3,877,185	A *	4/1975	Wells	.....	451/496
D269,471	S *	6/1983	Auerbach	.....	D32/35
D297,499	S *	9/1988	Whitney	.....	D8/14

D297,803	S *	9/1988	Rooney	.....	D8/70
D298,006	S *	10/1988	Cooley	.....	D8/14
D344,662	S *	3/1994	Dittman	.....	D8/14
D361,246	S *	8/1995	Peacock	.....	D8/14
D400,768	S *	11/1998	Mason	.....	D8/14
D490,668	S *	6/2004	Bolin	.....	D8/14
D518,341	S *	4/2006	Lowen	.....	D8/14
D519,338	S *	4/2006	Lowen	.....	D8/14

\* cited by examiner

*Primary Examiner*—Cathron C. Brooks

*Assistant Examiner*—Austin Murphy

(74) *Attorney, Agent, or Firm*—Renner, Kenner, Greive,  
Bobak, Taylor, & Weber

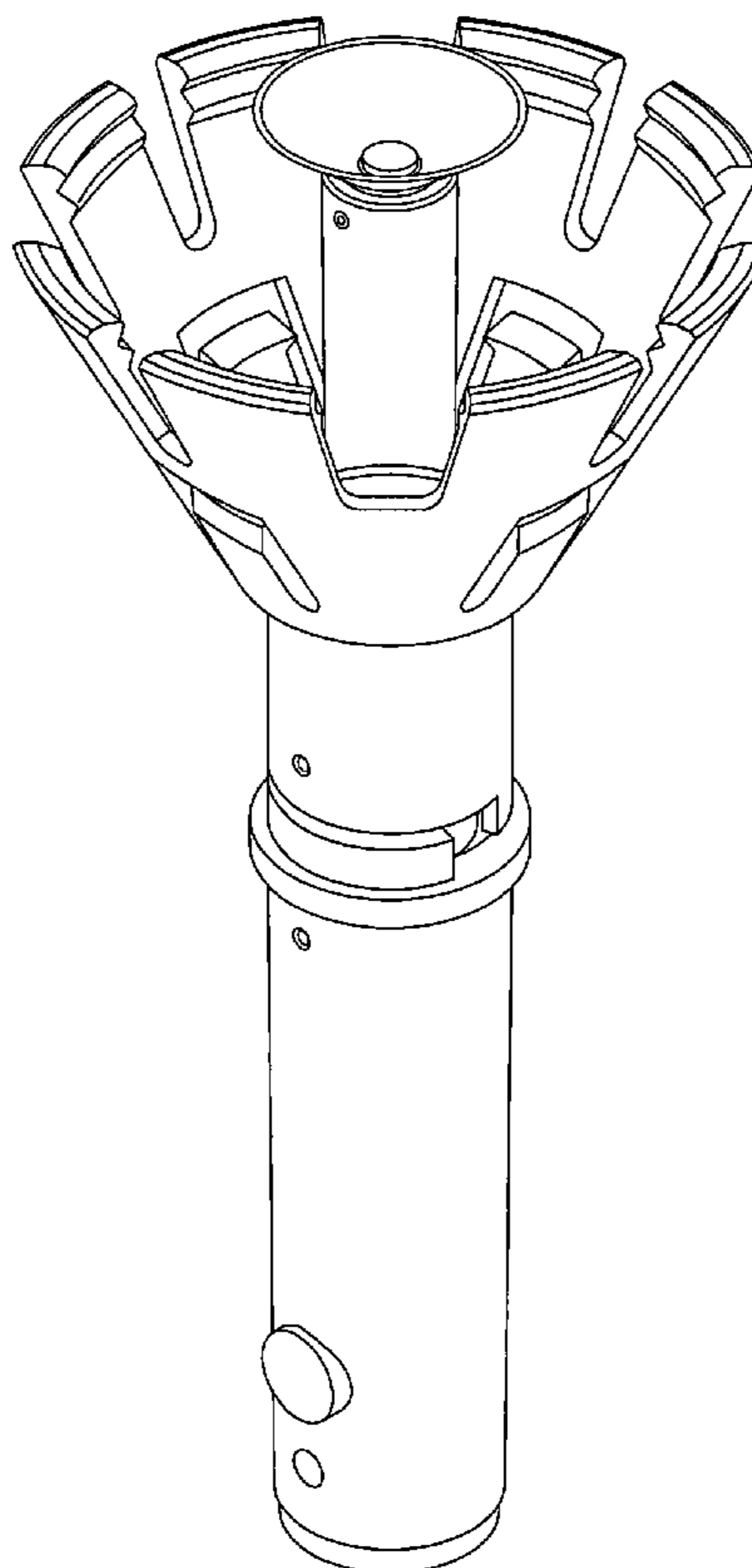
(57) **CLAIM**

The ornamental design for a smoke detector removal tool, as shown and described.

**DESCRIPTION**

FIG. 1 is a perspective view showing my new design; and, FIG. 2 is an additional perspective view thereof, but with the central removal unit shown removed for completeness of illustration.

**1 Claim, 2 Drawing Sheets**



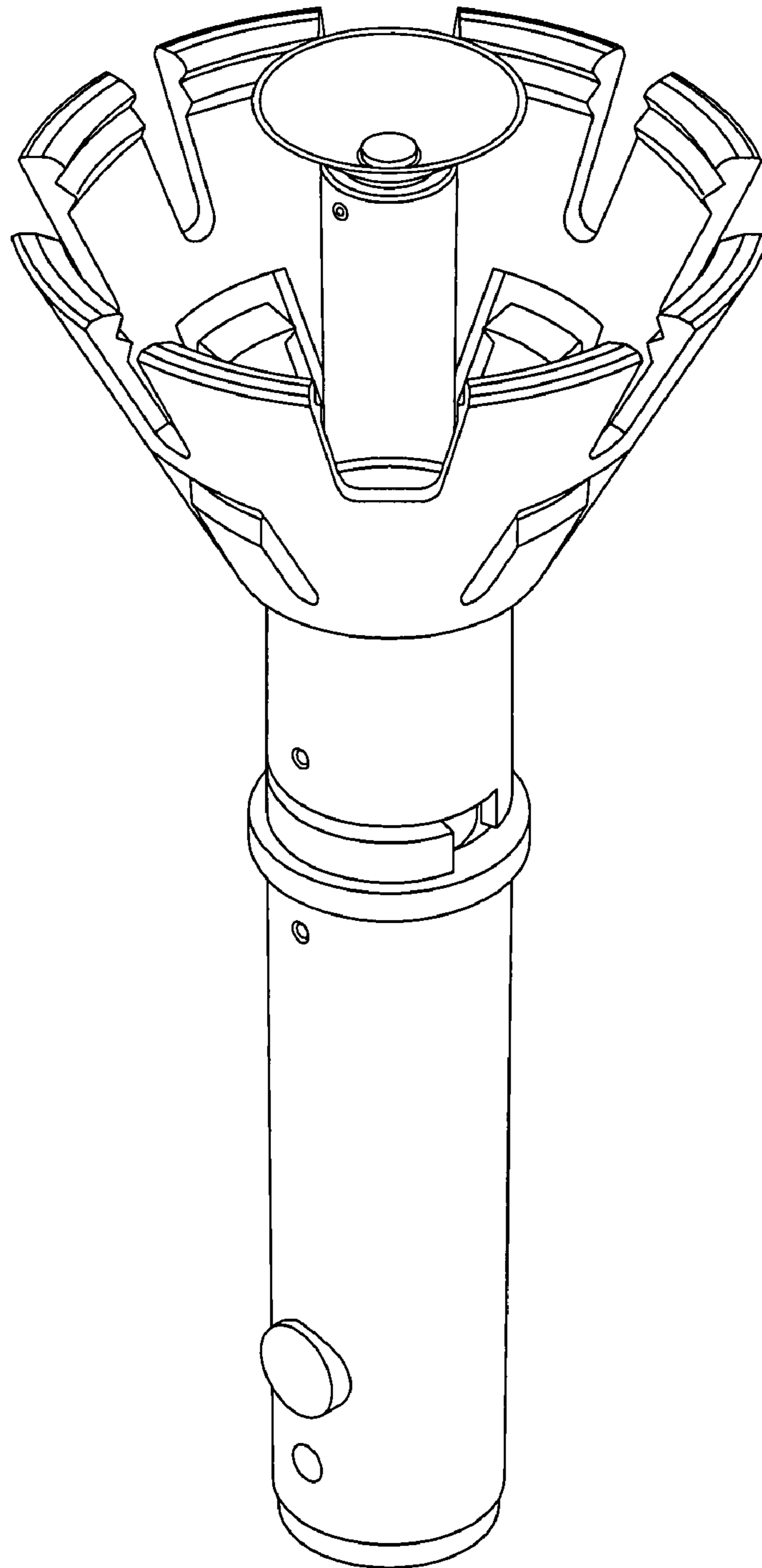


FIG-1

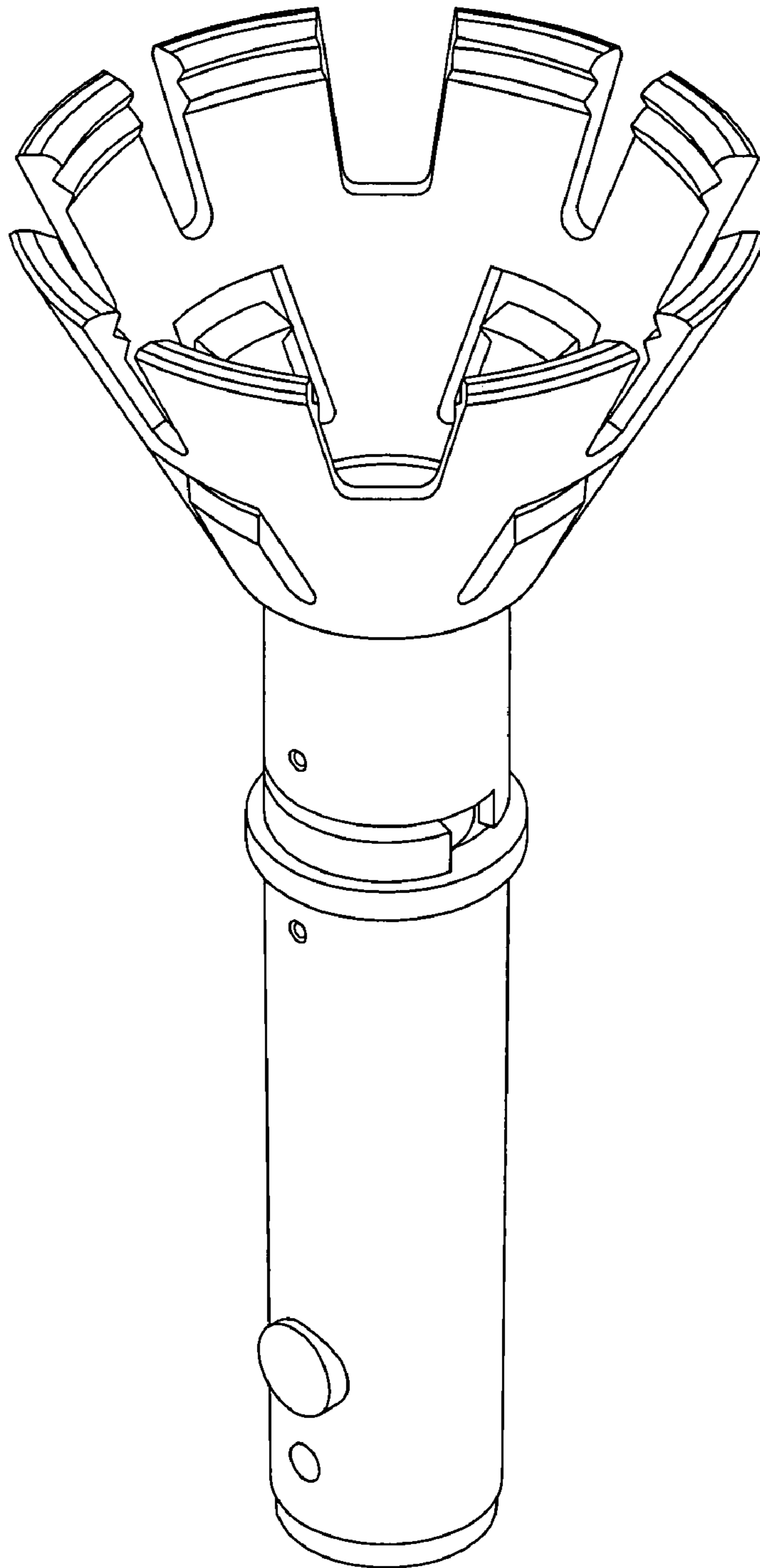


FIG-2