



US00D558547S

(12) **United States Design Patent**
Gildemeister et al.

(10) **Patent No.:** **US D558,547 S**
(45) **Date of Patent:** **** Jan. 1, 2008**

(54) **FIRE LOG HANDLING APPARATUS**

(76) Inventors: **Terry A. Gildemeister**, N1554 Bates Rd., Random Lake, WI (US) 53075;
Glen A. Gildemeister, N1600 Bates Rd., Random Lake, WI (US) 53075

2,326,676 A * 8/1943 Peters 294/11
3,171,386 A * 3/1965 De Ronde 119/806
D254,704 S * 4/1980 Hammond D8/51
4,240,657 A 12/1980 Feighery
D267,074 S * 11/1982 Feighery D8/13
5,354,110 A 10/1994 Licata
5,603,543 A 2/1997 Ratte

(**) Term: **14 Years**

* cited by examiner

(21) Appl. No.: **29/225,529**

Primary Examiner—Cathron C. Brooks

Assistant Examiner—Deanna Fluegeman

(22) Filed: **Mar. 17, 2005**

(74) *Attorney, Agent, or Firm*—Andrus, Scales, Starke & Sawall, LLP

(51) **LOC (8) Cl.** **08-05**

(52) **U.S. Cl.** **D8/51**

(58) **Field of Classification Search** D8/4,
D8/13, 51, 52, 71, 106, 499; D23/396, 403,
D23/407, 410, 499; D34/28; 7/109; 249/9,
249/10, 11, 15, 16, 34, 49, 50, 50.5, 50.6,
249/50.7, 50.8, 50.9

See application file for complete search history.

(57) **CLAIM**

The ornamental design of a fire log handling apparatus, as shown and described.

DESCRIPTION

FIG. 1 is an isometric side view of a fire log handling apparatus incorporating our new design;

FIG. 2 is a right side elevation view thereof;

FIG. 3 is a front end elevation view thereof;

FIG. 4 is a top plan view thereof;

FIG. 5 is a left side elevation view thereof;

FIG. 6 is a rear end elevation thereof; and,

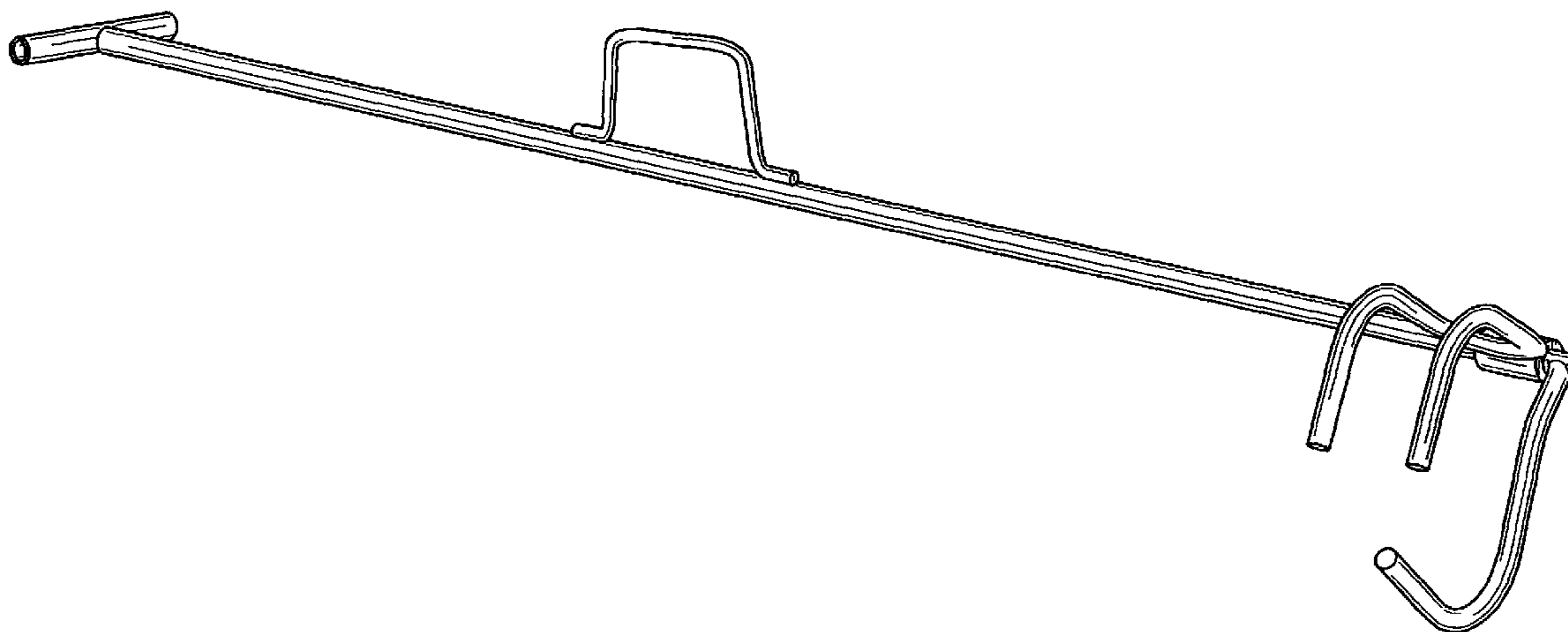
FIG. 7 is a bottom plan view thereof.

(56) **References Cited**

U.S. PATENT DOCUMENTS

741,816 A 10/1903 McKinniss
776,591 A 12/1904 Hower
824,642 A 6/1906 Gibbs
827,561 A 7/1906 Place
1,021,290 A 3/1912 Althouse
D49,906 S * 11/1916 Meyer D8/51
1,284,323 A 11/1918 Hansen
1,820,463 A 8/1931 Klein
2,096,104 A 10/1937 Green

1 Claim, 3 Drawing Sheets



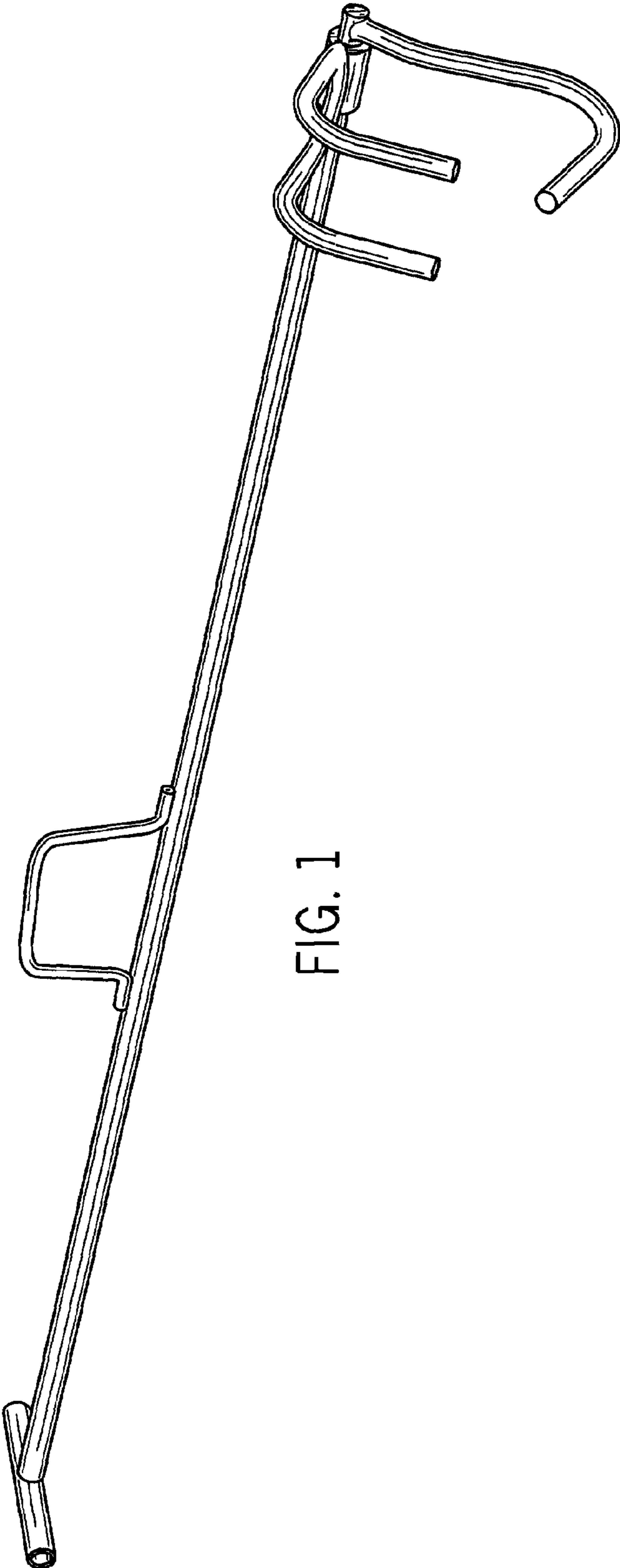


FIG. 1

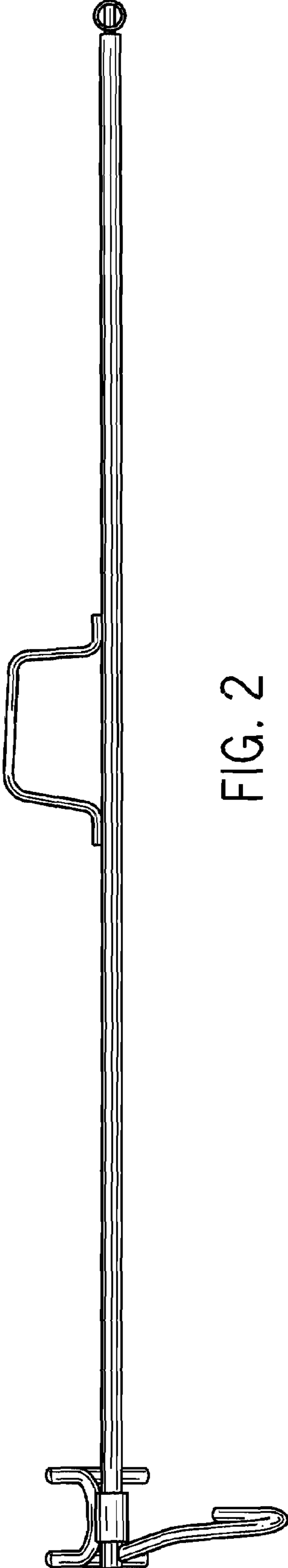


FIG. 2

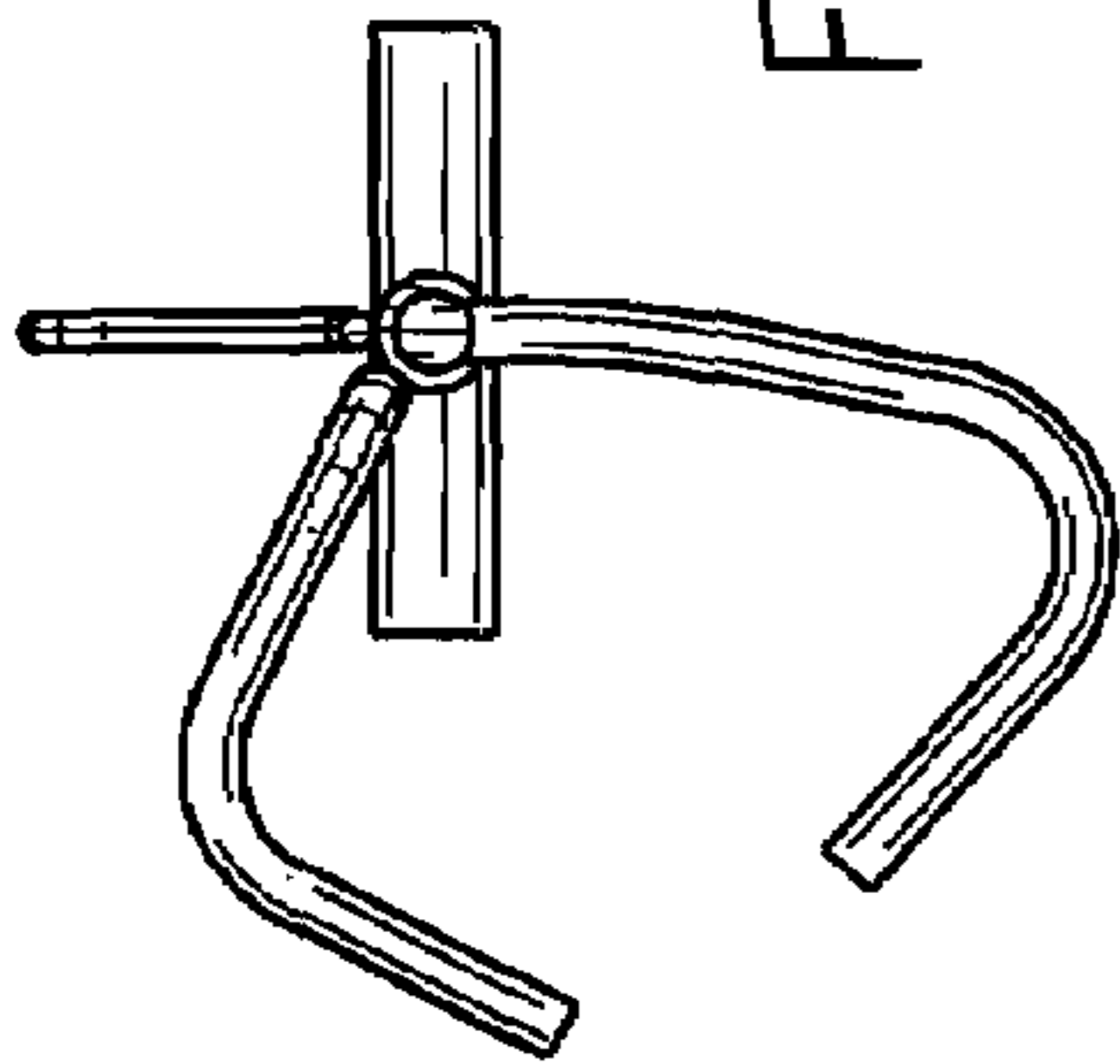


FIG. 3

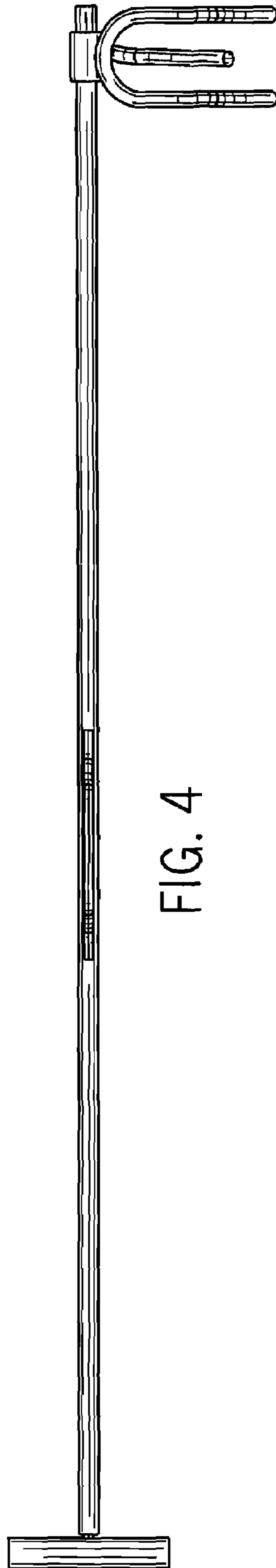


FIG. 4

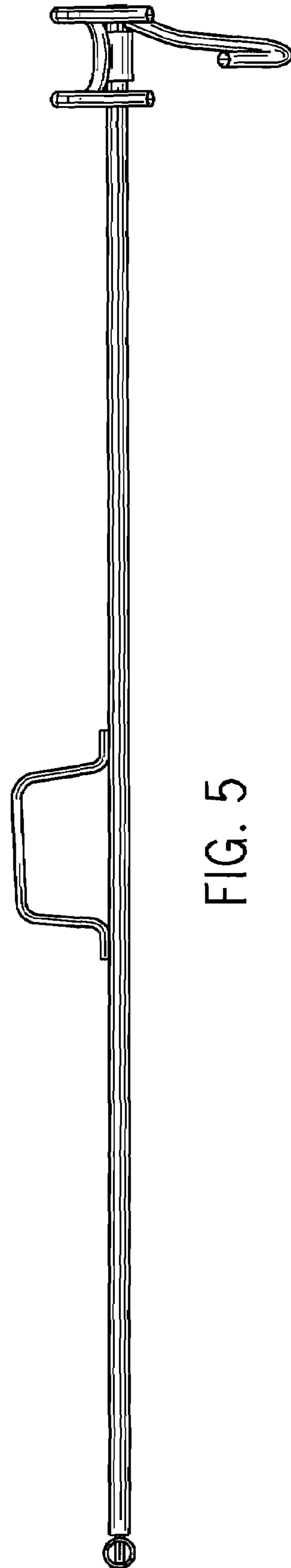


FIG. 5

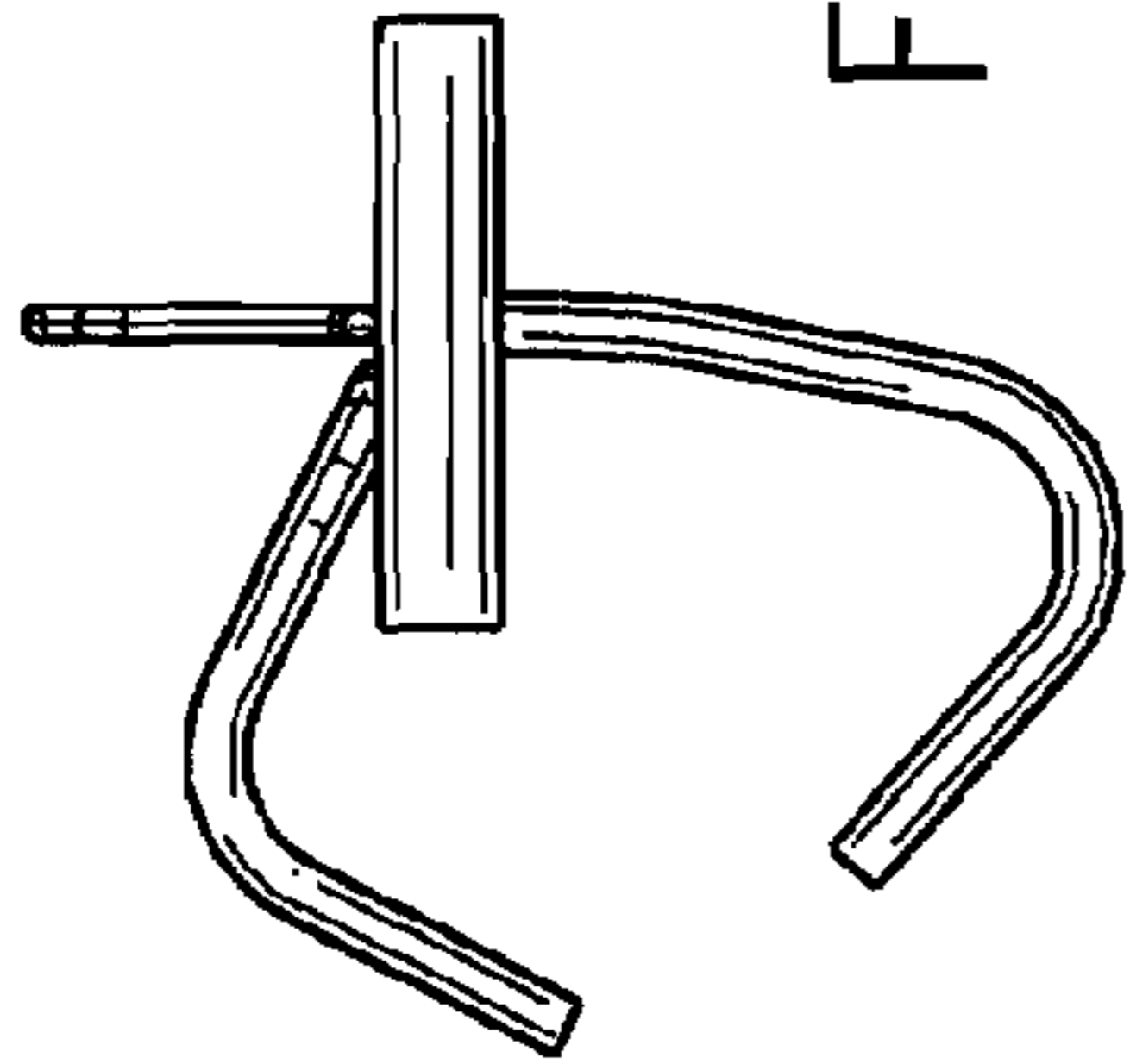


FIG. 6

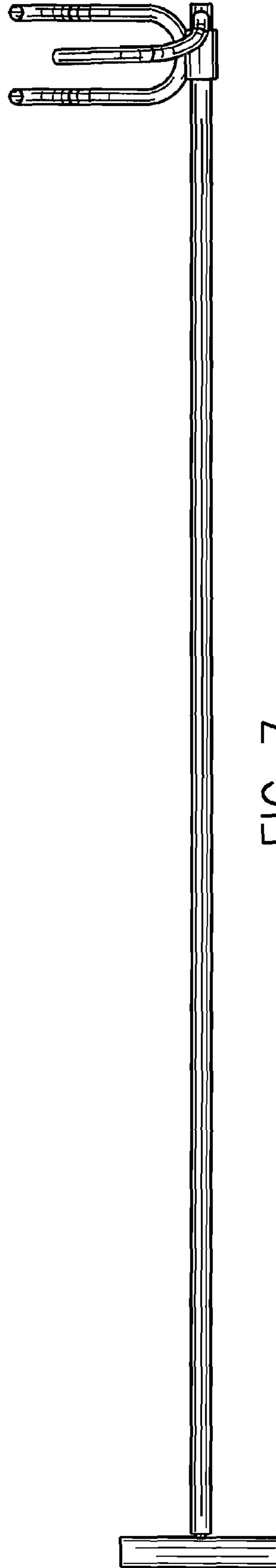


FIG. 7