



US00D558545S

(12) **United States Design Patent**  
**Chan et al.**

(10) **Patent No.:** **US D558,545 S**

(45) **Date of Patent:** **\*\* Jan. 1, 2008**

(54) **CORK REMOVER**

(75) Inventors: **Sik Leung Chan**, Tsuen Wan (HK);  
**Kunio Okamoto**, Utsunomiya (JP)

(73) Assignee: **C.C. & L Company Limited**, Hong  
Kong (HK)

(\*\*) Term: **14 Years**

(21) Appl. No.: **29/273,520**

(22) Filed: **Mar. 7, 2007**

(51) **LOC (8) Cl.** ..... **07-06**

(52) **U.S. Cl.** ..... **D8/42**

(58) **Field of Classification Search** ..... D7/372,  
D7/414, 679; D8/14, 18, 33, 38-43; 7/151,  
7/154-156; 81/3.07, 3.2, 3.29, 3.31, 3.33,  
81/3.35, 3.37, 3.45, 3.48, 3.49

See application file for complete search history.

(56) **References Cited**

**U.S. PATENT DOCUMENTS**

35,362	A	*	5/1862	Chinnock	.....	81/3.29
D146,833	S	*	5/1947	Peterson	.....	D8/42
D148,810	S	*	2/1948	McDowell	.....	D8/42
D335,072	S	*	4/1993	Gourhant	.....	D8/42
D404,987	S	*	2/1999	Larimer	.....	D8/38
D455,324	S	*	4/2002	Wright	.....	D7/679
D474,080	S	*	5/2003	Wong et al.	.....	D7/679

D484,371	S	*	12/2003	Tang et al.	.....	D7/679
D486,704	S	*	2/2004	Marshall et al.	.....	D8/14
D537,684	S	*	3/2007	Lee	.....	D7/679
D548,023	S	*	8/2007	Seidenfaden	.....	D7/679

\* cited by examiner

*Primary Examiner*—Robert M. Spear

*Assistant Examiner*—Garth Rademaker

(74) *Attorney, Agent, or Firm*—Daniel P. Burke &  
Associates, PLLC

(57) **CLAIM**

The ornamental design for a cork remover, as shown and described.

**DESCRIPTION**

FIG. 1 is a top perspective view of a cork remover showing our new design;

FIG. 2 is a right side view thereof;

FIG. 3 is a left side view thereof;

FIG. 4 is a rear view thereof;

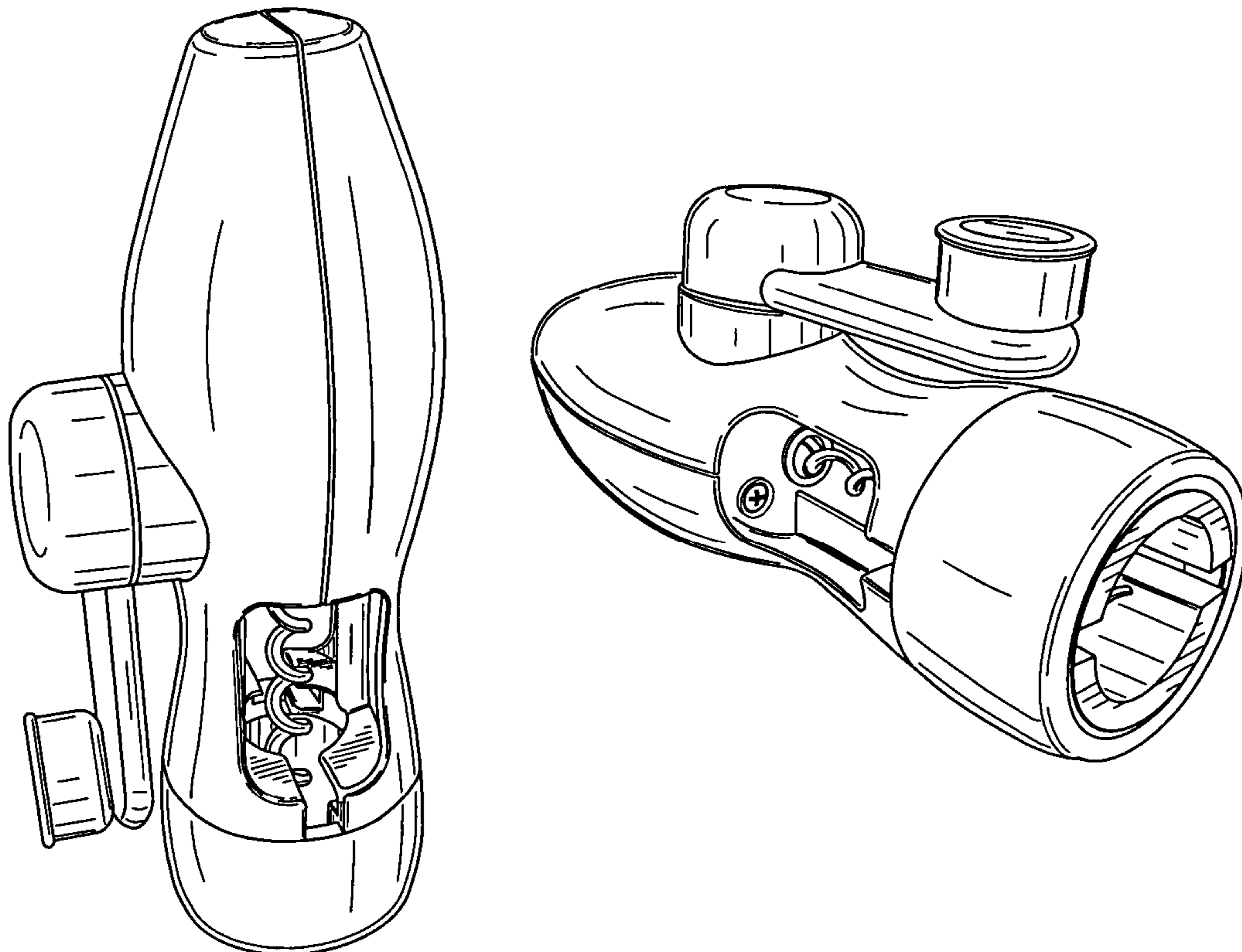
FIG. 5 is a front view thereof;

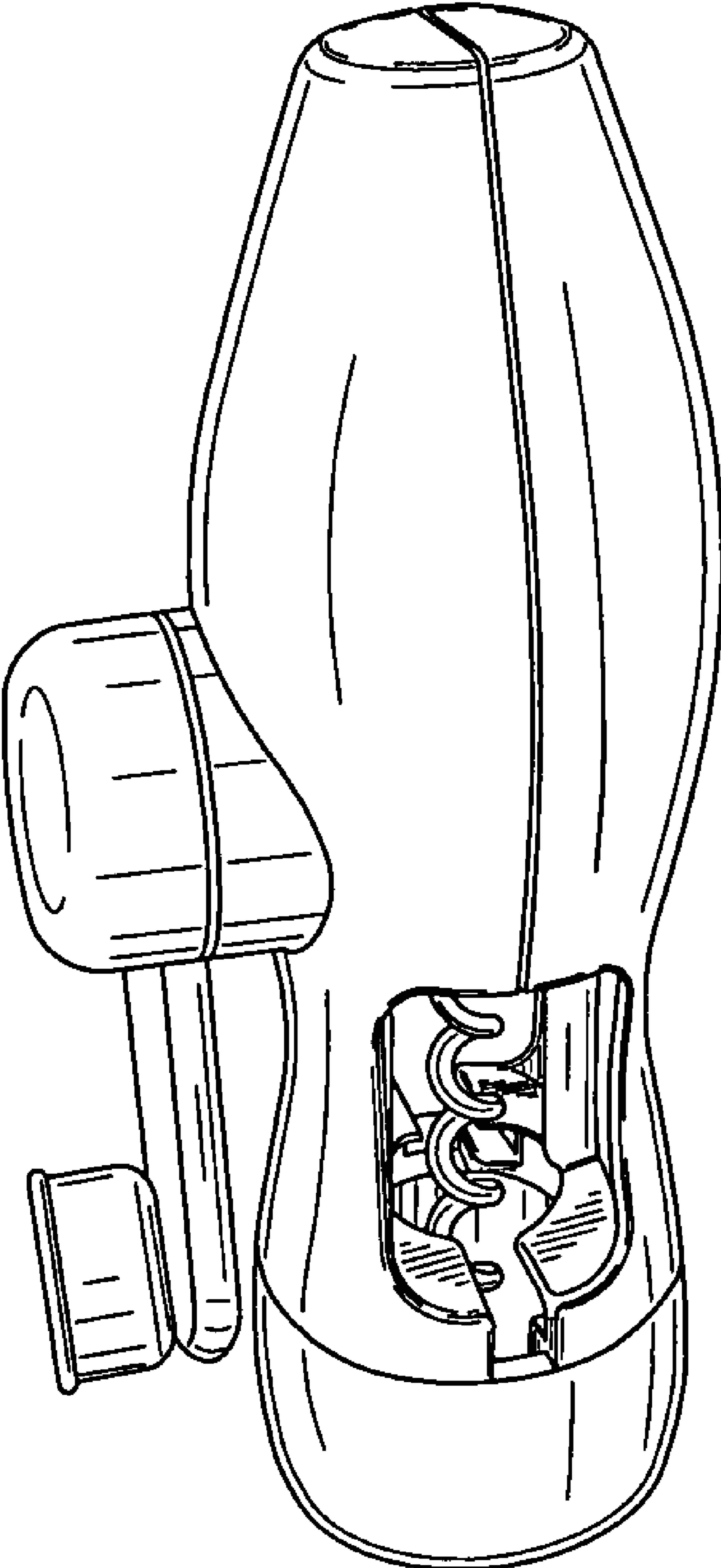
FIG. 6 is a top end view thereof;

FIG. 7 is a bottom end view thereof; and,

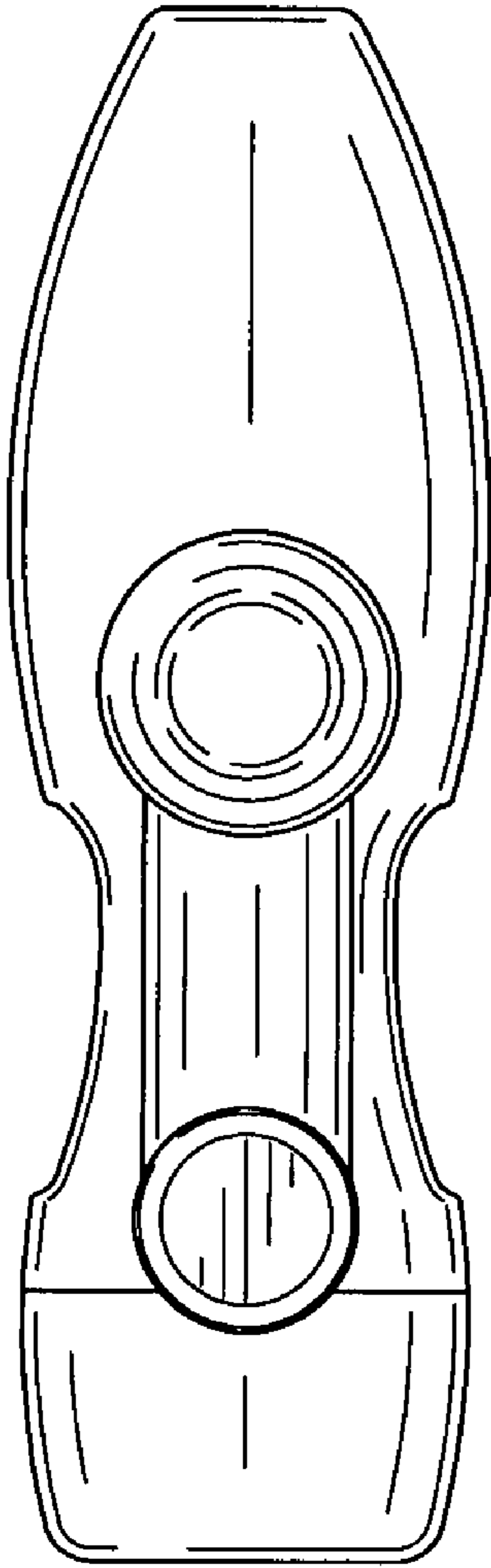
FIG. 8 is a bottom-side perspective view.

**1 Claim, 5 Drawing Sheets**

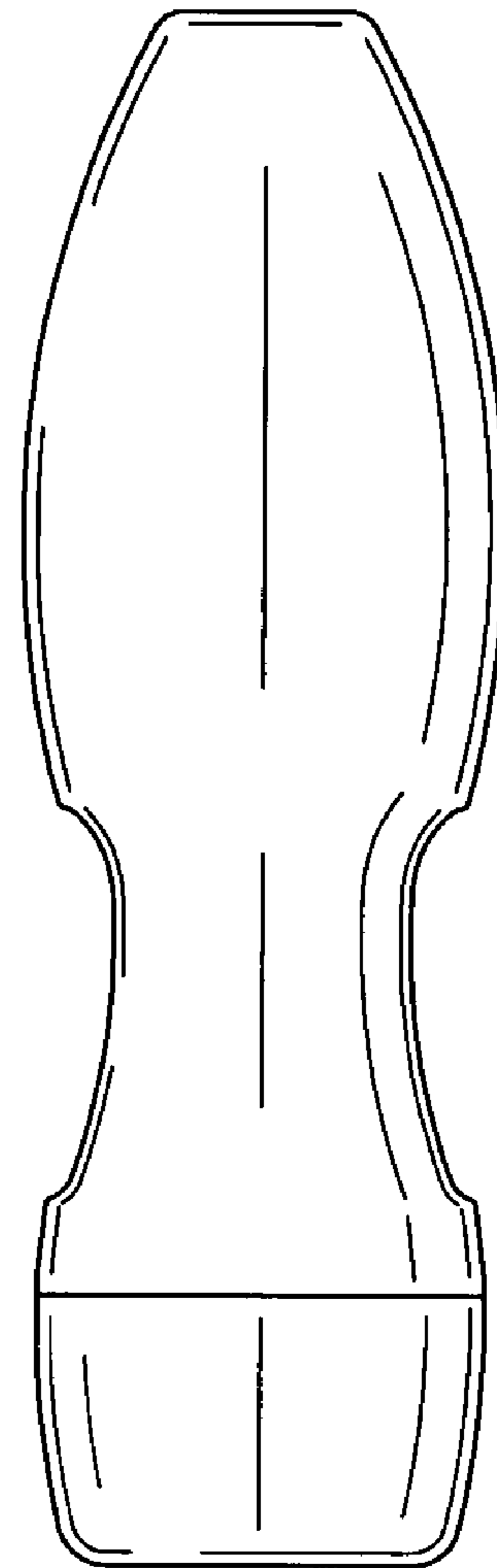




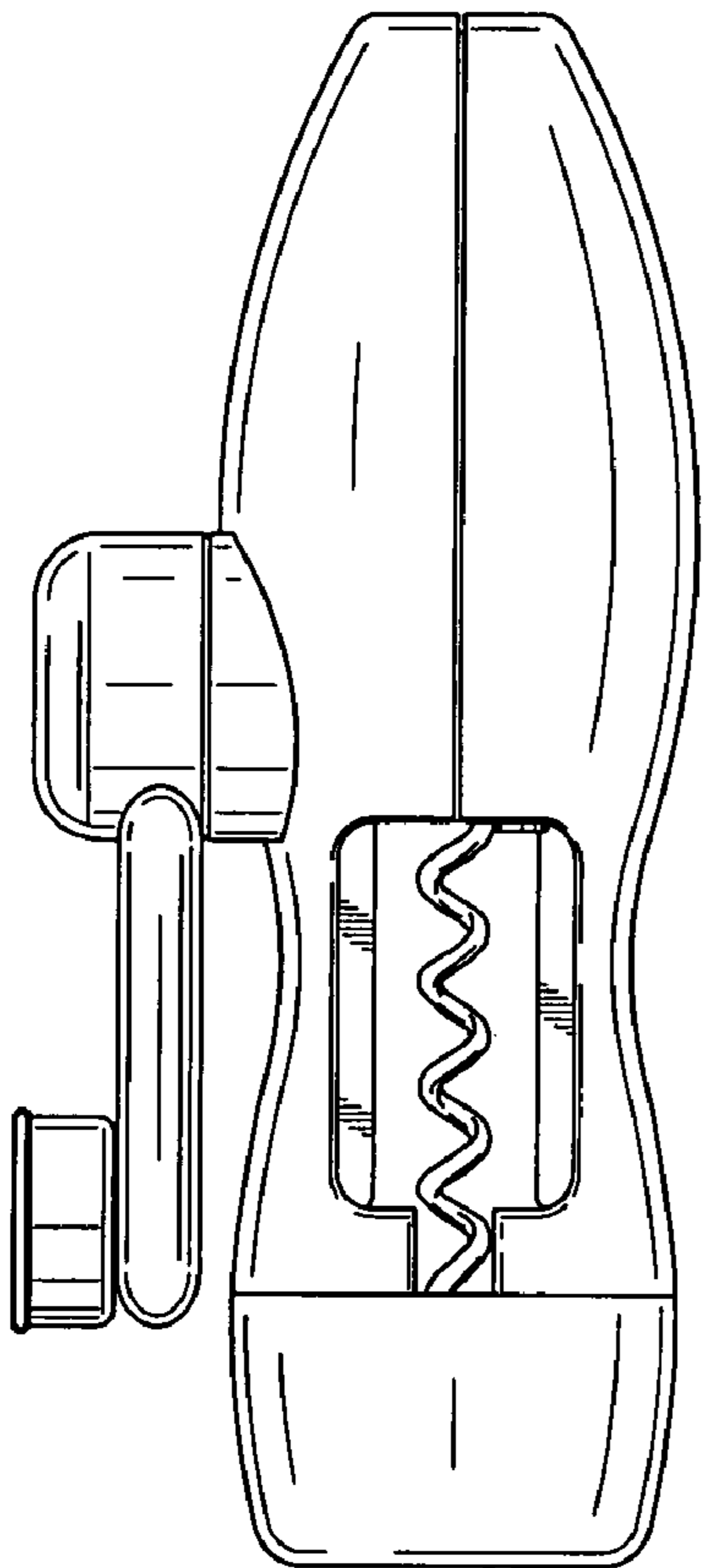
**FIG. 1**



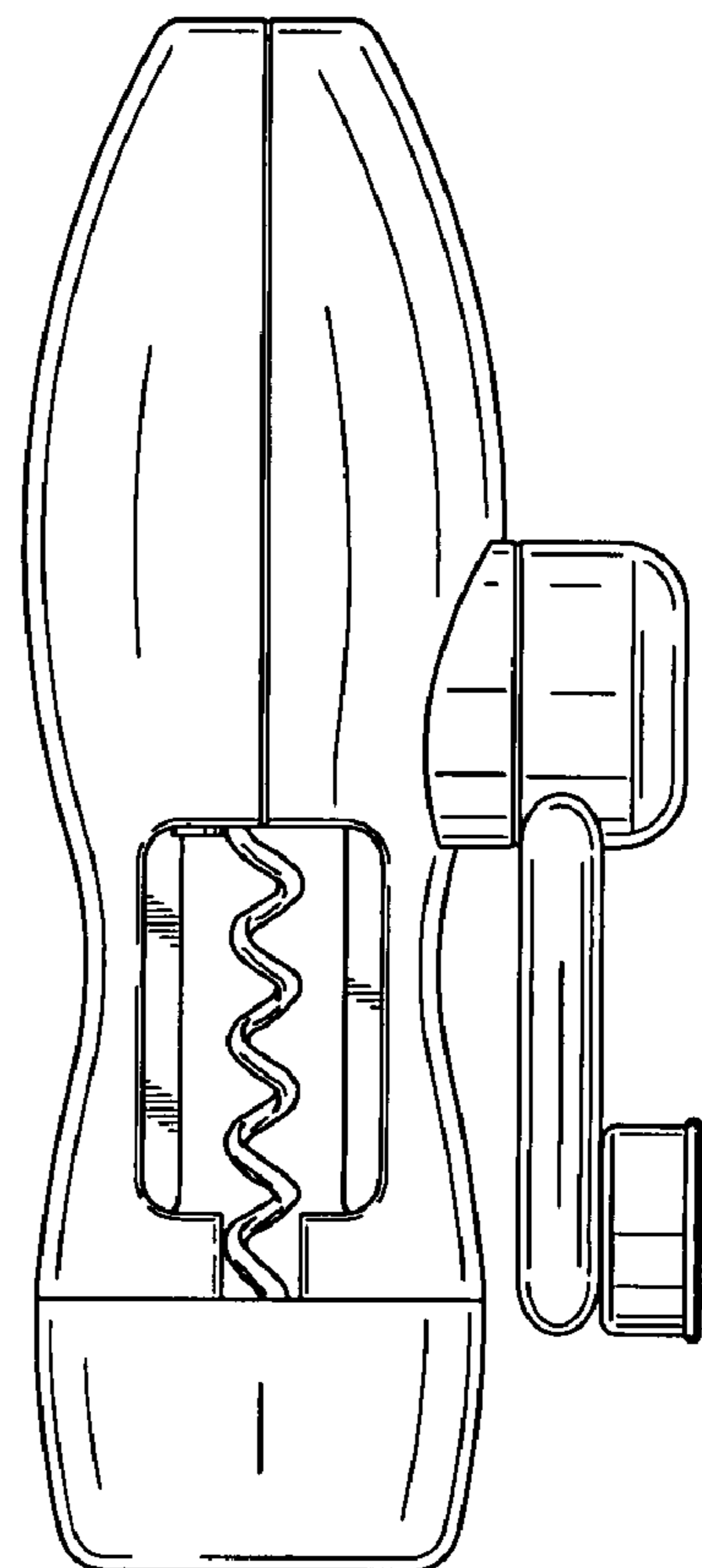
**FIG. 2**



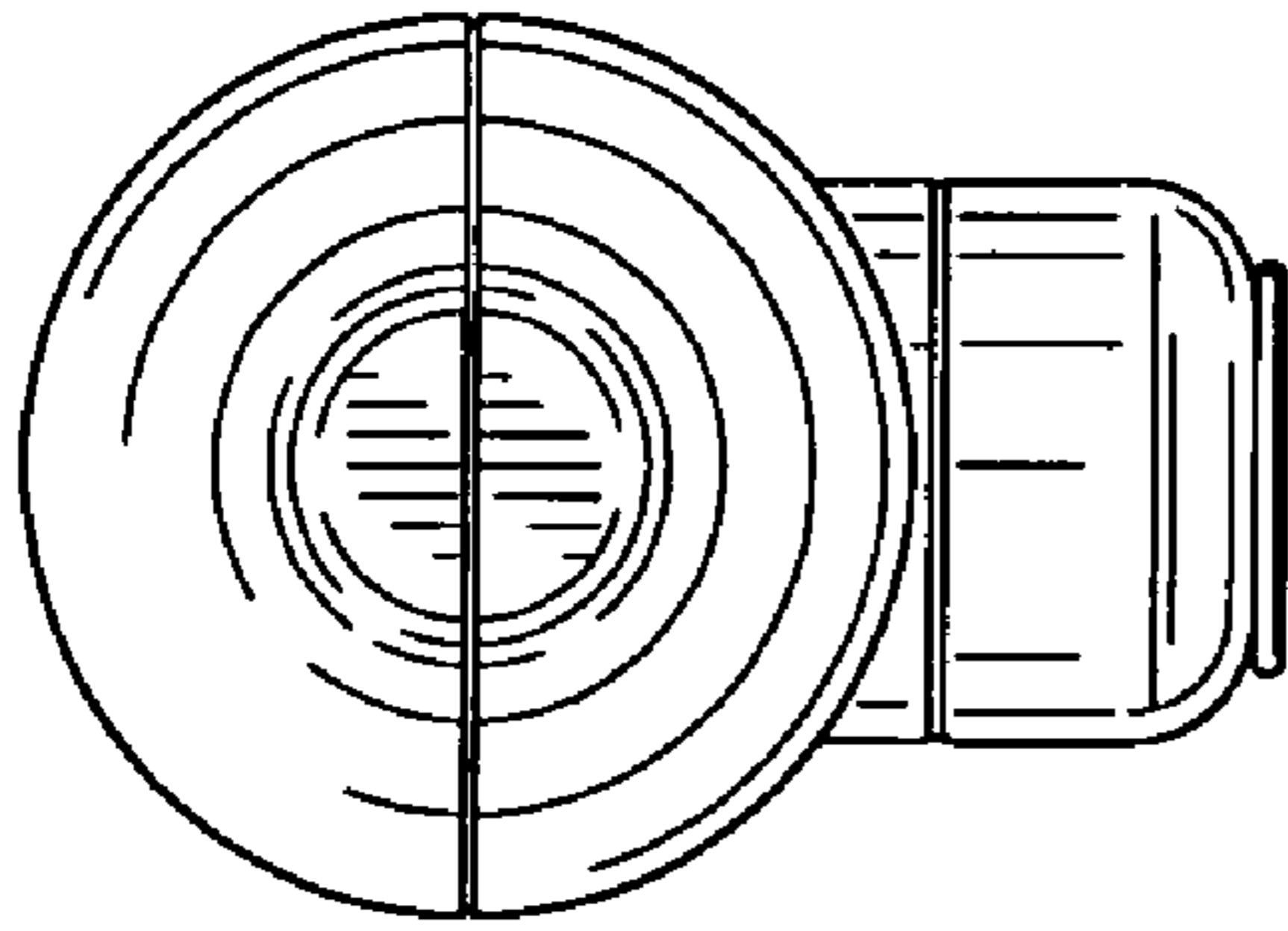
**FIG. 3**



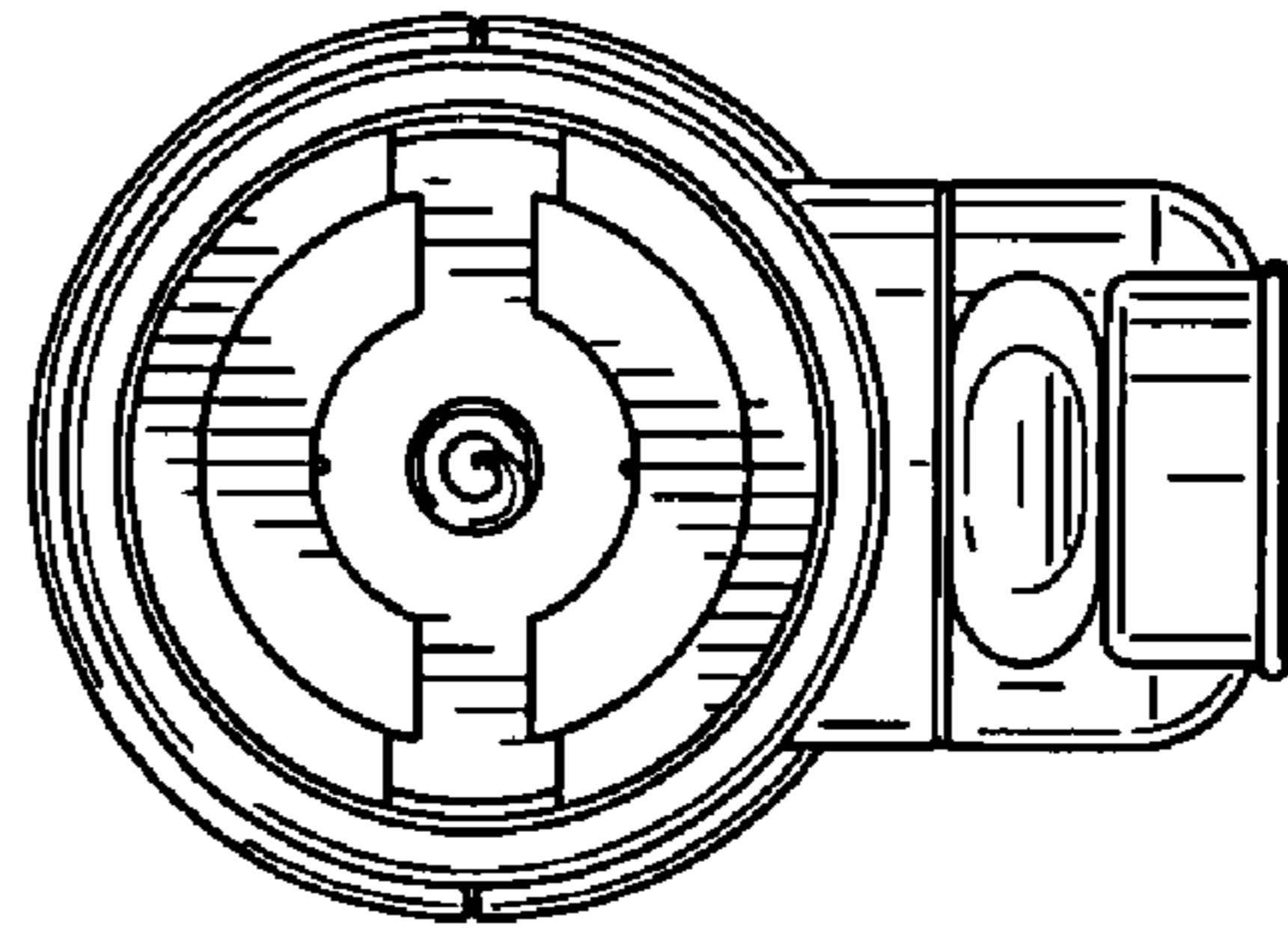
**FIG. 4**



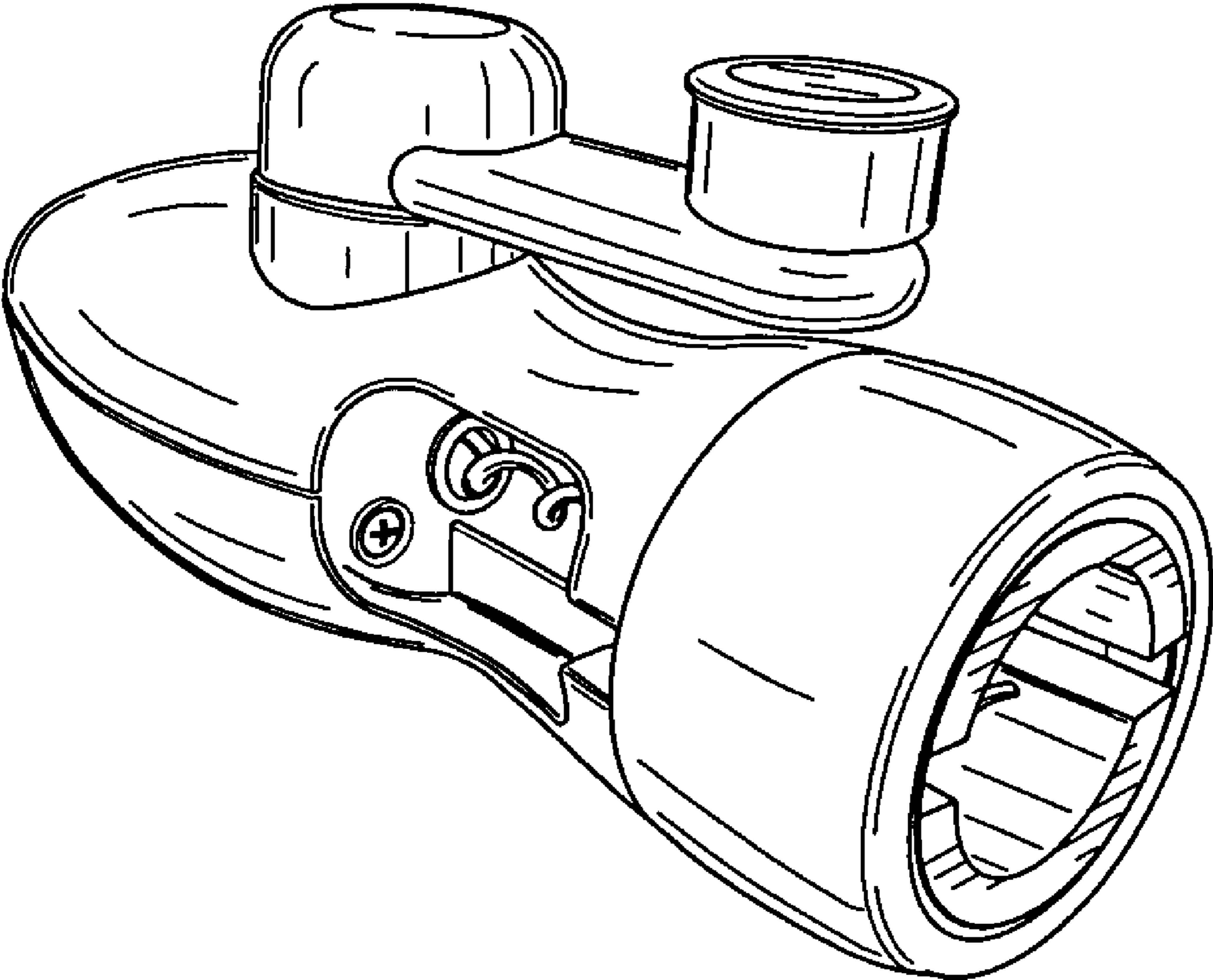
**FIG. 5**



**FIG. 6**



**FIG. 7**



**FIG. 8**