



US00D558543S

(12) **United States Design Patent**
Chen

(10) **Patent No.:** **US D558,543 S**

(45) **Date of Patent:** **** Jan. 1, 2008**

(54) **SPANNER**

(76) **Inventor:** **Dian-Tai Chen**, 4-3C Fl, No. 532, Sec. 1, Tai-Yhan Rd, Taichung City (TW) 404

(**) **Term:** **14 Years**

(21) **Appl. No.:** **29/285,002**

(22) **Filed:** **Mar. 20, 2007**

(51) **LOC (8) Cl.** **08-05**

(52) **U.S. Cl.** **D8/21**

(58) **Field of Classification Search** D8/17, D8/21-29, 81-87, 102-107, 98, 99, 55, 93, D8/94; 81/60-63.2, 177.1, 177.85, 177.8, 81/489, 125.1, 121.1, 119, 120, 176.1, 186, 81/177.9, 185.1, 176.2, 165, 170, 3.35, 58, 81/3.45, 155, 124.2, 415-423, 427.5, 58.4, 81/58.3, 58.1; 206/378; 16/429, 441, 124.6, 16/422, 186; 7/100, 138, 168, 157; 140/119
See application file for complete search history.

(56) **References Cited**

U.S. PATENT DOCUMENTS

D155,297 S * 9/1949 Kushner D8/82
4,542,666 A * 9/1985 White 81/176.1
5,216,781 A * 6/1993 Bronfield 16/426

D393,787 S * 4/1998 Savoie D8/21
D420,885 S * 2/2000 Lin D8/107
D422,189 S * 4/2000 Parsons D8/99
6,176,160 B1 * 1/2001 Ruhlander et al. 81/438
6,840,139 B2 * 1/2005 Haylock 81/121.1
7,055,412 B2 * 6/2006 Leighton 81/124.4
D546,149 S * 7/2007 Chen D8/27

* cited by examiner

Primary Examiner—Gary D. Watson
Assistant Examiner—Randall H Gholson

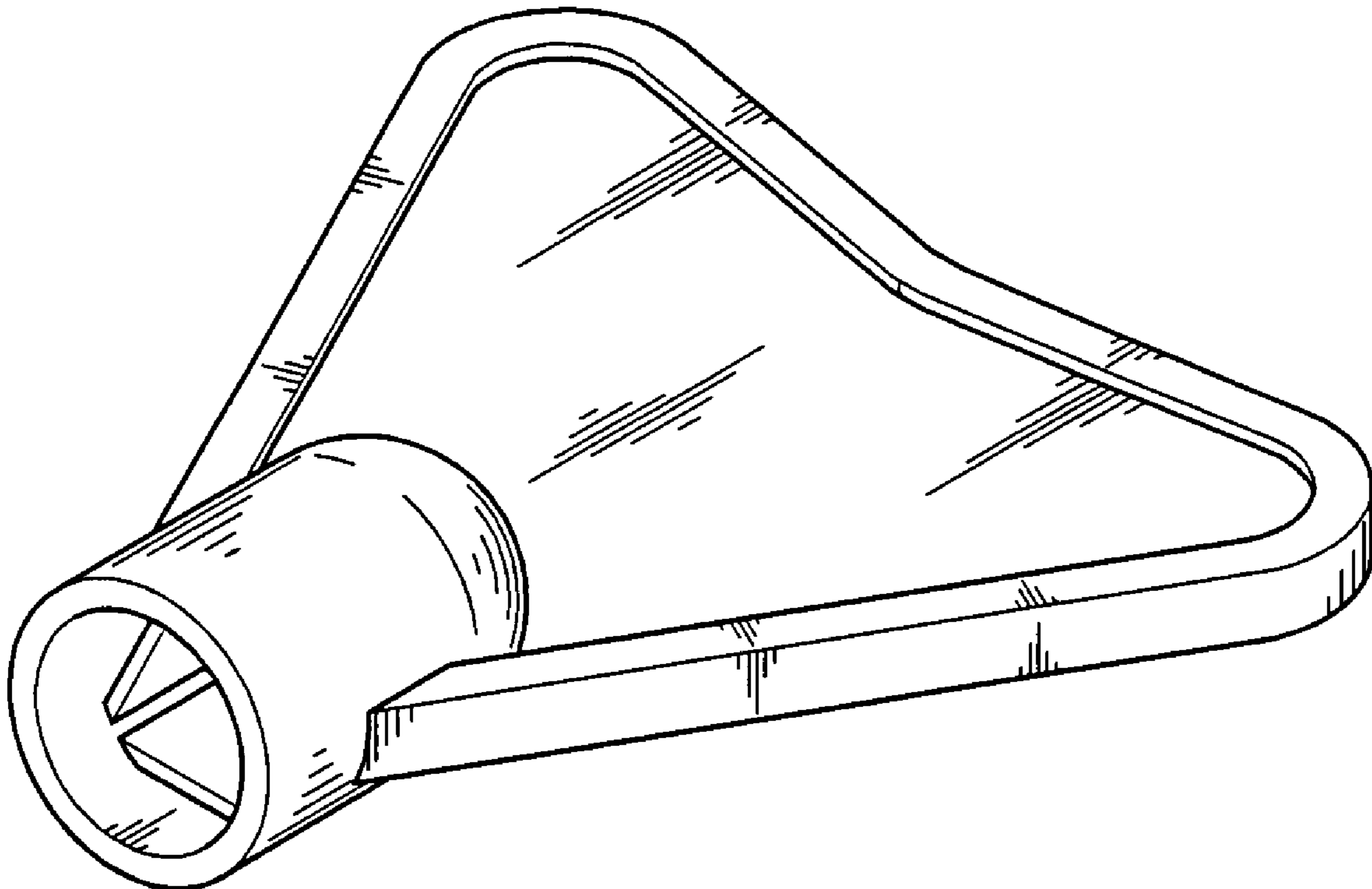
(57) **CLAIM**

The ornamental design for a spanner, as shown and described.

DESCRIPTION

FIG. 1 is a perspective view of a spanner showing my new design;
FIG. 2 is a top plan view thereof;
FIG. 3 is a bottom plan view thereof;
FIG. 4 is a front elevational view thereof;
FIG. 5 is a rear elevational view thereof;
FIG. 6 is a left side elevational view thereof; and,
FIG. 7 is a right side elevational view thereof.

1 Claim, 4 Drawing Sheets



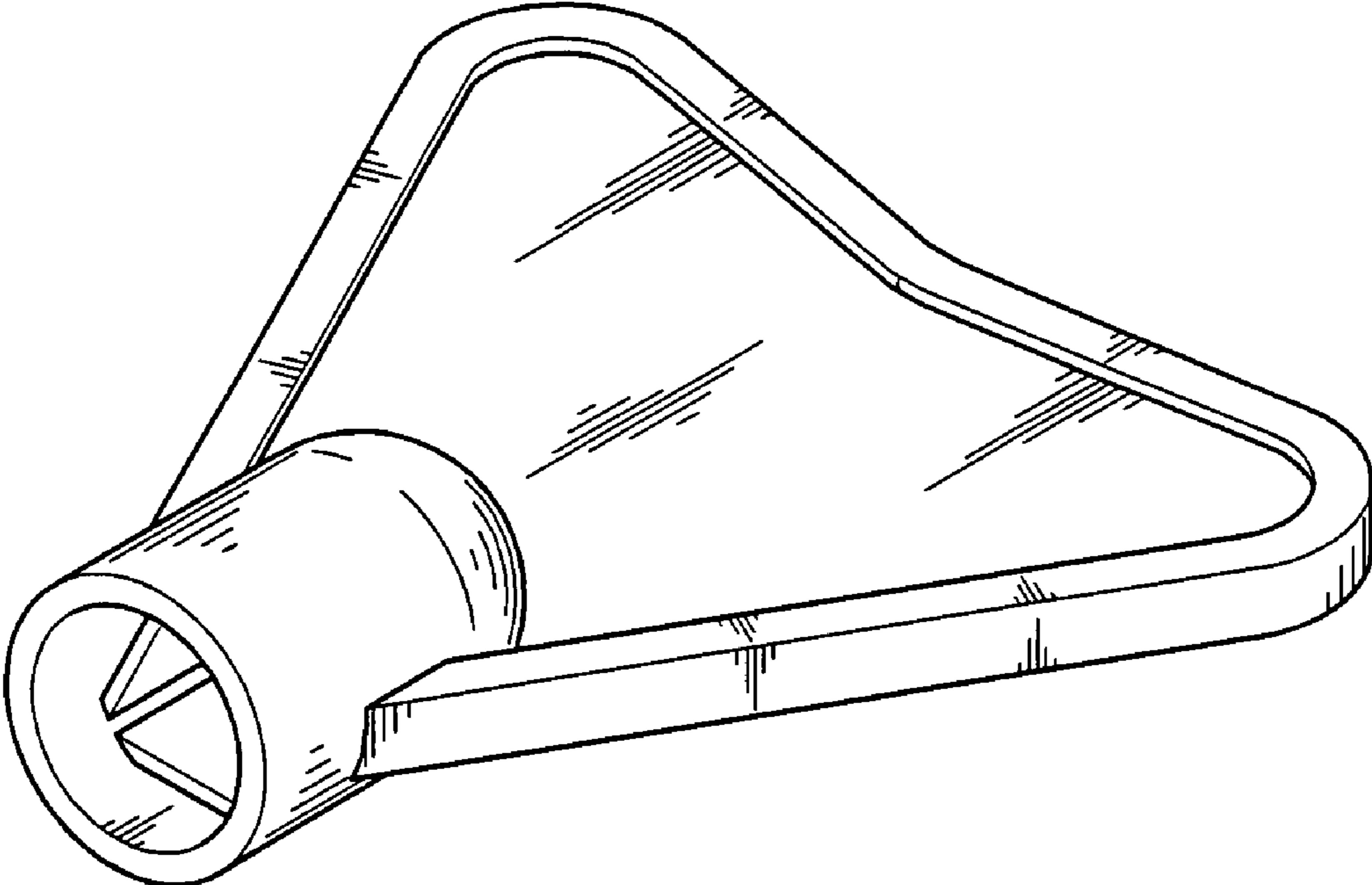


FIG. 1

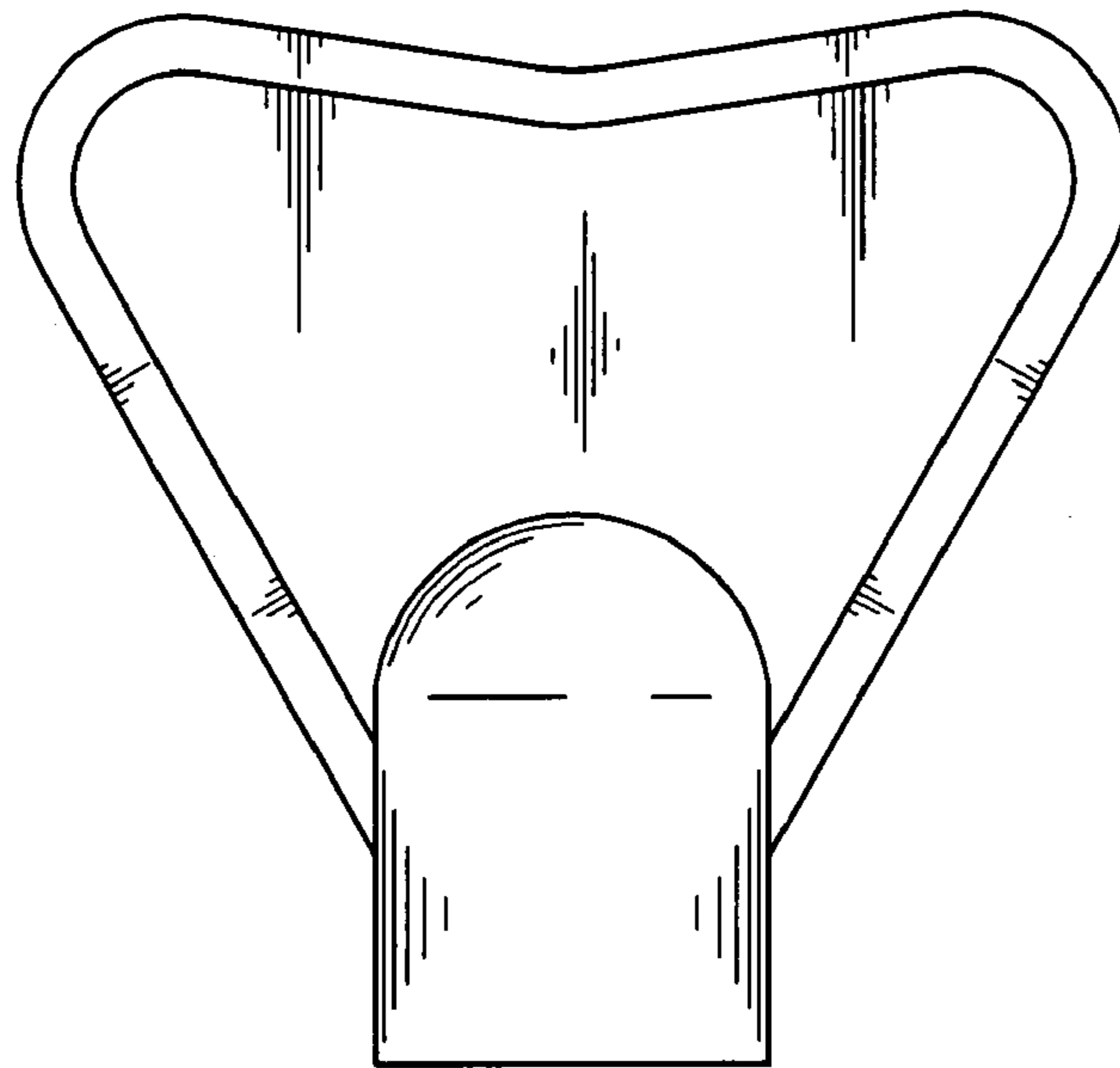


FIG. 2

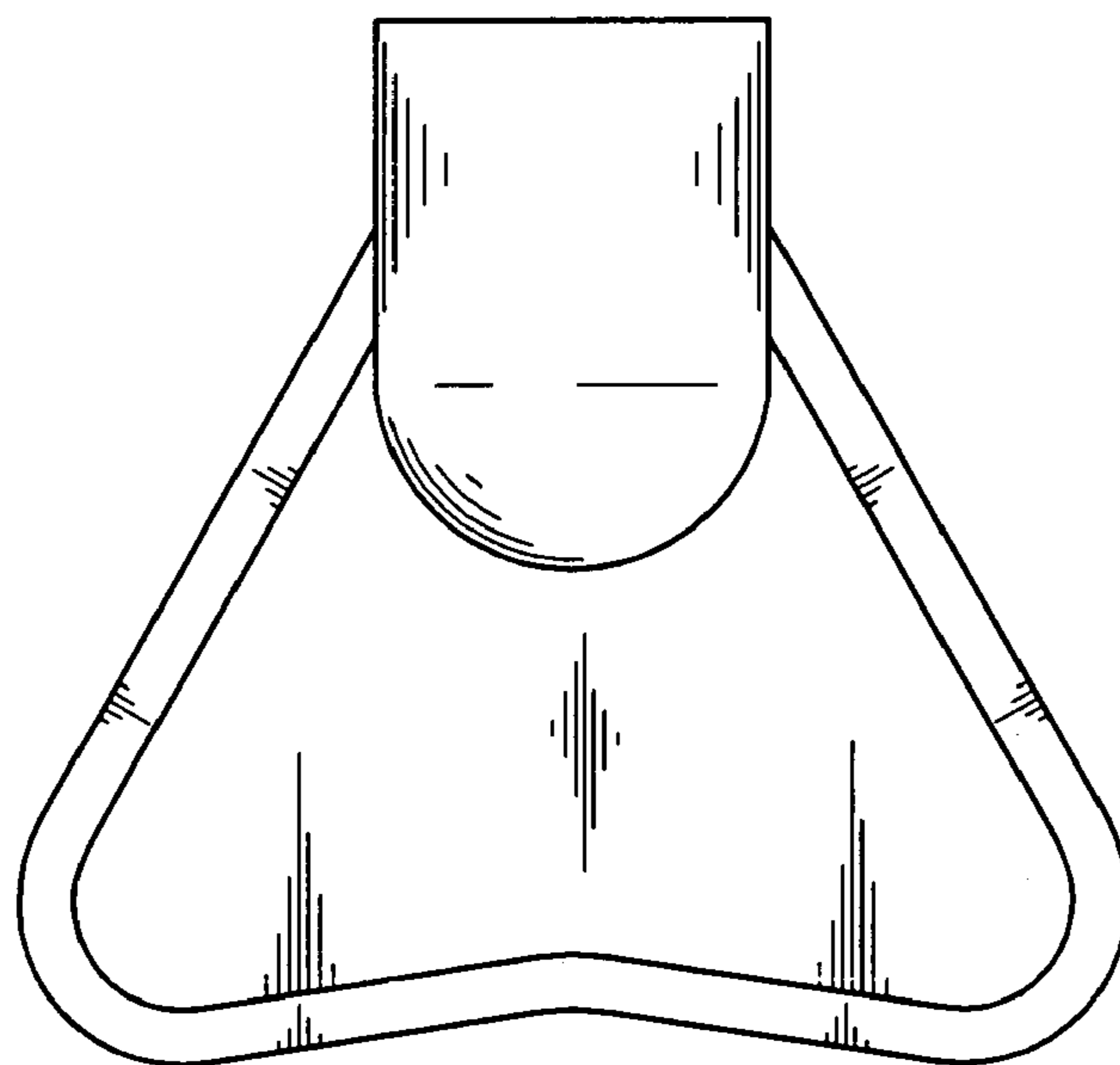


FIG. 3

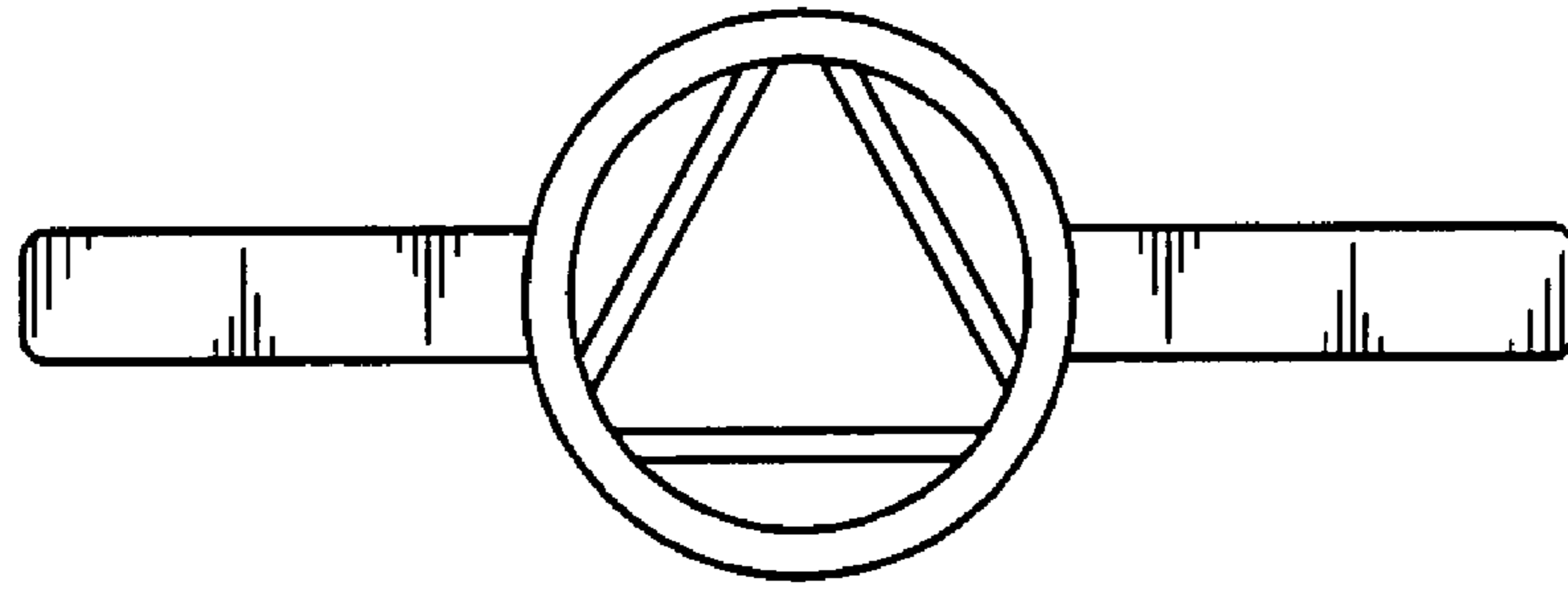


FIG. 4

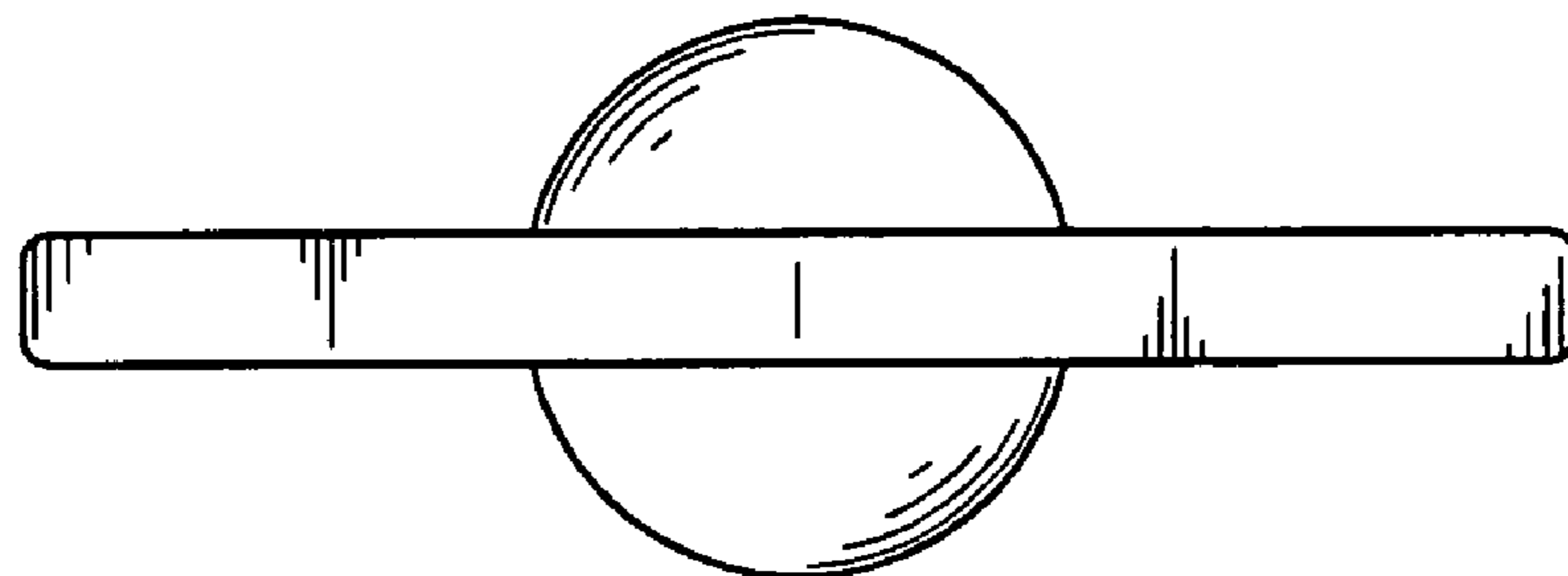


FIG. 5

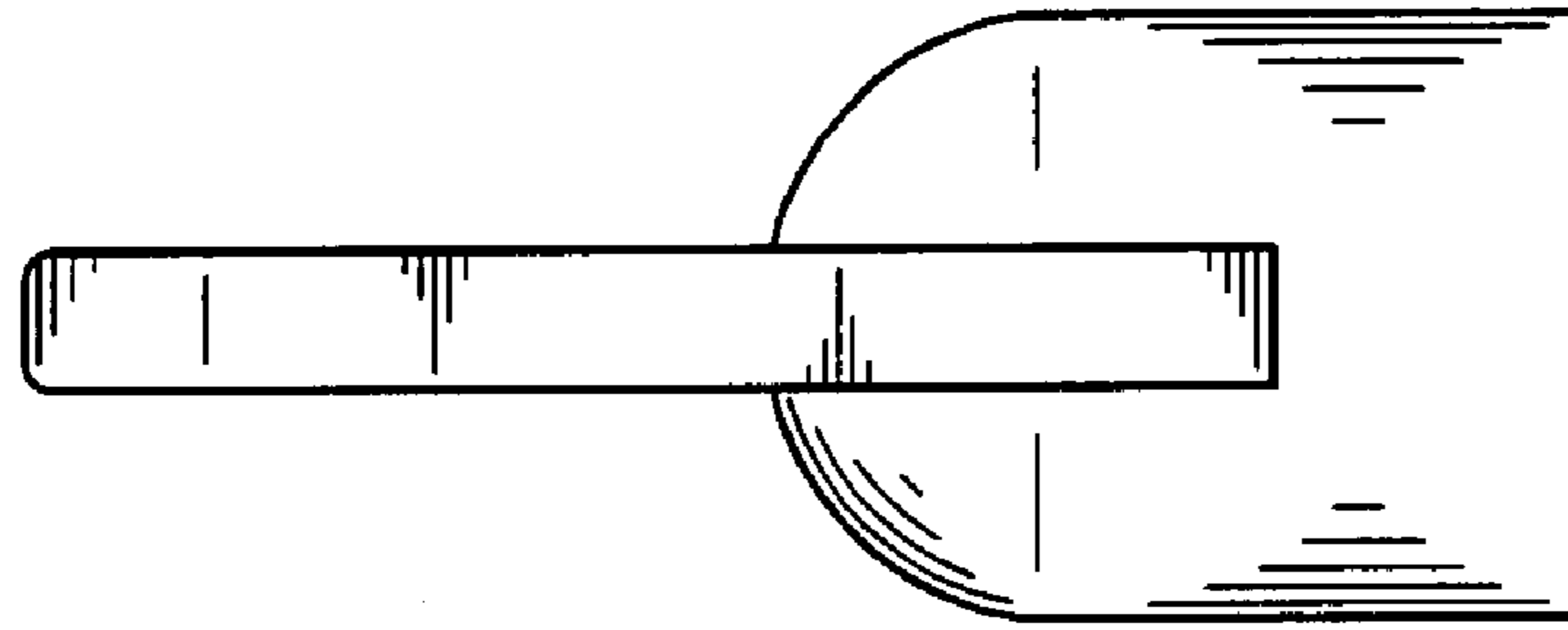


FIG. 6

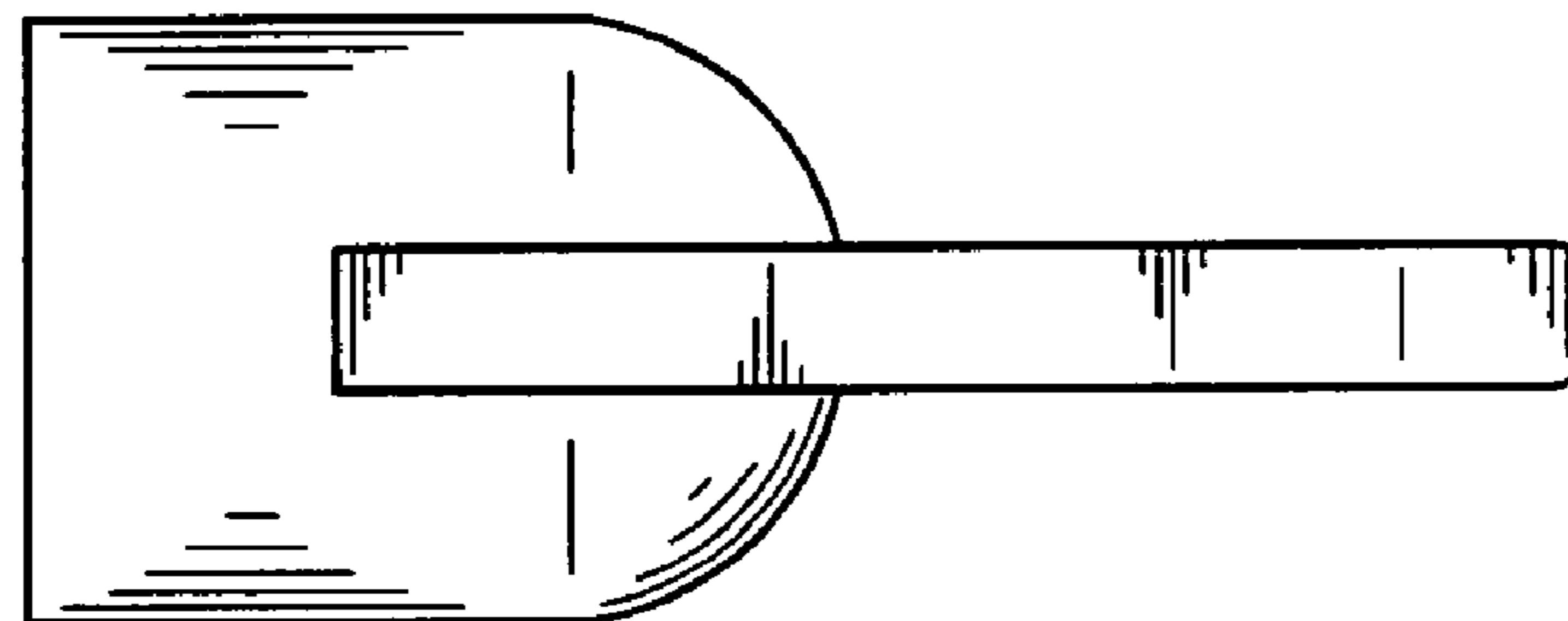


FIG. 7