



US00D558542S

(12) **United States Design Patent**
Kiely

(10) **Patent No.:** **US D558,542 S**

(45) **Date of Patent:** **** Jan. 1, 2008**

(54) **INSTALLMENT TOOL FOR ELECTRIC CONNECTORS**

(75) Inventor: **Kenneth M. Kiely**, Milford, CT (US)

(73) Assignee: **Bridgeport Fittings, Inc.**, Stratford, CT (US)

(**) Term: **14 Years**

(21) Appl. No.: **29/286,626**

(22) Filed: **May 14, 2007**

Related U.S. Application Data

(62) Division of application No. 29/254,782, filed on Feb. 28, 2006, now Pat. No. Des. 545,650.

(51) **LOC (8) Cl.** **08-05**

(52) **U.S. Cl.** **D8/19**

(58) **Field of Classification Search** D7/665,
D7/666, 680; D8/16-19, 21, 27, 33-43,
D8/88, 105; 7/113, 151-156; 81/3.07, 3.09,
81/3.27, 3.4, 3.55

See application file for complete search history.

(56) **References Cited**

U.S. PATENT DOCUMENTS

1,641,252 A	9/1927	Dickey	D8/17
D142,202 S *	8/1945	Lanyon	D8/18
D162,858 S *	4/1951	McGlinchey	D8/18
D270,944 S	10/1983	Hostetler	D8/16
D282,046 S	1/1986	Dumond et al.	D8/21
D363,863 S *	11/1995	Tipp	D8/40

D401,486 S *	11/1998	Becker	D8/19
D405,331 S *	2/1999	Riccobene	D8/18
D416,178 S	11/1999	Moore et al.	D8/16
D420,265 S	2/2000	Pierce	D8/40
D422,858 S	4/2000	Moore	D8/17
D445,655 S	7/2001	Maddox	D8/17
D456,226 S *	4/2002	Doshay	D8/19
D488,689 S	4/2004	Smith, IV	D8/33
D539,105 S *	3/2007	Bennett	D8/18

* cited by examiner

Primary Examiner—Robert M. Spear

Assistant Examiner—Garth Rademaker

(74) *Attorney, Agent, or Firm*—Fattibene & Fattibene; Paul A. Fattibene; Arthur T. Fattibene

(57) **CLAIM**

The ornamental design for an installment tool for electric connectors, as shown and described.

DESCRIPTION

FIG. 1 is a perspective view of an installation tool for electric connectors showing the new design.

FIG. 2 is a top plan view thereof.

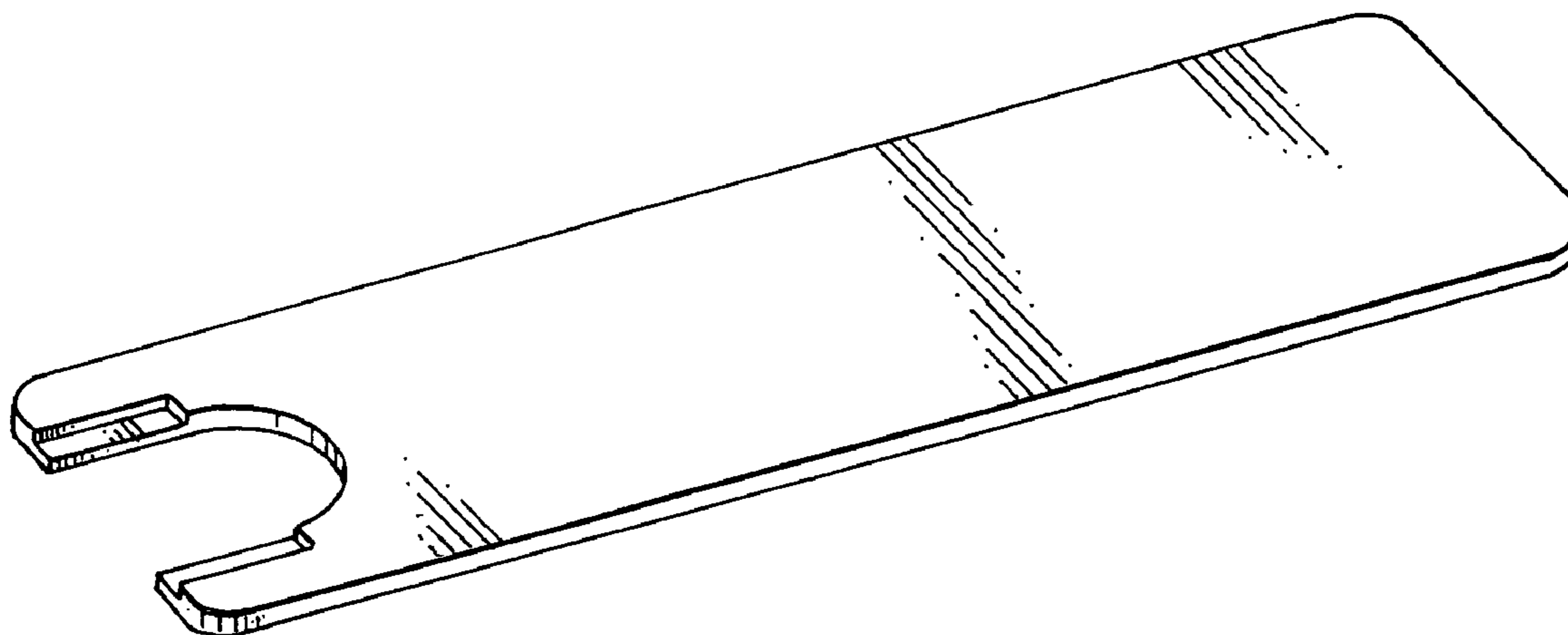
FIG. 3 is a front elevation view thereof.

FIG. 4 is a bottom plan view thereof.

FIG. 5 is a left side elevation view thereof, shown at an enlarged scale; and,

FIG. 6 is a right side end view thereof.

1 Claim, 1 Drawing Sheet



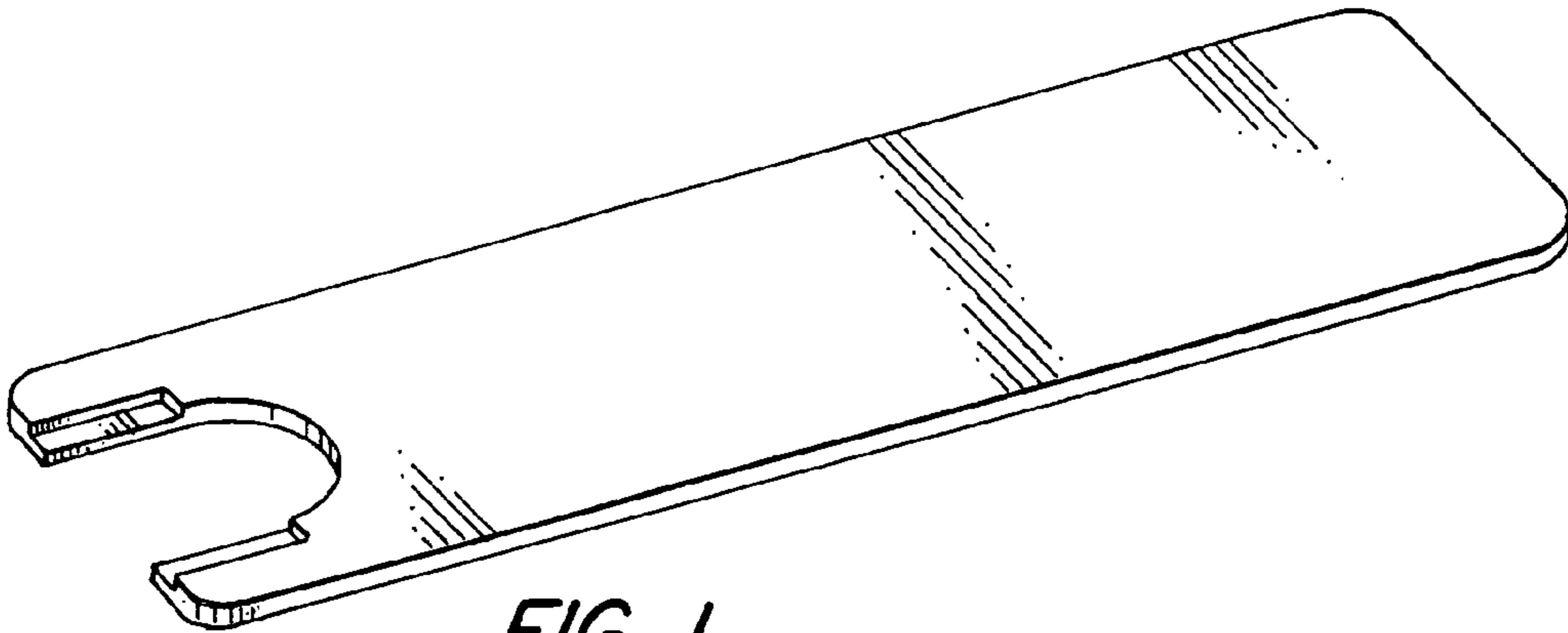


FIG. 1

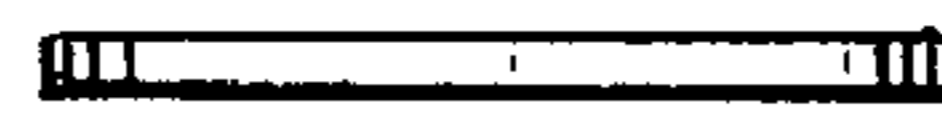


FIG. 6

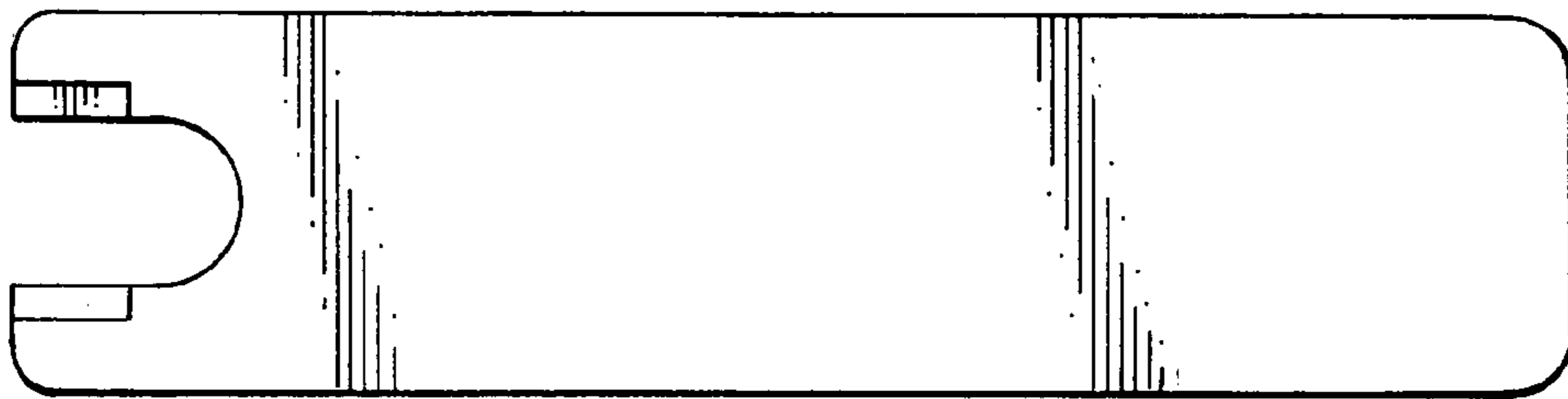


FIG. 2



FIG. 3

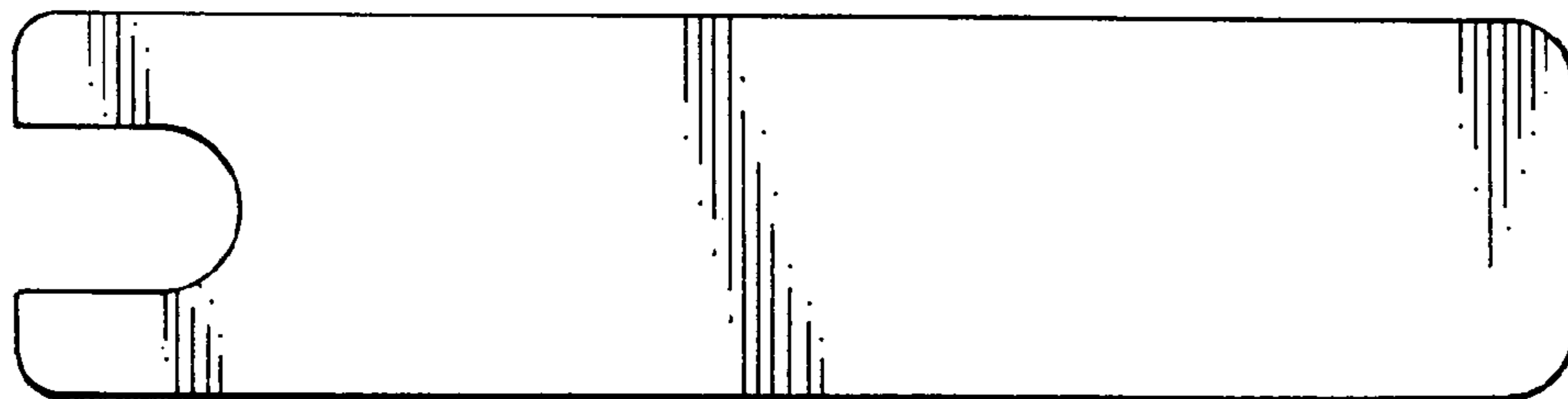


FIG. 4



FIG. 5