



US00D558540S

(12) **United States Design Patent**
White et al.

(10) **Patent No.:** **US D558,540 S**
(45) **Date of Patent:** **** Jan. 1, 2008**

(54) **THUMB UTENSIL WITH CUTTING BOARD**

(75) Inventors: **Jackson Wells White**, Rock Hill, SC (US); **Daniel Lee Bizzell**, Davidson, NC (US); **Tom J. Philpott**, Charlotte, NC (US)

(73) Assignee: **Wonder Thumb Products, LLC**, Rock Hill, SC (US)

(**) Term: **14 Years**

(21) Appl. No.: **29/281,339**

(22) Filed: **Jun. 20, 2007**

Related U.S. Application Data

(63) Continuation of application No. 11/205,847, filed on Aug. 17, 2005.

(51) **LOC (8) Cl.** **07-06**

(52) **U.S. Cl.** **D7/693**; D4/116; D29/114; D7/698

(58) **Field of Classification Search** D7/693, D7/669, 368, 698; D4/103, 116; D8/3; D29/113, D29/114; 7/121; 223/101; 2/16, 21; 30/123, 30/279.6, 298, 295, 123.5, 396.1, 113.1, 232, 30/294

See application file for complete search history.

(56) **References Cited**

U.S. PATENT DOCUMENTS

885,569 A * 4/1908 Berquist 30/298

D218,723 S * 9/1970 Westbrook D7/693
3,734,003 A * 5/1973 Gerson D7/693
D263,917 S * 4/1982 McCulley D7/693
D340,585 S * 10/1993 Kirk D4/136
6,808,068 B2 * 10/2004 Abada D4/103

* cited by examiner

Primary Examiner—Terry A Wallace

(74) *Attorney, Agent, or Firm*—Tillman Wright, PLLC; Chad D. Tillman; James D. Wright

(57) **CLAIM**

The ornamental design for a thumb utensil with cutting board, as shown.

DESCRIPTION

FIG. 1 is a front perspective view of a thumb utensil with cutting board showing our new design;

FIG. 2 is a rear perspective view thereof;

FIG. 3 is a top plan view thereof;

FIG. 4 is a bottom plan view thereof;

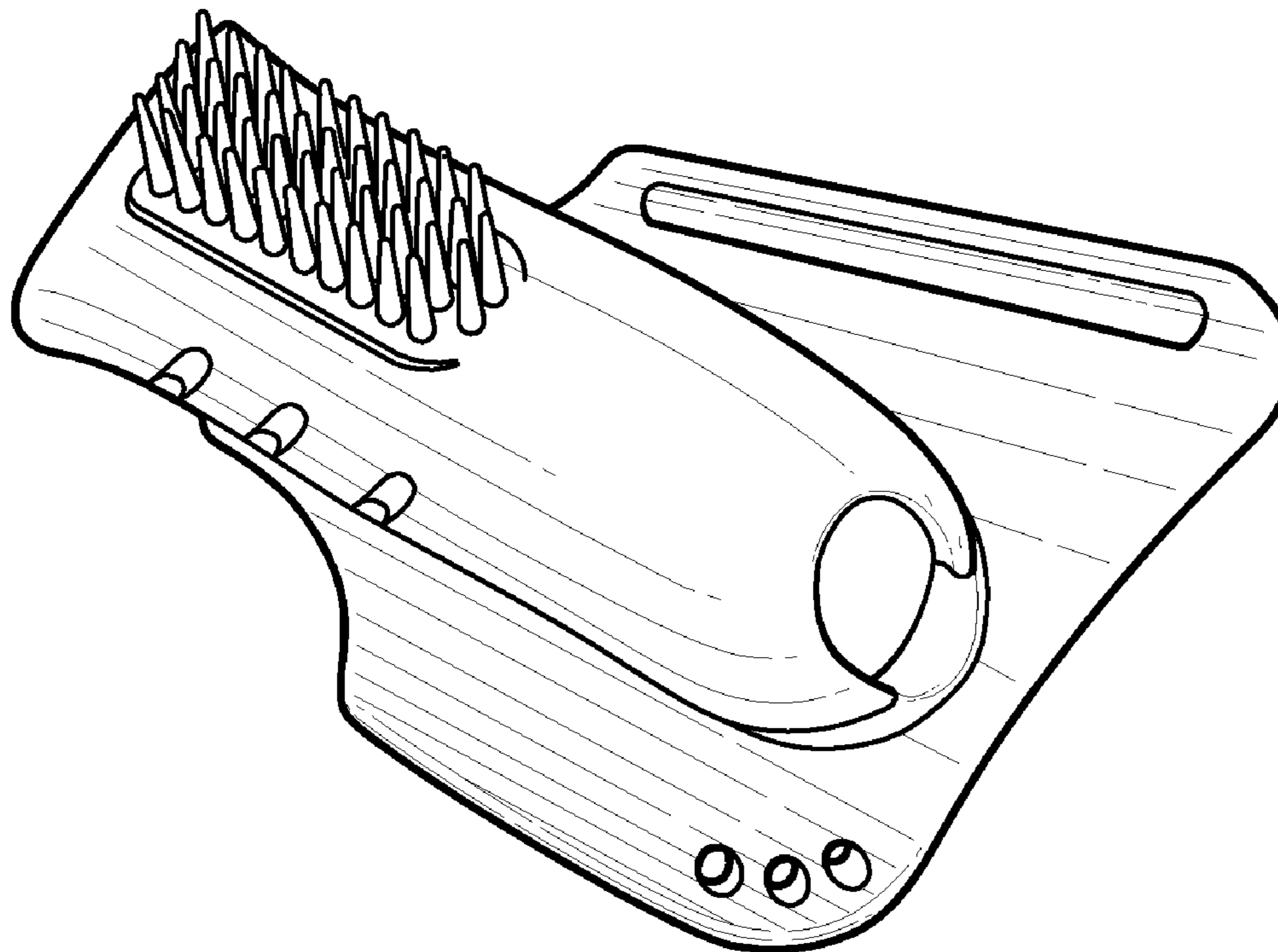
FIG. 5 is a side view thereof;

FIG. 6 is an opposite side view thereof;

FIG. 7 is a front view thereof; and,

FIG. 8 is a rear view thereof.

1 Claim, 4 Drawing Sheets



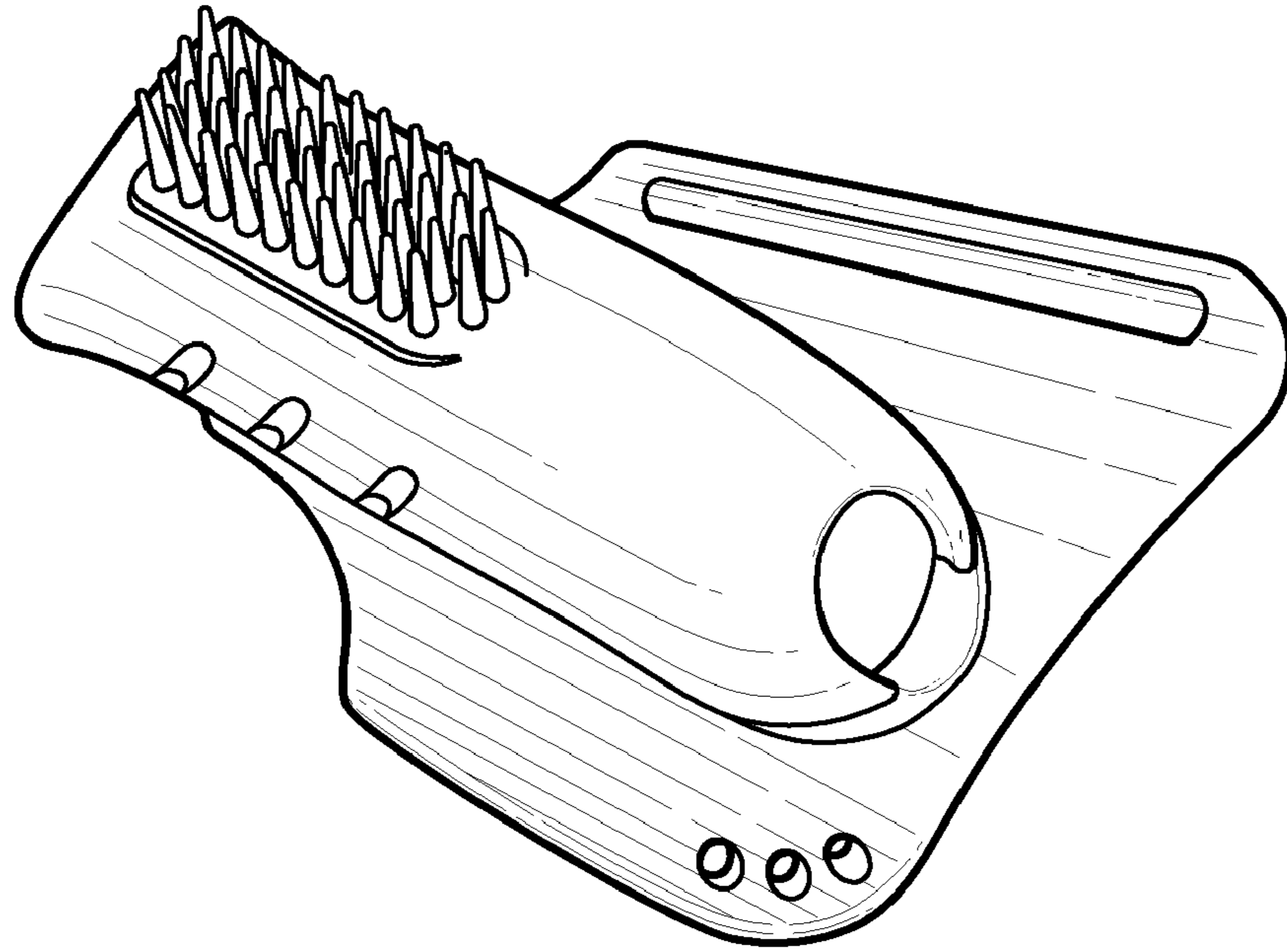


FIG. 1

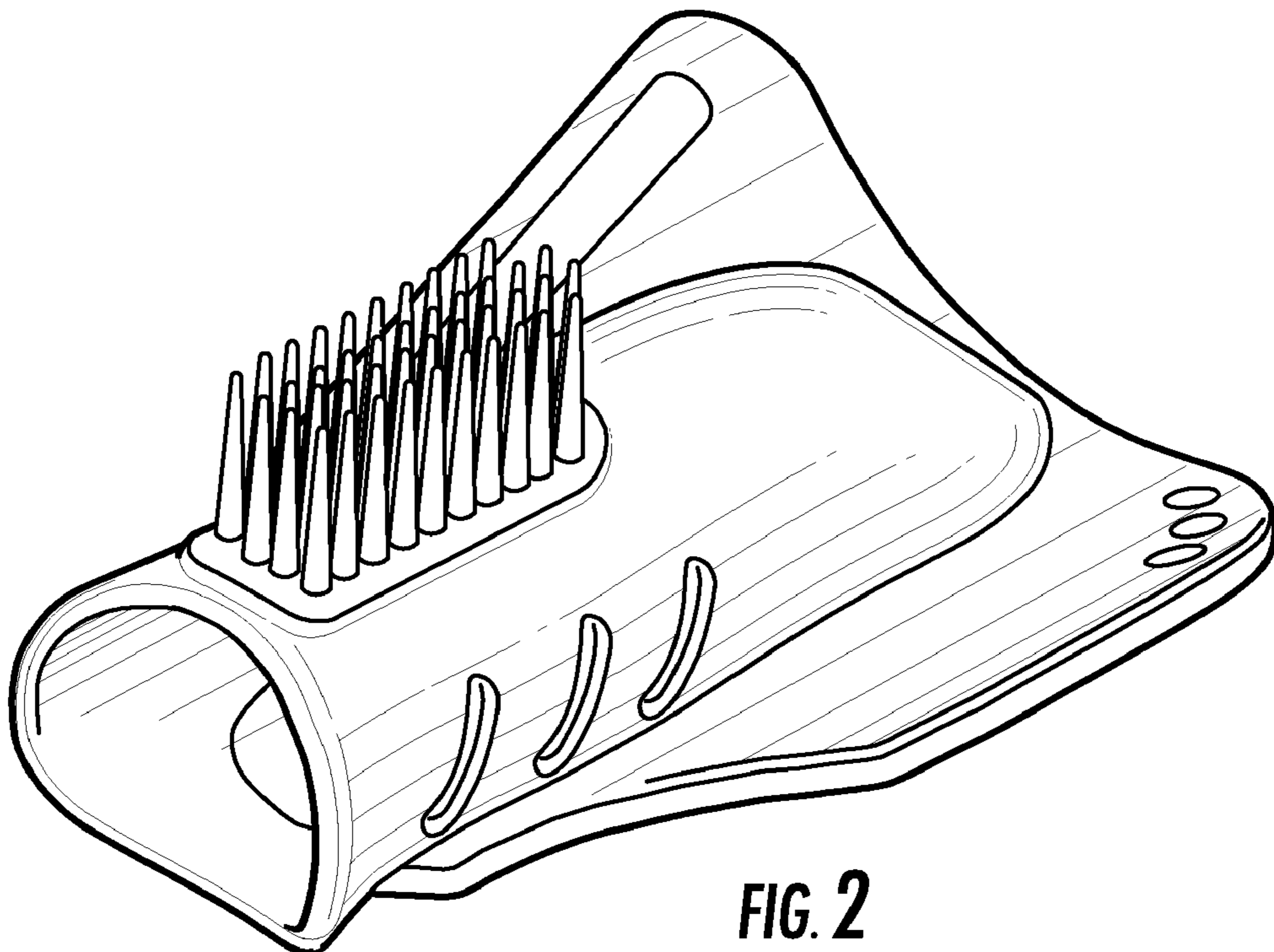


FIG. 2

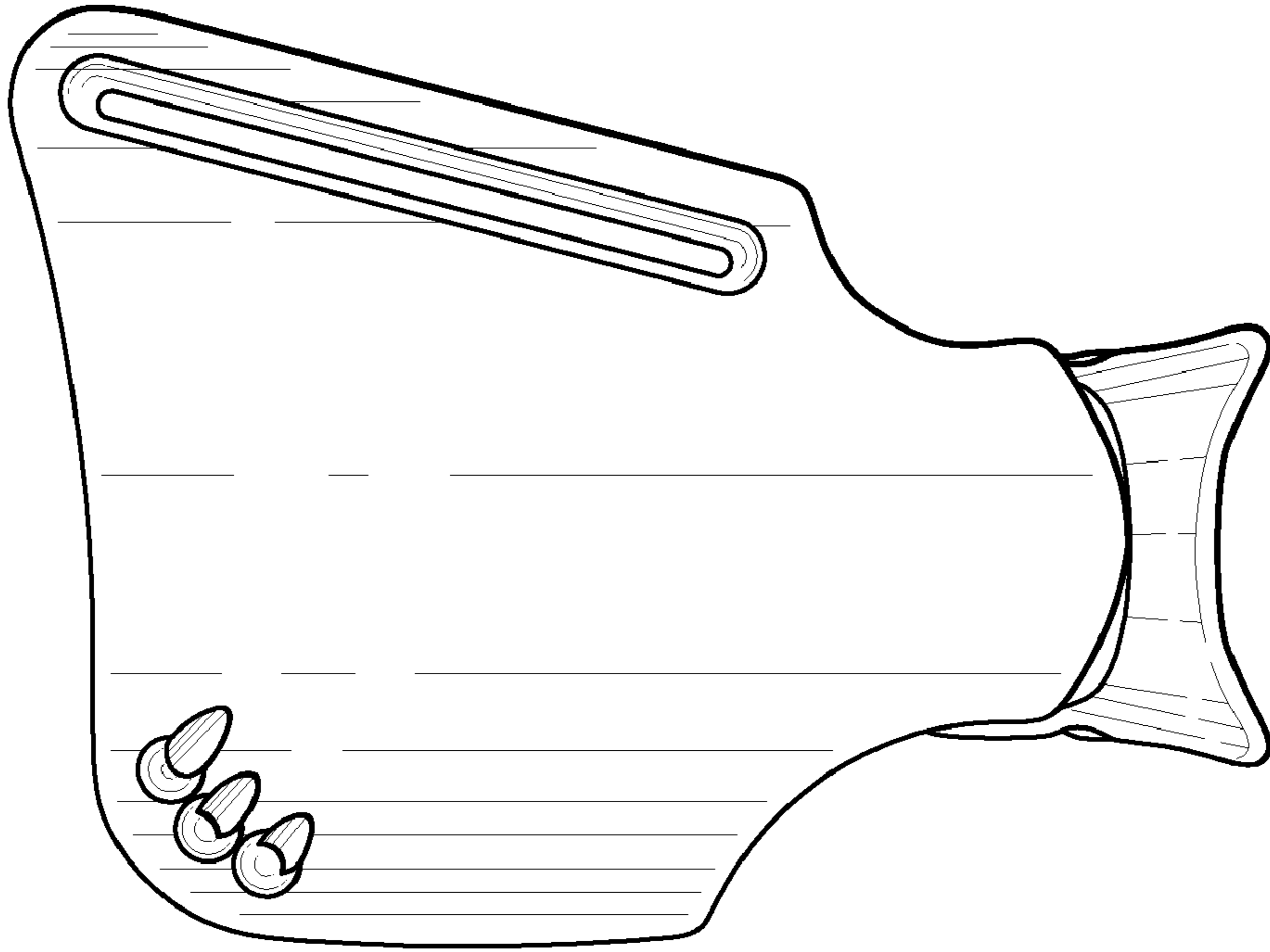


FIG. 4

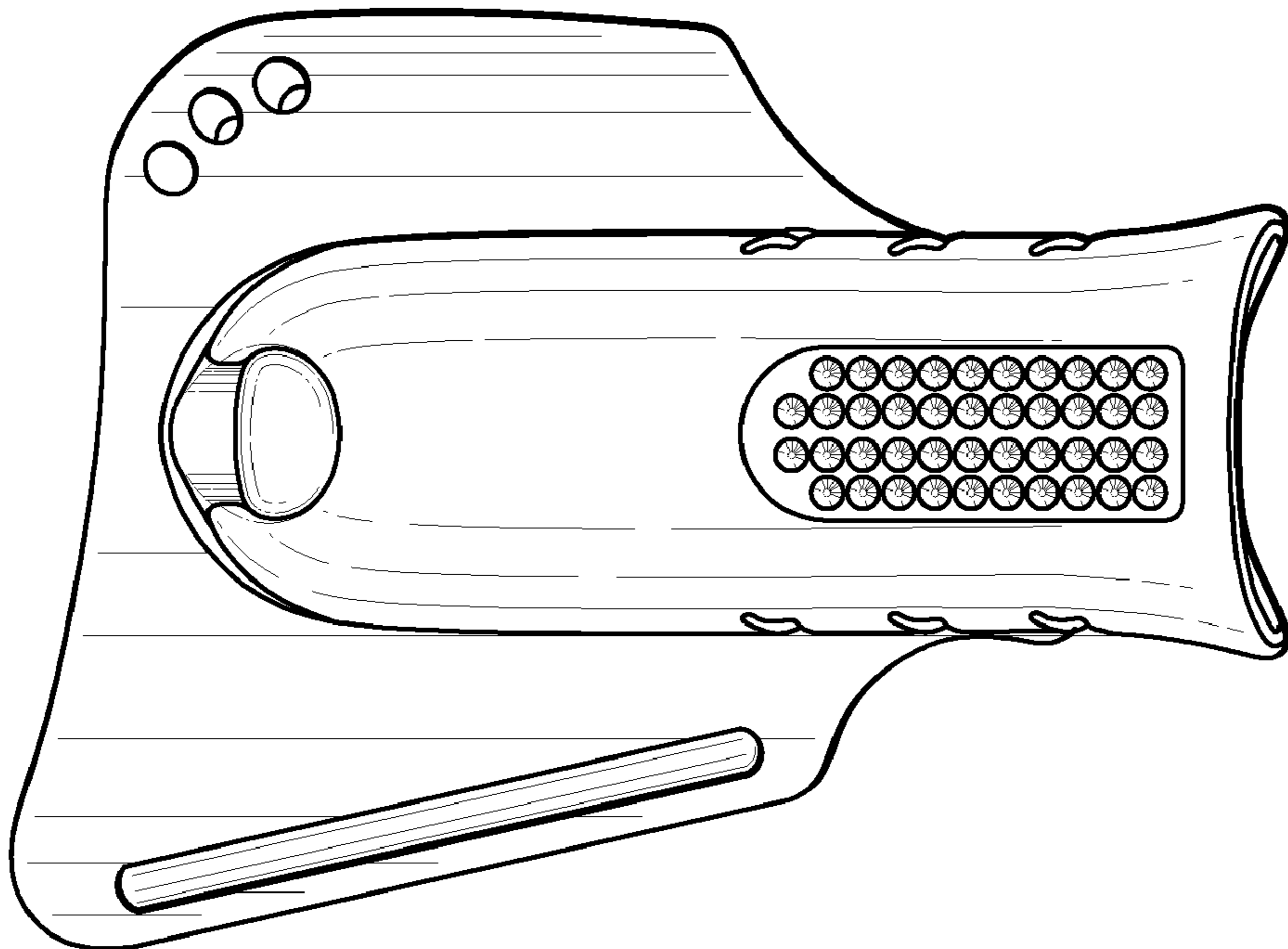


FIG. 3

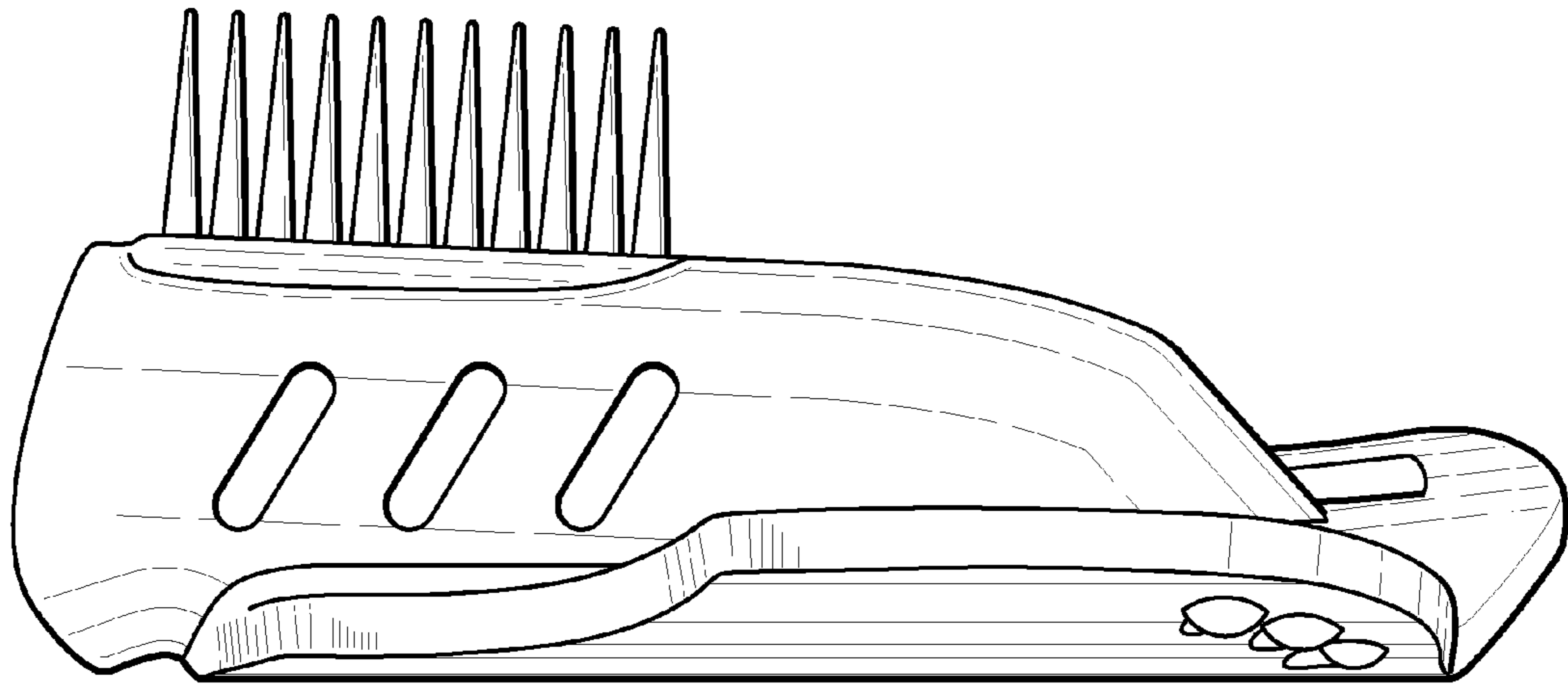


FIG. 5

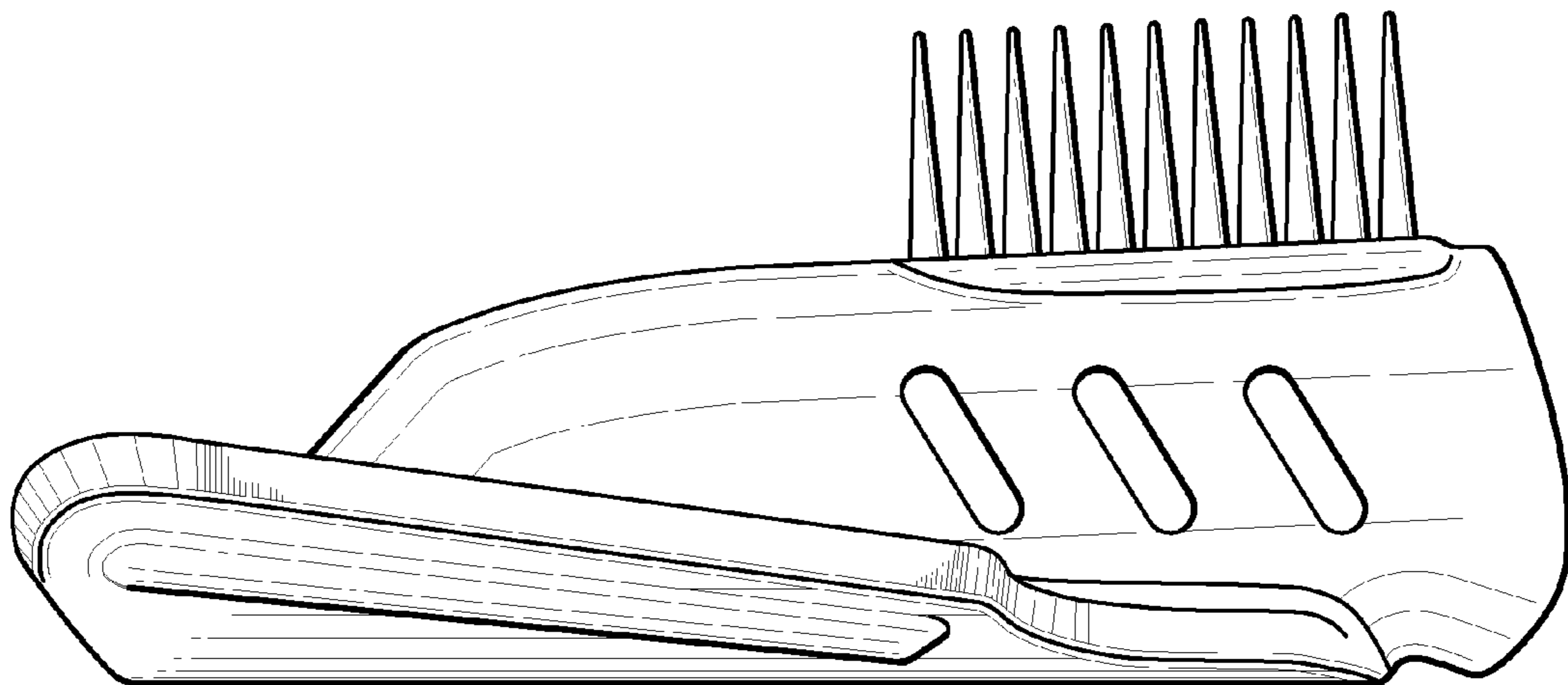


FIG. 6

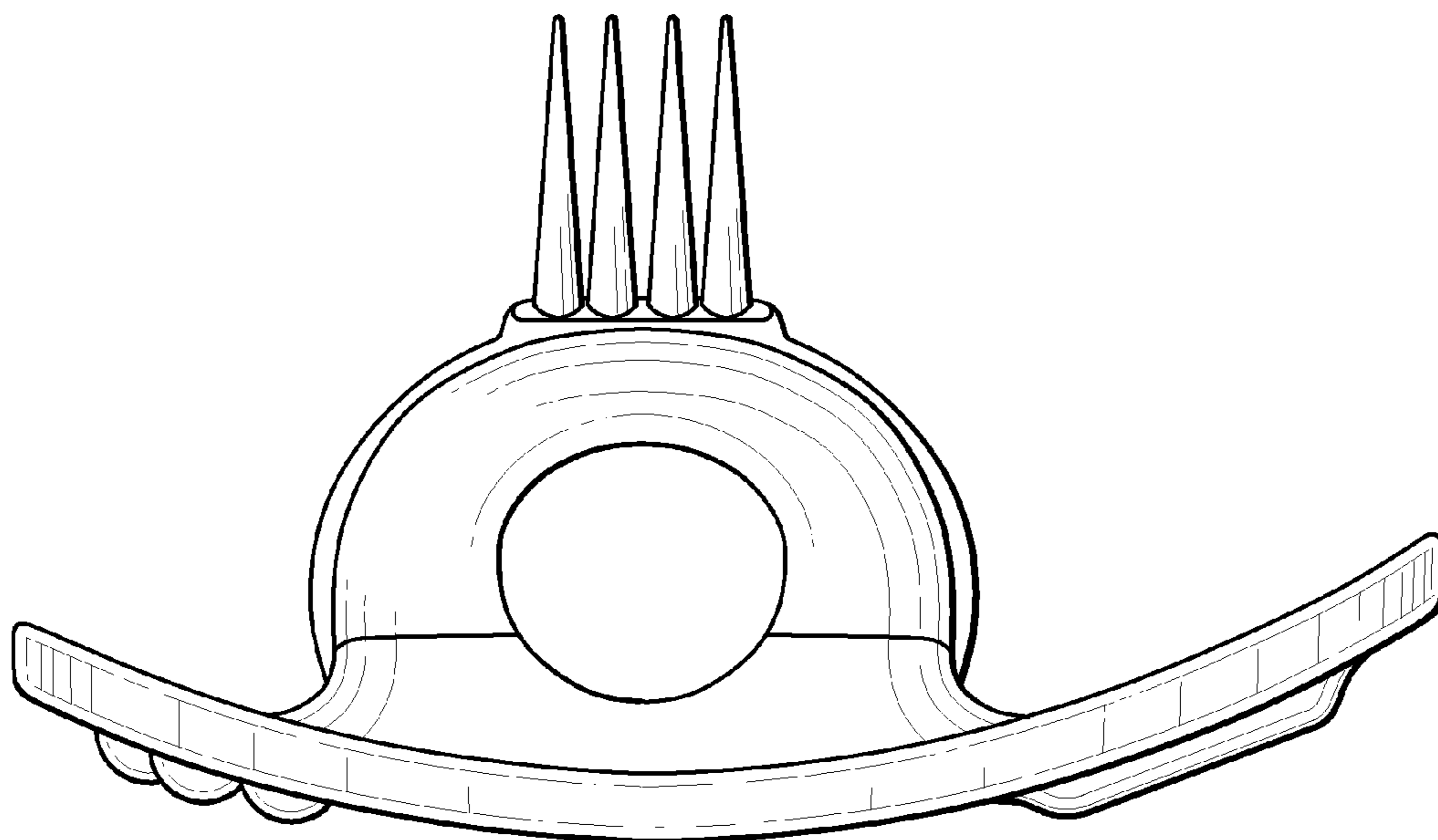


FIG. 7

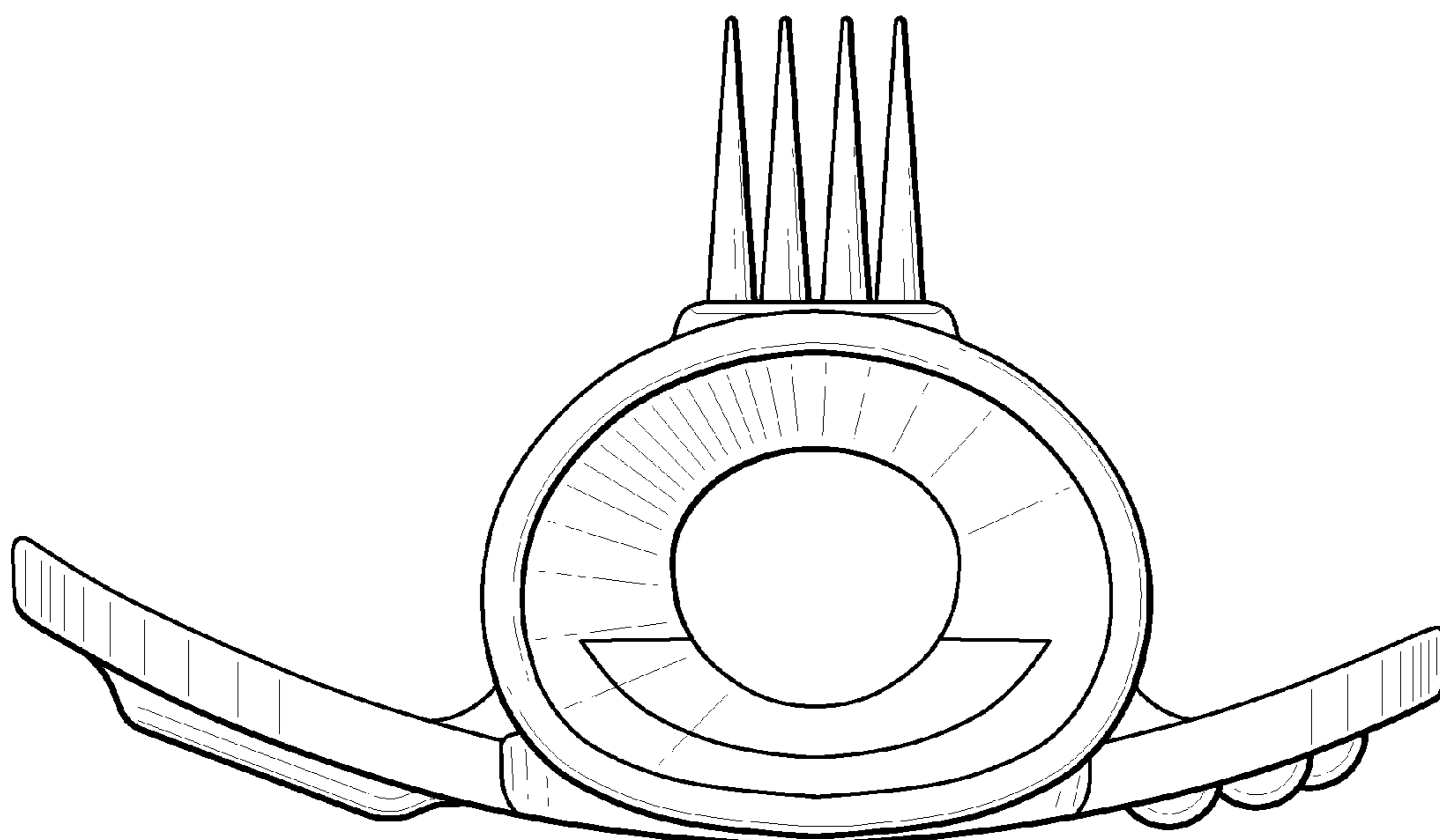


FIG. 8