



US00D558539S

(12) **United States Design Patent**
Curtin

(10) **Patent No.:** **US D558,539 S**
(45) **Date of Patent:** **** Jan. 1, 2008**

(54) **COLLAPSIBLE STRAINER**
(75) Inventor: **Heather Curtin**, Renton, WA (US)
(73) Assignee: **Progressive International Corp.**, Kent, WA (US)
(**) Term: **14 Years**
(21) Appl. No.: **29/278,238**
(22) Filed: **Mar. 22, 2007**

6,736,285 B2 5/2004 Stewart-Stand
6,758,348 B2 7/2004 Adkins
D502,847 S 3/2005 Leonori
2003/0217649 A1 11/2003 Leonori
2005/0127074 A1 6/2005 Kusuma et al.
2006/0060522 A1 3/2006 Bushey
2006/0096929 A1 5/2006 Repp et al.

FOREIGN PATENT DOCUMENTS

GB 2028675 3/1980
JP 09-192031 7/1997
WO 2006054168 5/2006

OTHER PUBLICATIONS

“One Source for Silicone Innovation”, Oexas International, Ltd.; ww.dexas.com; 1 page; 2006.
“Strainer”, Good Oesign 2005, Norman Copenhagen, <http://w.norman-copenhagen.com/the1.html>, 1 page, Printed Jul. 13, 2006.
“Prepology Set of 3 Silicone Collapsible Colanders,” QVC, <http://ww.qvc.com/scripts/detail.dll>, 5 pages, Printed Jul. 5, 2006.
“The Normann Collapsible Colander,” Smart Stuff, www.smartstuff.se; 2 pages, Aug. 2005.

* cited by examiner

Primary Examiner—Terry A Wallace
(74) *Attorney, Agent, or Firm*—Black Lowe & Graham, PLLC

(51) **LOC (8) Cl.** **07-04**
(52) **U.S. Cl.** **D7/667**
(58) **Field of Classification Search** D7/667,
D7/668, 400; 210/464, 465, 470–478, 498,
210/499; 99/495, 501–513
See application file for complete search history.

(56) **References Cited**

U.S. PATENT DOCUMENTS

1,675,855 A 7/1928 Kogler et al.
2,456,912 A 12/1948 Burrows
2,464,921 A 3/1949 Chandler
2,520,382 A 8/1950 Conrad et al.
2,808,938 A 10/1957 Glover
D199,320 S 10/1964 Swett
3,300,048 A 1/1967 Pollock
D237,032 S * 10/1975 Montesi D7/667
4,220,534 A 9/1980 Perry
4,419,103 A 12/1983 Balkan
D272,972 S 3/1984 De Coster
D286,490 S 11/1986 Carlson
4,622,146 A 11/1986 O’Brien
D314,315 S * 2/1991 Darnell D7/667
5,035,800 A 7/1991 Kopach
D334,691 S * 4/1993 Feer D7/667
D359,202 S 6/1995 Cousins et al.
5,439,128 A 8/1995 Fishman
6,035,766 A 3/2000 Schirmer
D433,884 S 11/2000 Fujimoto
6,202,542 B1 3/2001 Melton
D450,547 S * 11/2001 Lo D7/667
D456,221 S * 4/2002 Tse D7/667

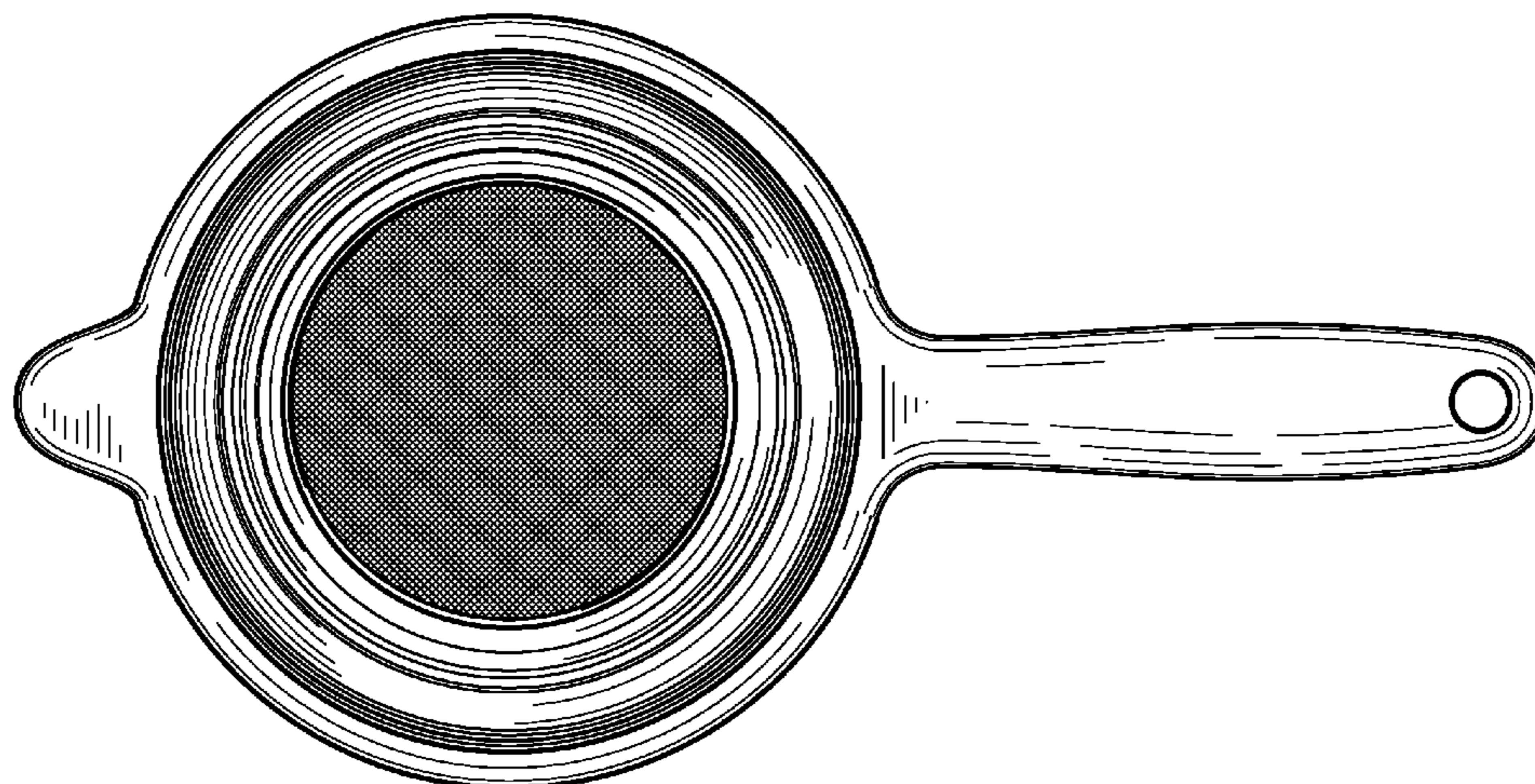
(57) **CLAIM**

I claim the ornamental design for the collapsible strainer, as shown and described.

DESCRIPTION

FIG. 1 is a top view of the collapsible strainer;
FIG. 2 is a front view of the collapsible strainer, the back side being a mirror-image;
FIG. 3 is a left side view of the collapsible strainer;
FIG. 4 is a right side view of the collapsible strainer;
FIG. 5 is a bottom view of the collapsible strainer; and,
FIG. 6 is a perspective view of the collapsible strainer.

1 Claim, 3 Drawing Sheets



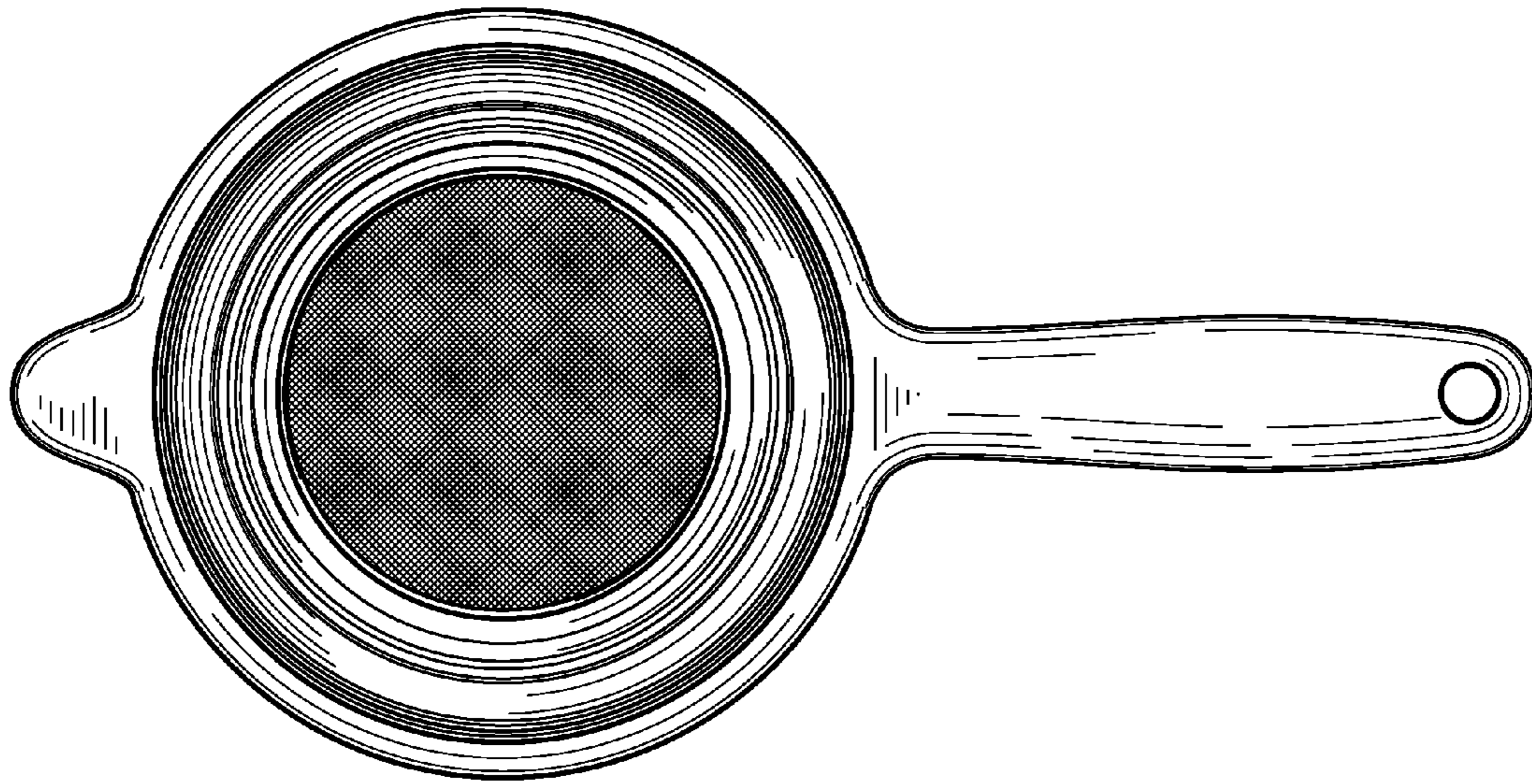


FIG.1

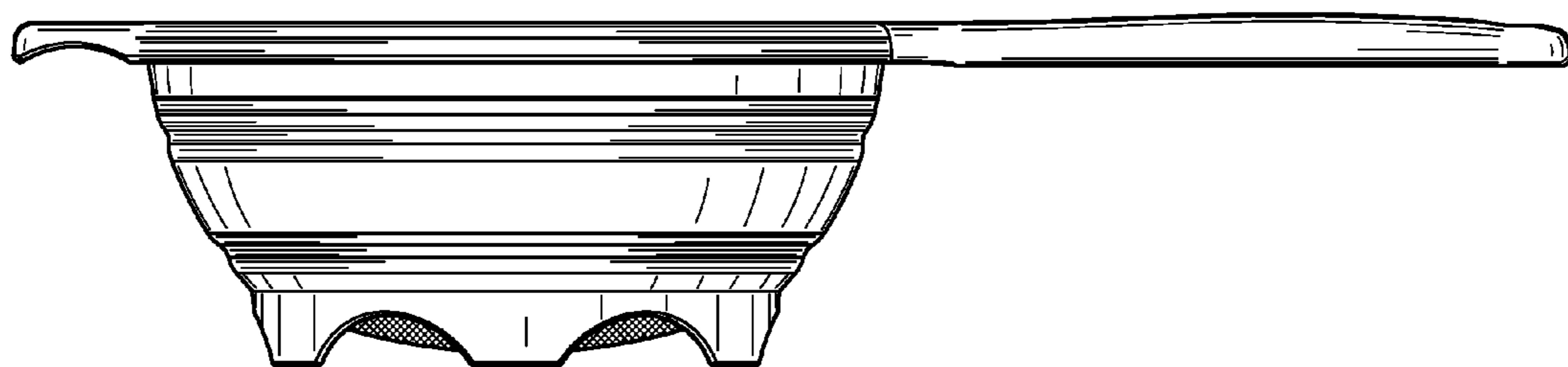


FIG.2

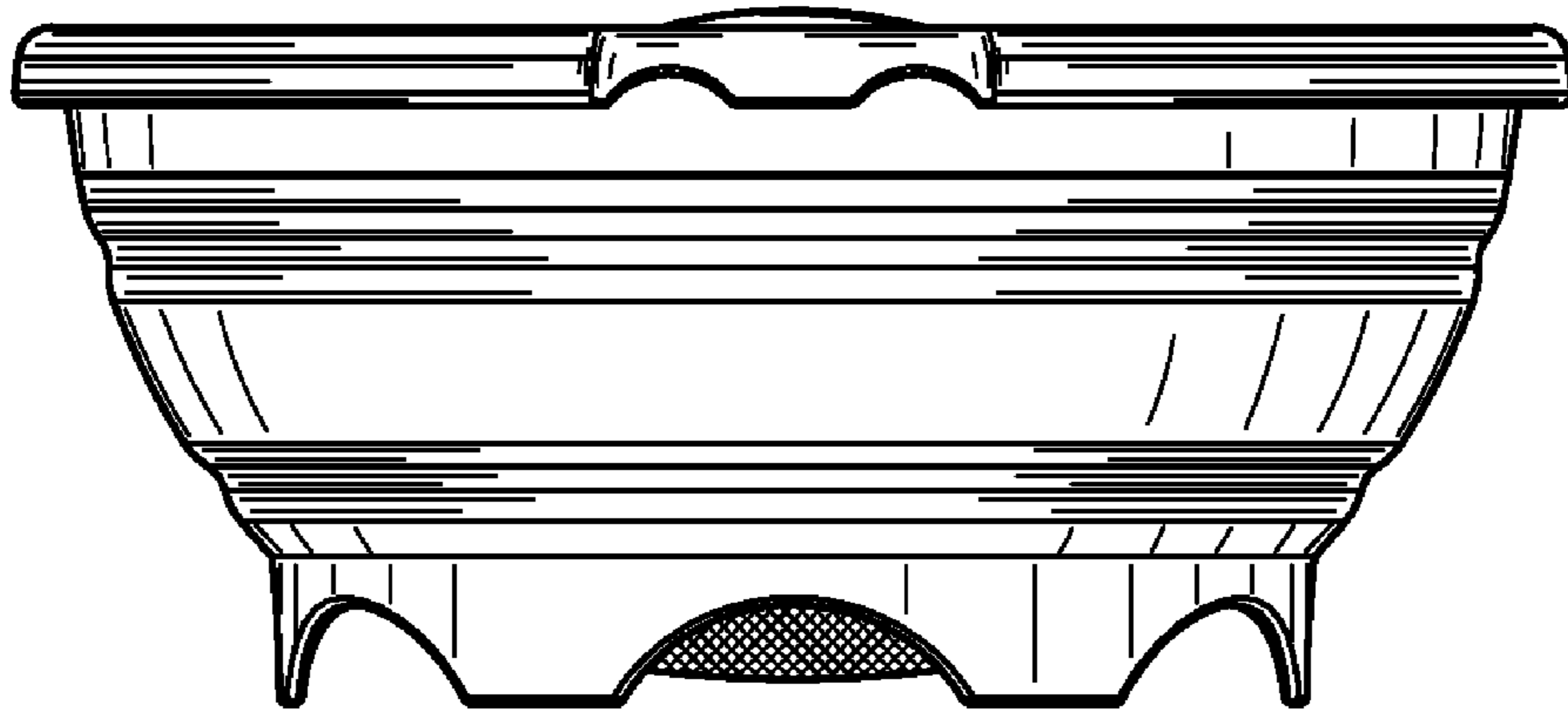


FIG. 3

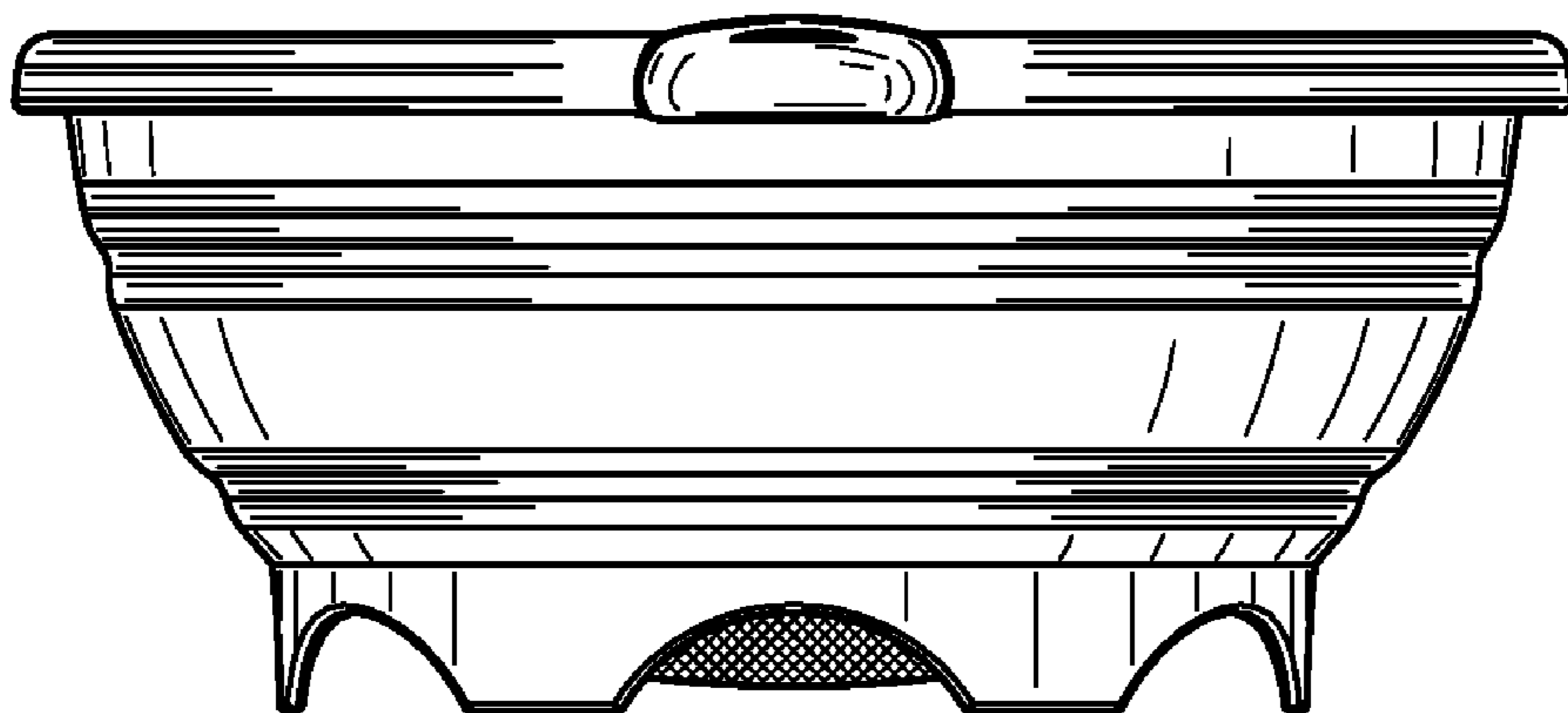


FIG. 4

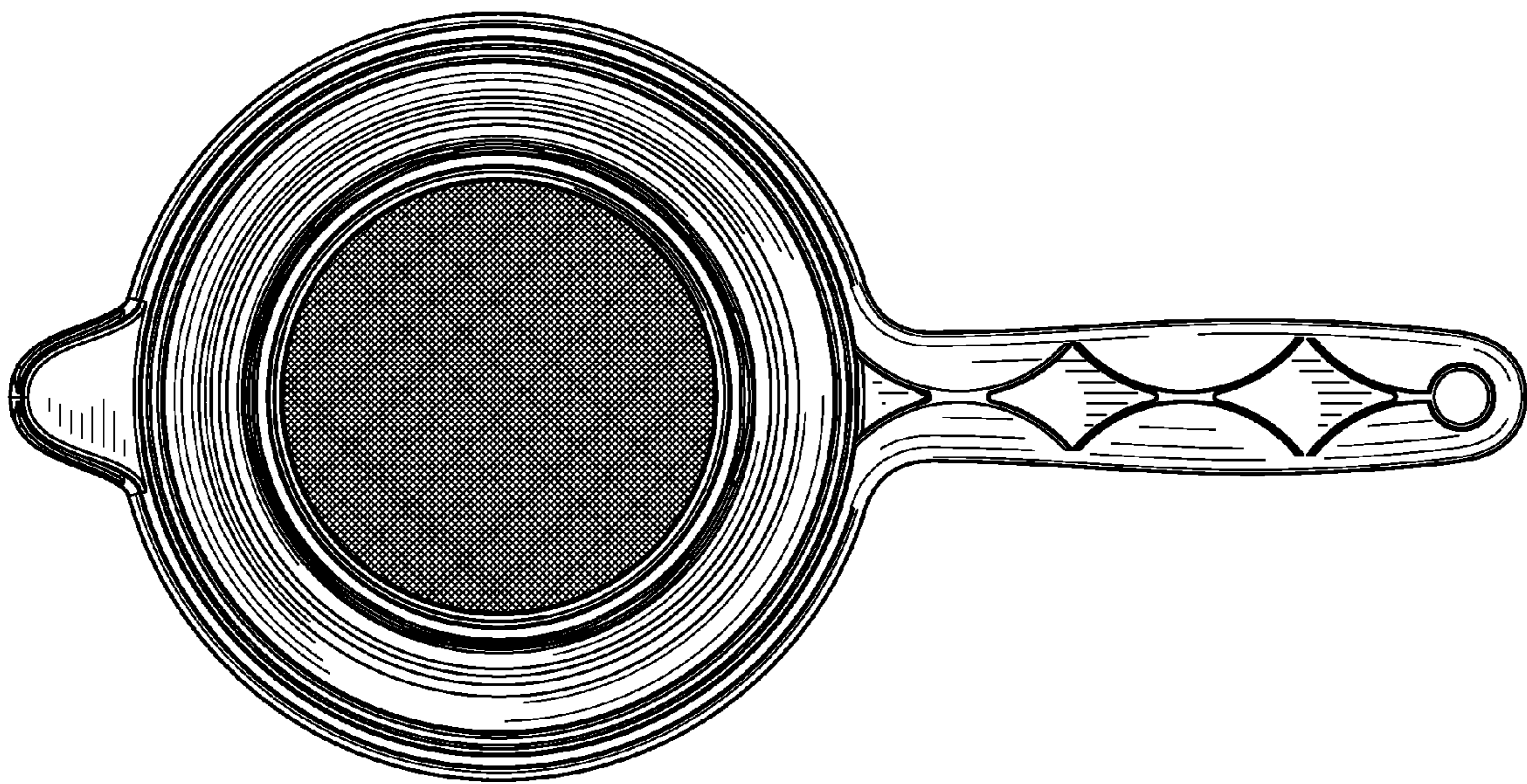


FIG. 5

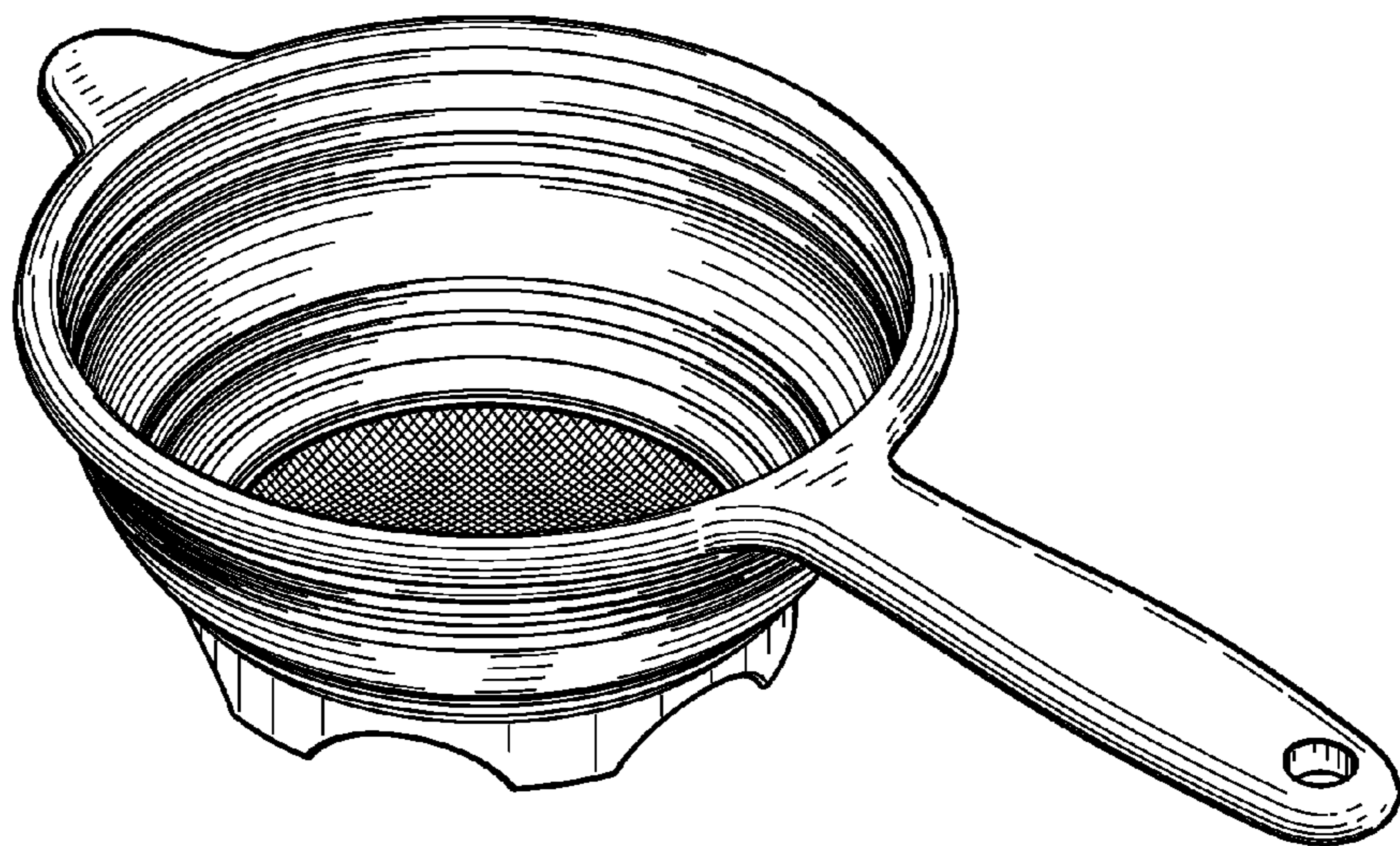


FIG. 6