



US00D558535S

(12) **United States Design Patent**
Curtin

(10) **Patent No.:** **US D558,535 S**

(45) **Date of Patent:** **** Jan. 1, 2008**

(54) **COLLAPSIBLE OVER THE SINK COLANDER**

(75) Inventor: **Heather Curtin**, Renton, WA (US)

(73) Assignee: **Progressive International Corp.**, Kent, WA (US)

(**) Term: **14 Years**

(21) Appl. No.: **29/276,893**

(22) Filed: **Feb. 8, 2007**

(51) **LOC (8) Cl.** **07-04**

(52) **U.S. Cl.** **D7/667**

(58) **Field of Classification Search** D7/667,
D7/668, 400; 210/464, 465, 470-478, 498,
210/499; 99/495, 501-513; 220/8; D32/55;
211/85.25, 126.1

See application file for complete search history.

(56) **References Cited**

U.S. PATENT DOCUMENTS

1,389,908	A *	9/1921	Shults et al.	211/85.25
1,675,855	A	7/1928	Kogler et al.		
2,456,912	A	12/1948	Burrows		
2,464,921	A	3/1949	Chandler		
2,520,382	A	8/1950	Conrad et al.		
2,808,936	A	10/1957	Glover		
D244,827	S *	6/1977	Nevai	D32/55

(Continued)

FOREIGN PATENT DOCUMENTS

GB	2028675	3/1980
JP	09-192031	7/1997
WO	2006054168	5/2006

OTHER PUBLICATIONS

“One Source for Silicone Innovation”, Dexas International, Ltd.; www.dexas.com; 1 page; 2006.

(Continued)

Primary Examiner—Terry A Wallace

(74) *Attorney, Agent, or Firm*—Black Lowe & Graham, PLLC

(57) **CLAIM**

I claim the ornamental design for the collapsible over the sink colander, as shown and described.

DESCRIPTION

FIG. 1 is a top view of the collapsible over the sink colander; FIG. 2 is a front view of the collapsible over the sink colander;

FIG. 3 is a back view of the collapsible over the sink colander;

FIG. 4 is a bottom view of the collapsible over the sink colander;

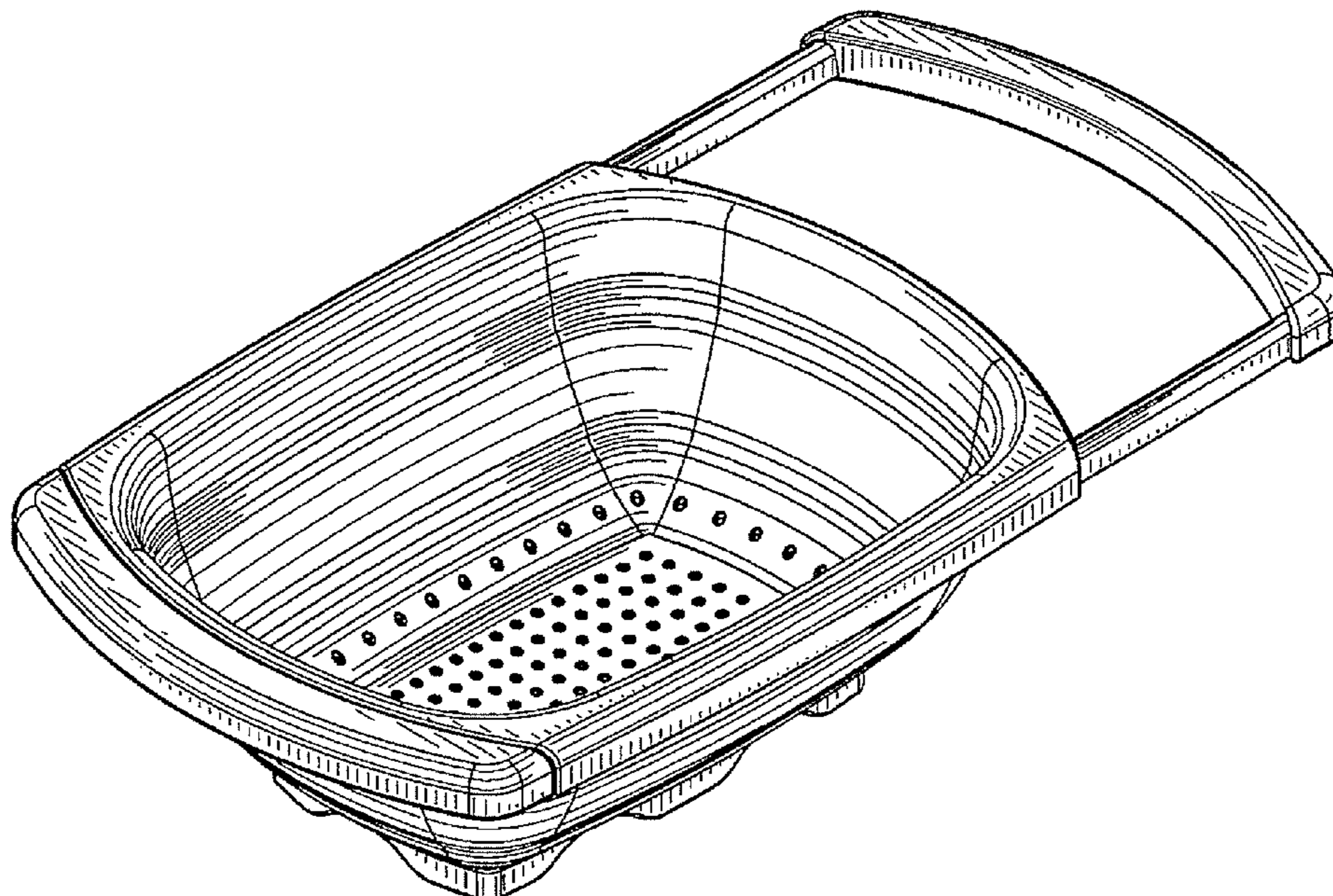
FIG. 5 is a left side view of the collapsible over the sink colander;

FIG. 6 is a right side view of the collapsible over the sink colander;

FIG. 7 is a perspective view of the collapsible over the sink colander; and,

FIG. 8 is a perspective view of the collapsible over the sink colander, shown with the extension arm in a retracted position.

1 Claim, 4 Drawing Sheets



US D558,535 S

Page 2

U.S. PATENT DOCUMENTS

4,033,461 A * 7/1977 Nevai 211/85.25
4,220,534 A 9/1980 Perry
D272,972 S 3/1984 De Coster
4,622,146 A 11/1986 O'Brien
5,035,800 A 7/1991 Kopach
D346,725 S * 5/1994 Kolada D7/667
D359,202 S 6/1995 Cousins et al.
D361,272 S * 8/1995 Craft et al. D7/698
5,439,128 A 8/1995 Fishman
6,035,766 A 3/2000 Schirmer
6,202,542 B1 3/2001 Melton
6,547,080 B1 * 4/2003 Guard 210/464
6,736,285 B2 5/2004 Stewart-Stand
6,758,348 B2 7/2004 Adkins
D502,847 S 3/2005 Leonori

D503,313 S * 3/2005 Shamoan D7/667
D514,764 S * 2/2006 Kumagai D32/55
2003/0217649 A1 11/2003 Leonori
2005/0127074 A1 6/2005 Kusuma et al.
2006/0060522 A1 3/2006 Bushey
2006/0096929 A1 5/2006 Repp et al.

OTHER PUBLICATIONS

“Strainer”, Good Design 2005, Norman Copenhagen, <http://www.norman-copenhagen.com/the1.html>, 1 page, Printed Jul. 13, 2006.
“Prepology Set of 3 Silicone Collapsible Colanders,” QVC, <http://www.qvc.com/scripts/detail.dll>, 5 pages, Printed Jul. 5, 2006.
“The Norman Collapsible Colander,” Smart Stuff, www.smartstuff.se; 2 pages, Aug. 2005.

* cited by examiner

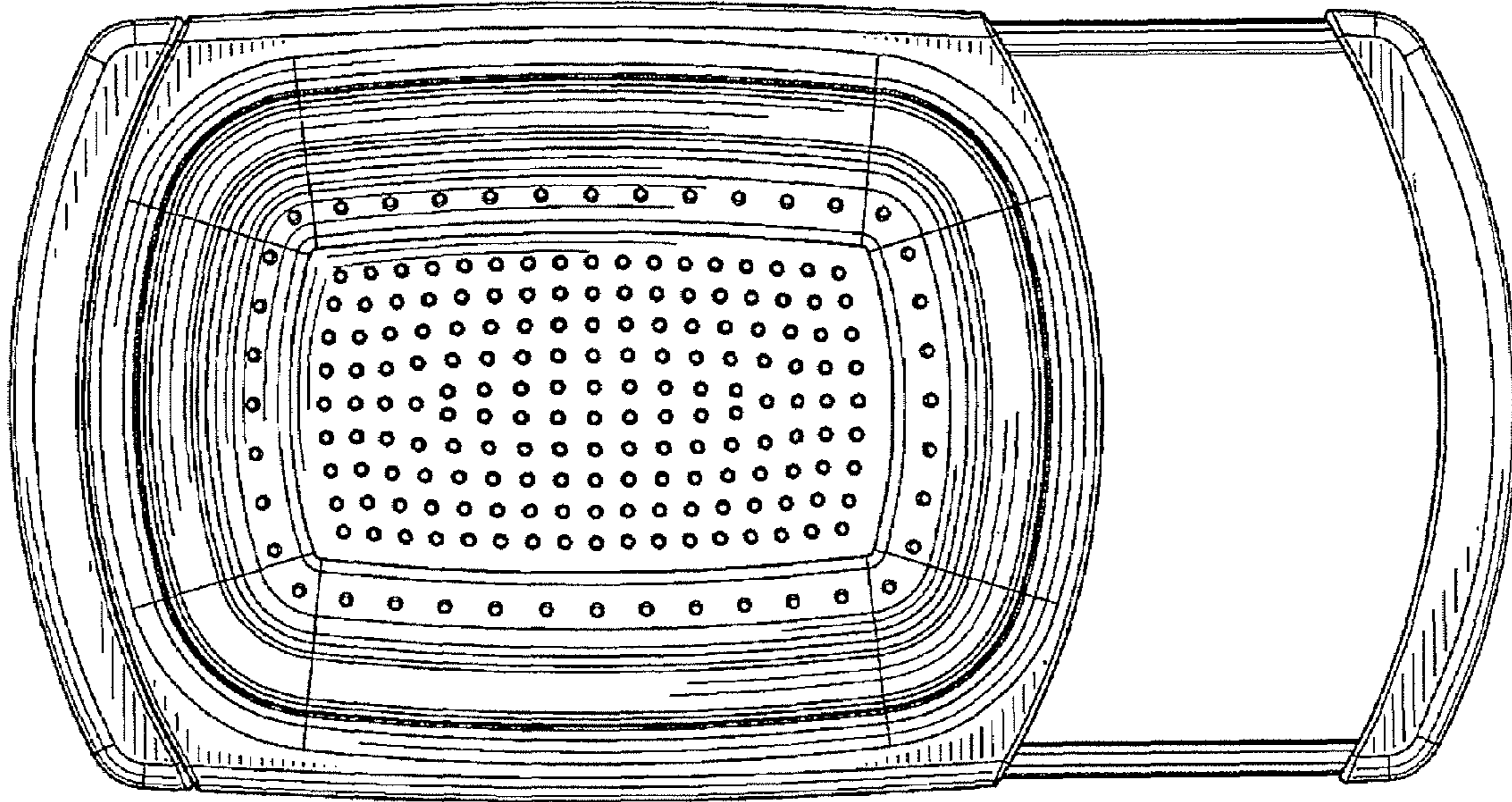


FIG. 1

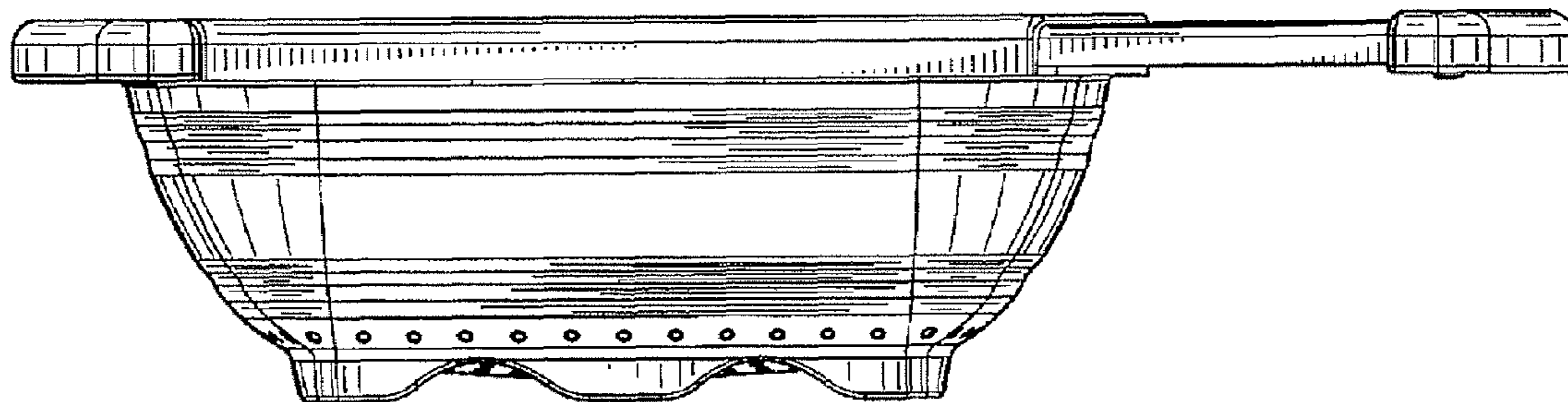


FIG. 2

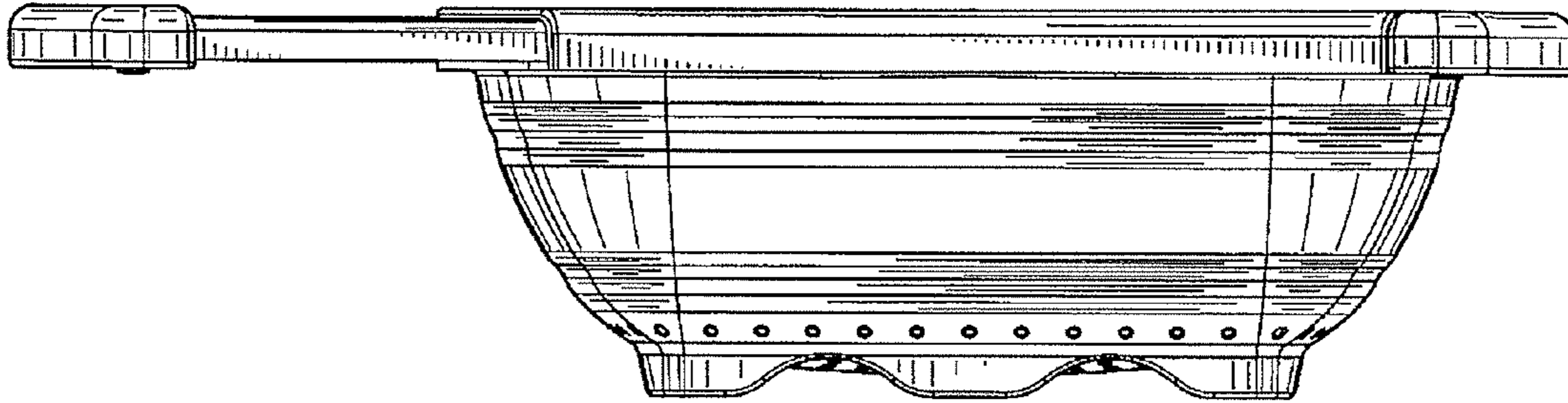


FIG. 3

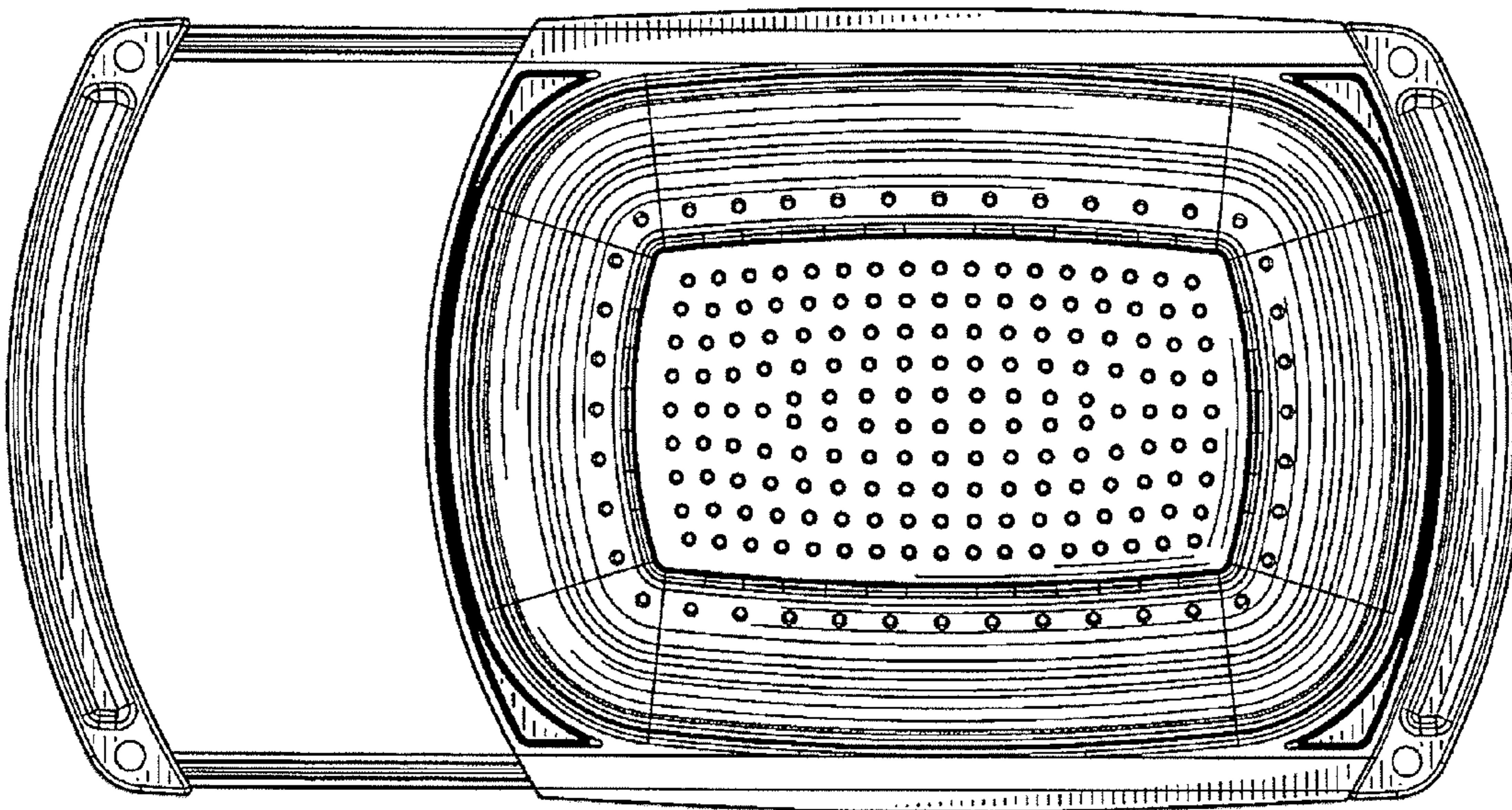


FIG. 4

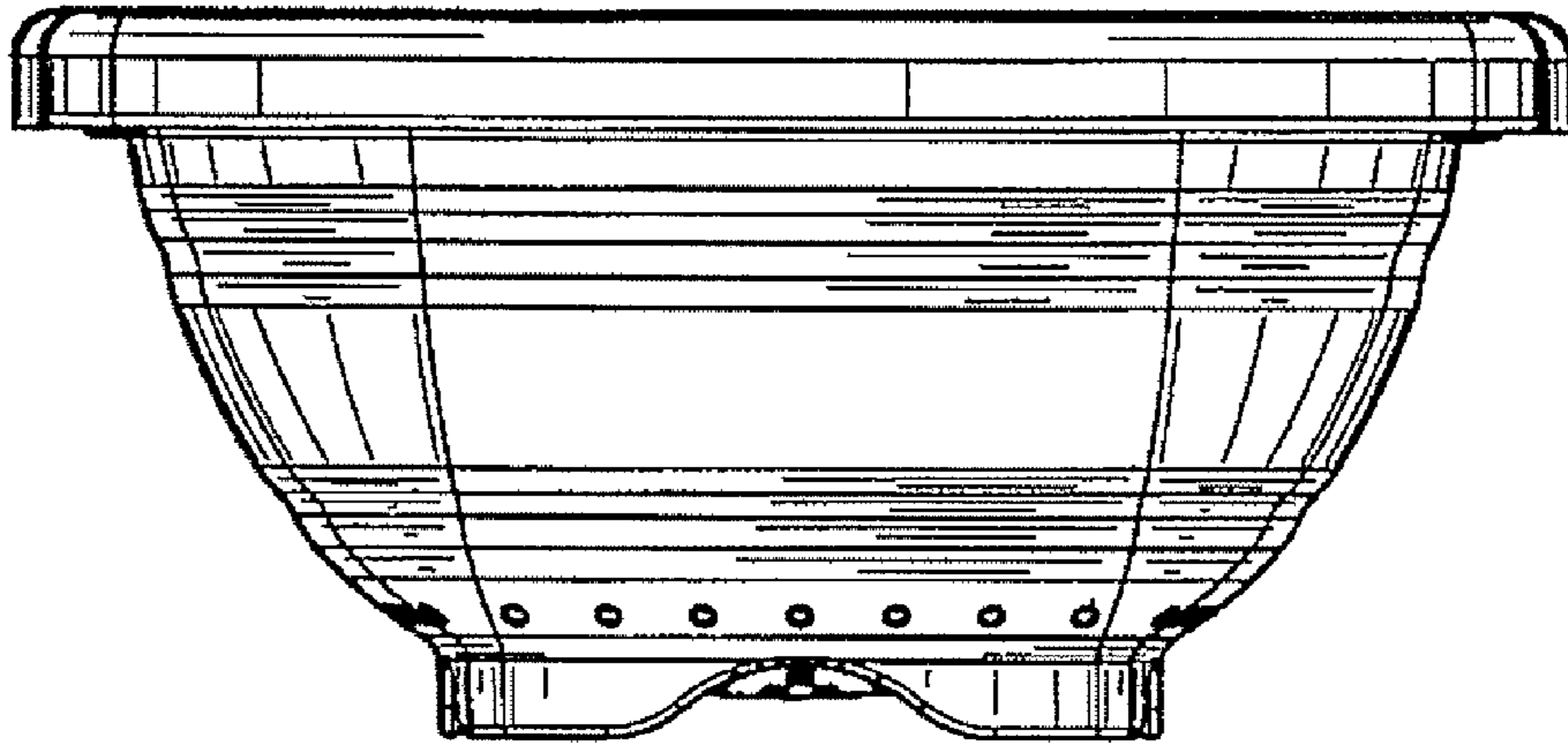


FIG. 5

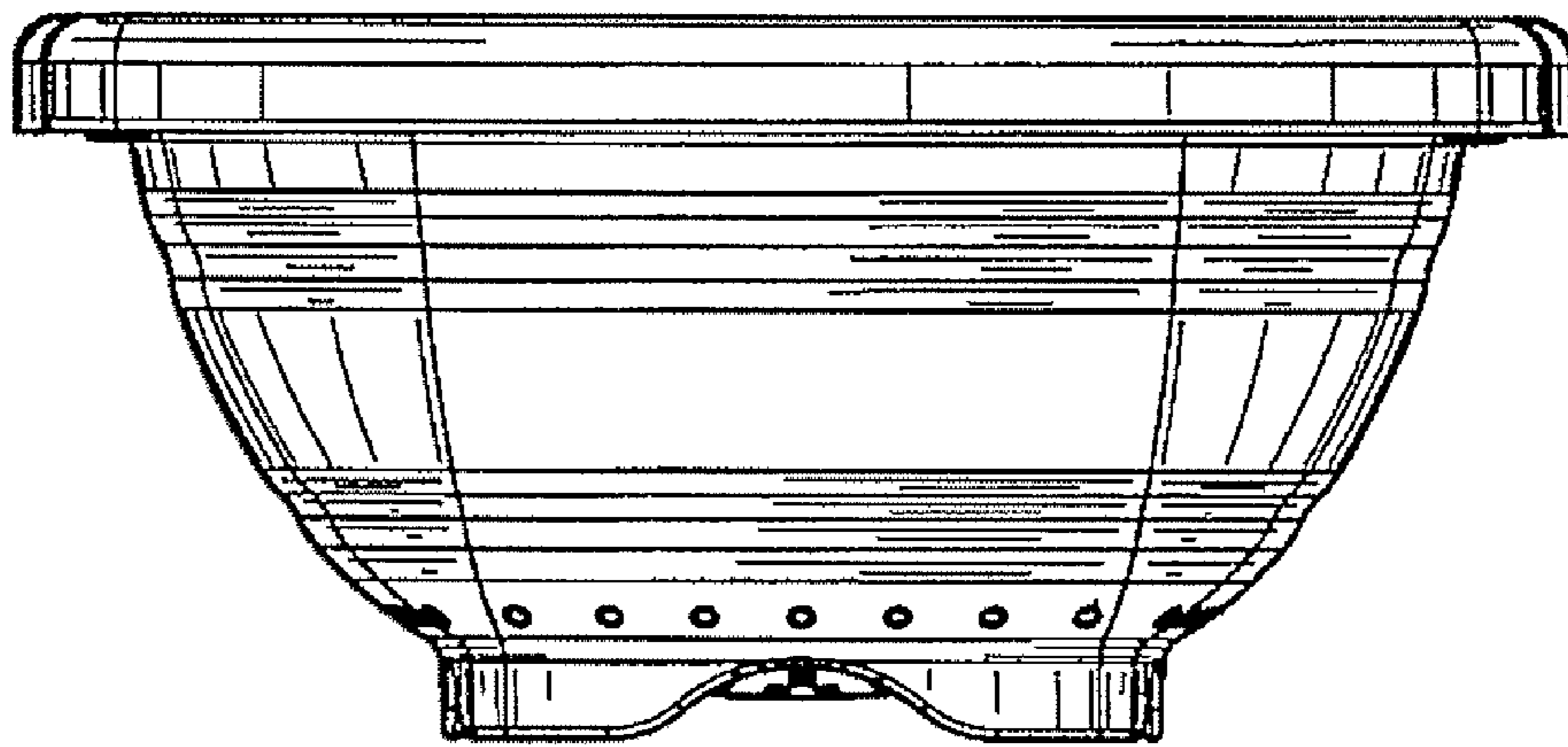


FIG. 6

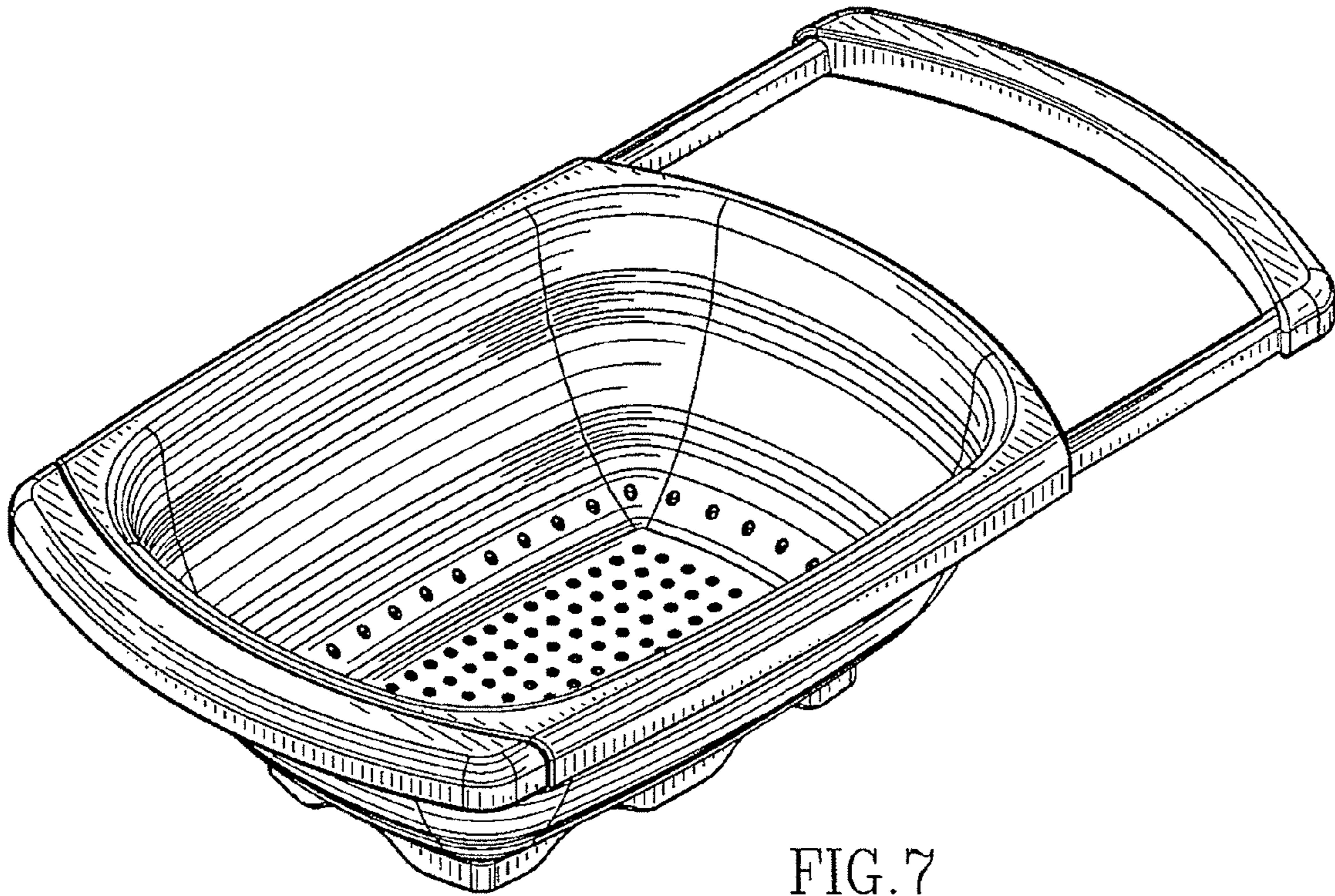


FIG. 7

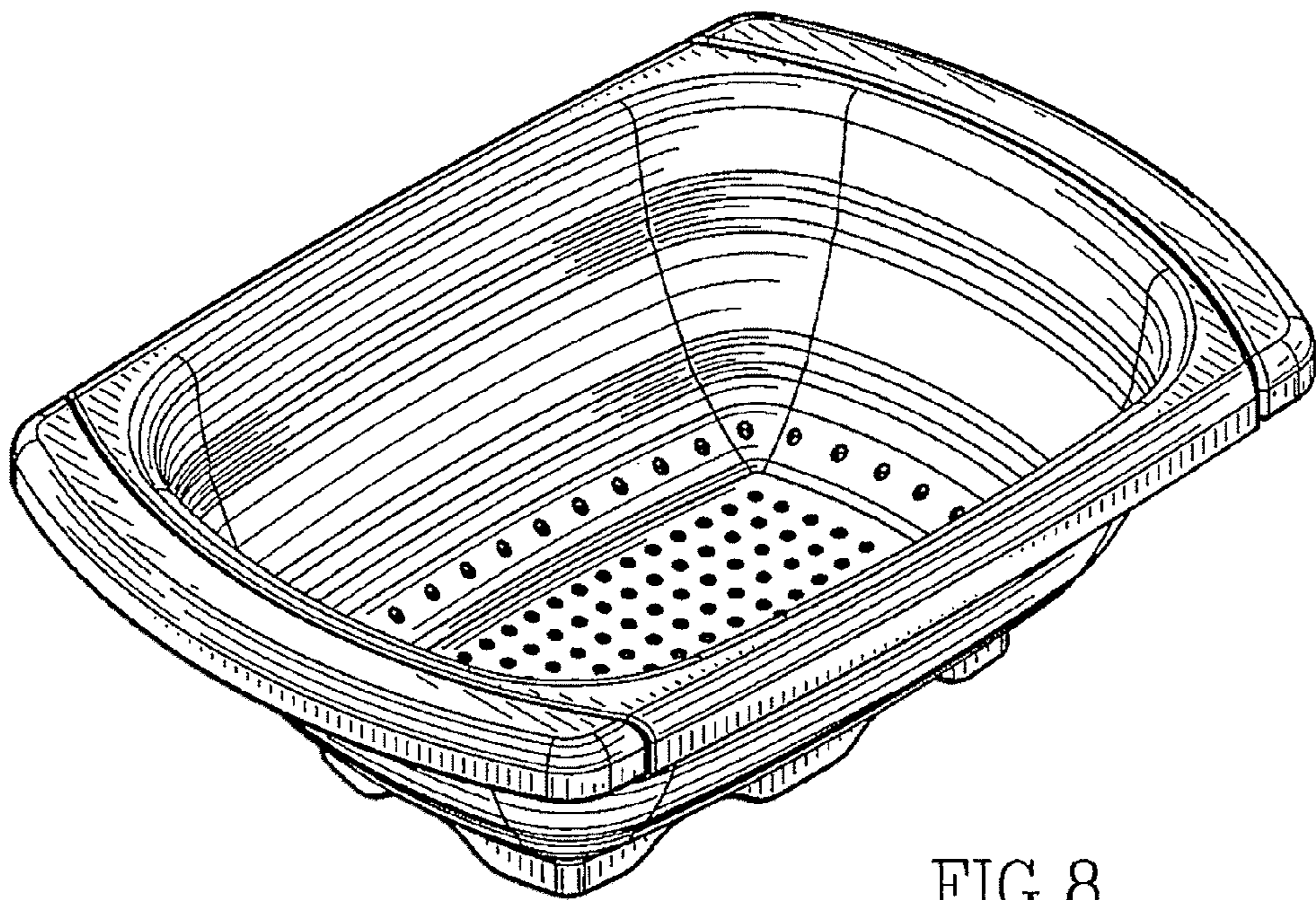


FIG. 8