



US00D558532S

(12) **United States Design Patent**  
**Peterson**

(10) **Patent No.:** **US D558,532 S**

(45) **Date of Patent:** **\*\* Jan. 1, 2008**

(54) **PICKLE KEEPER**

(75) Inventor: **Sarah Peterson**, Seattle, WA (US)

(73) Assignee: **Progressive International Corp.**, Kent, WA (US)

(\*\*) Term: **14 Years**

(21) Appl. No.: **29/277,283**

(22) Filed: **Feb. 20, 2007**

(51) **LOC (8) Cl.** ..... **07-01**

(52) **U.S. Cl.** ..... **D7/615; D7/667**

(58) **Field of Classification Search** ..... D7/601,  
D7/602, 612-615, 629, 538-542; 210/470,  
210/473-483, 523, 244, 359; 220/780-788,  
220/792-799, 805, 660

See application file for complete search history.

(56) **References Cited**

**U.S. PATENT DOCUMENTS**

2,904,205	A *	9/1959	Callery	.....	215/391
3,380,592	A *	4/1968	Arnold	.....	210/244
4,179,040	A *	12/1979	Bateman et al.	.....	220/796
D335,428	S *	5/1993	Picozza et al.	.....	D7/612
5,358,330	A *	10/1994	Moll	.....	206/221
D399,705	S *	10/1998	Bovard et al.	.....	D7/629

D400,005	S *	10/1998	Wolff	.....	D7/612
5,871,116	A *	2/1999	Picchiatti	.....	220/575
D434,612	S *	12/2000	Chang	.....	D7/612
D469,316	S *	1/2003	Quan	.....	D7/615

\* cited by examiner

*Primary Examiner*—Terry A Wallace

(74) *Attorney, Agent, or Firm*—Black Lowe & Graham, PLLC

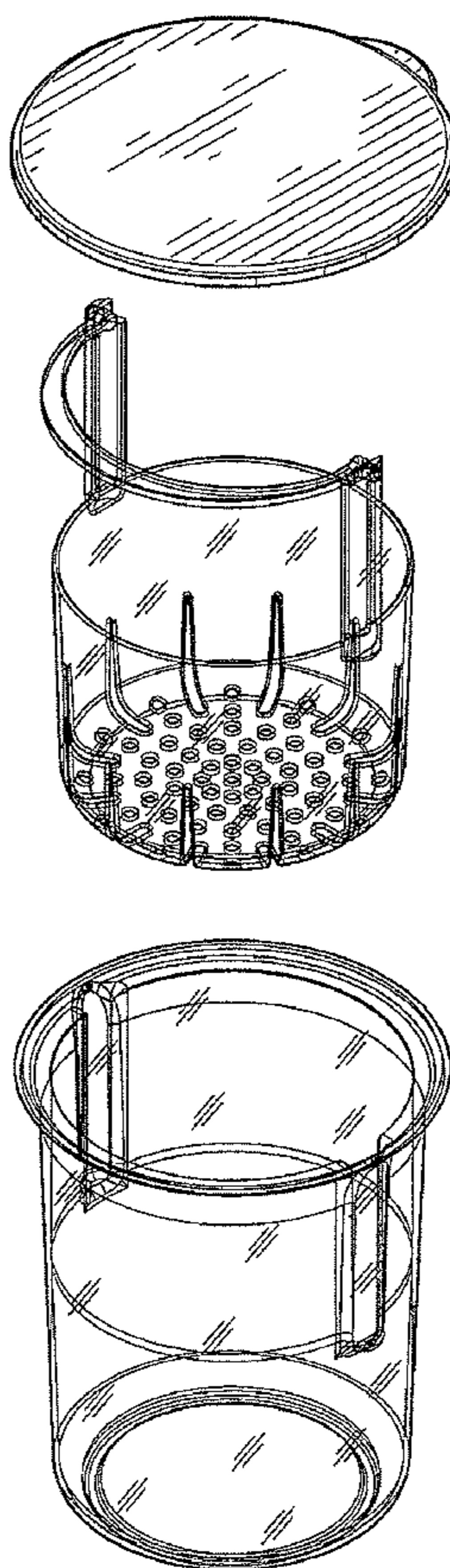
(57) **CLAIM**

I claim the ornamental design for the pickle keeper, as shown.

**DESCRIPTION**

FIG. 1 is a front view of the pickle keeper;  
FIG. 2 is a top view of the pickle keeper;  
FIG. 3 is a bottom view of the pickle keeper;  
FIG. 4 is a back view of the pickle keeper;  
FIG. 5 is a left side view of the pickle keeper;  
FIG. 6 is a right side view of the pickle keeper;  
FIG. 7 is a perspective view of the pickle keeper; and,  
FIG. 8 is an exploded view of the pickle keeper.

**1 Claim, 5 Drawing Sheets**



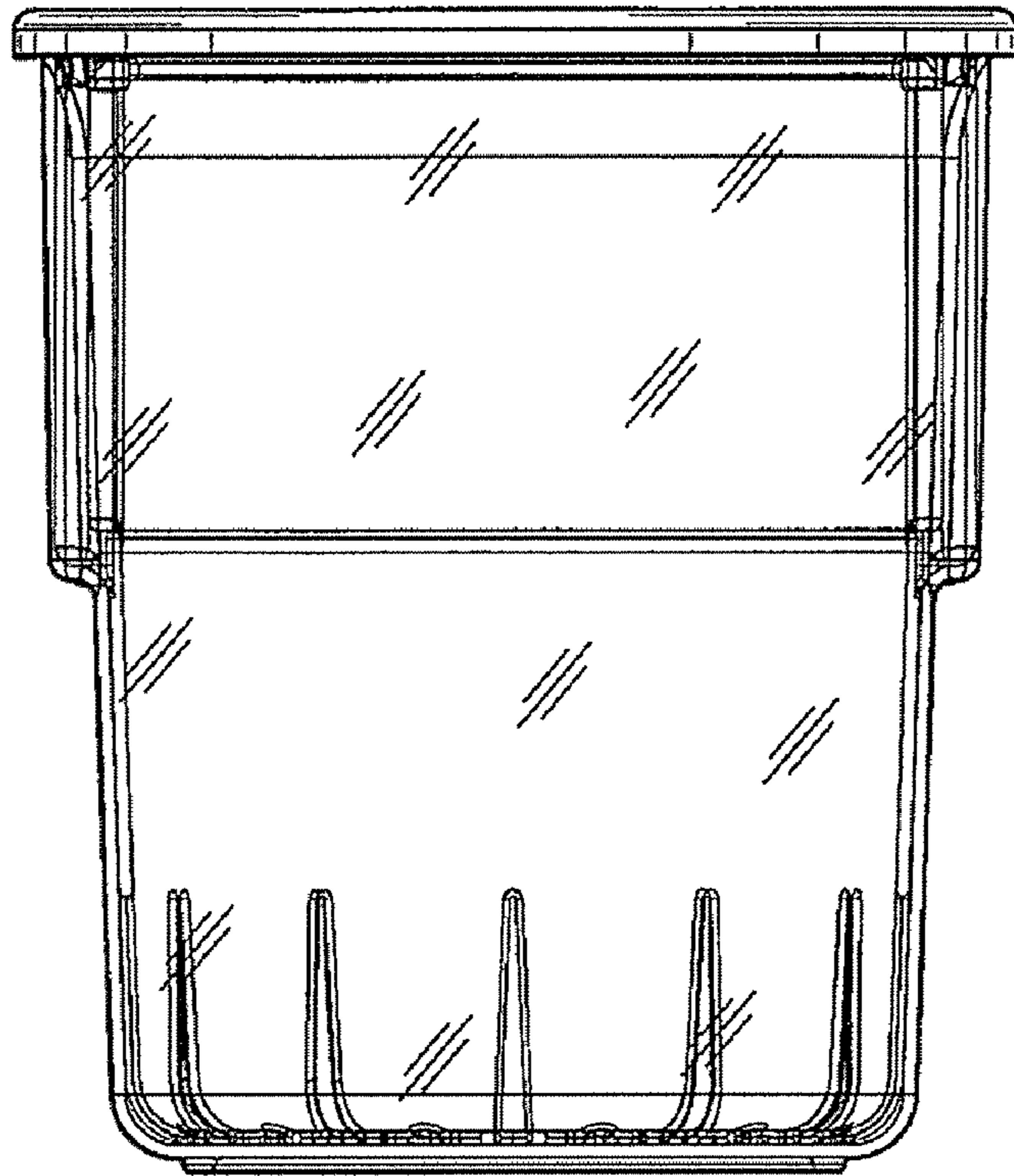


FIG. 1

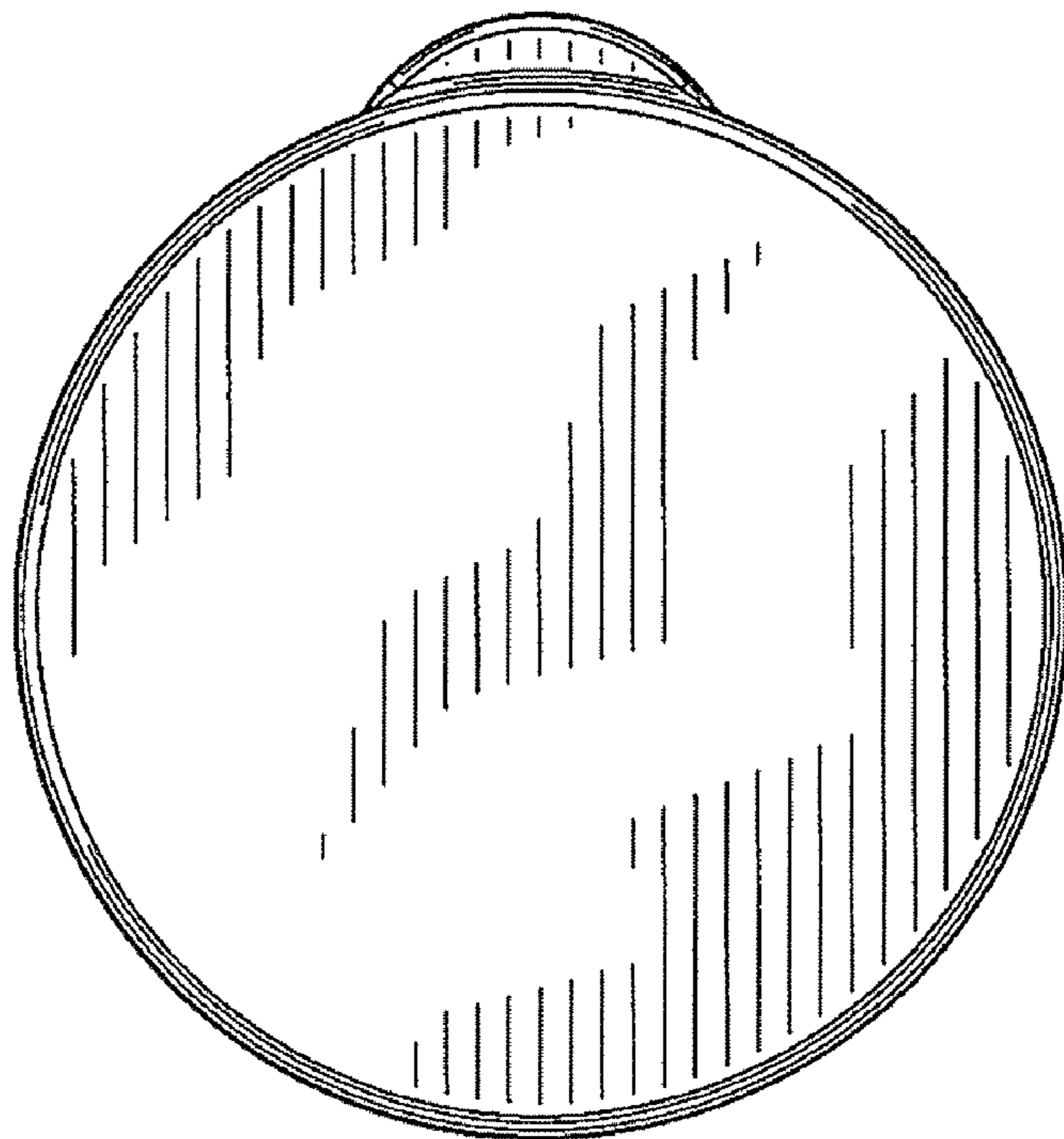


FIG. 2

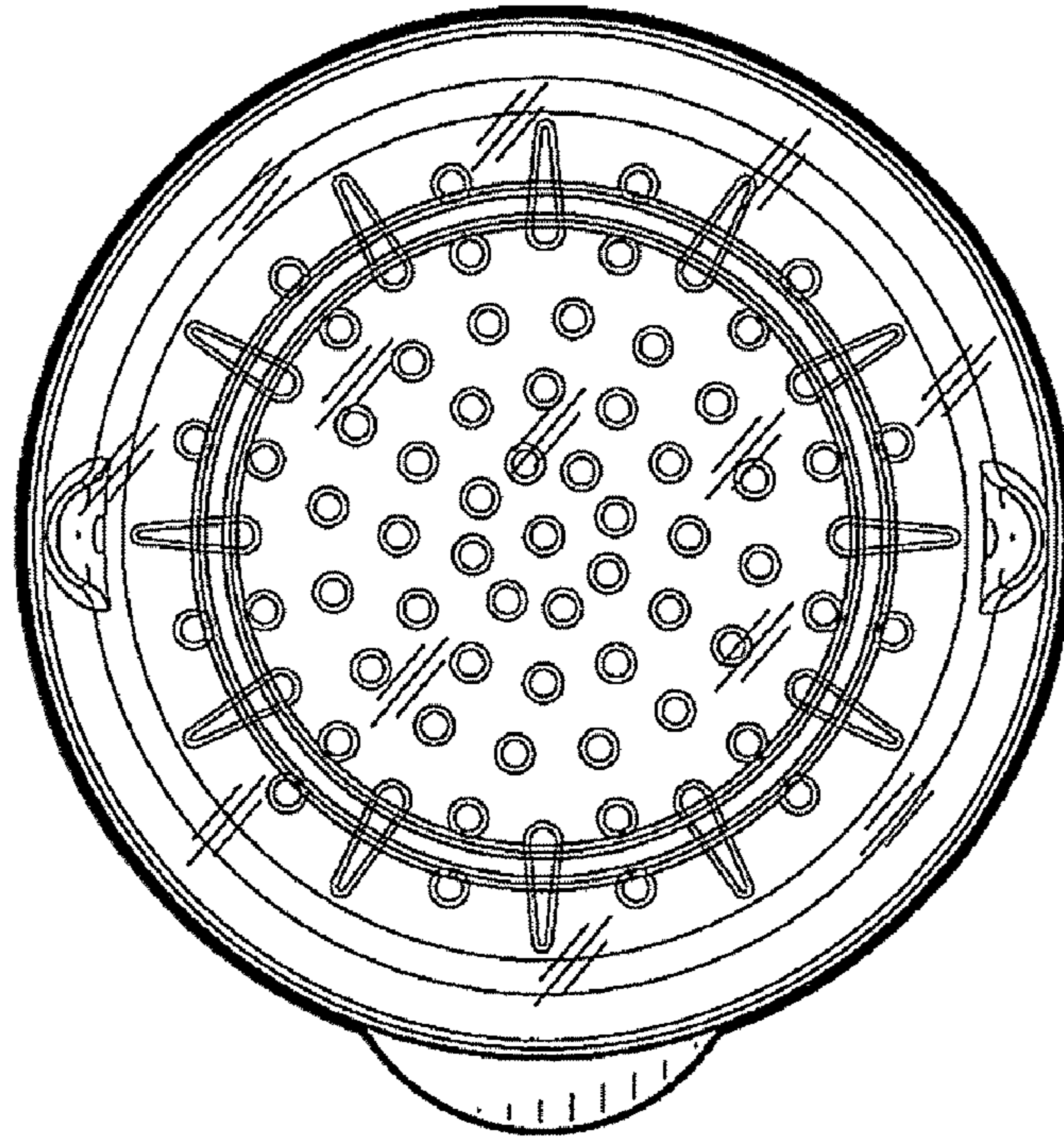


FIG. 3

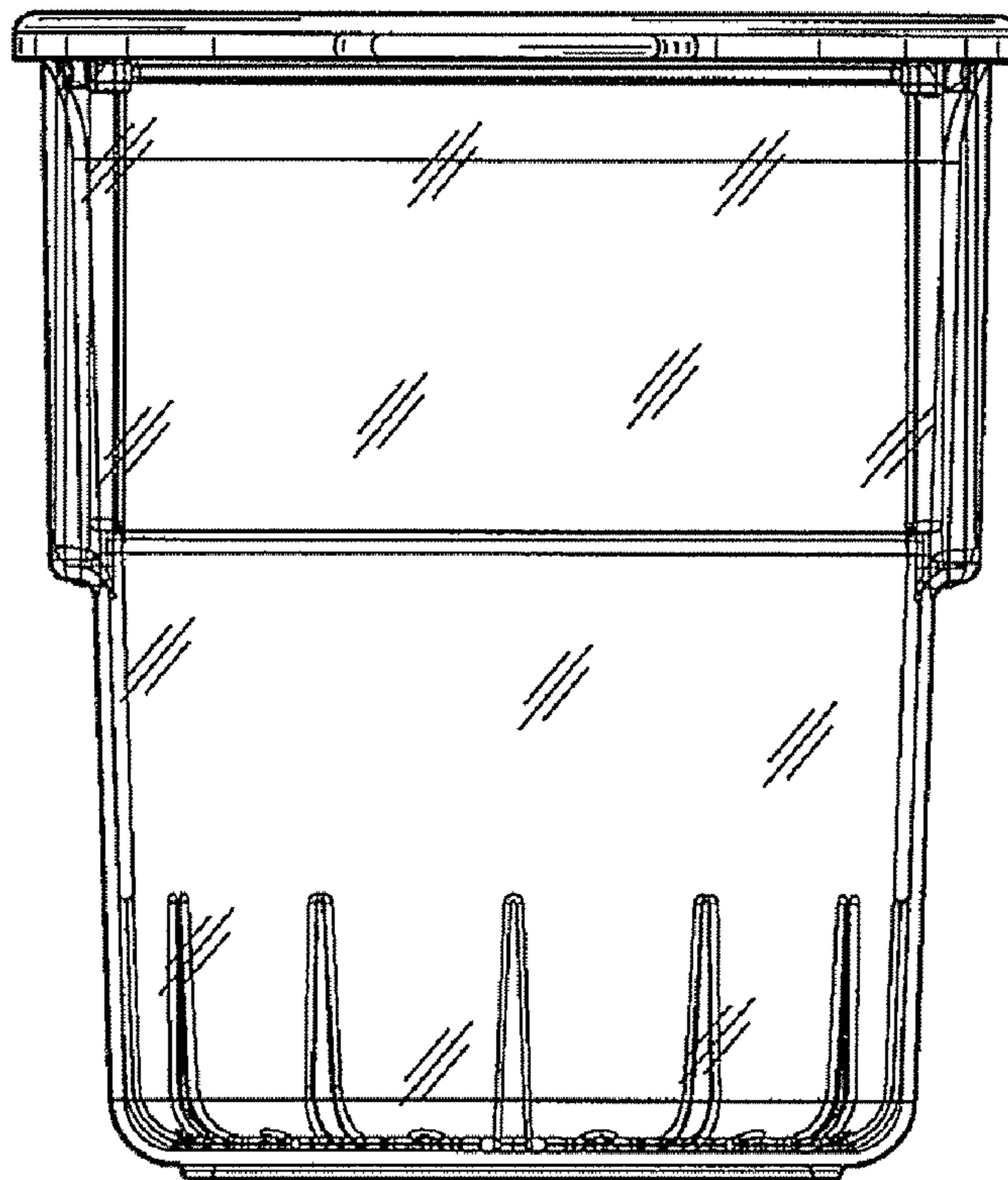


FIG. 4

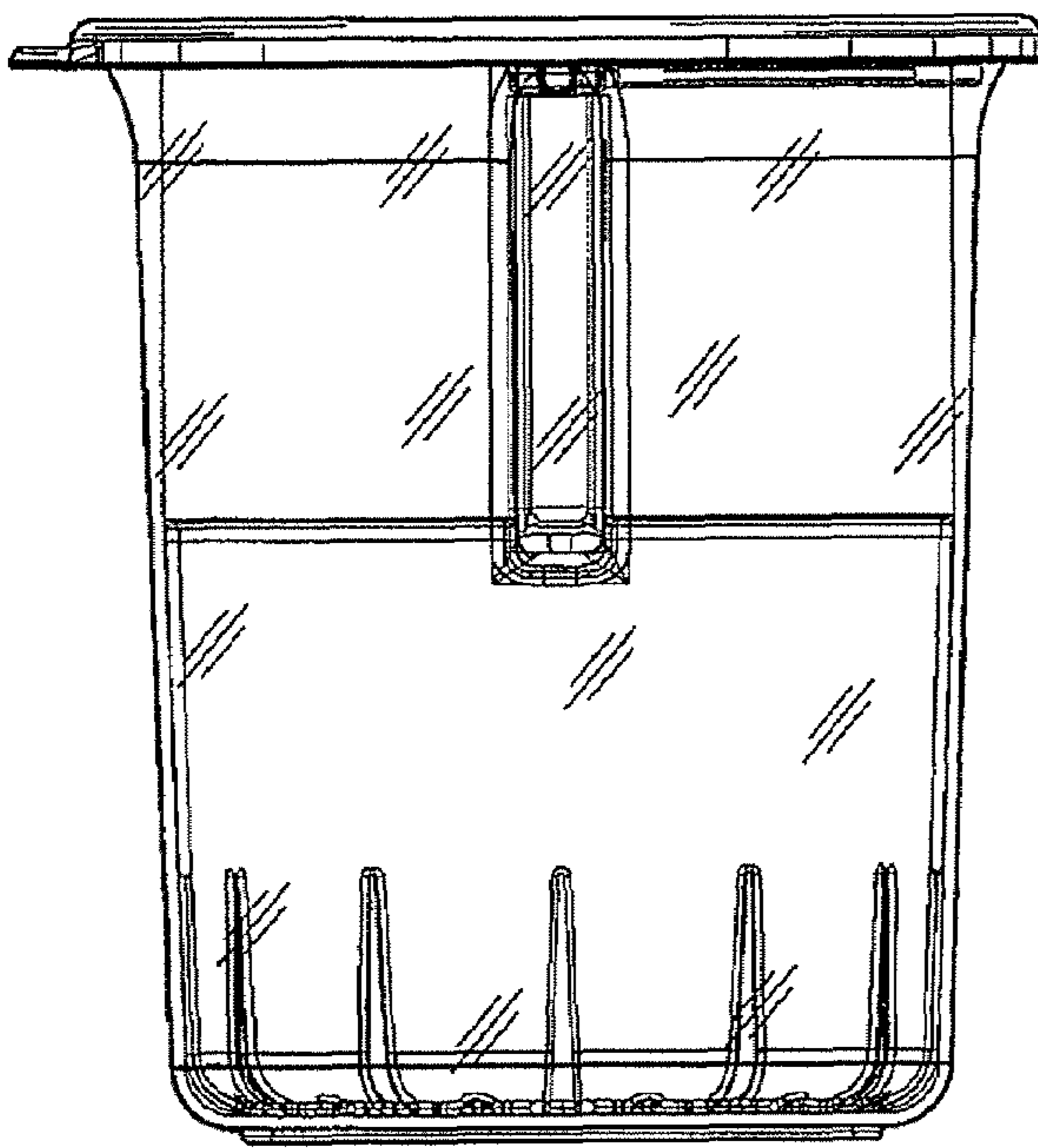


FIG. 5

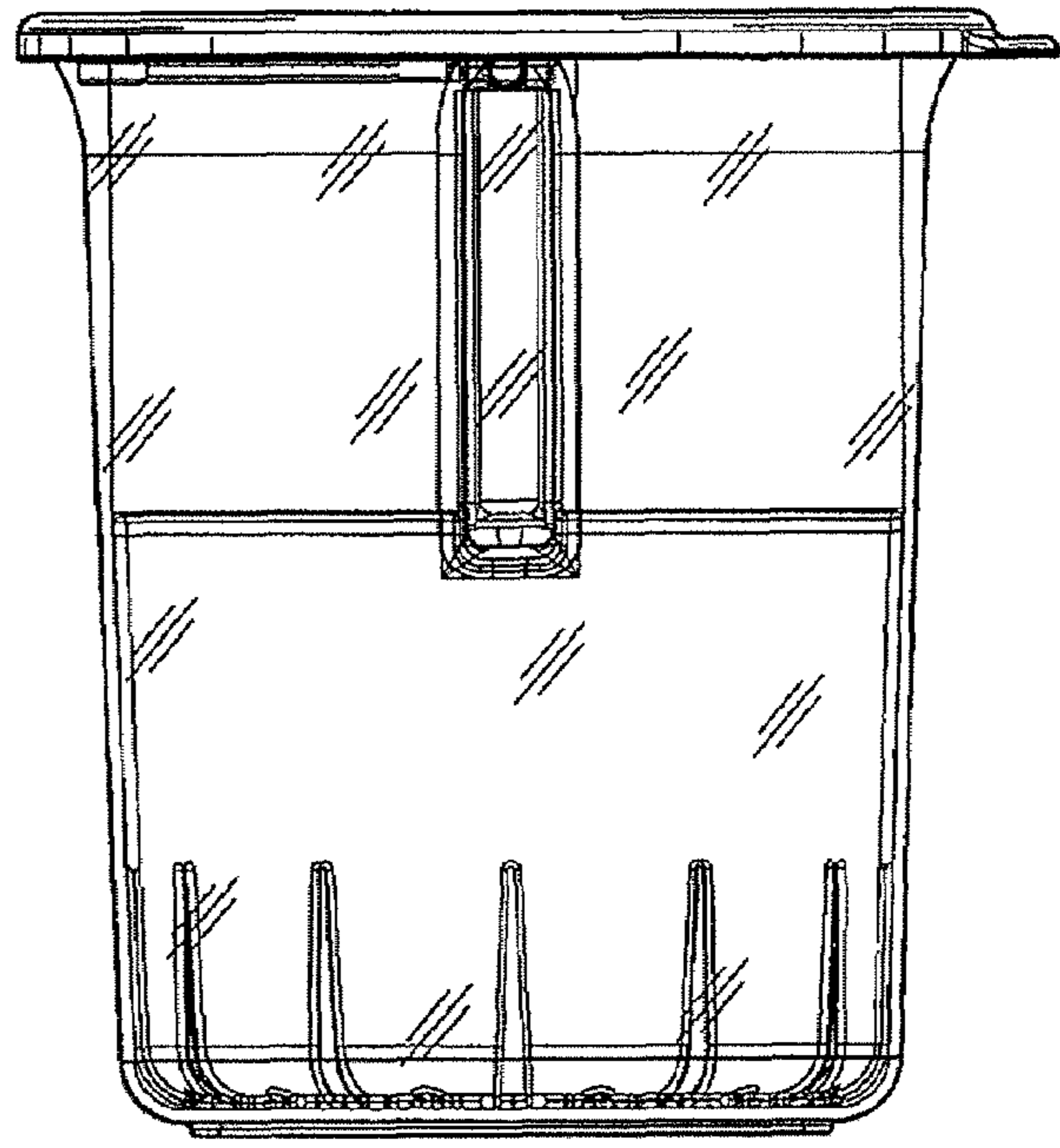


FIG. 6

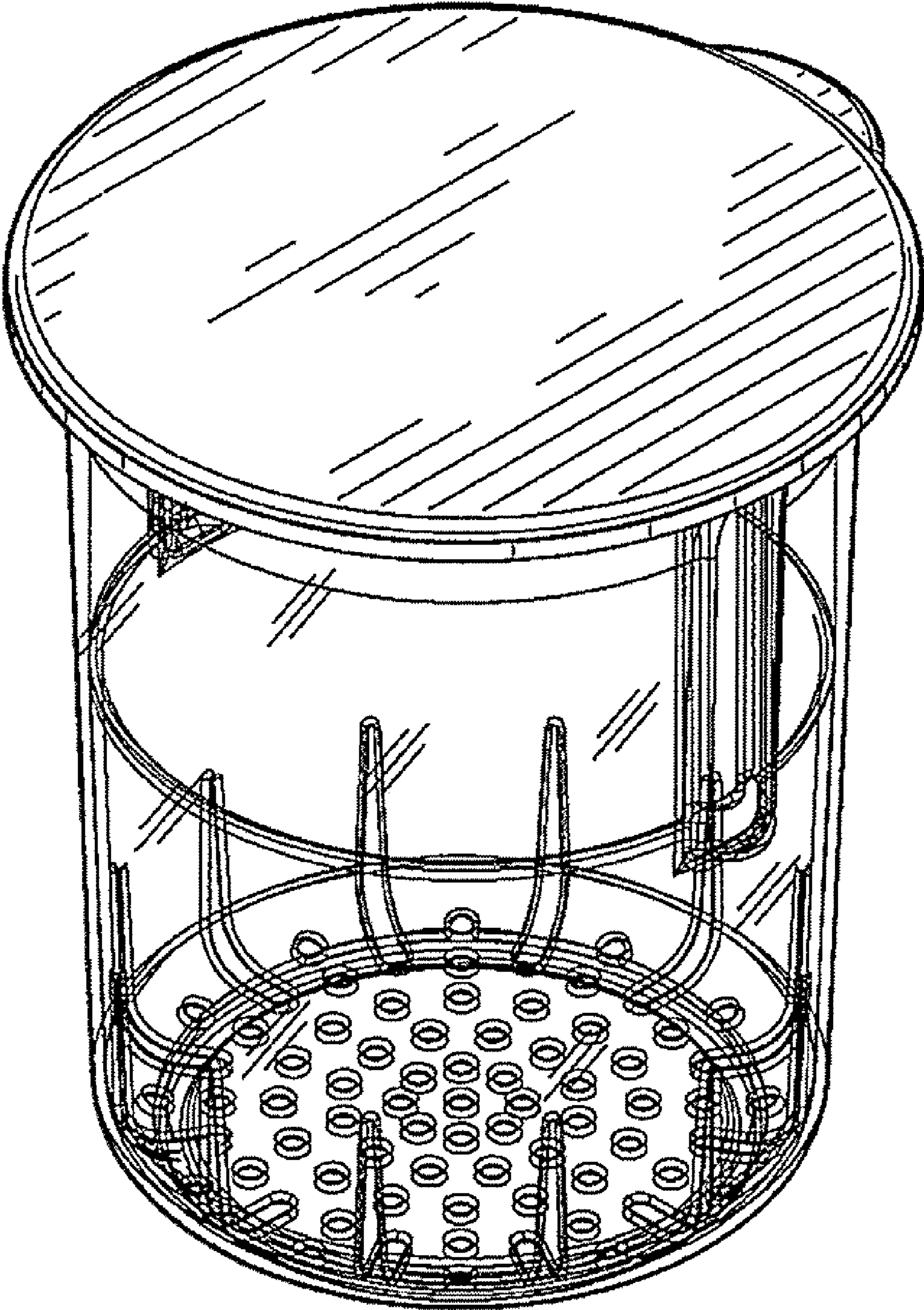


FIG. 7

FIG. 8

