



US00D558531S

(12) **United States Design Patent** (10) **Patent No.:** **US D558,531 S**  
**Ewald et al.** (45) **Date of Patent:** **\*\* Jan. 1, 2008**

(54) **SHELLED EGG STAGING DEVICE**

(75) Inventors: **Henry Ewald**, Roselle, IL (US); **Craig Conley**, Oswego, IL (US); **Thomas Tapper**, Schenectady, NY (US)

(73) Assignee: **Restaurant Technology, Inc.**, Oak Brook, IL (US)

(\*\*) Term: **14 Years**

(21) Appl. No.: **29/256,875**

(22) Filed: **Mar. 27, 2006**

(51) **LOC (8) Cl.** ..... **07-01**

(52) **U.S. Cl.** ..... **D7/611**

(58) **Field of Classification Search** ..... D7/611,  
D7/672, 361, 357; 211/74; D9/456, 756;  
99/448, 449, 426-428; 249/134, 146  
See application file for complete search history.

(56) **References Cited**

**U.S. PATENT DOCUMENTS**

D208,648	S *	9/1967	Warner	.....	D7/611
3,942,427	A	3/1976	Vaca		
D239,875	S *	5/1976	Armstrong	.....	D7/611
4,015,704	A	4/1977	Warren		
4,345,516	A	8/1982	Sinclair		
4,409,249	A	10/1983	Forkner		
4,488,479	A	12/1984	Sloan et al.		
4,512,250	A	4/1985	Schindler et al.		
4,522,117	A	6/1985	Weimer et al.		
4,607,569	A *	8/1986	Murphy	.....	99/426
4,665,813	A	5/1987	Maisonneuve		
4,681,027	A	7/1987	Meamber		
4,862,790	A	9/1989	Platteschorre et al.		
5,377,583	A	1/1995	Tomosue		
5,450,785	A *	9/1995	Westbrooks	.....	99/426
6,095,038	A	8/2000	Cerro		

6,620,449	B1	9/2003	Peers		
6,813,994	B2	11/2004	Williams		
6,869,059	B2 *	3/2005	Sloan et al.	.....	249/126
D535,881	S *	1/2007	Liukko	.....	D9/456
2005/0056666	A1	3/2005	Erlandsen		
2005/0136172	A1	6/2005	Hairsine et al.		

\* cited by examiner

*Primary Examiner*—Terry A Wallace

(74) *Attorney, Agent, or Firm*—Ryndak & Suri LLP

(57) **CLAIM**

We claim the ornamental design for a shelled egg staging device, as shown and described.

**DESCRIPTION**

FIG. 1 is a front perspective view of a shelled egg staging device depicting the new design;

FIG. 2 is a left side elevation view thereof, the right side being a mirror image;

FIG. 3 is a bottom plan view thereof;

FIG. 4 is a top plan view thereof;

FIG. 5 is a front elevation view thereof;

FIG. 6 is a rear elevation view thereof;

FIG. 7 is a front perspective view of another embodiment of the shelled egg staging device depicting the new design;

FIG. 8 is a top plan view thereof;

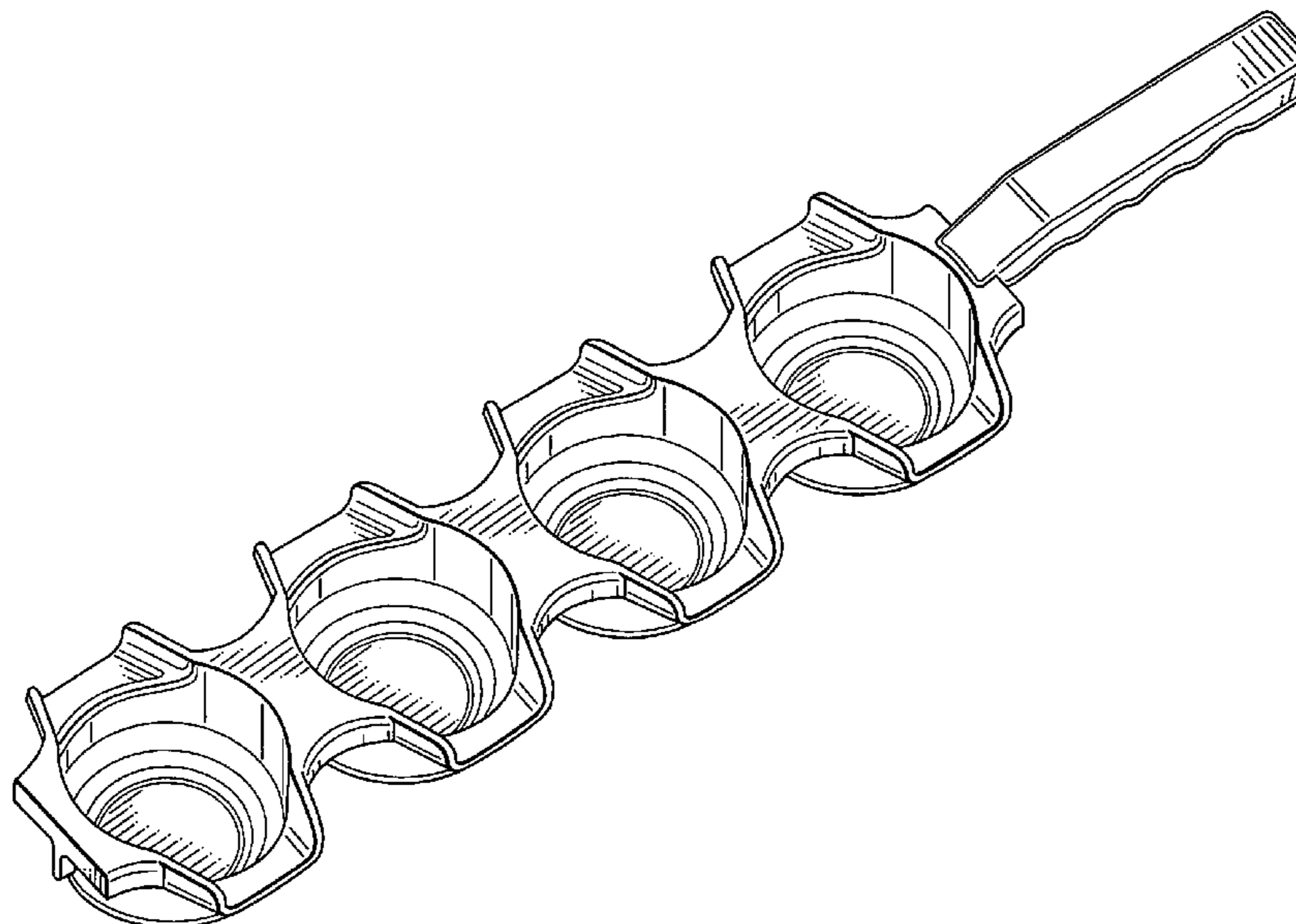
FIG. 9 is a bottom plan view thereof;

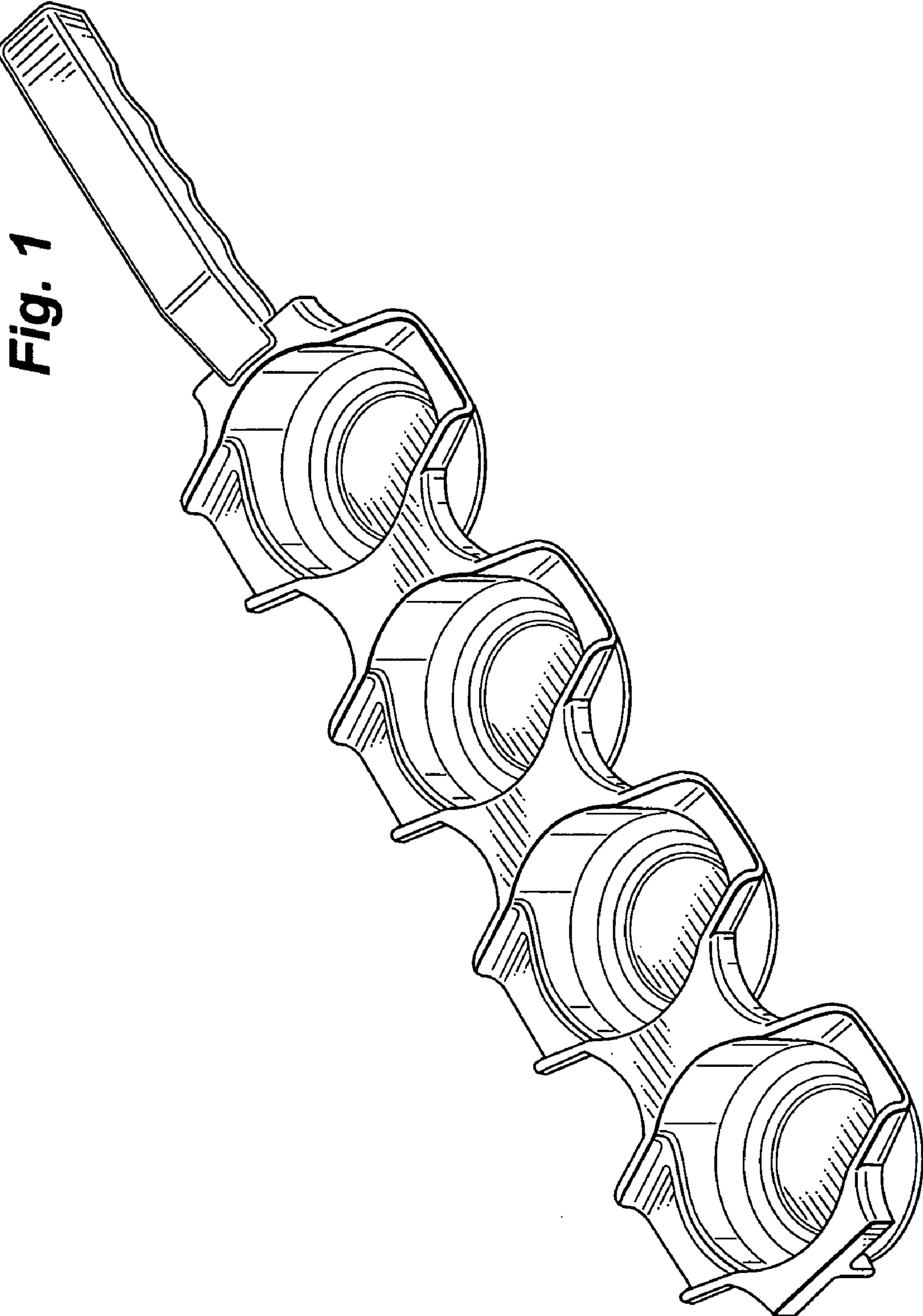
FIG. 10 is a left side elevation view thereof, the right side being a mirror image;

FIG. 11 is a front elevation view thereof; and,

FIG. 12 is a rear elevation view thereof.

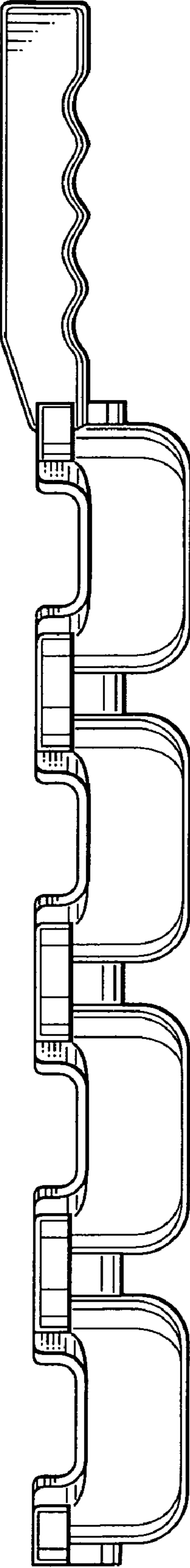
**1 Claim, 6 Drawing Sheets**



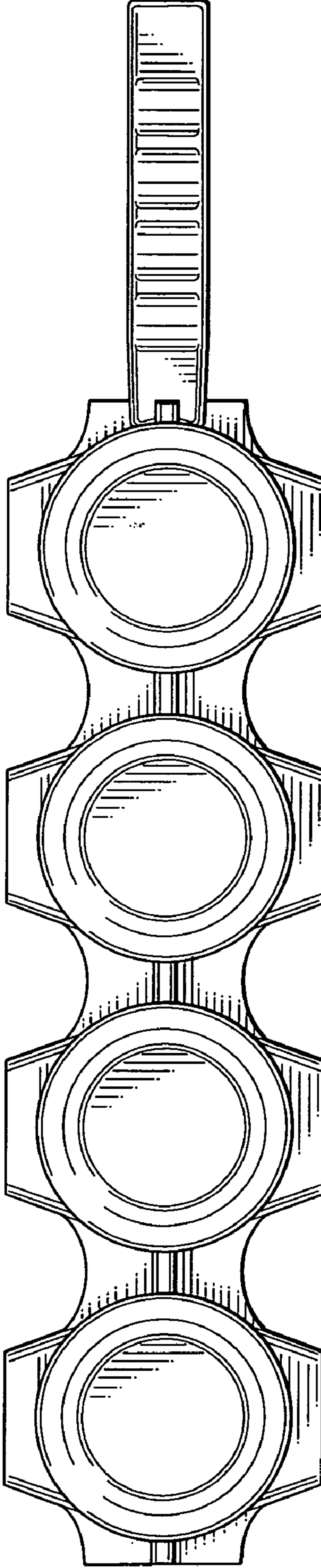


**Fig. 1**

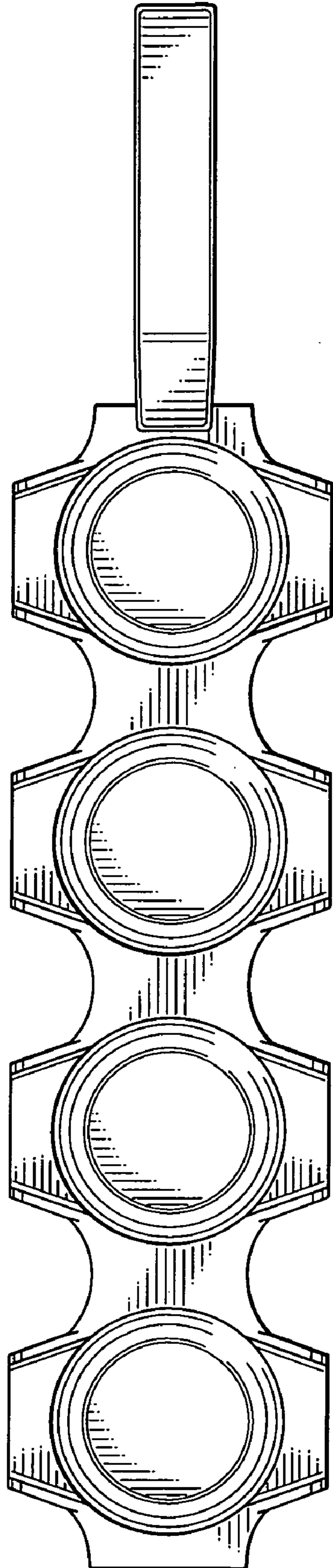
**Fig. 2**



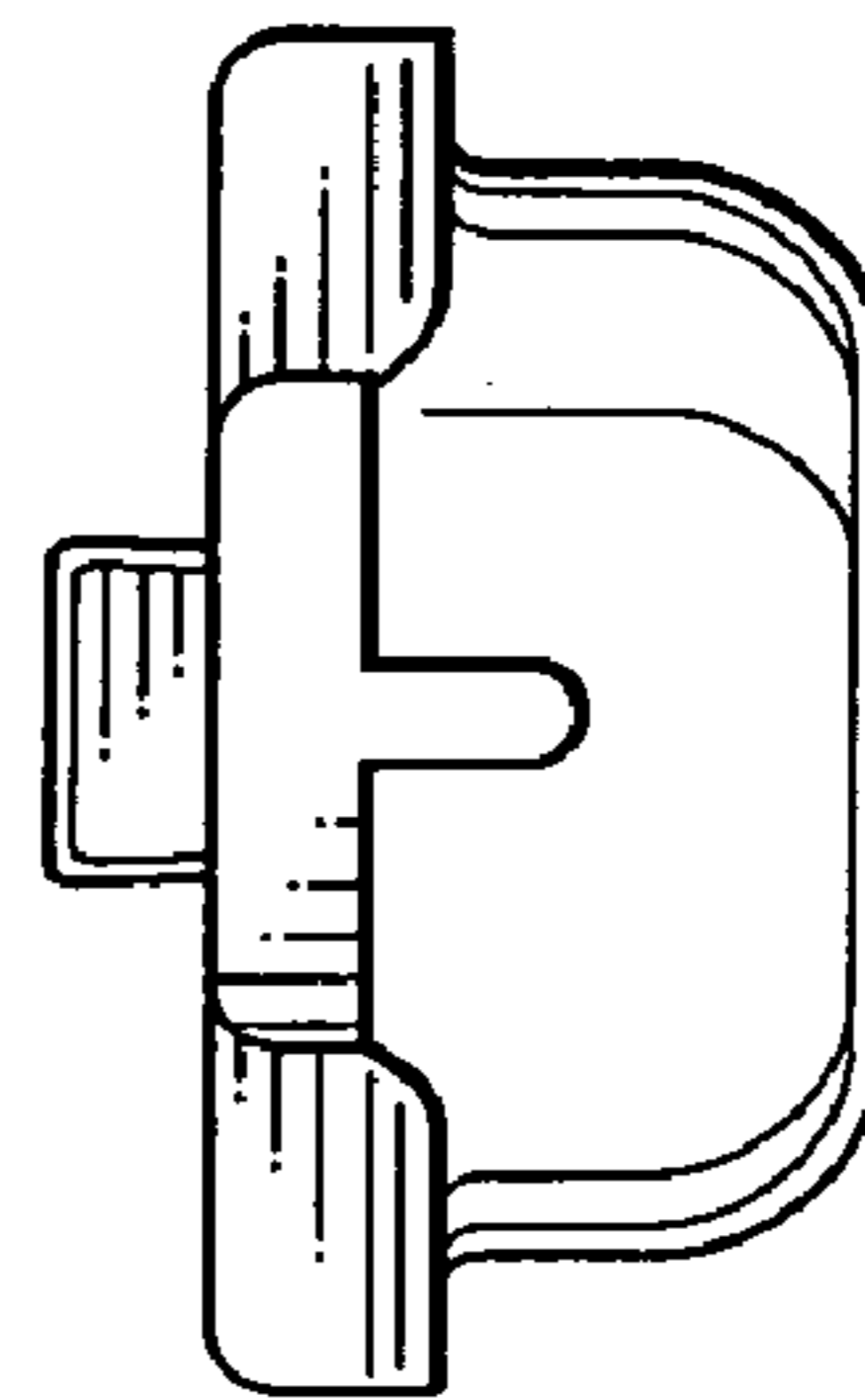
**Fig. 3**



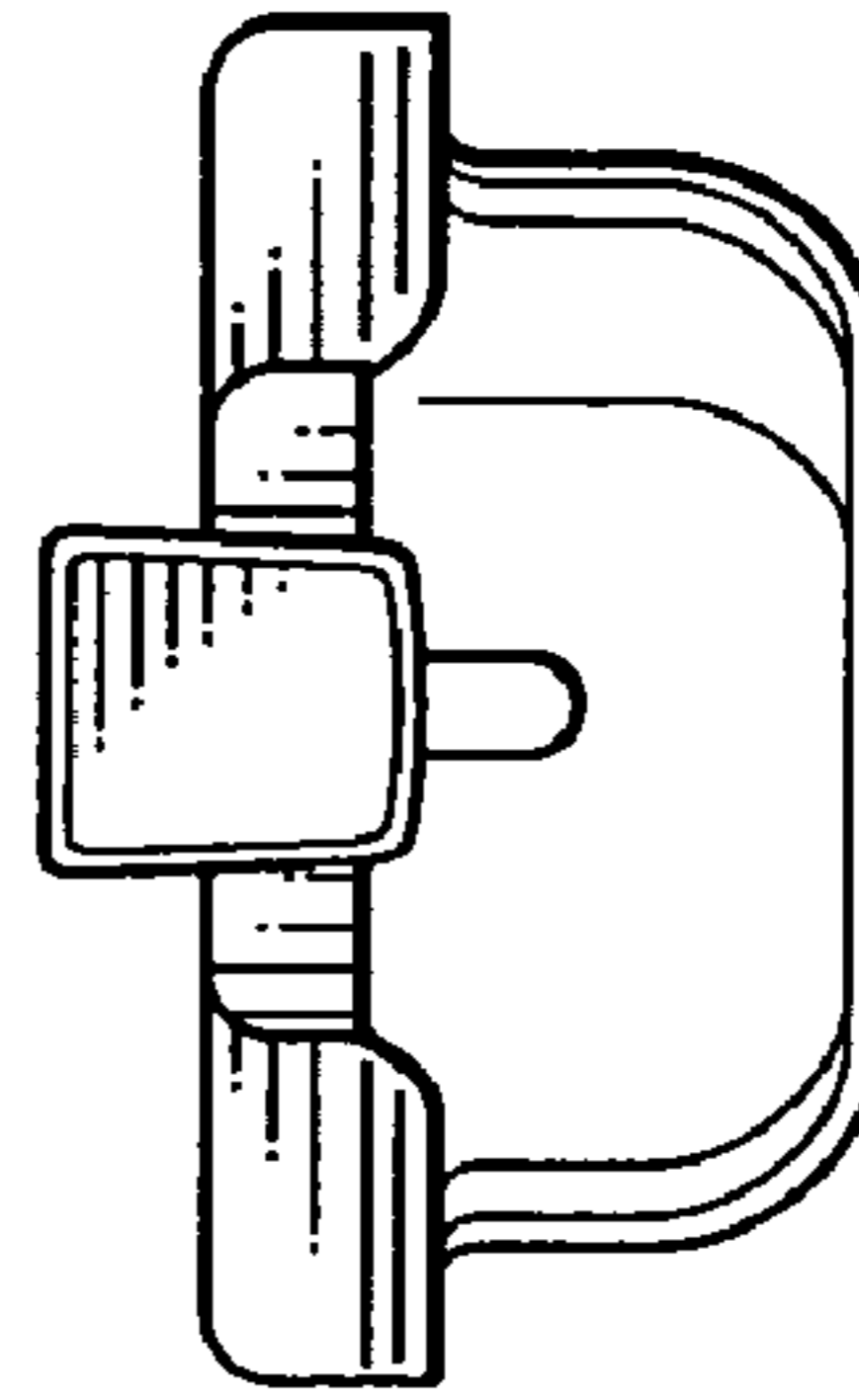
**Fig. 4**

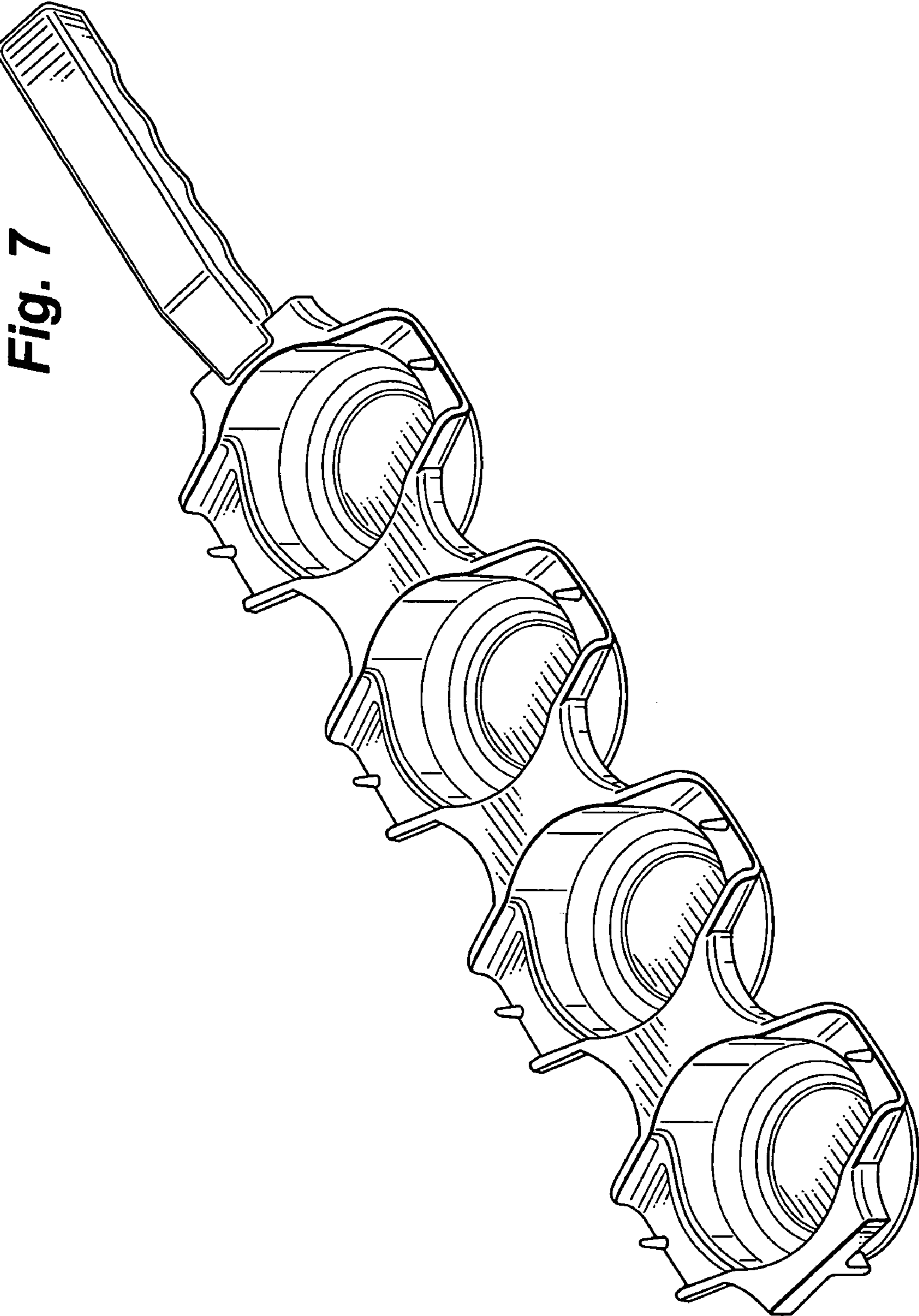


**Fig. 5**



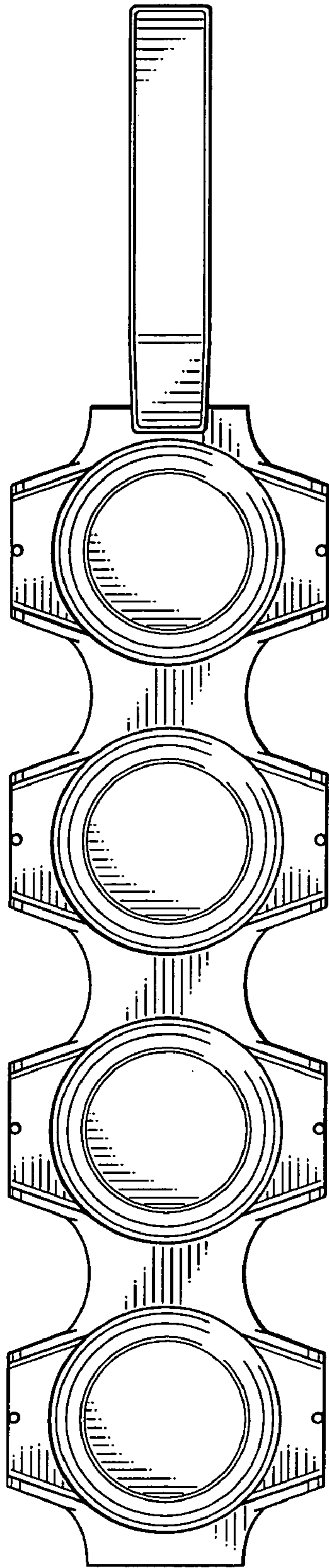
**Fig. 6**



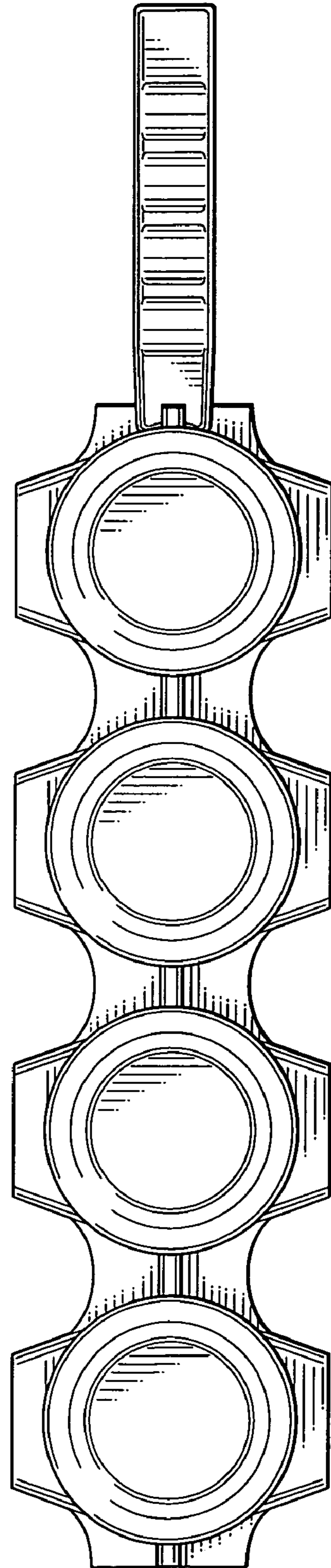


**Fig. 7**

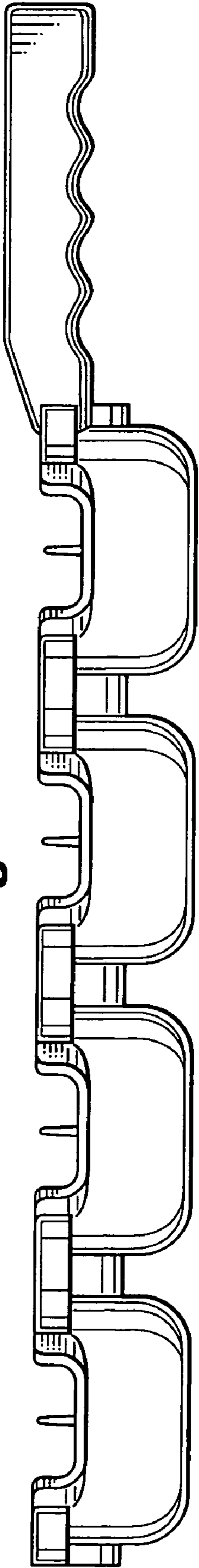
**Fig. 8**



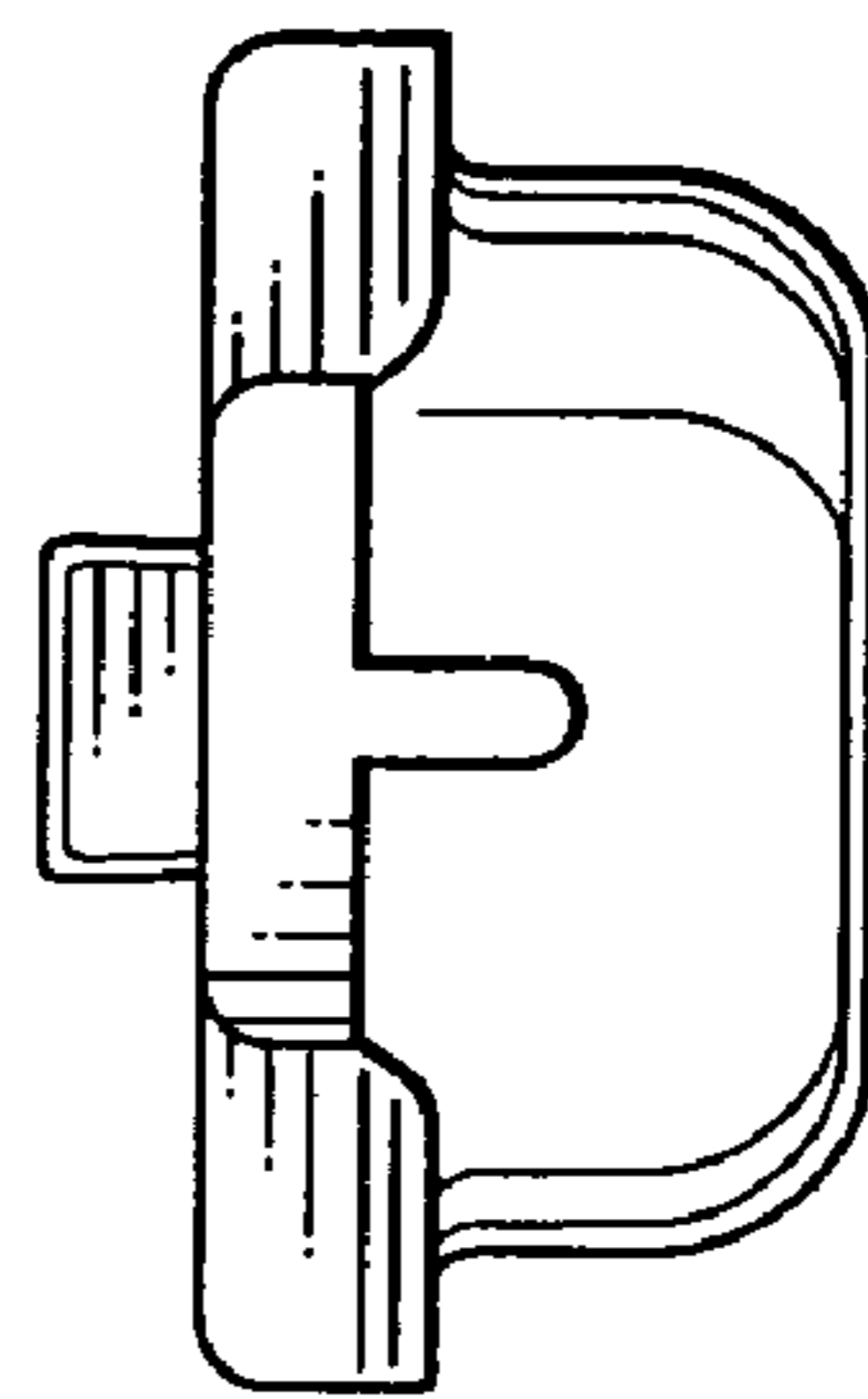
**Fig. 9**



**Fig. 10**



**Fig. 11**



**Fig. 12**

