



US00D558527S

(12) **United States Design Patent** (10) **Patent No.:** **US D558,527 S**
Deeds et al. (45) **Date of Patent:** **** Jan. 1, 2008**

(54) **DISPENSER**

(75) Inventors: **M. Rinley Deeds**, Felton, CA (US);
Tyson L. Webster, Soquel, CA (US);
Loren D. Stirling, Aptos, CA (US)

(73) Assignee: **JohnsonDiversey, Inc.**, Sturtevant, WI
(US)

(**) Term: **14 Years**

(21) Appl. No.: **29/258,033**

(22) Filed: **Apr. 14, 2006**

(51) **LOC (8) Cl.** **07-06**

(52) **U.S. Cl.** **D7/589**

(58) **Field of Classification Search** D7/589;
D6/542-545; 141/346; 222/1, 189.03, 325,
222/545, 181.2, 339, 363, 158, 181.3, 548,
222/461, 173, 180, 181.1, 568

See application file for complete search history.

(56) **References Cited**

U.S. PATENT DOCUMENTS

2,865,537	A	12/1958	Jackson	222/214
3,840,154	A *	10/1974	Speak	222/181.2
4,161,265	A *	7/1979	Hauser et al.	222/181.2
4,214,678	A	7/1980	Patrinos	222/149
4,243,158	A	1/1981	Negosta	222/184
5,007,559	A *	4/1991	Young	222/1
5,106,239	A	4/1992	Krebsbach	406/63
5,469,992	A	11/1995	Jenkins	222/362
5,495,962	A	3/1996	Nomura	222/80
5,566,842	A *	10/1996	Dennis	211/87.01
5,758,803	A	6/1998	Liao et al.	222/440
5,829,085	A	11/1998	Jerg et al.	8/158
5,997,220	A	12/1999	Wormser	406/66
6,158,486	A *	12/2000	Olson et al.	222/325
6,484,905	B1	11/2002	Swackhamer et al.	222/158
6,820,772	B1 *	11/2004	Bennett, Jr.	222/185.1

7,090,098	B2	8/2006	Livingston et al.	222/651
2003/0071061	A1	4/2003	Lassota	222/129.3
2005/0139622	A1	6/2005	Saulle	222/541.1

FOREIGN PATENT DOCUMENTS

EP	0 154 897	9/1985
EP	1 468 744 A1	10/2004
GB	1 569 697	6/1980
GB	2 111 946 A	7/1983
GB	2 306 303 A	5/1997
WO	WO 02/24140 A2	3/2002
WO	WO 02/24140 A3	3/2002
WO	WO 03/022414 A1	3/2003
WO	WO 03/023120 A1	3/2003

* cited by examiner

Primary Examiner—Terry A Wallace

(74) *Attorney, Agent, or Firm*—Gregory S. Bollis

(57) **CLAIM**

We claim the ornamental design for a dispenser, as shown and described.

DESCRIPTION

FIG. 1 is a front, left side perspective view of a dispenser embodying aspects of the invention. A dispensable container is shown in phantom in an engaged position with the dispenser.

FIG. 2 is a front view of the dispenser shown in FIG. 1.

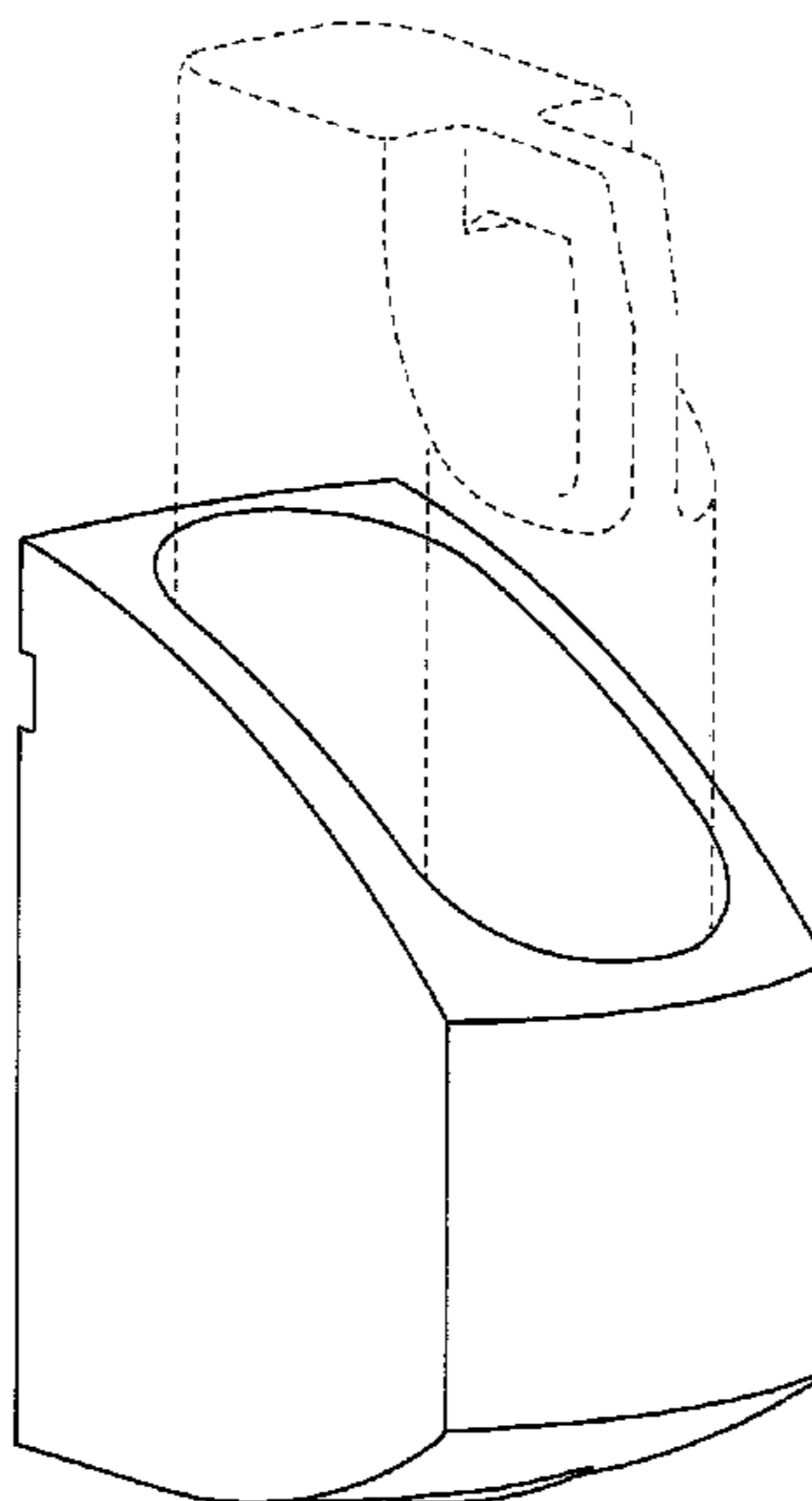
FIG. 3 is a top view of the dispenser shown in FIG. 1.

FIG. 4 is a right side view of the dispenser shown in FIG. 1; and,

FIG. 5 is a left side view of the dispenser shown in FIG. 1.

The broken lines are for illustrative purposes only and form no part of the claimed design.

1 Claim, 3 Drawing Sheets



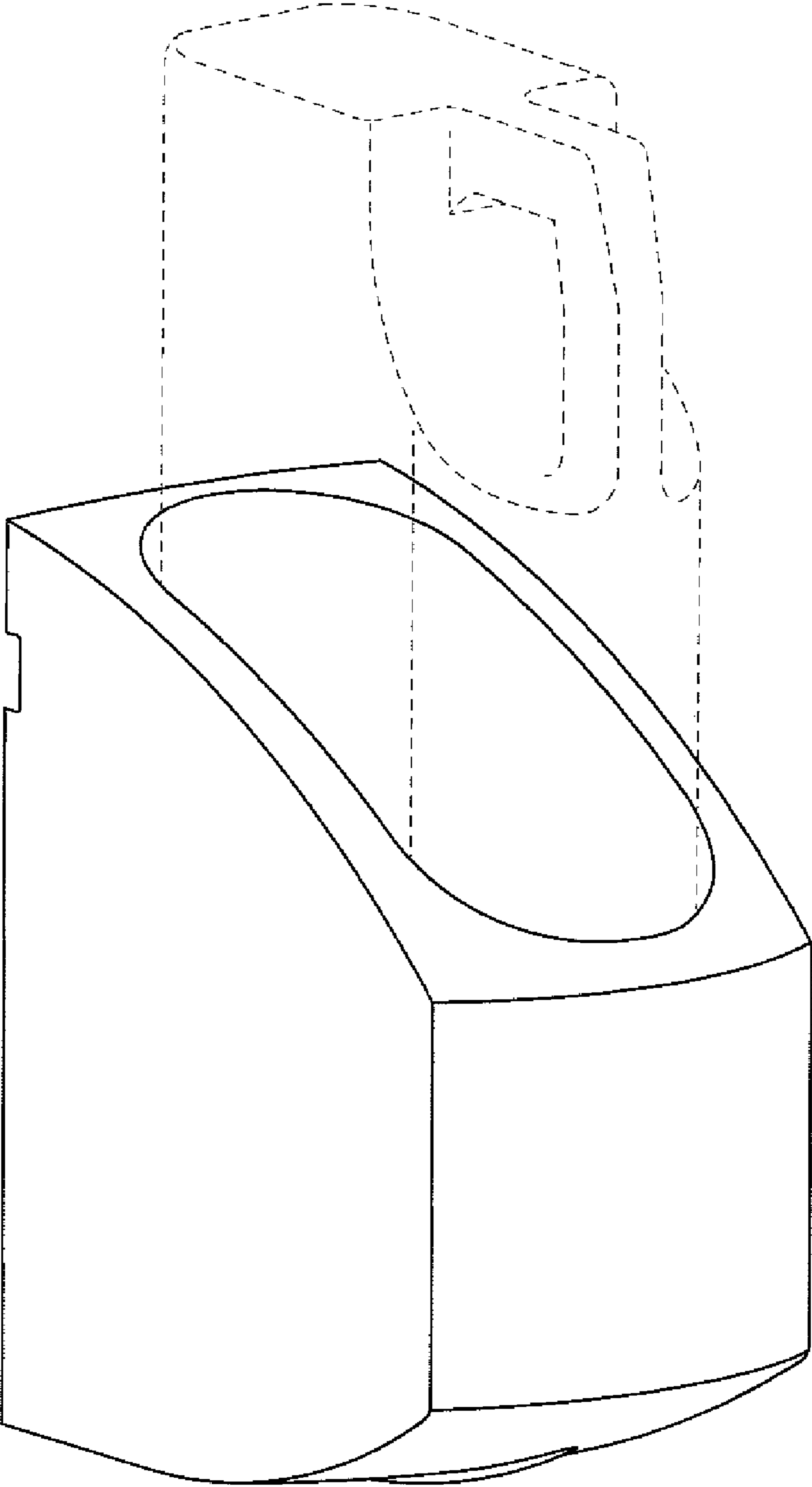


FIG. 1

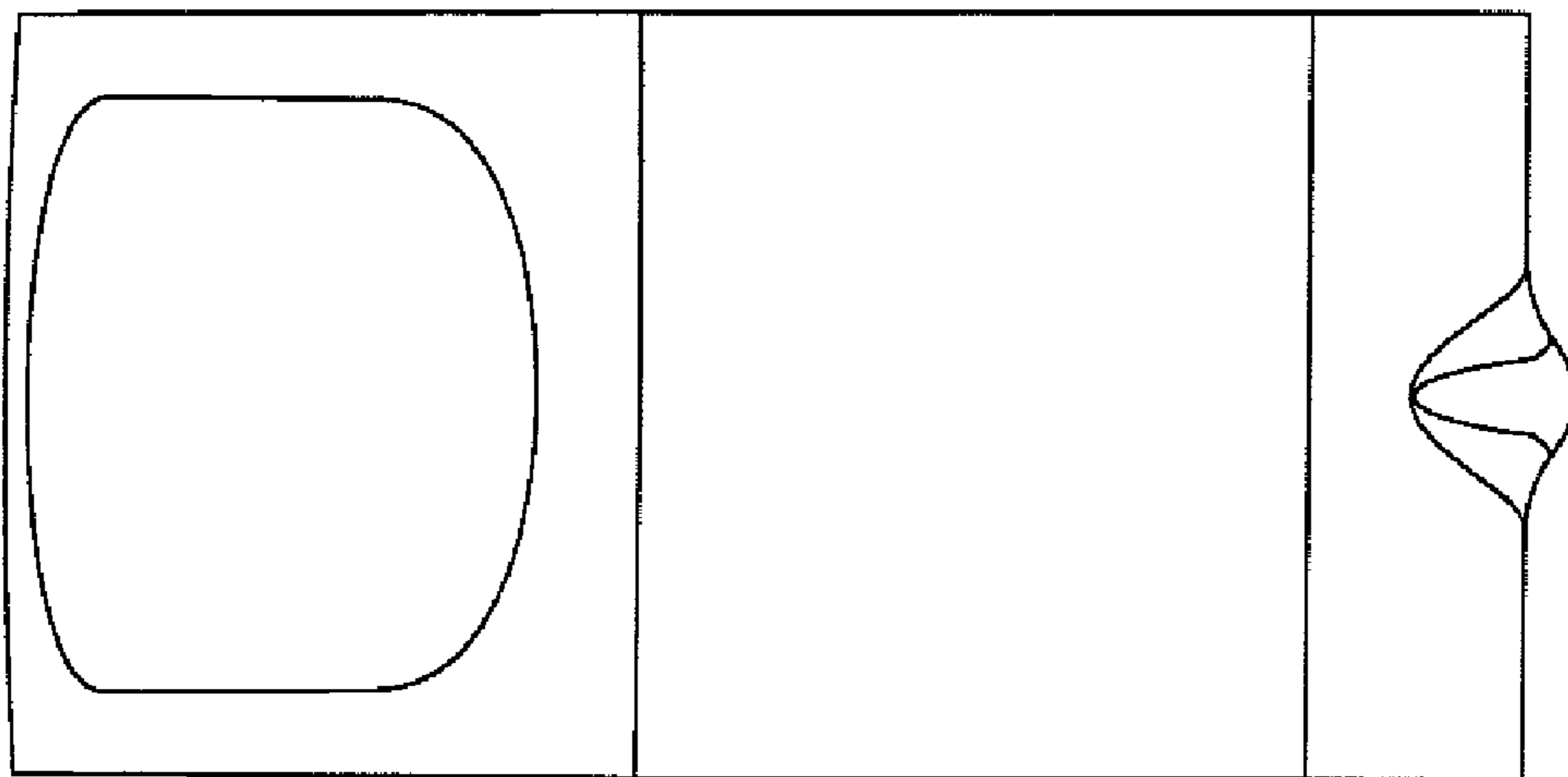


FIG. 2

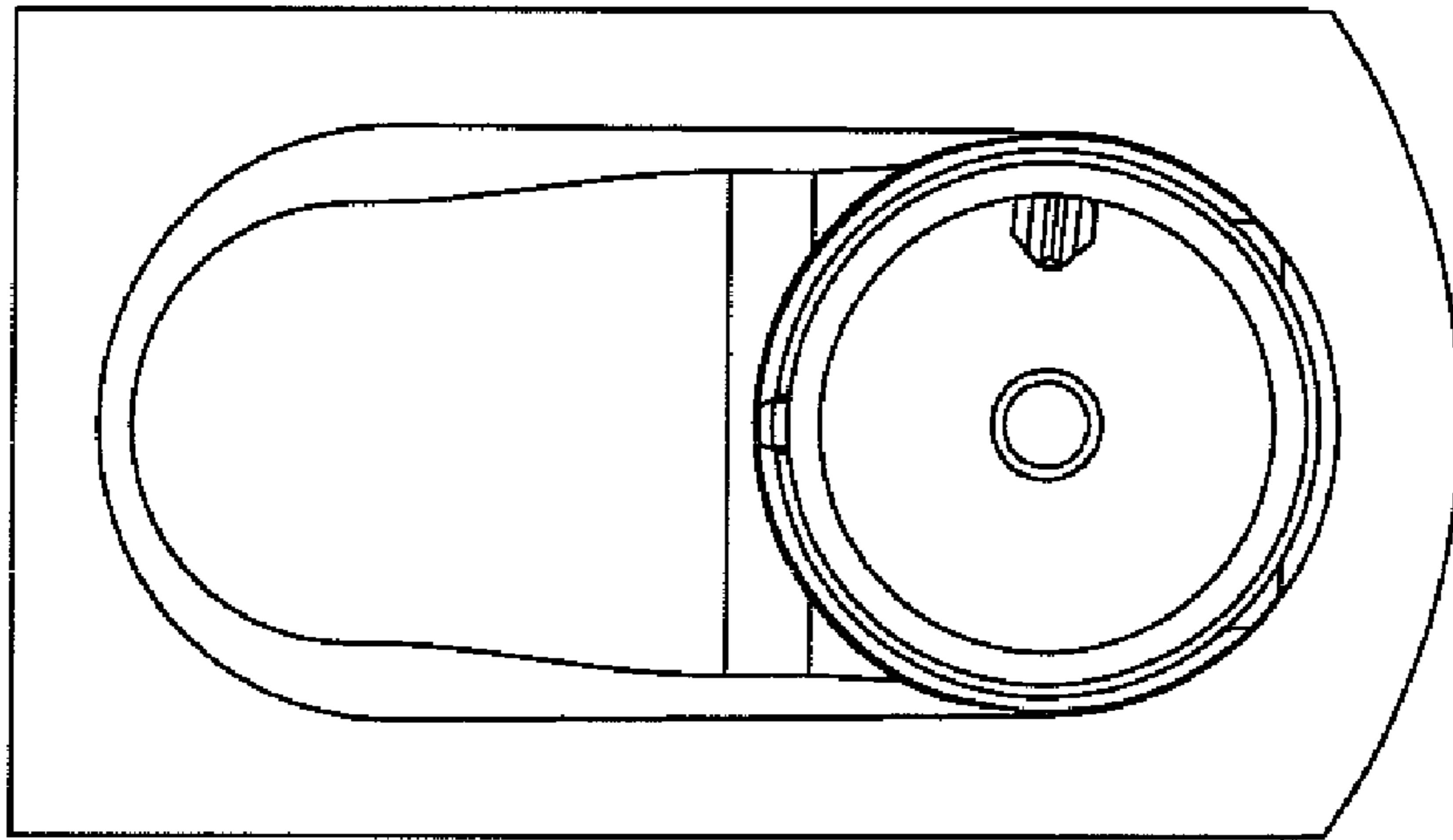


FIG. 3

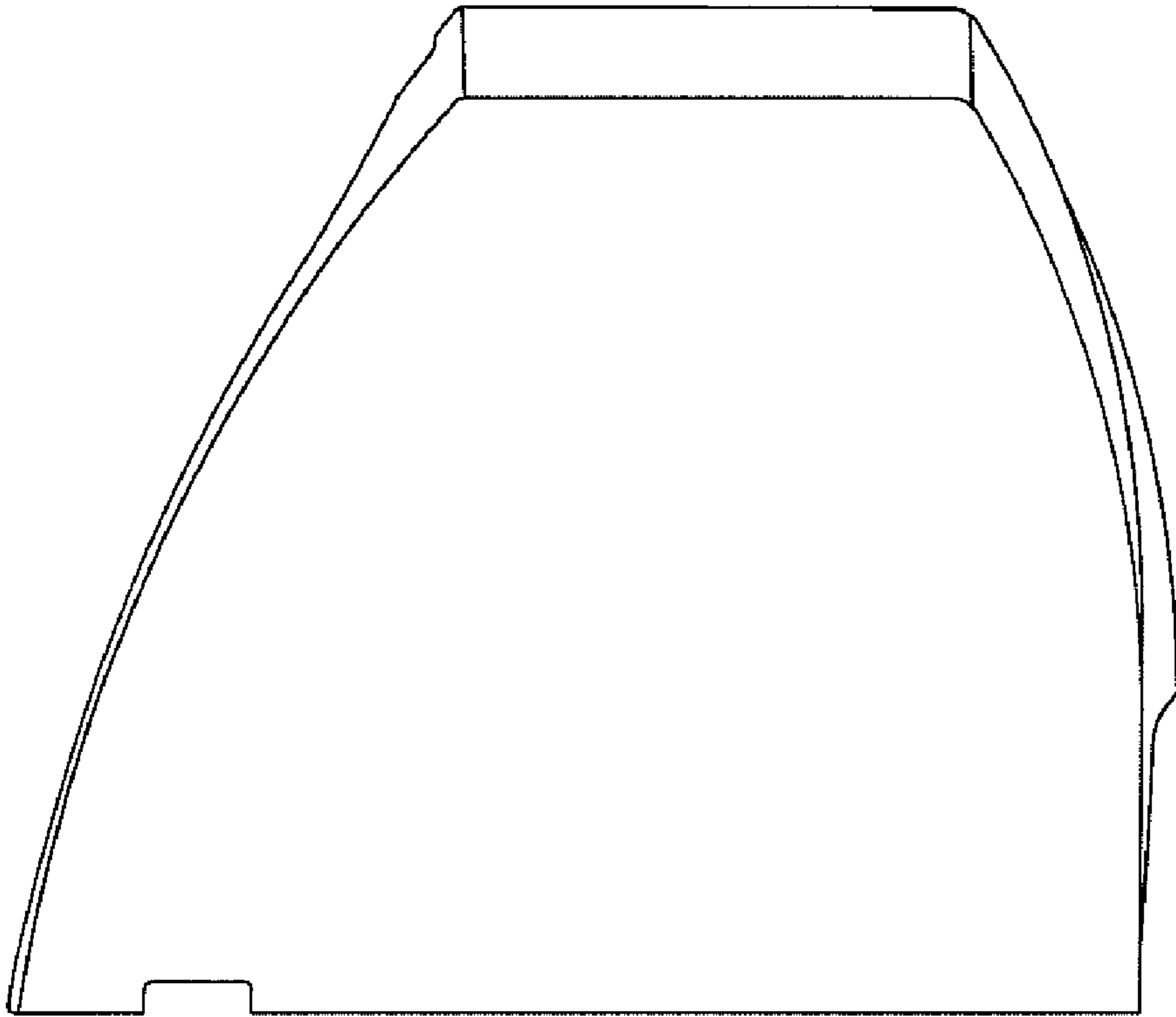


FIG. 5

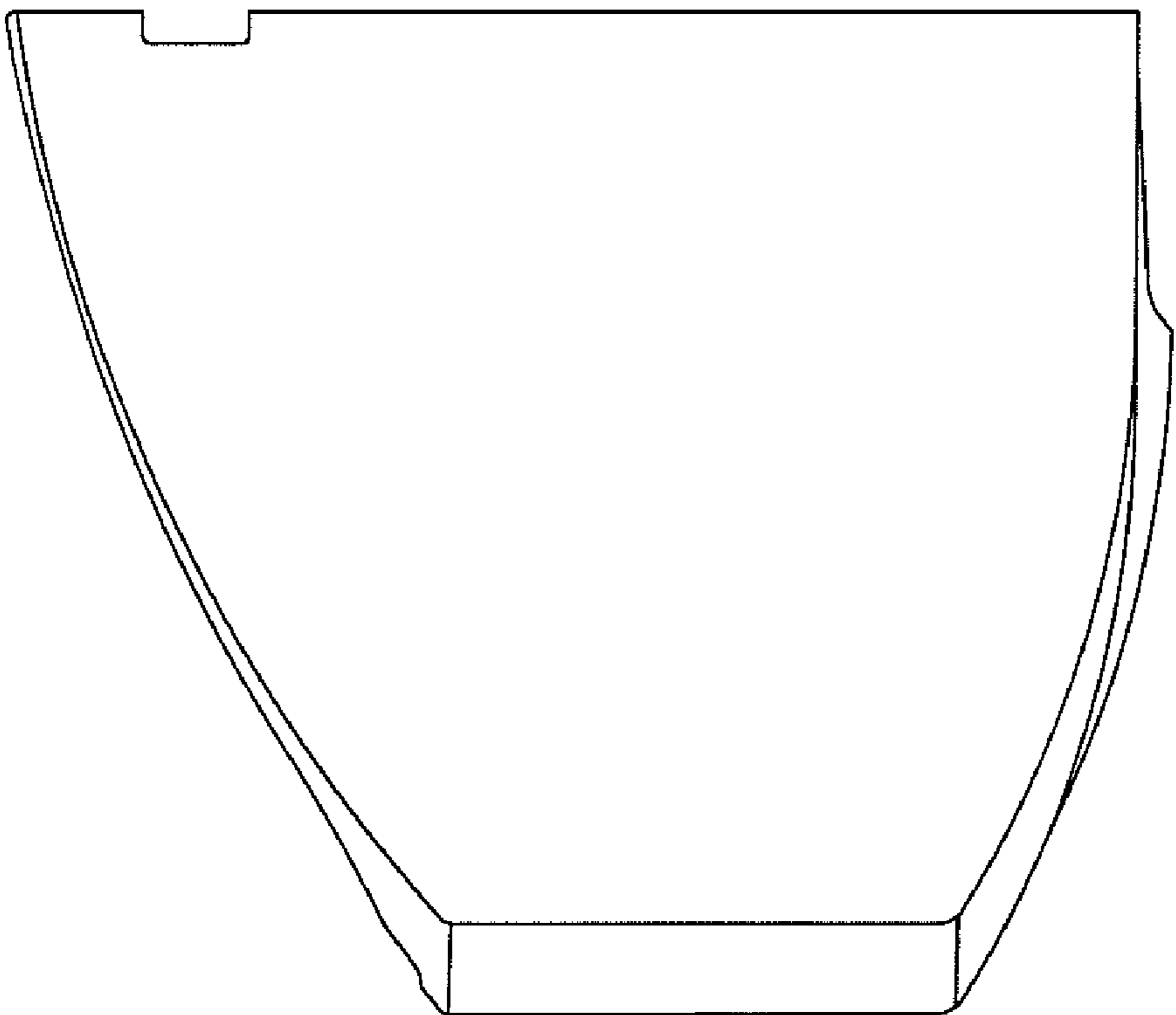


FIG. 4