



US00D558526S

(12) **United States Design Patent**  
**Molina**

(10) **Patent No.:** **US D558,526 S**  
(45) **Date of Patent:** **\*\* Jan. 1, 2008**

(54) **TWO-TIER PLATTER**

(76) **Inventor:** **Ryan P. Molina**, 980 S. Arroyo Pkwy.,  
Pasadena, CA (US) 91105

(\*\*) **Term:** **14 Years**

(21) **Appl. No.:** **29/259,862**

(22) **Filed:** **May 17, 2006**

(51) **LOC (8) Cl.** ..... **07-01**

(52) **U.S. Cl.** ..... **D7/552.2; D7/550.1**

(58) **Field of Classification Search** ..... D7/500,  
D7/501, 505, 550.1, 552.2, 553.6, 554.2,  
D7/558; D6/406.5; D12/415; D19/92,  
D19/99; 108/25; 206/449, 557, 558; 211/126.12,  
211/126.5; 219/702; 220/574, 575, DIG. 25  
See application file for complete search history.

(56) **References Cited**

**U.S. PATENT DOCUMENTS**

3,028,975	A *	4/1962	Bullock	.....	211/126.5
D197,981	S *	4/1964	Miller	.....	D7/505
D272,212	S *	1/1984	Daenen et al.	.....	D7/505
5,054,629	A *	10/1991	Breen	.....	211/126.12
D362,787	S *	10/1995	Burke	.....	D7/552.2
D373,708	S	9/1996	Hamilton		

5,958,277	A	9/1999	Lee		
D441,258	S *	5/2001	Spiegelman	.....	D7/558
D498,116	S *	11/2004	Papanastasiou	.....	D7/362
7,219,622	B1 *	5/2007	Powers	.....	119/61.53

\* cited by examiner

*Primary Examiner*—Philip S. Hyder  
*Assistant Examiner*—Cynthia Underwood  
(74) *Attorney, Agent, or Firm*—Richard C. Litman

(57) **CLAIM**

The ornamental design for a two-tier platter, as shown and described.

**DESCRIPTION**

FIG. 1 is a perspective view of a two-tier platter showing my new design;

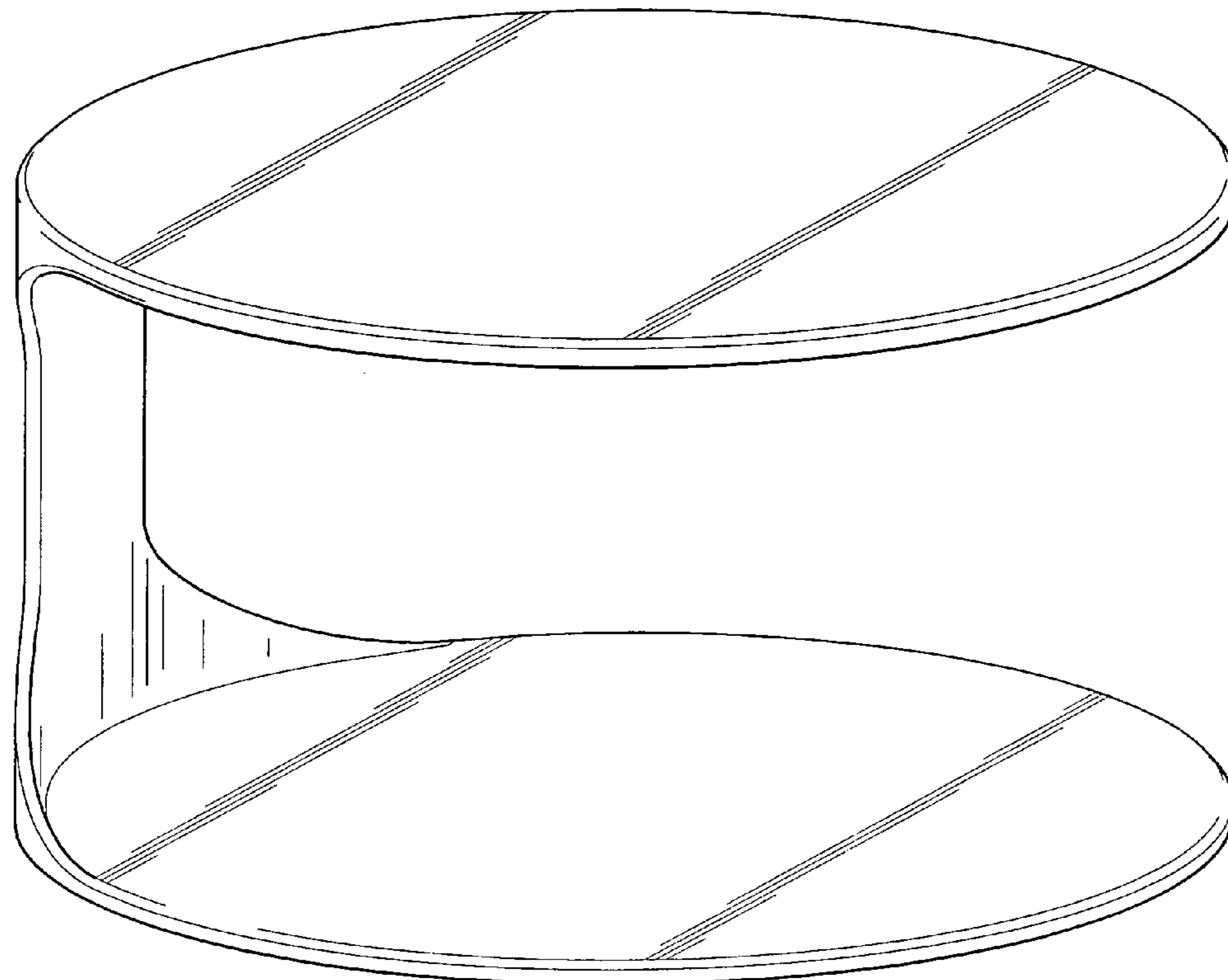
FIG. 2 is a front elevational view thereof;

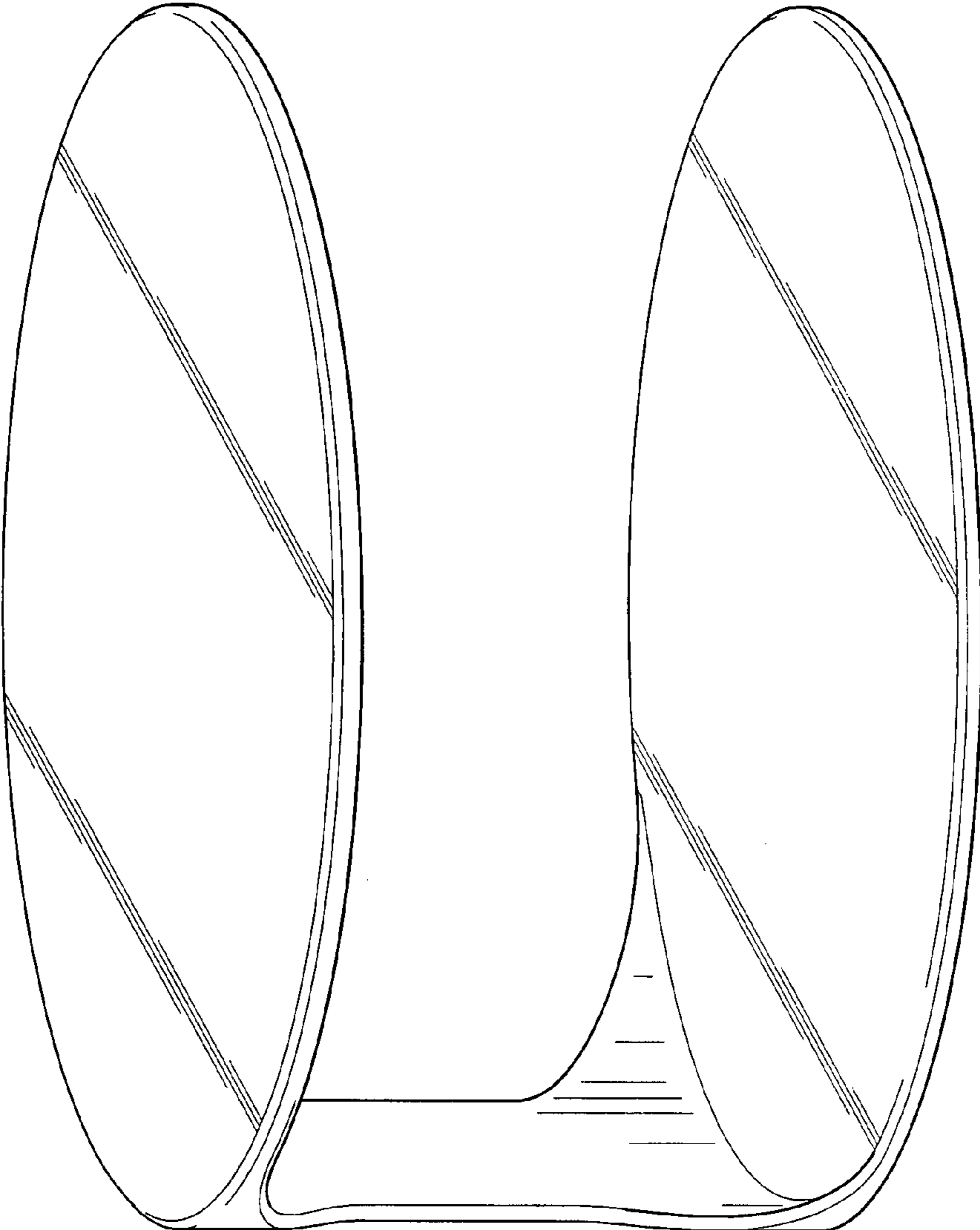
FIG. 3 is a rear elevational view thereof;

FIG. 4 is a right side elevational view with the left side being a mirror image thereof; and,

FIG. 5 is a top plan view with the bottom being a mirror image thereof.

**1 Claim, 5 Drawing Sheets**





**FIG. 1**

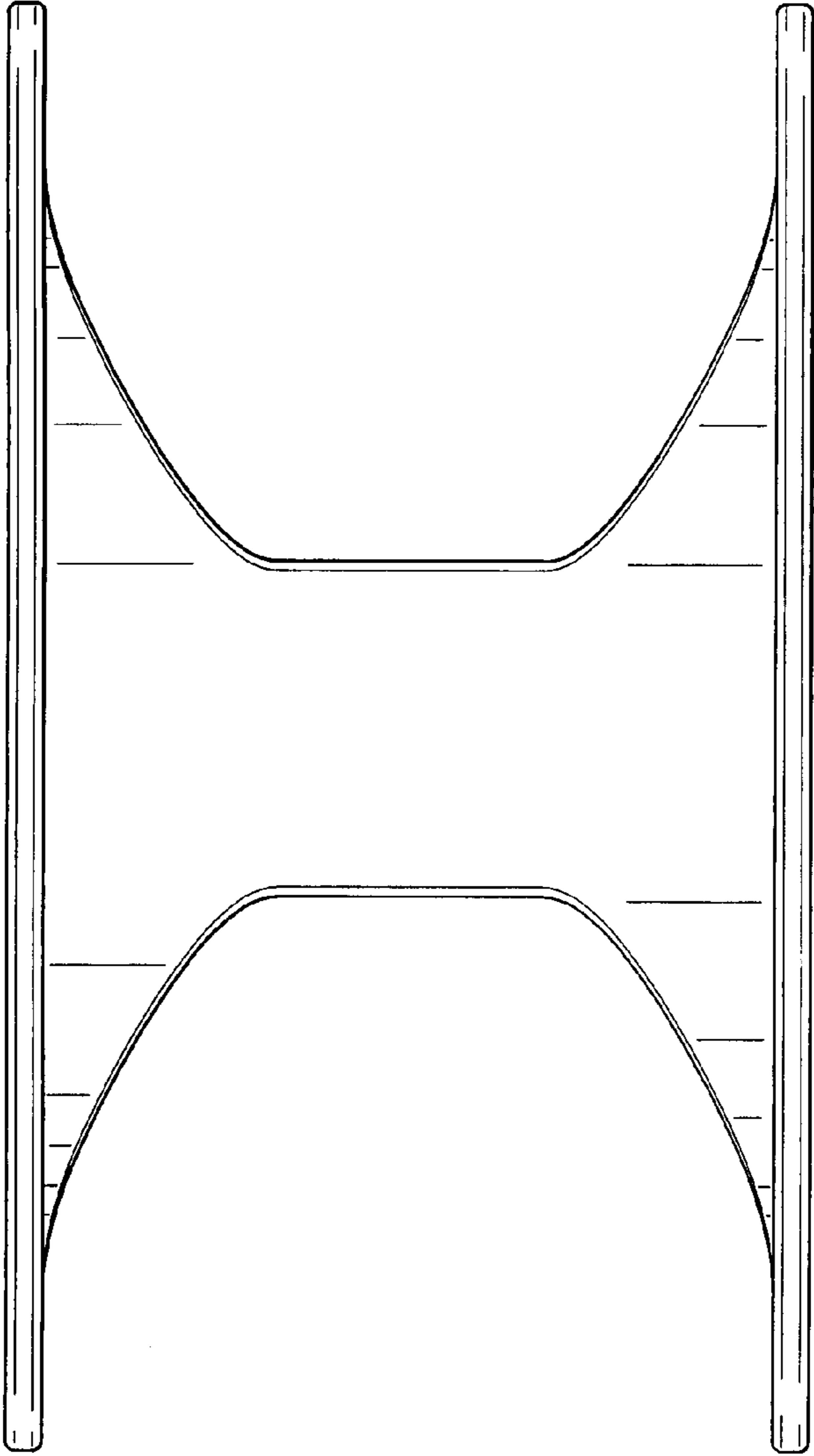
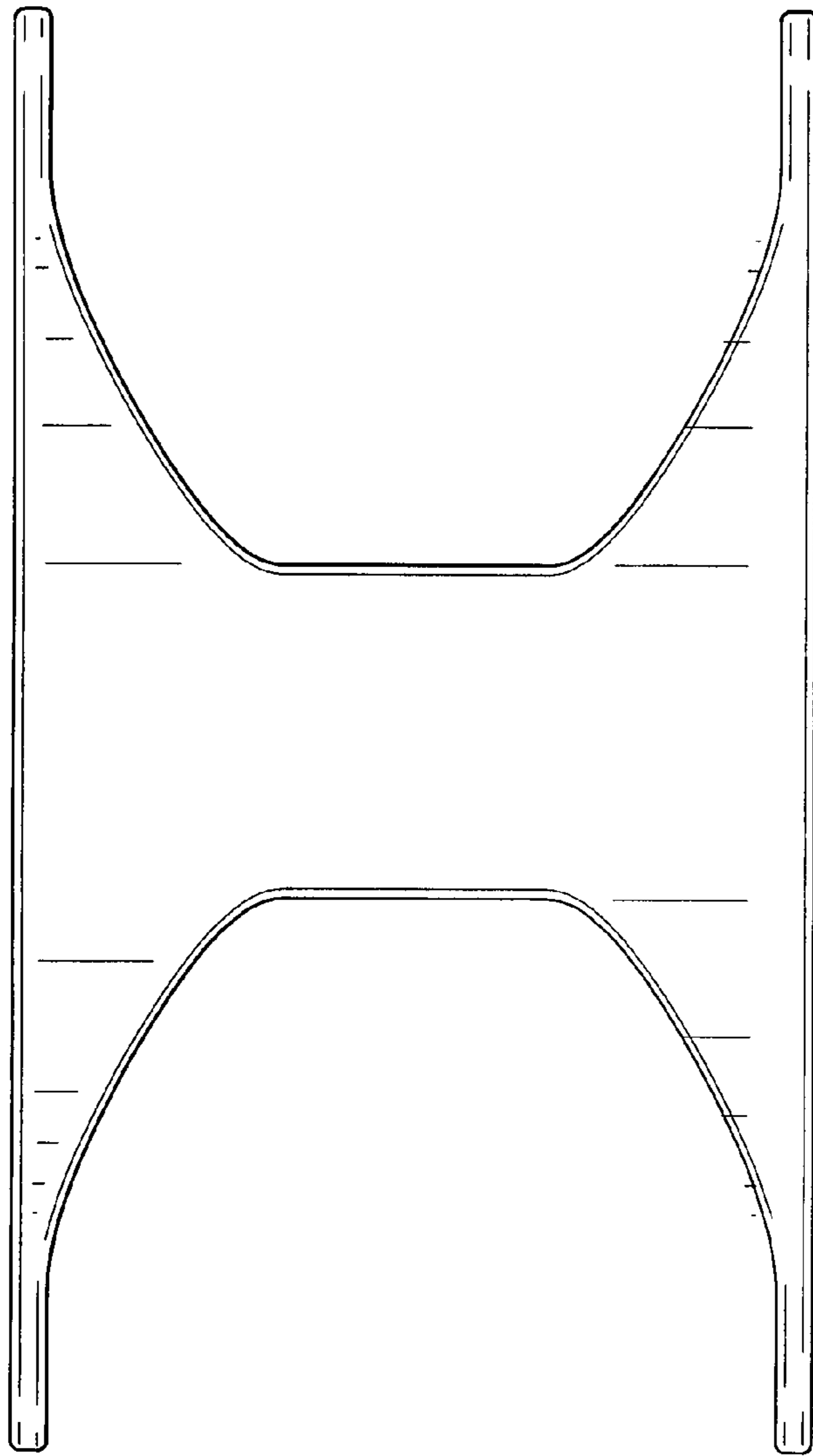
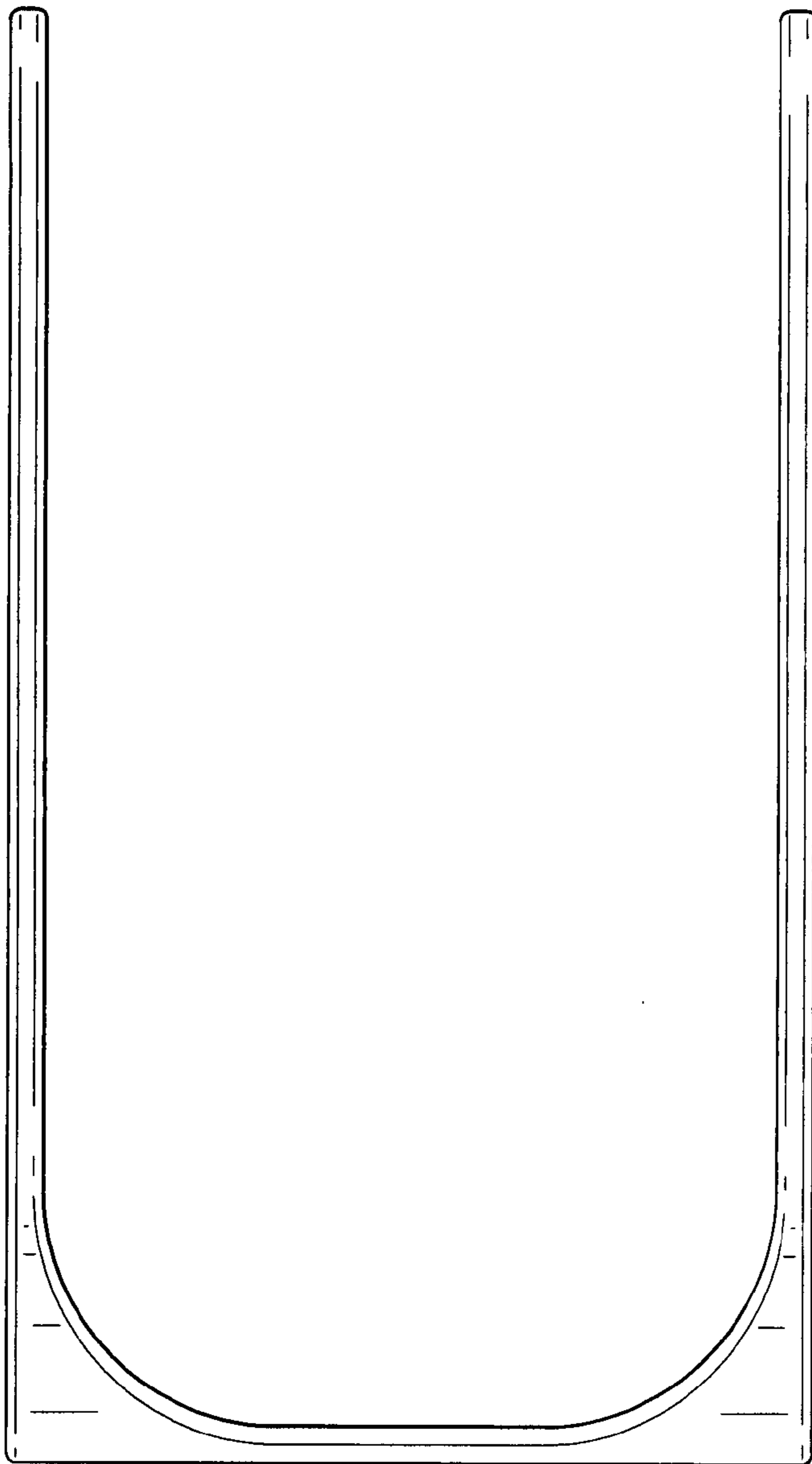


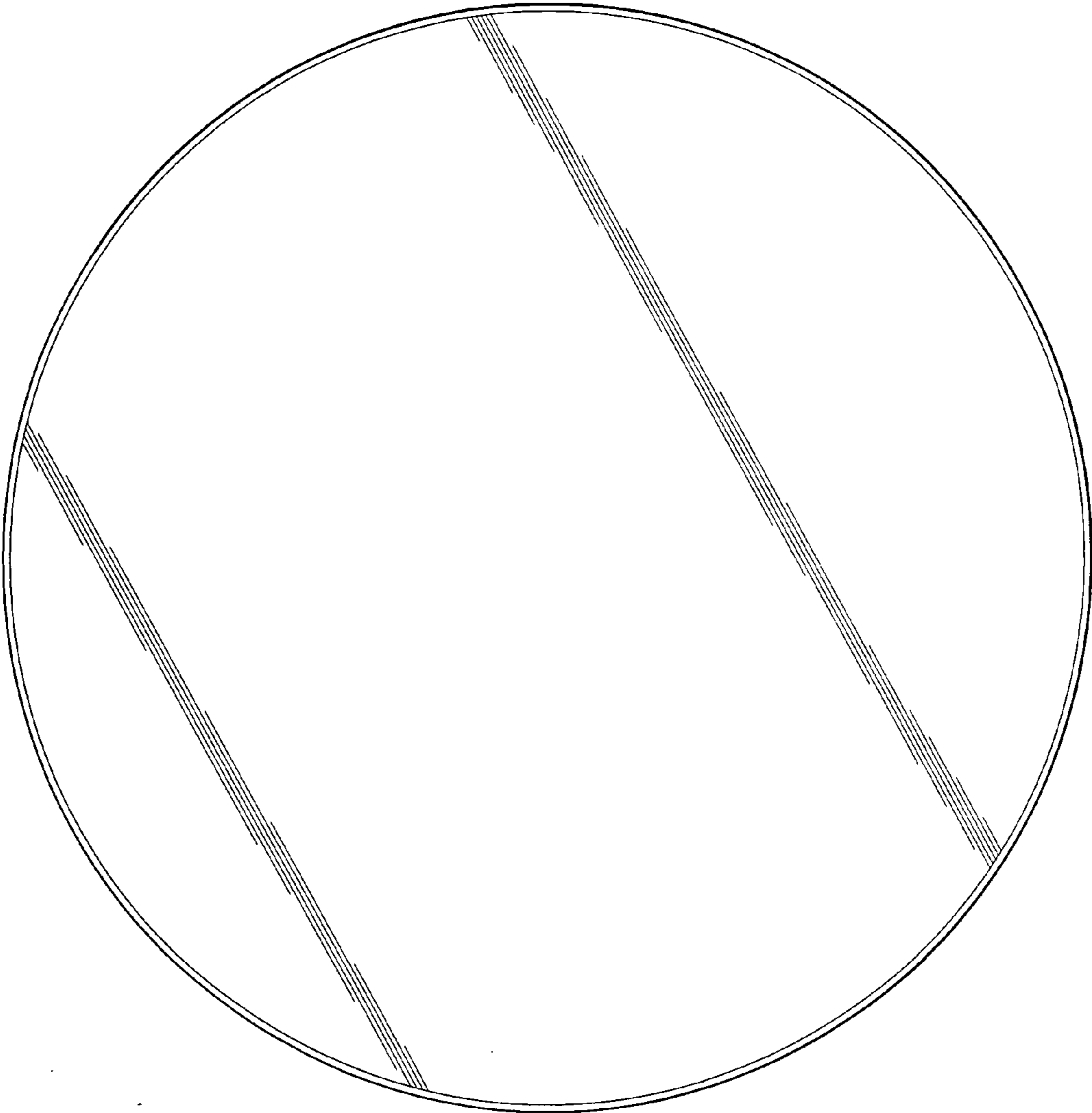
FIG. 2



**FIG. 3**



**FIG. 4**



**FIG. 5**