



US00D558523S

(12) **United States Design Patent** (10) **Patent No.:** **US D558,523 S**  
**Bhavnani** (45) **Date of Patent:** **\*\* Jan. 1, 2008**

(54) **ROUND MUG WITH TRIANGULAR BASE**

(75) Inventor: **Dilip Bhavnani**, Beverly Hills, CA (US)

(73) Assignee: **Sun Coast Merchandise Corporation**, Commerce, CA (US)

(\*\*) Term: **14 Years**

(21) Appl. No.: **29/231,443**

(22) Filed: **Jun. 2, 2005**

(51) **LOC (8) Cl.** ..... **07-01**

(52) **U.S. Cl.** ..... **D7/510; D7/511**

(58) **Field of Classification Search** ..... D7/392, D7/391.1, 393, 394, 502, 509-511, 523, 529, D7/531, 532, 533, 536, 608, 900; D9/502, D9/503, 504, 518; 215/387, DIG. 7; 220/605, 220/606, 592.17, 703, 710, 713, 719  
See application file for complete search history.

(56) **References Cited**

**U.S. PATENT DOCUMENTS**

D335,728 S \* 5/1993 Dziarsk et al. .... D34/1  
D365,759 S \* 1/1996 Otani et al. .... D9/504  
D399,392 S \* 10/1998 Husted ..... D7/511  
D417,589 S \* 12/1999 Parker ..... D7/510  
D424,878 S \* 5/2000 Freed ..... D7/533  
D433,876 S \* 11/2000 Freed ..... D7/532  
D441,609 S \* 5/2001 Hsu ..... D7/531  
D458,082 S \* 6/2002 Gluck ..... D7/510  
D462,575 S \* 9/2002 Gluck ..... D7/510  
D462,576 S \* 9/2002 Janky ..... D7/510  
D463,207 S \* 9/2002 Norris et al. .... D7/392.1  
D466,371 S \* 12/2002 Parker ..... D7/510

D471,763 S \* 3/2003 Hurlbut et al. .... D7/510  
D472,101 S \* 3/2003 Janky ..... D7/532  
D488,762 S \* 4/2004 Cahyono ..... D7/507  
D498,979 S \* 11/2004 Bhavnani ..... D7/510  
D512,269 S \* 12/2005 Trombly ..... D7/510  
D531,451 S \* 11/2006 Bin ..... D7/510  
D533,402 S \* 12/2006 Bin ..... D7/510  
D533,966 S \* 12/2006 Bakic ..... D28/76  
2006/0124651 A1 \* 6/2006 Bhavnani ..... 220/592.17

\* cited by examiner

*Primary Examiner*—T. Chase Nelson

*Assistant Examiner*—Karen Acker

(74) *Attorney, Agent, or Firm*—The Soni Law Firm

(57) **CLAIM**

The ornamental design for a round mug with triangular base, as shown and described.

**DESCRIPTION**

FIG. 1 is a front perspective view of a round mug with triangular base;

FIG. 2 is a front elevation view thereof;

FIG. 3 is a side elevation view thereof;

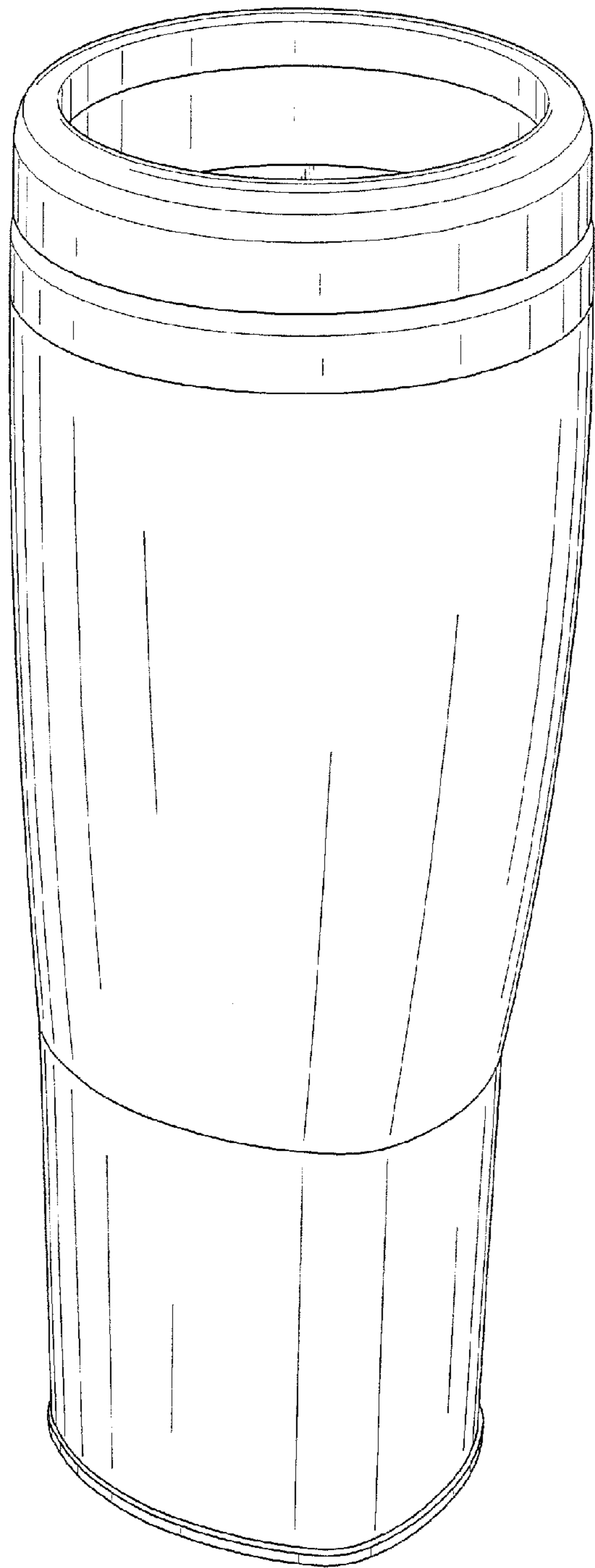
FIG. 4 is a rear elevation view thereof;

FIG. 5 is a top plan view with the phantom lines depicting environmental structure and forming no part of the claimed design; and,

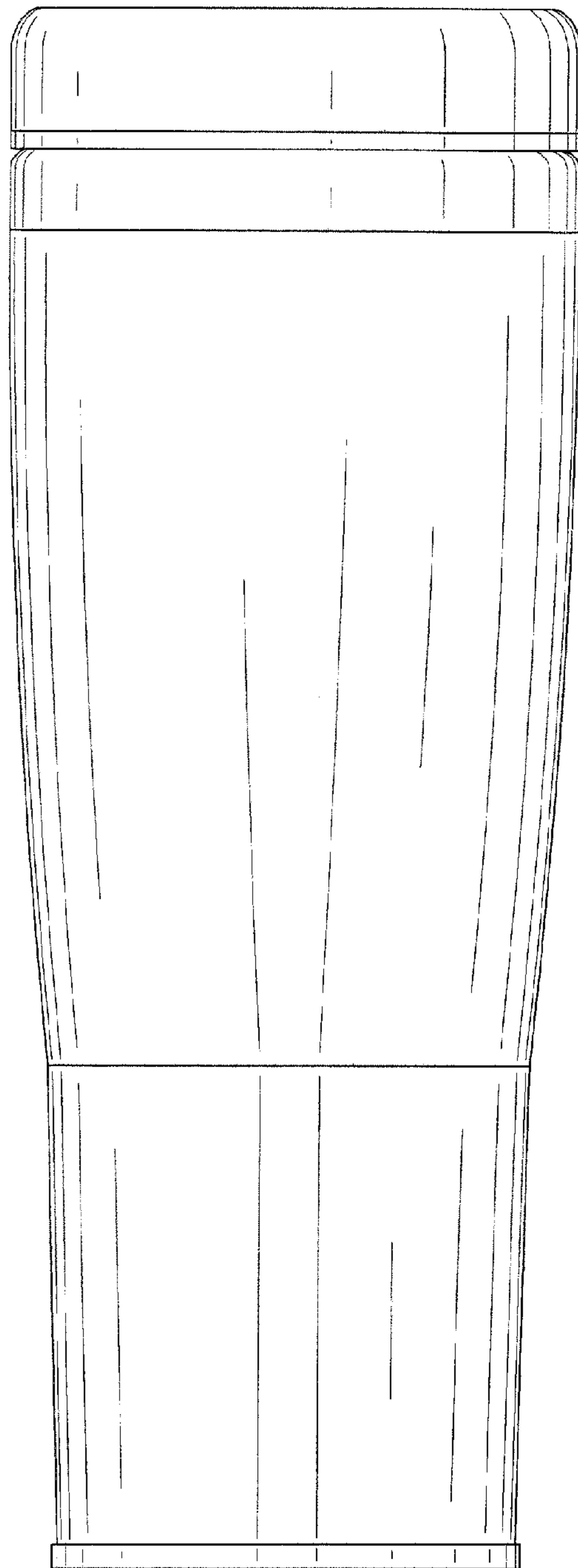
FIG. 6 is a bottom plan view with the phantom lines depicting environmental structure and forming no part of the claimed design.

**1 Claim, 3 Drawing Sheets**

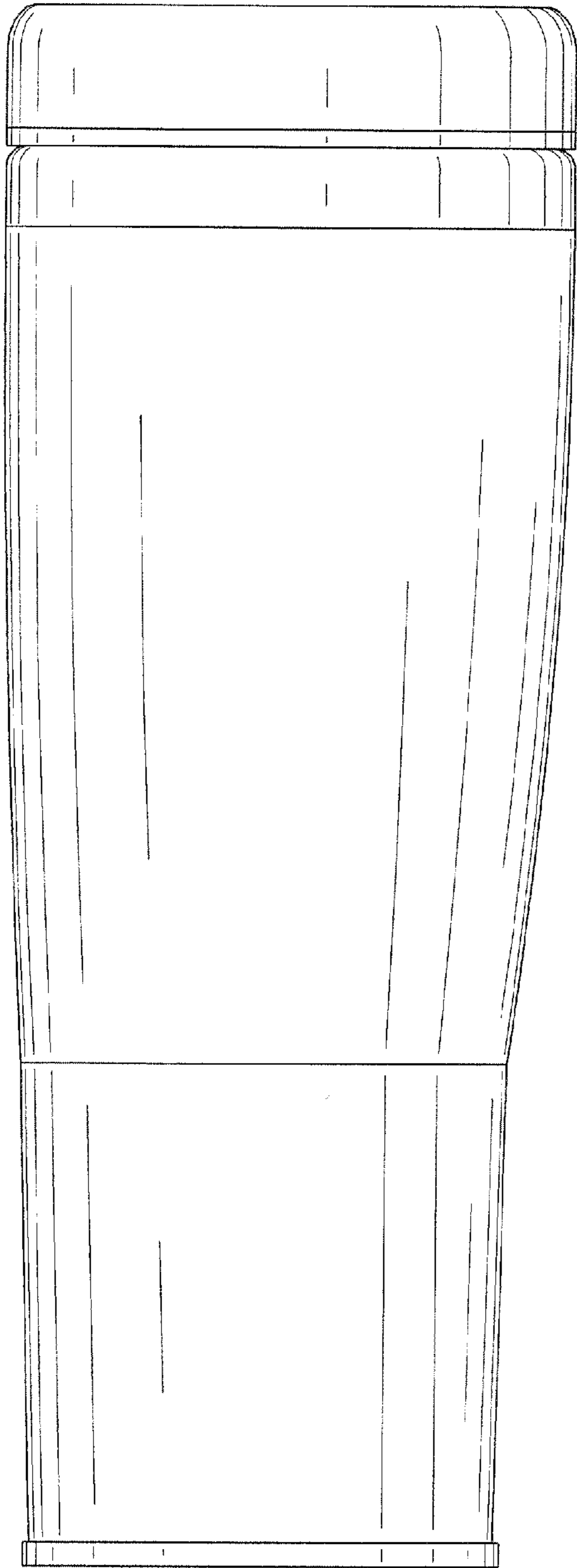




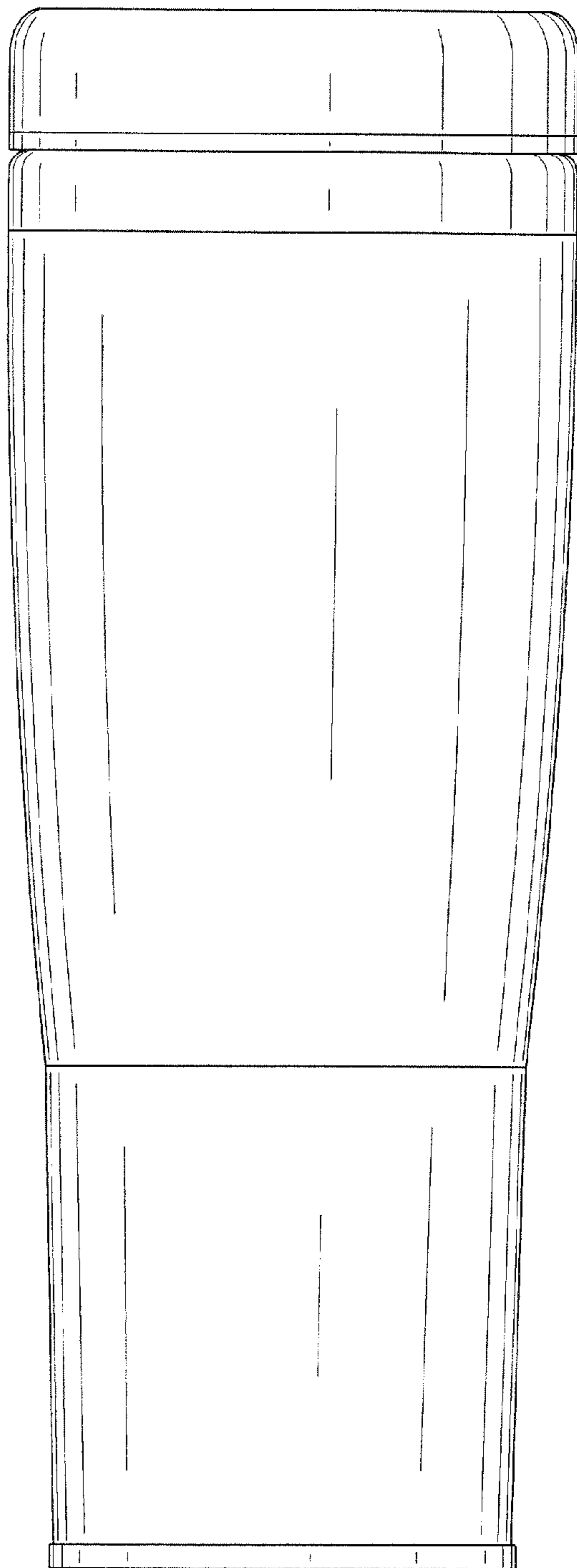
*FIG. 1*



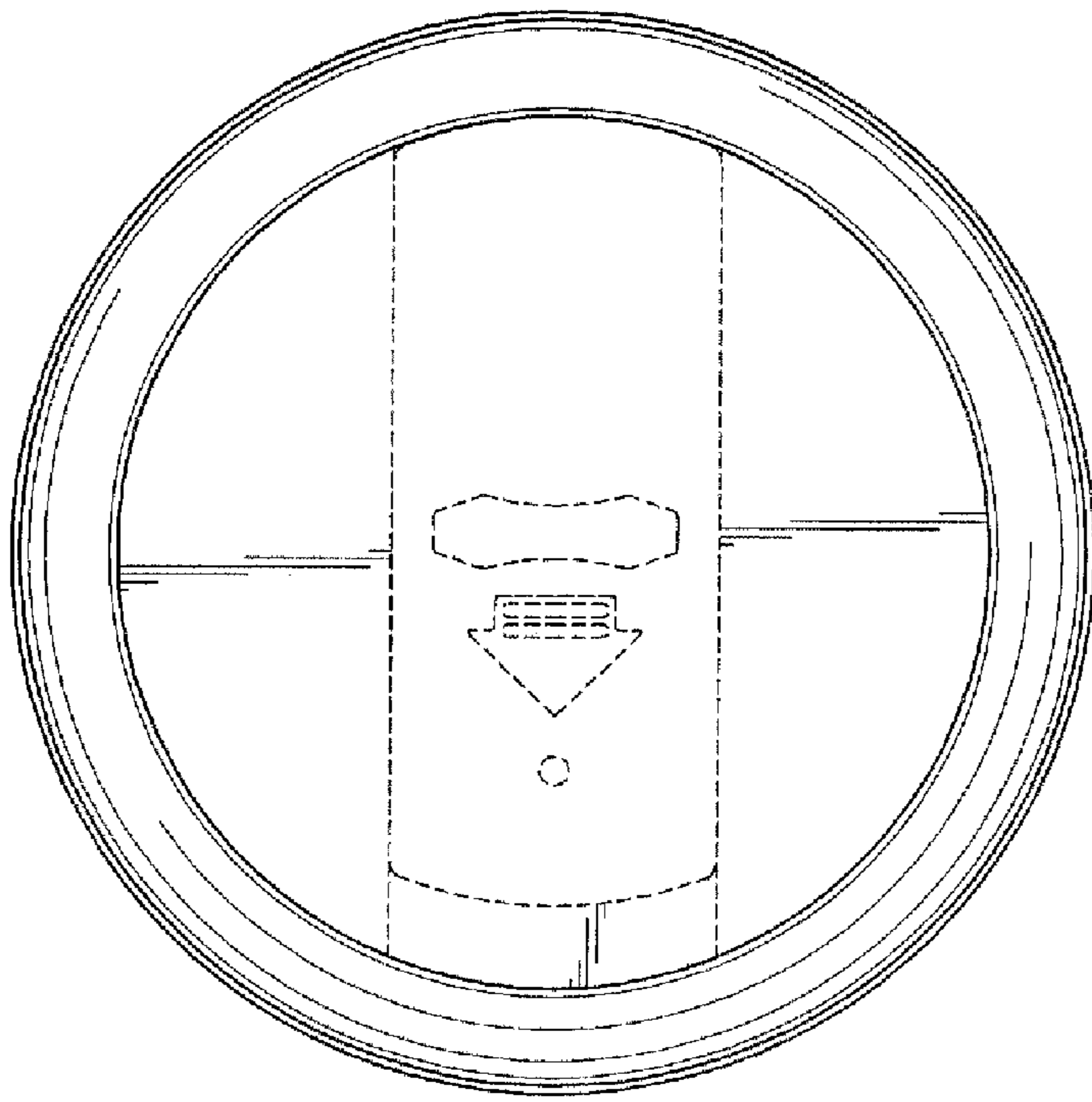
*FIG. 2*



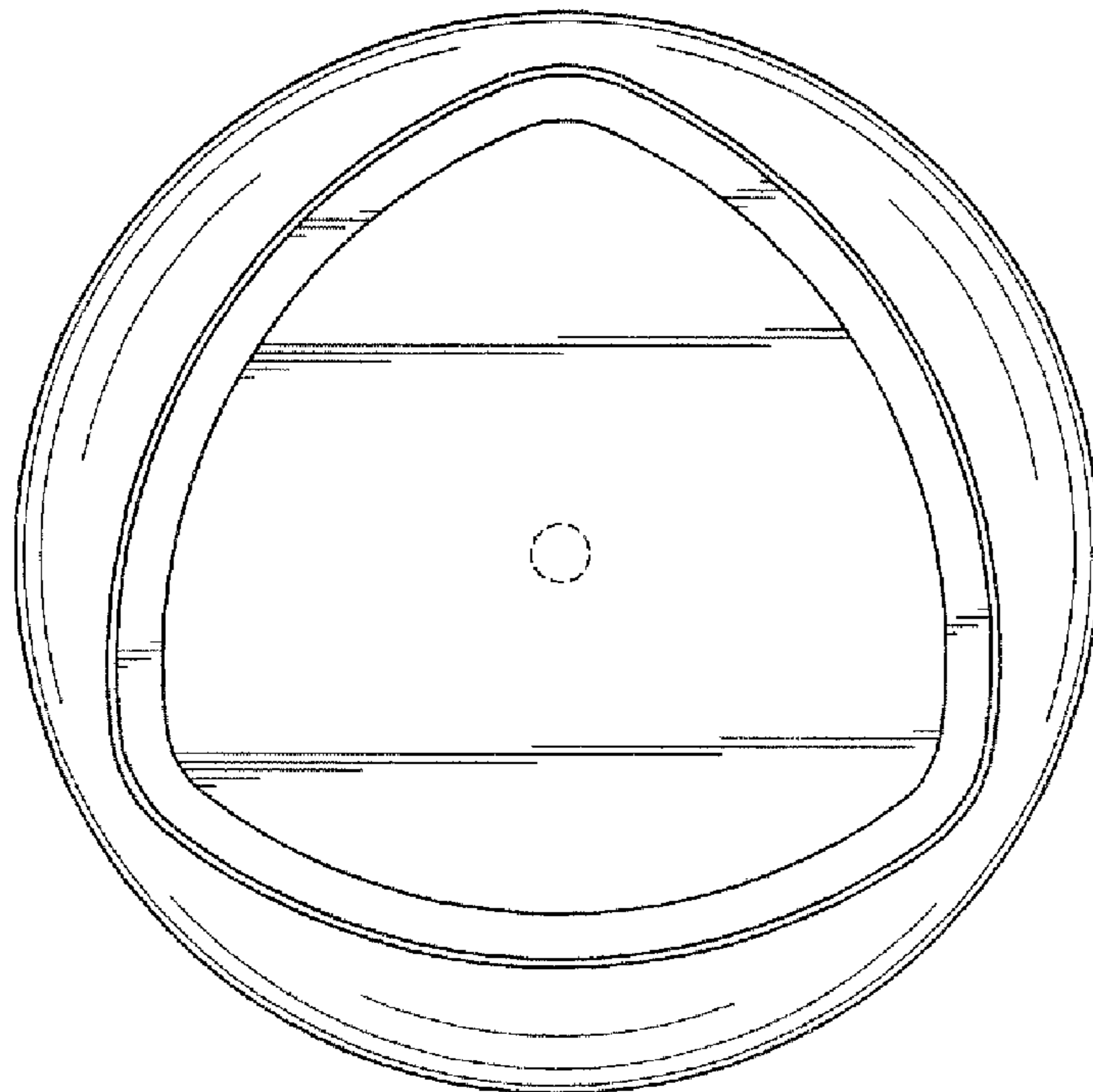
*FIG. 3*



*FIG. 4*



*FIG. 5*



*FIG. 6*