



US00D558522S

(12) **United States Design Patent**
Chevalier

(10) **Patent No.:** **US D558,522 S**
(45) **Date of Patent:** **** Jan. 1, 2008**

(54) **UTILITY LIGHTER**

(76) Inventor: **Jean-Francois Chevalier**, 107, rue de Reuilly, Paris (FR) 75012

(**) Term: **14 Years**

(21) Appl. No.: **29/256,344**

(22) Filed: **Mar. 17, 2006**

(30) **Foreign Application Priority Data**

Sep. 19, 2005 (EM) 000403274

(51) **LOC (8) Cl.** **07-99**

(52) **U.S. Cl.** **D7/416**

(58) **Field of Classification Search** D7/416,
D7/417; D27/141, 147, 152-156, 160, 181;
126/25 B, 229, 401; 431/153, 255, 256,
431/266, 310, 344, 345

See application file for complete search history.

(56) **References Cited**

U.S. PATENT DOCUMENTS

- 2,549,726 A * 4/1951 Van Toll 131/185
- 3,711,240 A 1/1973 Warshaw
- D241,645 S 9/1976 Lanzi
- D254,872 S 4/1980 Plozner
- D258,840 S 4/1981 Plozner
- D267,820 S 2/1983 Tomita
- D277,307 S 1/1985 Zeller
- D293,603 S 1/1988 Matsumaru
- D294,329 S 2/1988 Matsumaru
- D295,598 S 5/1988 Takase
- D298,272 S 10/1988 Nitta
- 4,778,380 A 10/1988 Nitta
- D314,118 S 1/1991 Lloveras Capilla
- D346,876 S 5/1994 Cockram
- D360,107 S * 7/1995 Segawa D7/416
- D362,313 S 9/1995 Zeller
- D365,726 S 1/1996 Hsu
- 5,616,022 A 4/1997 Moran, IV
- D382,172 S 8/1997 Zemel
- D382,444 S 8/1997 Ferrara, Jr.
- D405,644 S 2/1999 Hsu

- 5,865,614 A 2/1999 Hsu
- D410,819 S 6/1999 Hsu
- 6,012,916 A 1/2000 Liang
- D424,372 S 5/2000 Chevalier
- D424,374 S 5/2000 Stein
- D425,369 S 5/2000 Sung
- D428,766 S * 8/2000 Galimond D7/416
- D435,933 S 1/2001 Chen
- D437,526 S 2/2001 Umemoto
- D440,706 S 4/2001 Harel
- 6,217,313 B1 4/2001 Luo
- 6,241,511 B1 6/2001 Hsu
- D448,110 S 9/2001 Xu
- D448,240 S 9/2001 Inoue

(Continued)

FOREIGN PATENT DOCUMENTS

CA 2463984 4/2004

(Continued)

Primary Examiner—T. Chase Nelson

Assistant Examiner—Karen Acker

(74) *Attorney, Agent, or Firm*—The H.T. Than Law Group

(57) **CLAIM**

The ornamental design for a utility lighter, as shown and described.

DESCRIPTION

FIG. 1 is a rear view of an ornamental design for a utility lighter according to the present invention;

FIG. 2 is a front view thereof;

FIG. 3 is a bottom view thereof;

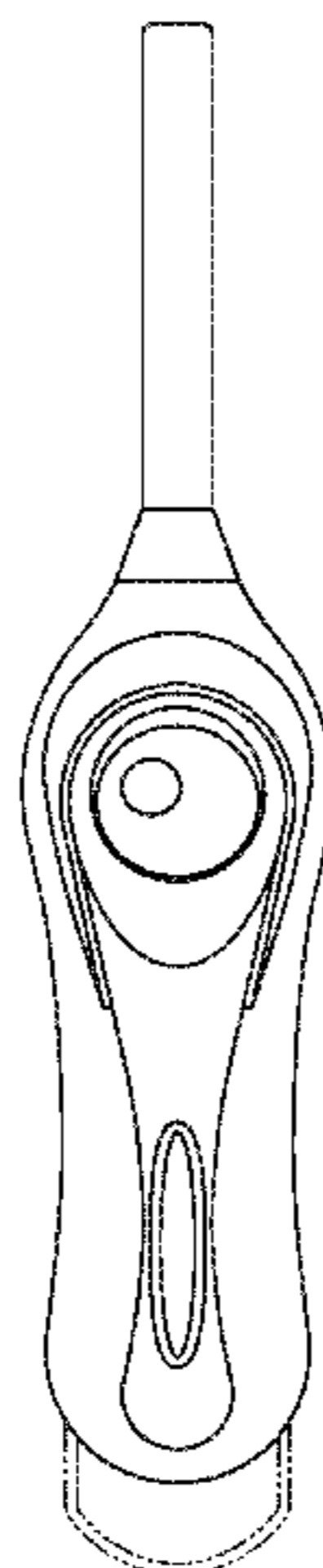
FIG. 4 is a top plan view thereof;

FIG. 5 is a left side plan view thereof; and,

FIG. 6 is a perspective view thereof.

The portions shown in broken lines are included for the purpose of illustration and form no part of the claimed design.

1 Claim, 3 Drawing Sheets



US D558,522 S

Page 2

U.S. PATENT DOCUMENTS

D448,618 S 10/2001 Chevalier
D450,534 S * 11/2001 Wang D7/416
6,318,992 B1 * 11/2001 Sung 431/153
D454,032 S 3/2002 Xu
D454,277 S 3/2002 Chevalier
D464,168 S 10/2002 Reynolds
D468,055 S 12/2002 Harel
D472,343 S 3/2003 Lin
6,616,443 B2 9/2003 Saito
RE38,260 E 10/2003 Wong
6,644,958 B1 * 11/2003 Li 431/153
D485,008 S 1/2004 Chen
D491,766 S 6/2004 Hsu
D493,666 S 8/2004 Haffner
D497,285 S 10/2004 Qi

D501,757 S 2/2005 Levinger
D504,976 S 5/2005 Kwok
2003/0124476 A1 7/2003 Chung Yang
2004/0219467 A1 11/2004 Laforest
2005/0014101 A1 1/2005 Hsu
2005/0037304 A1 2/2005 Sertzawa

FOREIGN PATENT DOCUMENTS

JP D1111888 6/2001
JP D1111889 6/2001
JP D1111900 6/2001
JP D1142065 5/2002
JP D1157235 11/2002
JP D1189762 11/2003
WO WO03036171 5/2003

* cited by examiner

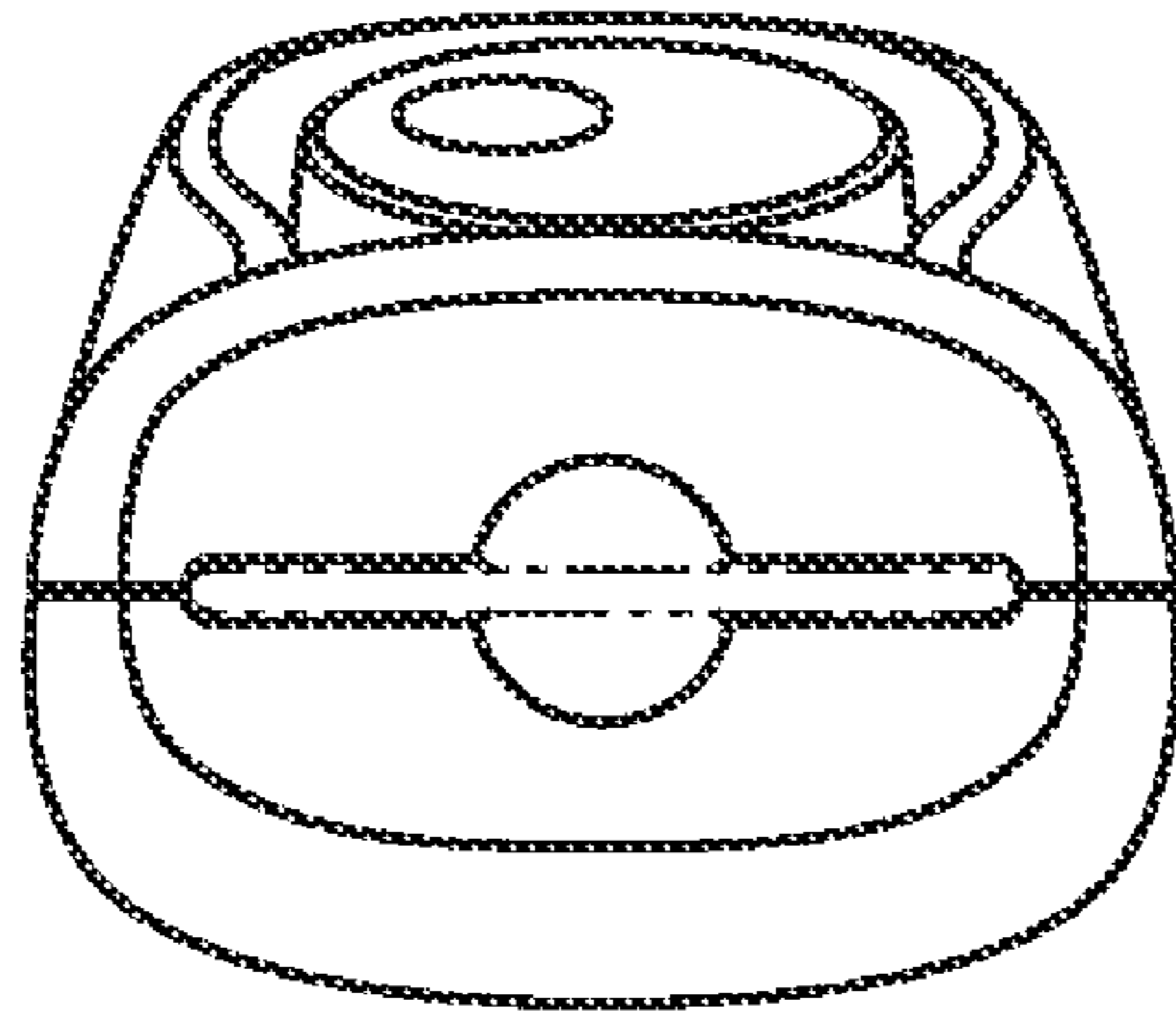


FIG. 1

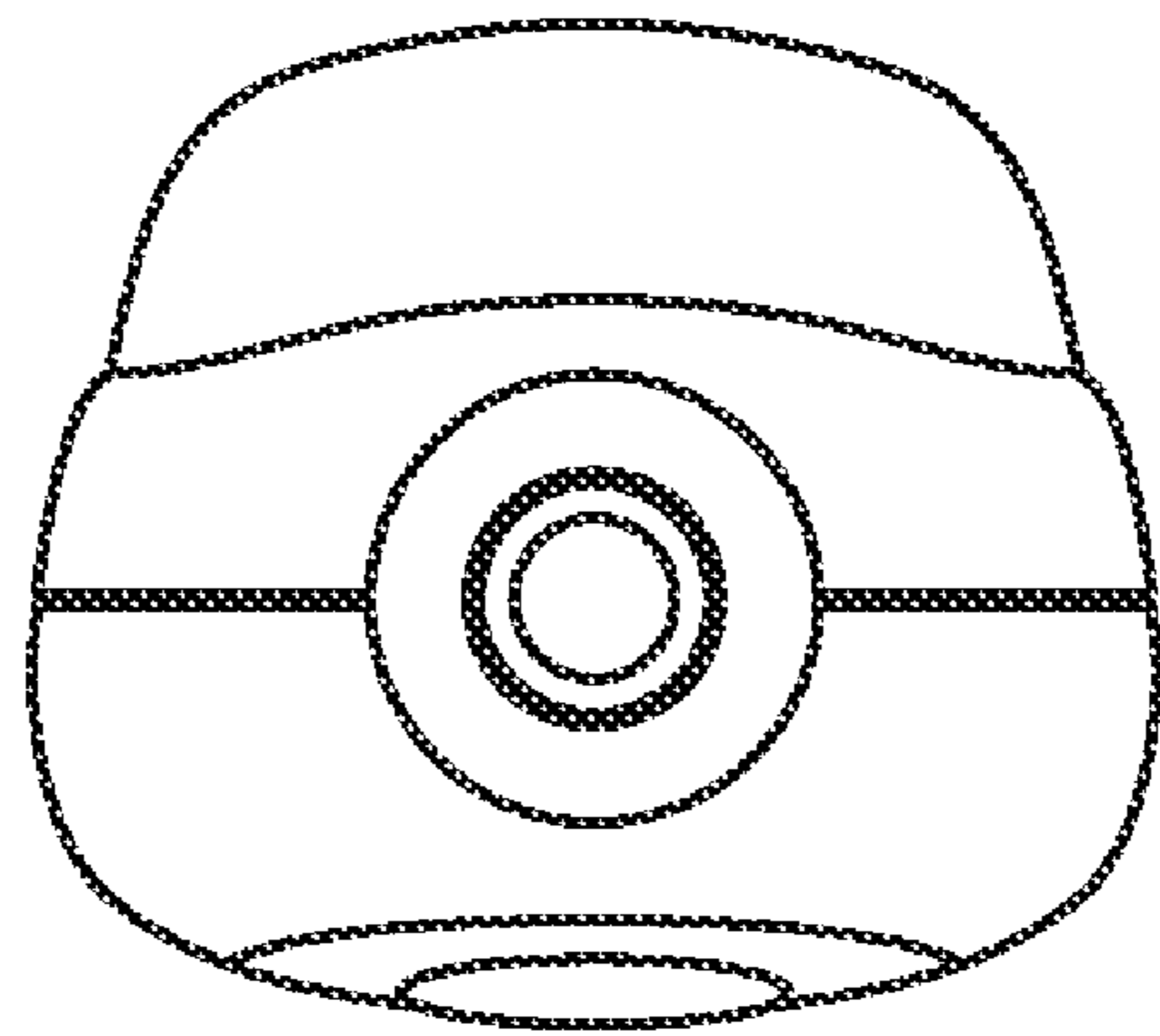


FIG. 2

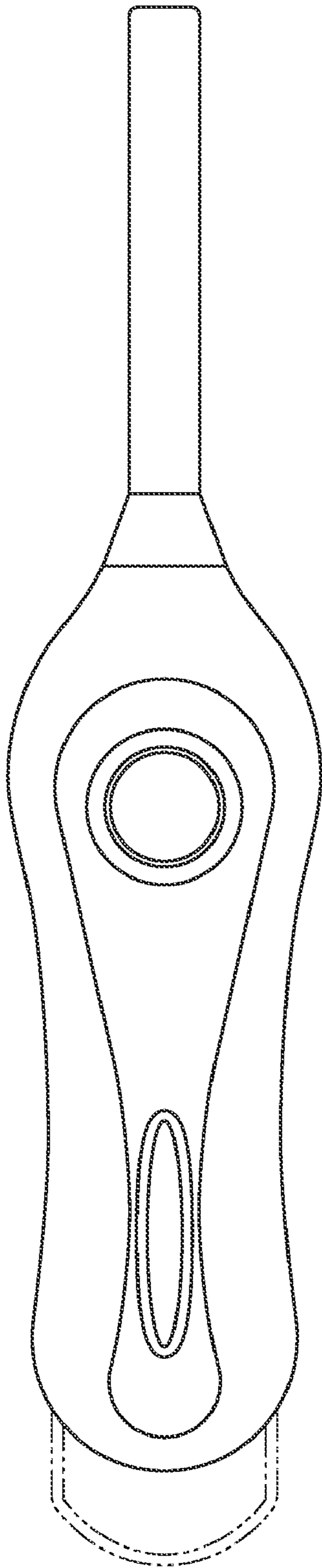


FIG. 3

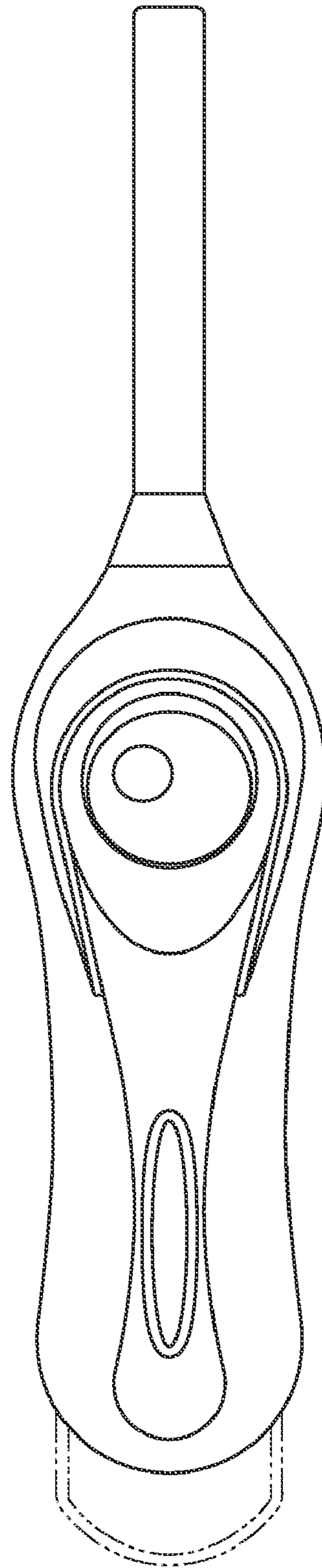


FIG. 4

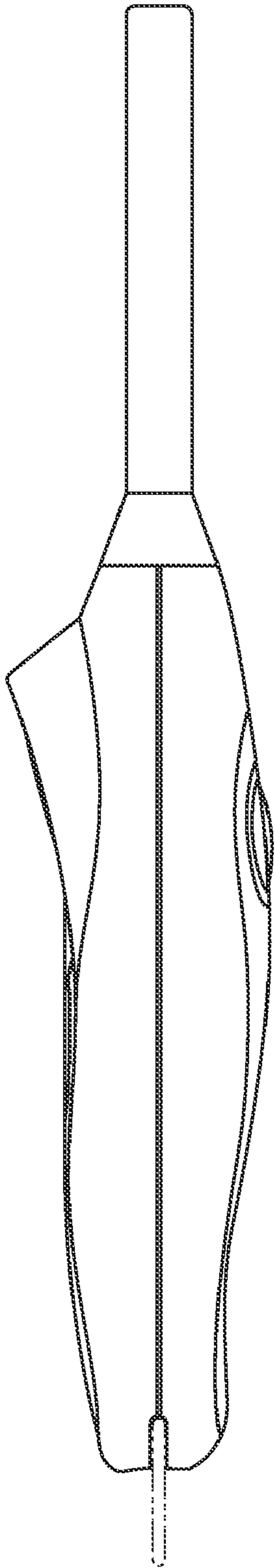


FIG. 5

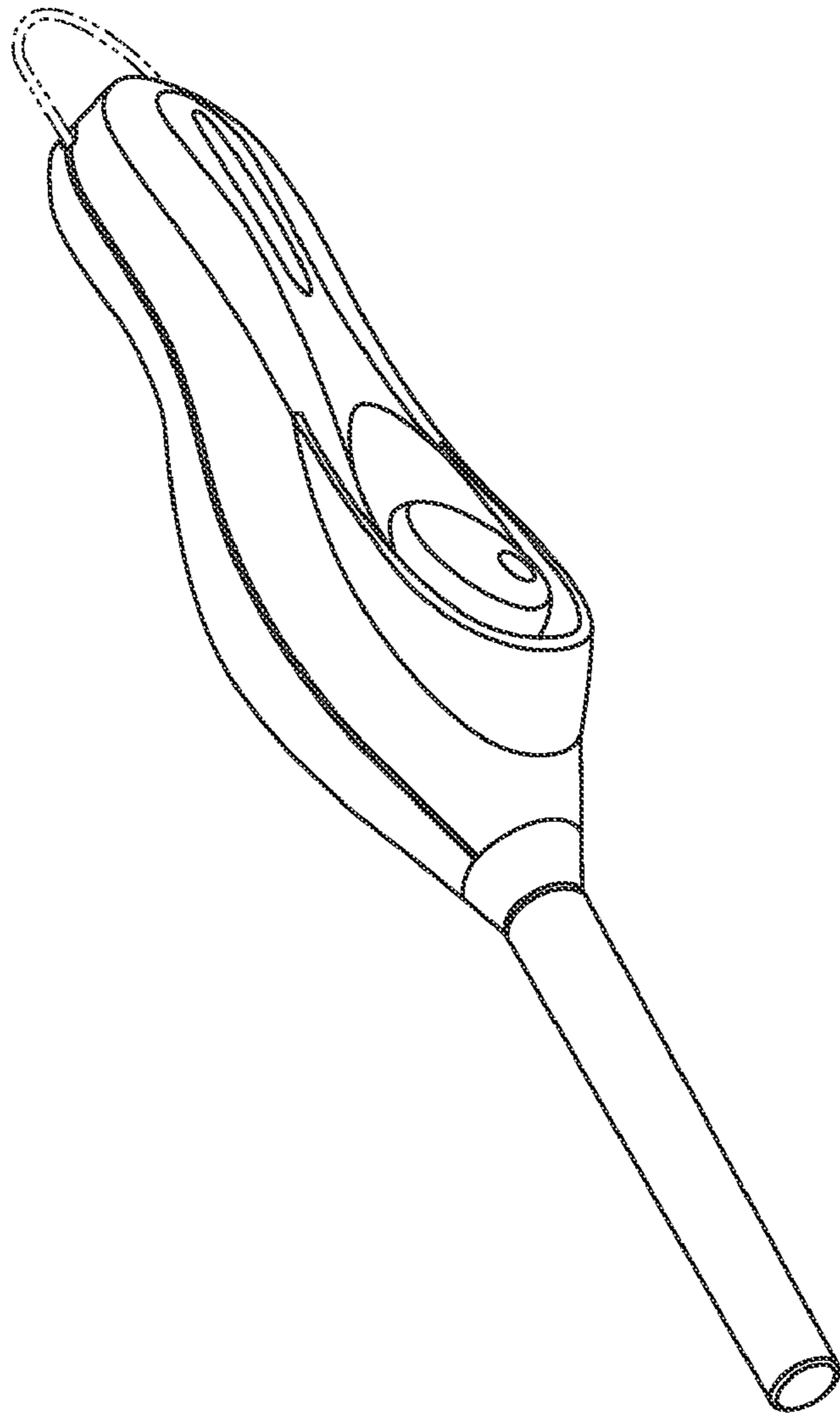


FIG. 6