



US00D558520S

(12) **United States Design Patent**
Raichlen et al.

(10) **Patent No.:** **US D558,520 S**
(45) **Date of Patent:** **** Jan. 1, 2008**

(54) **SKEWER HOLDER**

(75) Inventors: **Steven Raichlen**, Miami, FL (US);
Charles Adams, Berkeley, CA (US)

(73) Assignee: **Charcoal Companion Incorporated**,
Emeryville, CA (US)

(**) Term: **14 Years**

(21) Appl. No.: **29/266,215**

(22) Filed: **Sep. 15, 2006**

(51) **LOC (8) Cl.** **07-02**

(52) **U.S. Cl.** **D7/409**

(58) **Field of Classification Search** D7/323,
D7/337, 354-361, 409; 99/324, 402, 419,
99/422, 421 A, 421 HH, 421 H, 421 R, 426-427;
211/60.1, 85.4; 220/573.1, 485, 491-494,
220/752, 759, 769, 912; 126/275 R; 294/33
See application file for complete search history.

(56) **References Cited**

U.S. PATENT DOCUMENTS

- 3,297,166 A * 1/1967 Summers 211/60.1
- 3,858,495 A * 1/1975 Gotwalt 99/421 HH
- 4,429,435 A * 2/1984 Walls 99/419
- D275,170 S * 8/1984 Bentson D7/409
- D277,540 S * 2/1985 Thomas et al. D7/337
- D302,229 S * 7/1989 Gilgore et al. D7/409

- 5,172,628 A * 12/1992 Pillsbury et al. 99/421 H
- 5,715,744 A * 2/1998 Coutant 99/421 H
- 5,870,946 A * 2/1999 Dudley 99/426
- 5,887,513 A * 3/1999 Fielding et al. 99/421 A
- D417,124 S * 11/1999 Chen D7/409
- D418,717 S * 1/2000 Dudley D7/409
- 7,107,898 B2 * 9/2006 Sculuca 99/421 A

* cited by examiner

Primary Examiner—Mimosa De

Assistant Examiner—Ricky Pham

(74) *Attorney, Agent, or Firm*—Donald L. Beeson; Beeson
Skinner Beverly, LLP

(57) **CLAIM**

The ornamental design for a skewer holder, as shown and
described.

DESCRIPTION

FIG. 1 is a top perspective view of a skewer holder showing
our new design;

FIG. 2 is a top plan view thereof;

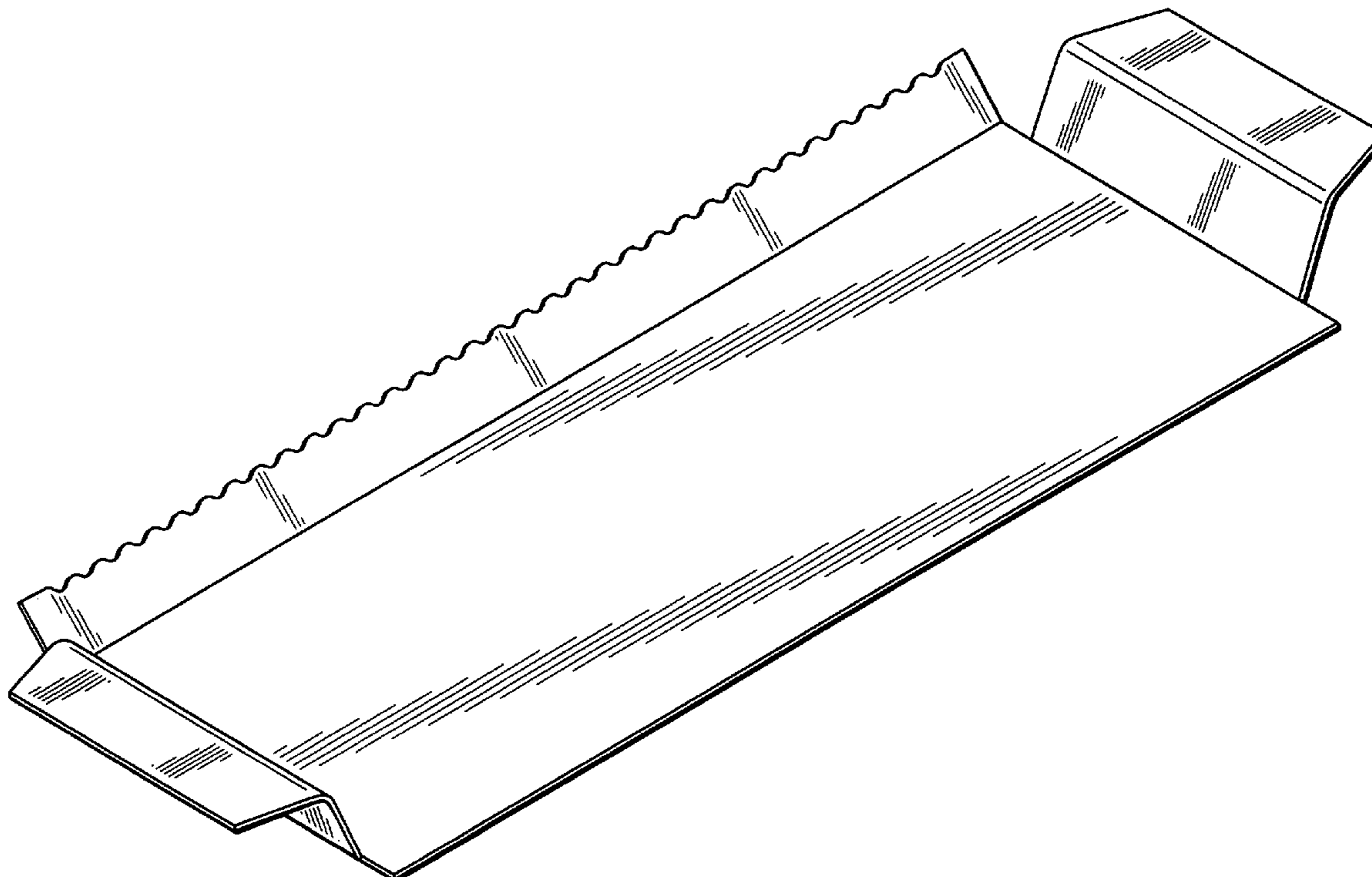
FIG. 3 is a front elevational view thereof;

FIG. 4 is a bottom plan view thereof;

FIG. 5 is a rear elevational view; and,

FIG. 6 is a left side elevational view thereof; the right side
view being a mirror image.

1 Claim, 3 Drawing Sheets



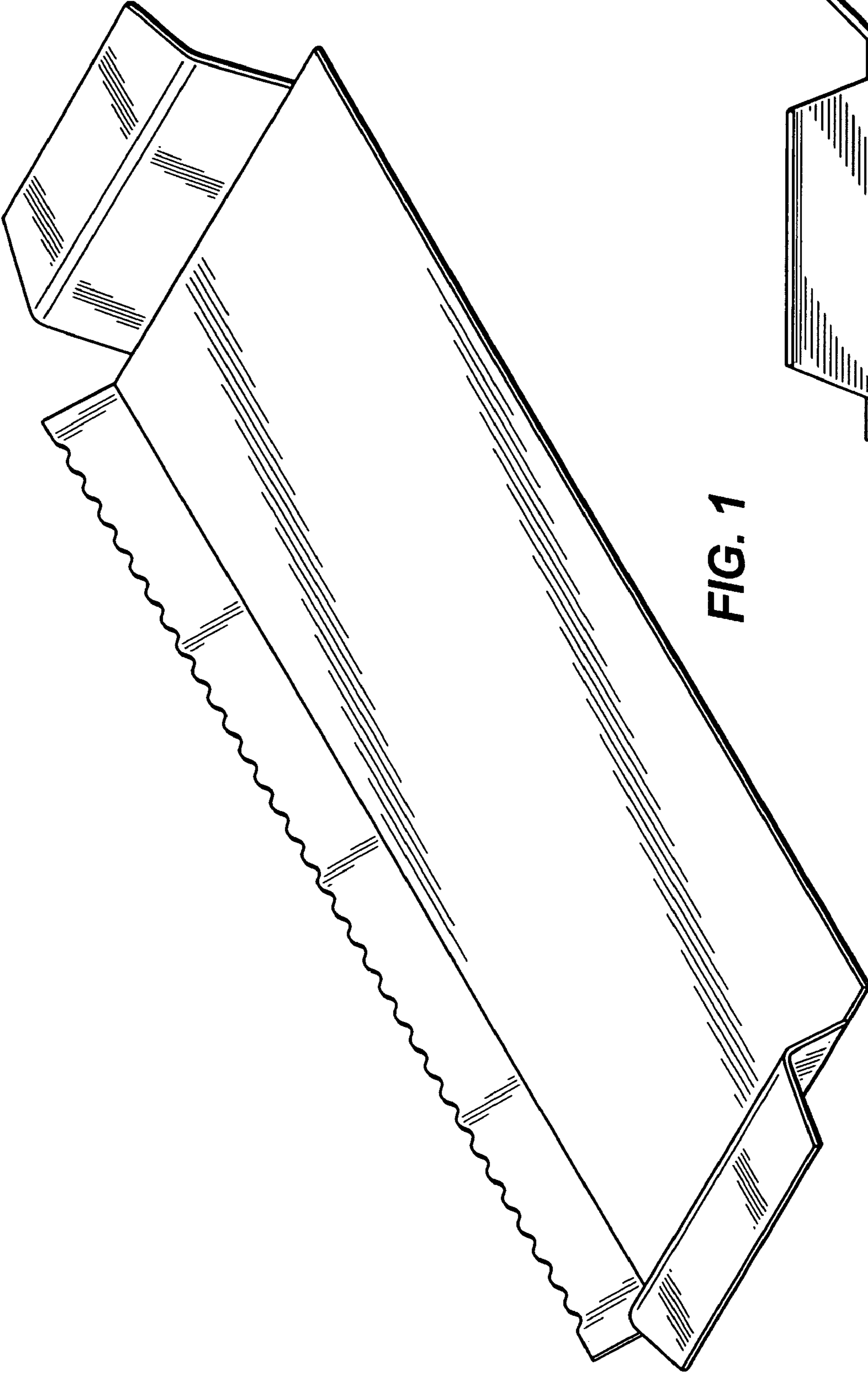


FIG. 1



FIG. 6

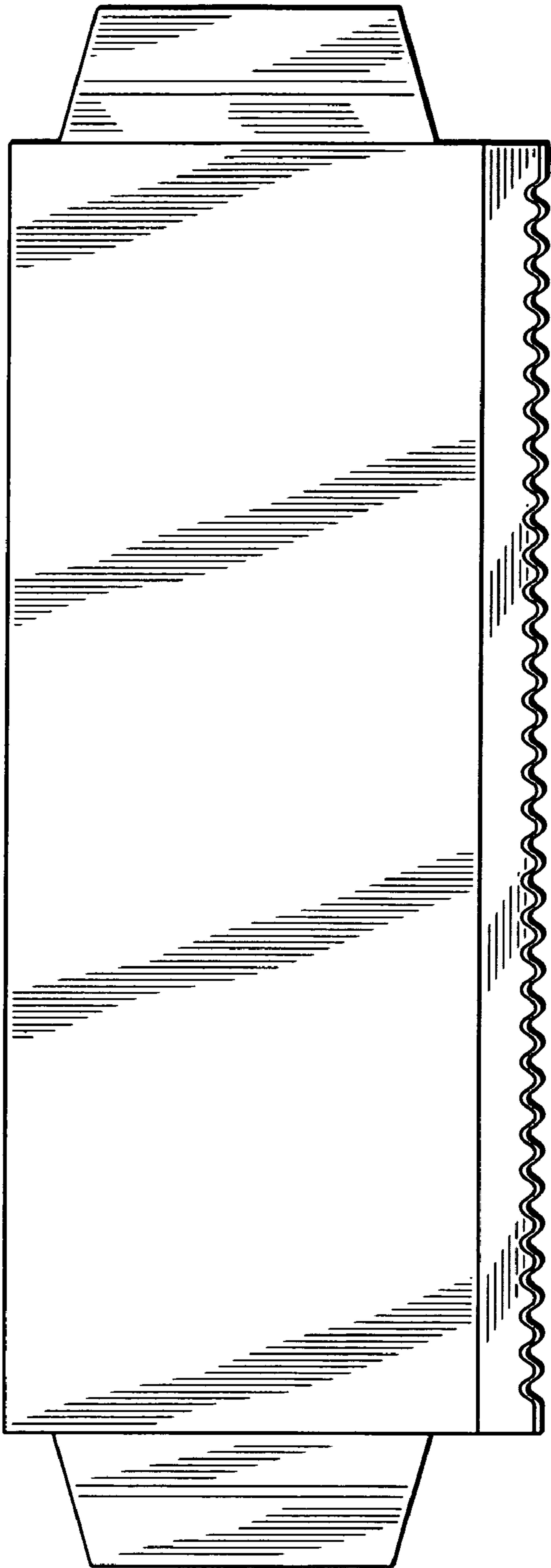


FIG. 2

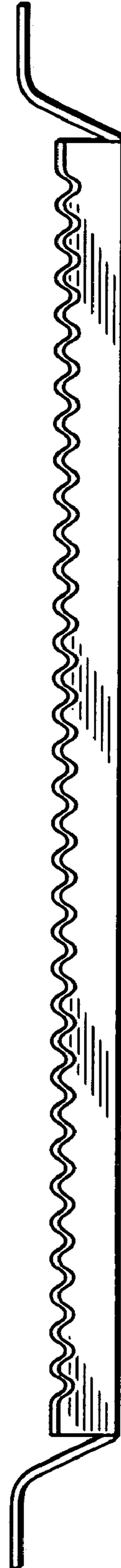


FIG. 3

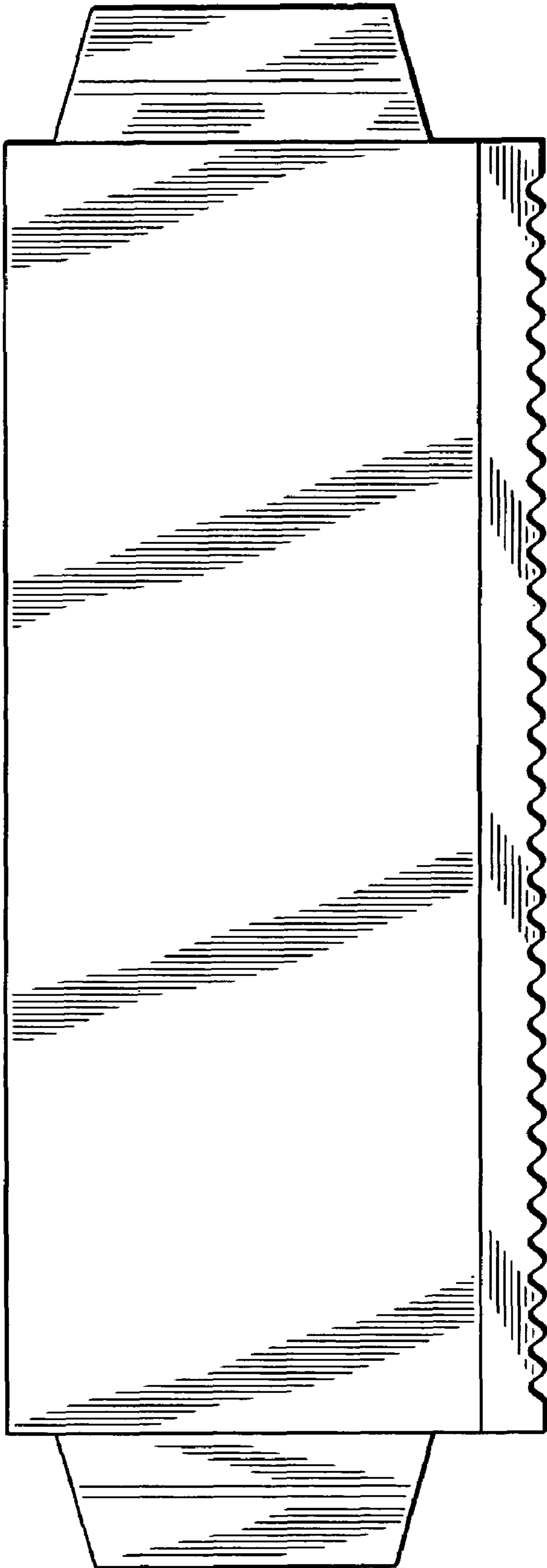


FIG. 4

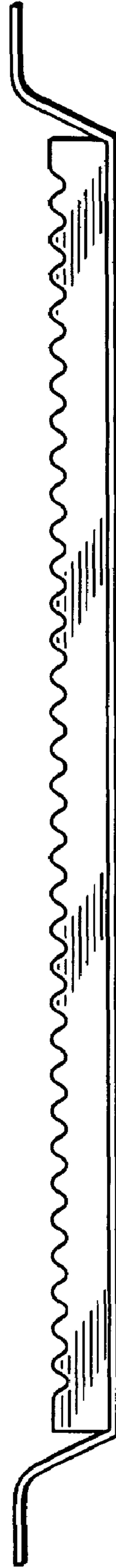


FIG. 5