



US00D558517S

(12) **United States Design Patent**  
**Larkin et al.**

(10) **Patent No.:** **US D558,517 S**  
(45) **Date of Patent:** **\*\* Jan. 1, 2008**

(54) **SPICE BOTTLE TOP**

(75) Inventors: **Robert Larkin**, Lakeland, TN (US);  
**Allen E. Wade**, Ankeny, IA (US)

(73) Assignee: **ACH Food Companies, Inc.**, Cordova,  
TN (US)

(\*\*) Term: **14 Years**

(21) Appl. No.: **29/275,776**

(22) Filed: **Jan. 5, 2007**

(51) **LOC (8) Cl.** ..... **07-06**

(52) **U.S. Cl.** ..... **D7/401.1; D9/447; D9/454;**  
D7/591

(58) **Field of Classification Search** ..... D7/590-597,  
D7/679, 401.1; D9/435, 447, 454, 905; 222/142.1-142.9,  
222/480, 482, 545; 241/168, 169, 169.1  
See application file for complete search history.

(56) **References Cited**

U.S. PATENT DOCUMENTS

1,977,649	A	10/1934	Sharp	
2,022,151	A *	11/1935	Riddle	241/89.4
2,471,507	A *	5/1949	Adams	241/168
D162,005	S *	2/1951	Burroughs	D7/591
3,356,244	A	12/1967	Witchell	
3,563,417	A *	2/1971	Jordan et al.	D7/591
D247,310	S	2/1978	Safianoff	
D248,204	S *	6/1978	Daenen	D7/591
4,898,298	A *	2/1990	Norris	D9/435
D312,785	S	12/1990	Tucker	

D315,872	S	4/1991	Bixler	
D321,137	S	10/1991	Hofmann et al.	
D329,604	S	9/1992	Kuczer	
D330,164	S	10/1992	Tanaka	
D331,537	S	12/1992	Tucker	
D339,290	S	9/1993	Close	
D435,218	S	12/2000	Kreiseder et al.	
D436,536	S *	1/2001	Levi	D9/447
D481,633	S	11/2003	Schmidtner et al.	
D487,399	S	3/2004	Schmidtner et al.	
D487,699	S	3/2004	Myers et al.	
6,877,626	B2	4/2005	Sherrod	
2002/0027142	A1	3/2002	Klein	
2004/0124170	A1	7/2004	Sherrod	

\* cited by examiner

*Primary Examiner*—Terry A Wallace

(74) *Attorney, Agent, or Firm*—Frost Brown Todd LLC

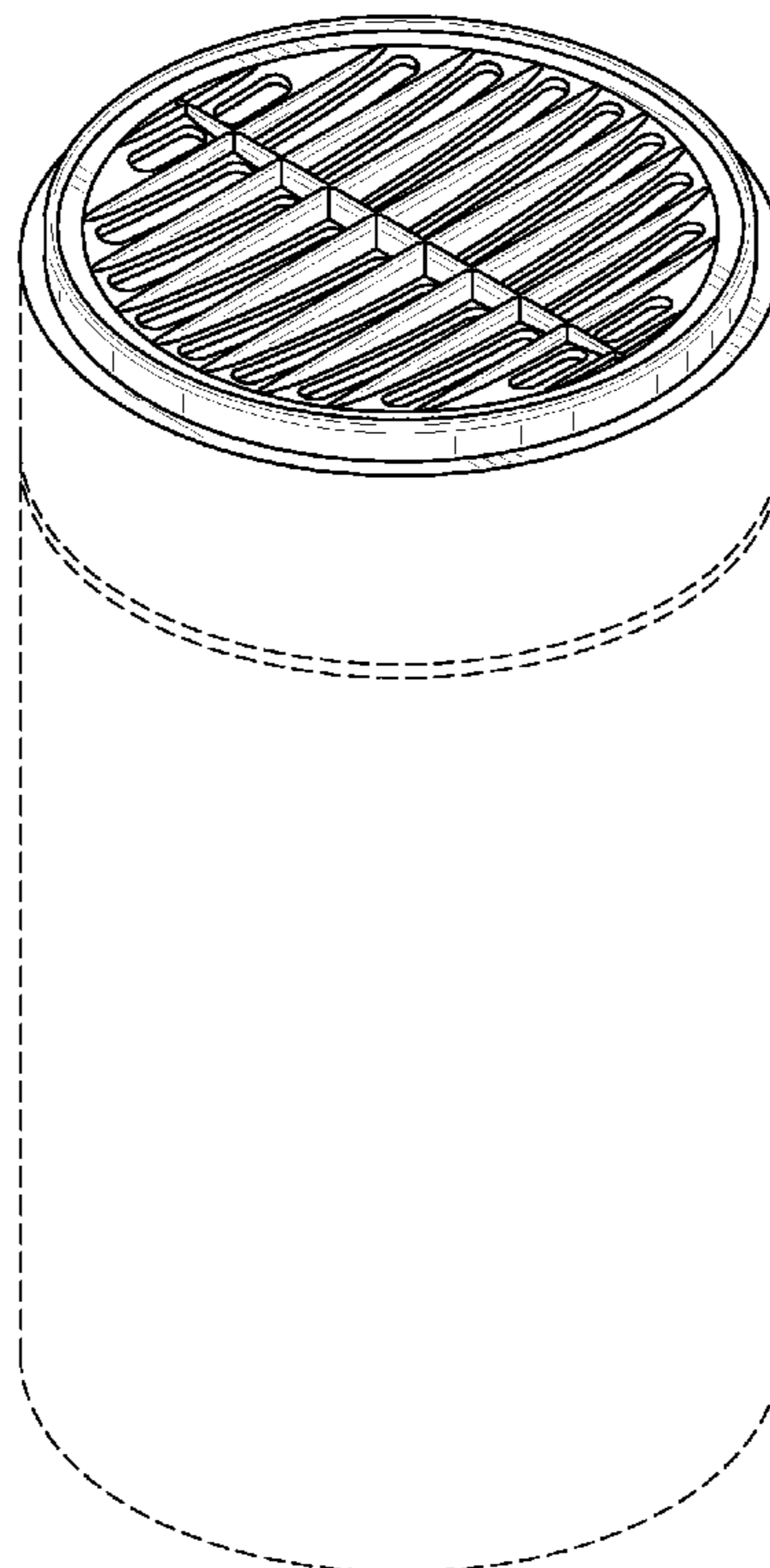
(57) **CLAIM**

The ornamental design for a spice bottle top, as shown and described.

**DESCRIPTION**

FIG. 1 presents an isometric view of my ornamental design. FIG. 2 presents a side view of my ornamental design; and, FIG. 3 presents a top view of my ornamental design. The broken lines in the drawings are for illustrative purposes only and form no part of the claimed ornamental design.

**1 Claim, 3 Drawing Sheets**



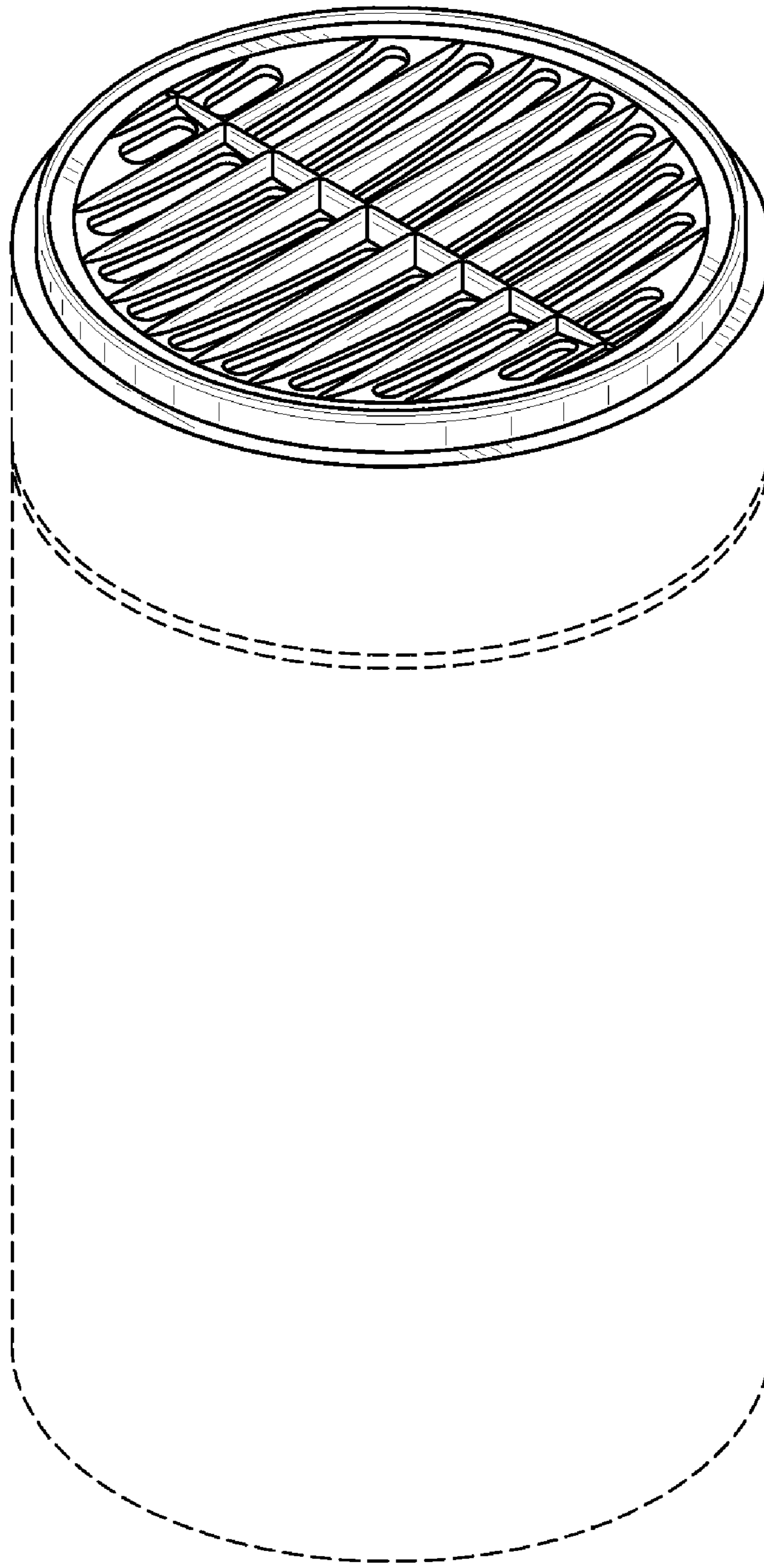


FIG. 1

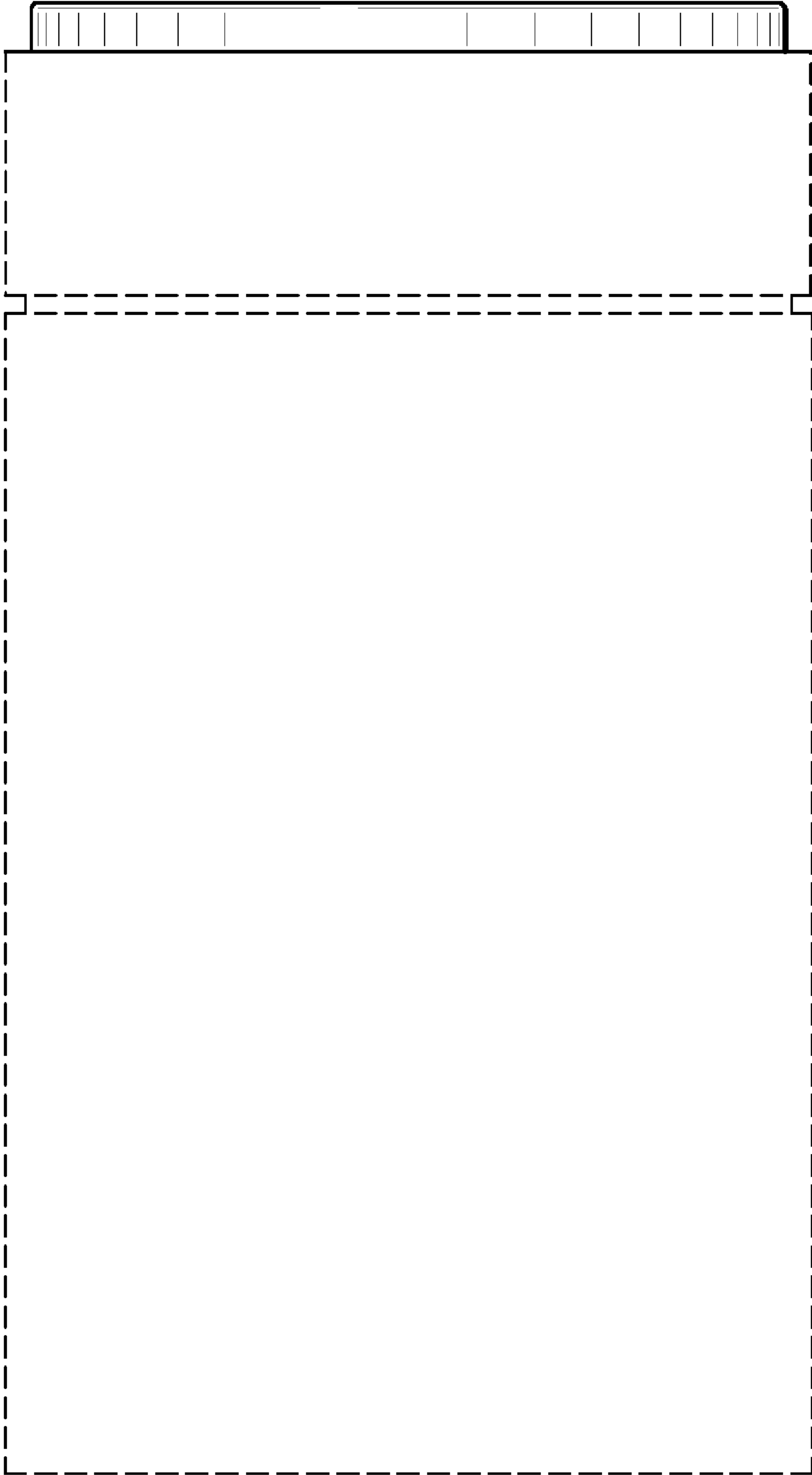


FIG. 2

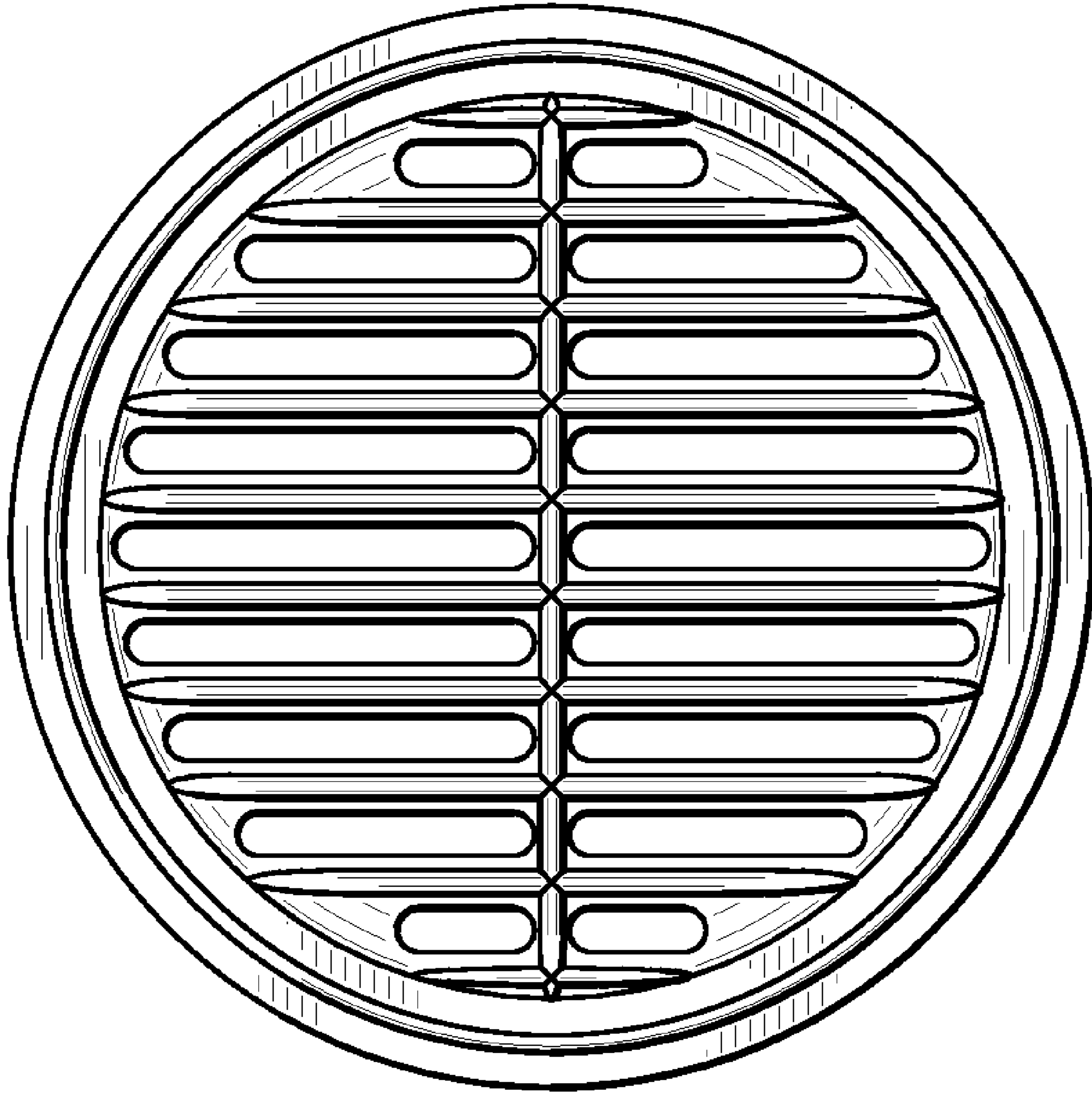


FIG. 3