



US00D558513S

(12) **United States Design Patent**
Scholze et al.

(10) **Patent No.:** **US D558,513 S**
(45) **Date of Patent:** **** Jan. 1, 2008**

(54) **INVERTIBLE LID**

D463,206 S * 9/2002 Rae D7/391
D483,222 S * 12/2003 Willis D7/392.1
D505,596 S * 5/2005 Tucker et al. D7/629

(75) Inventors: **Jeanne Mynatt Scholze**, South
Pittsburg, TN (US); **Lawrence Joseph**
Raydo, Jasper, TN (US)

* cited by examiner

(73) Assignee: **Lodge Manufacturing Company**,
South Pittsburg, TN (US)

Primary Examiner—Holly H. Baynham

Assistant Examiner—Cynthia M. Chin

(74) *Attorney, Agent, or Firm*—Kilpatrick Stockton LLP

(**) Term: **14 Years**

(57) **CLAIM**

(21) Appl. No.: **29/246,170**

The ornamental design for an invertible lid, as shown and described.

(22) Filed: **Mar. 6, 2006**

DESCRIPTION

(51) **LOC (8) Cl.** **07-02**

FIG. 1 shows a perspective view of an invertible lid according to the present invention.

(52) **U.S. Cl.** **D7/392.1**

(58) **Field of Classification Search** D7/316–319,
D7/391–392.1, 396.2, 510–511, 538, 540–542,
D7/629; D9/435, 440, 444, 447, 449–450,
D9/454, 503–504; 215/211, 200, 224; 220/700,
220/701, 703, 711, 713–715, 719

FIG. 2 shows a front elevation view of the invertible lid of FIG. 1, the rear elevation view being a mirror image of the front elevation view.

See application file for complete search history.

FIG. 3 shows a right side elevation view of the invertible lid of FIG. 1, the left side elevation view being a mirror image of the right side elevation view.

(56) **References Cited**

FIG. 4 shows a top view of the invertible lid of FIG. 1; and,

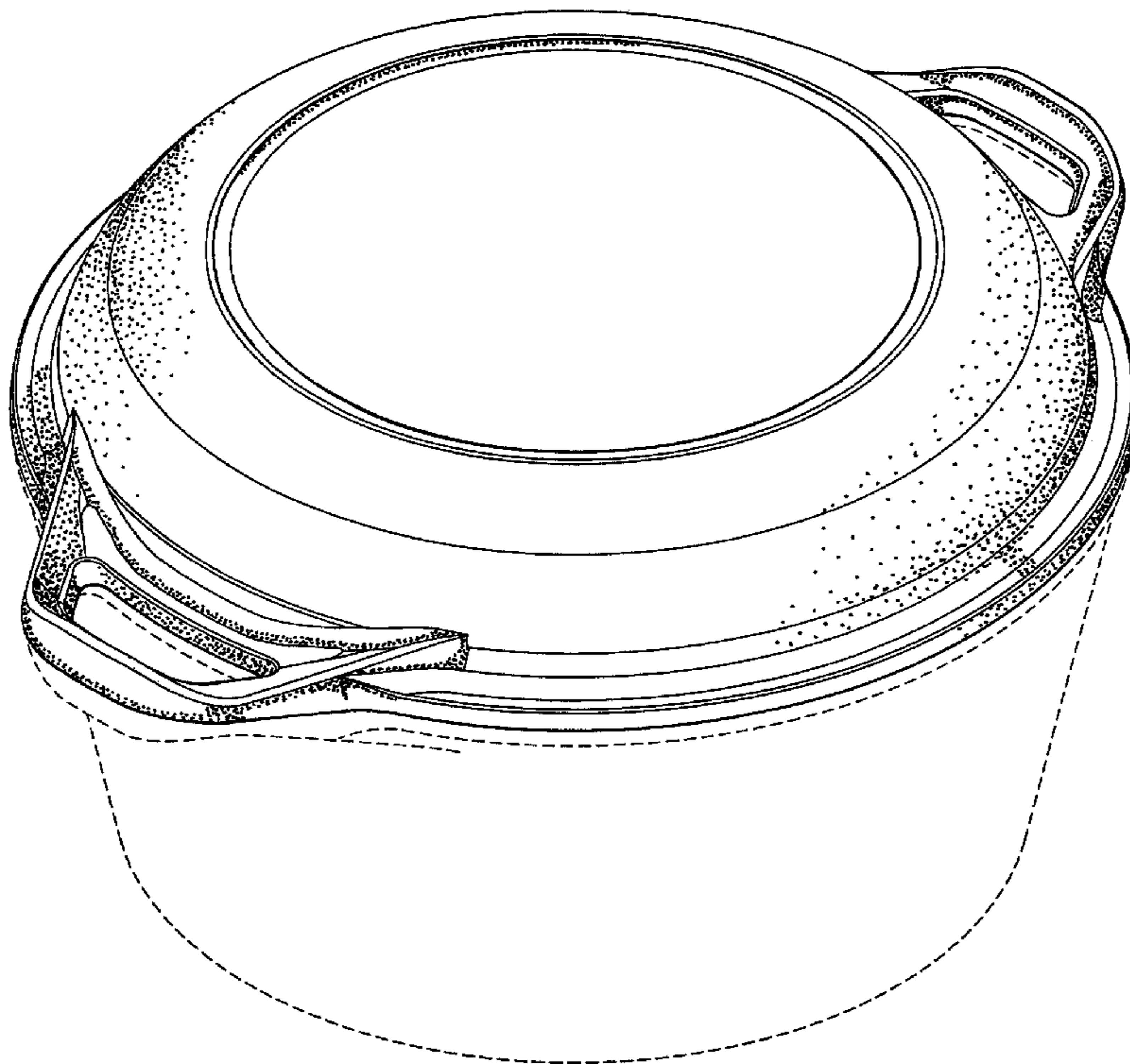
U.S. PATENT DOCUMENTS

FIG. 5 shows a bottom view of the invertible lid of FIG. 1.

D287,208 S * 12/1986 Daenen et al. D7/392.1
4,809,868 A * 3/1989 Pomroy 220/260
D326,797 S * 6/1992 Pomroy et al. D7/538
D339,958 S * 10/1993 Olsen et al. D7/392.1
D373,704 S * 9/1996 Doxey D7/391
D383,939 S * 9/1997 Jeppesen et al. D7/392.1
D417,584 S * 12/1999 Lillelund et al. D7/392.1

Portions or features of the invertible lid not shown in the drawings form no part of the claimed design. The broken lines shown in the drawings are for illustrative purposes only, and form no part of the claimed design.

1 Claim, 4 Drawing Sheets



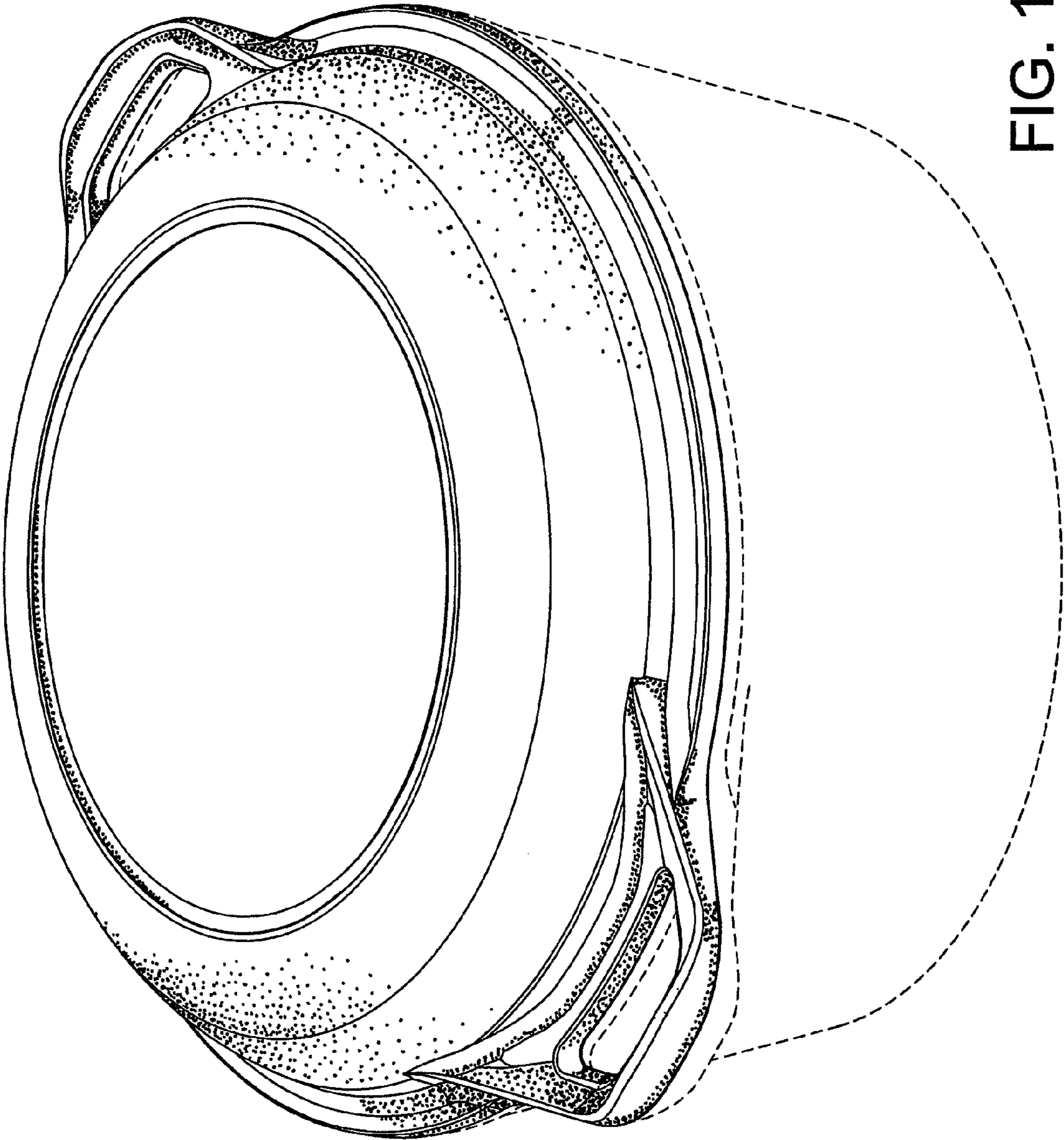


FIG. 1

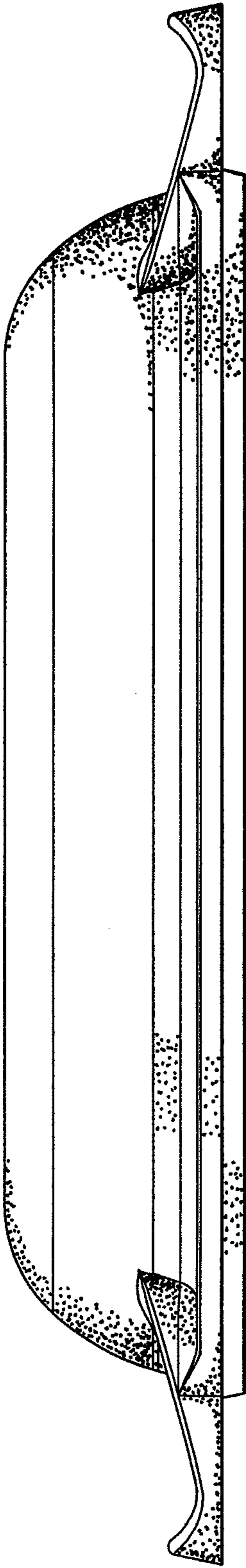


FIG. 2

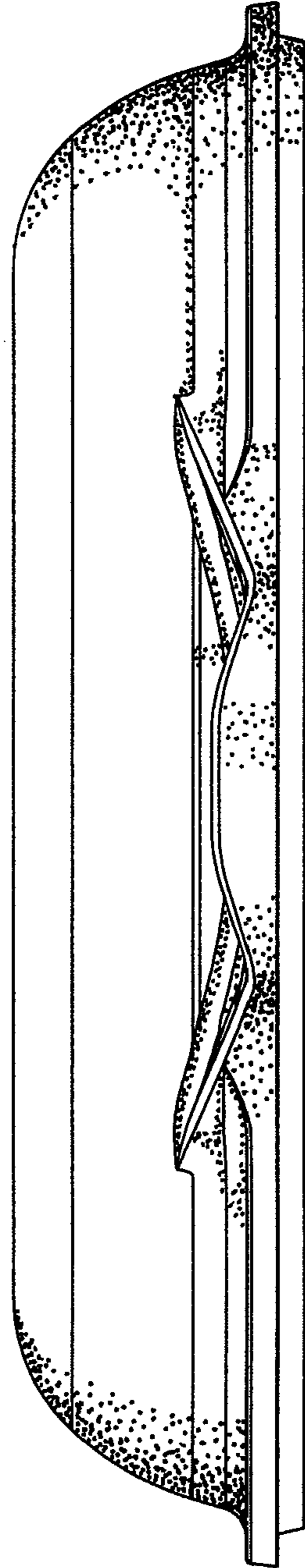


FIG. 3

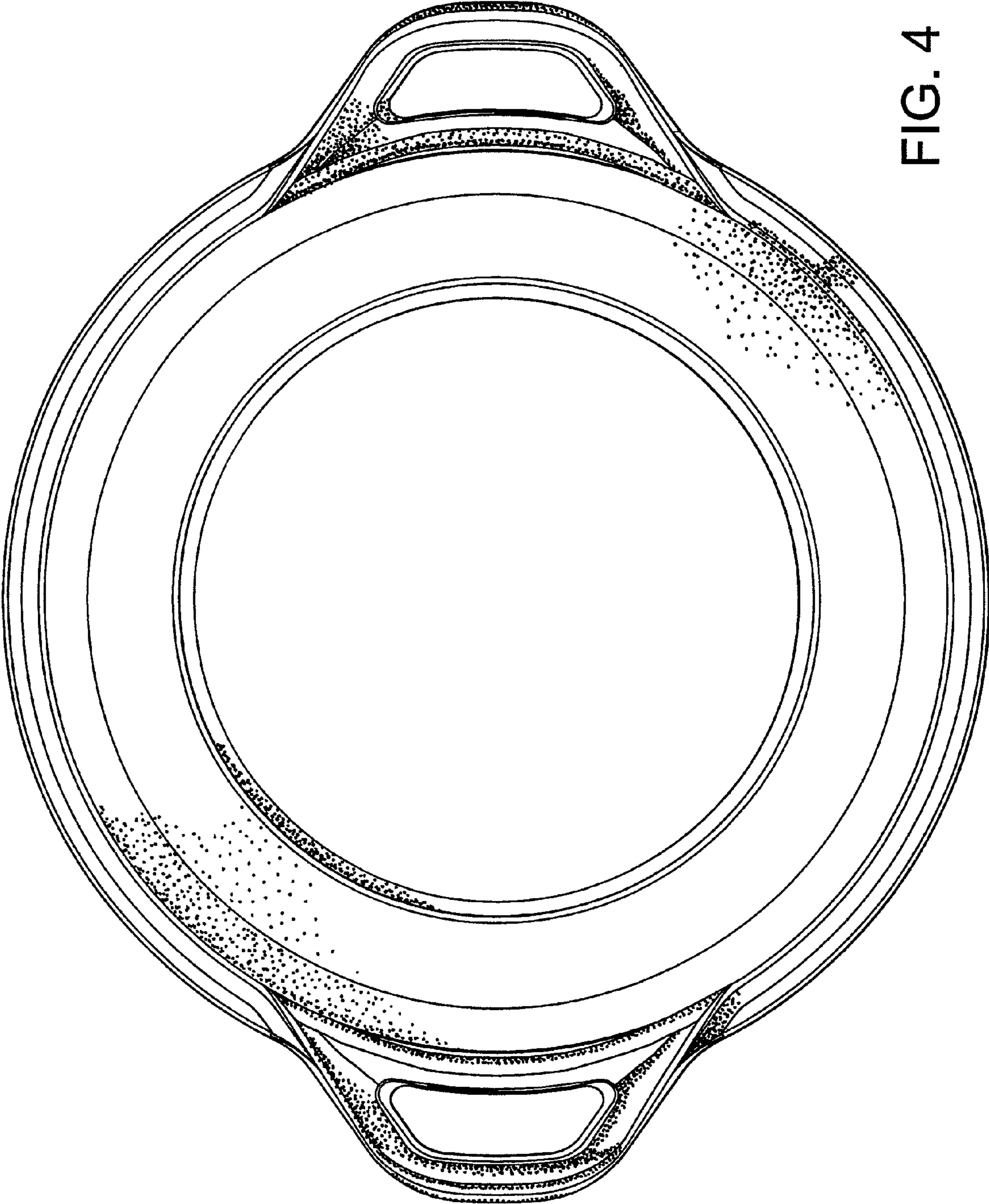


FIG. 4

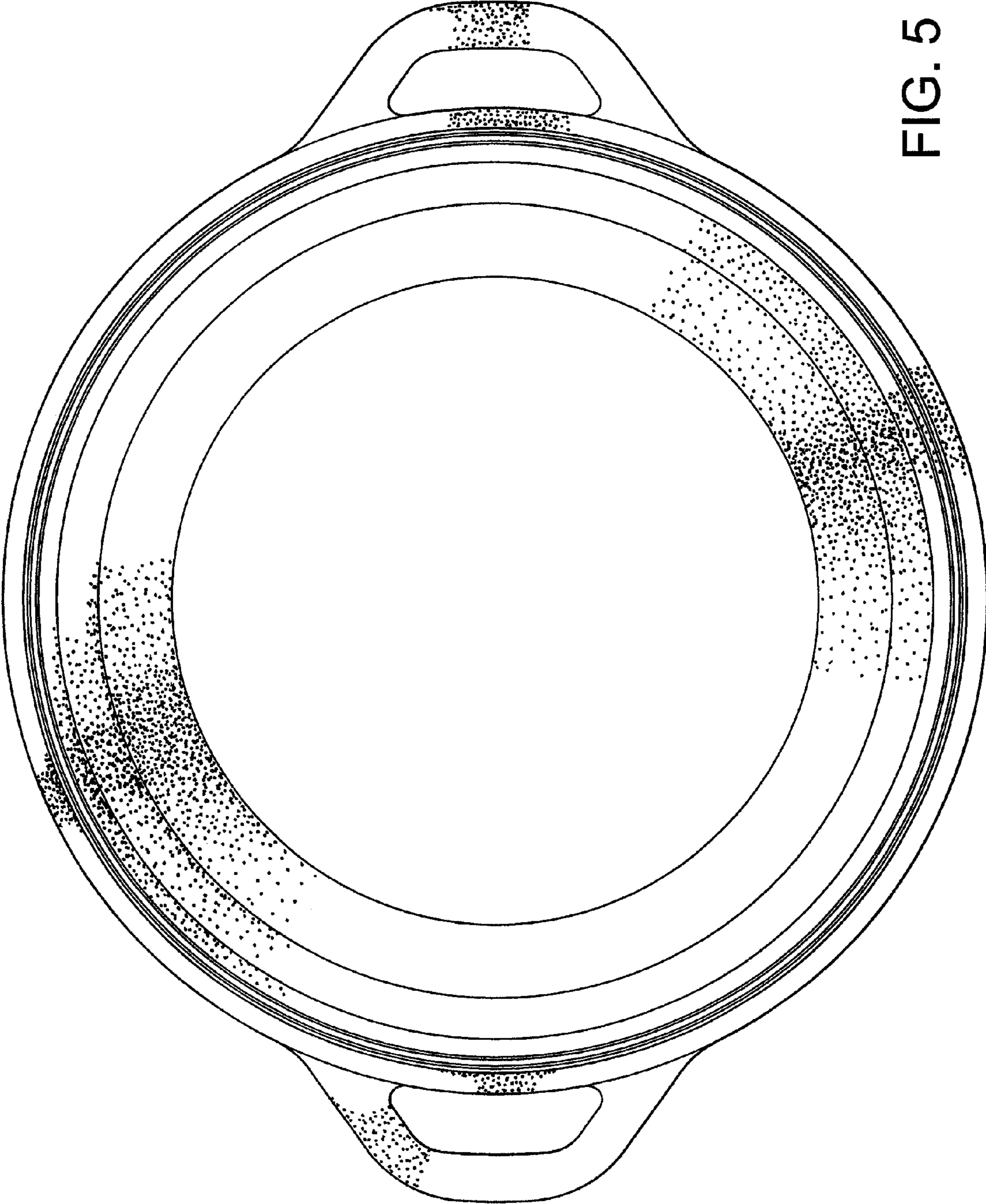


FIG. 5