

US00D558511S

(12) **United States Design Patent**
Brunner et al.

(10) **Patent No.: US D558,511 S**

(45) **Date of Patent: ** *Jan. 1, 2008**

(54) **COMBINED COOKING BASE AND GRILL**

D463,195 S * 9/2002 Jimenez D7/332
D524,592 S * 7/2006 Brunner et al. D7/332

(76) Inventors: **John Brunner**, c/o Direct Designs,
Manor Farm Factory, Cricket St.,
Thomas Chard, England, Somerset (GB)
TA20 4BZ; **Jeremy Taylor**, c/o Direct
Designs, Manor Farm Factory, Cricket
St., Thomas Chard, England, Somerset
(GB) TA20 4BZ

* cited by examiner

Primary Examiner—Ruth McInroy
(74) *Attorney, Agent, or Firm*—Ostrolenk, Faber, Gerb &
Soffen, LLP

(*) Notice: This patent is subject to a terminal dis-
claimer.

(**) Term: **14 Years**

(21) Appl. No.: **29/255,649**

(22) Filed: **Mar. 10, 2006**

(51) **LOC (8) Cl.** **07-02**

(52) **U.S. Cl.** **D7/332**

(58) **Field of Classification Search** D23/343,
D23/345, 348, 350; D7/332–337, 402–405;
126/25 A, 25 AA, 25 R, 9 R, 9 B, 38, 37 R,
126/41 R, 40, 50, 12, 276, 8, 304 R; 99/481–482;
312/249.13, 249.8, 351.2

See application file for complete search history.

(56) **References Cited**

U.S. PATENT DOCUMENTS

3,316,892 A * 5/1967 Hanke 126/25 R
D321,108 S * 10/1991 Lutter et al. D7/332
D382,765 S * 8/1997 Kellermann D7/332
D386,936 S * 12/1997 Stone et al. D7/332

(57) **CLAIM**

The ornamental design for a combined cooking base and
grill, as shown and described.

DESCRIPTION

FIG. 1 is a front view of a cooking grill base (with the grill
portion removed) showing my new design;

FIG. 2 is a rear view thereof;

FIG. 3 is a left side view thereof;

FIG. 4 is a right side view thereof;

FIG. 5 is a top view thereof;

FIG. 6 is a bottom view thereof;

FIG. 7 is a front view of a combined cooking base and grill;

FIG. 8 is a rear view thereof;

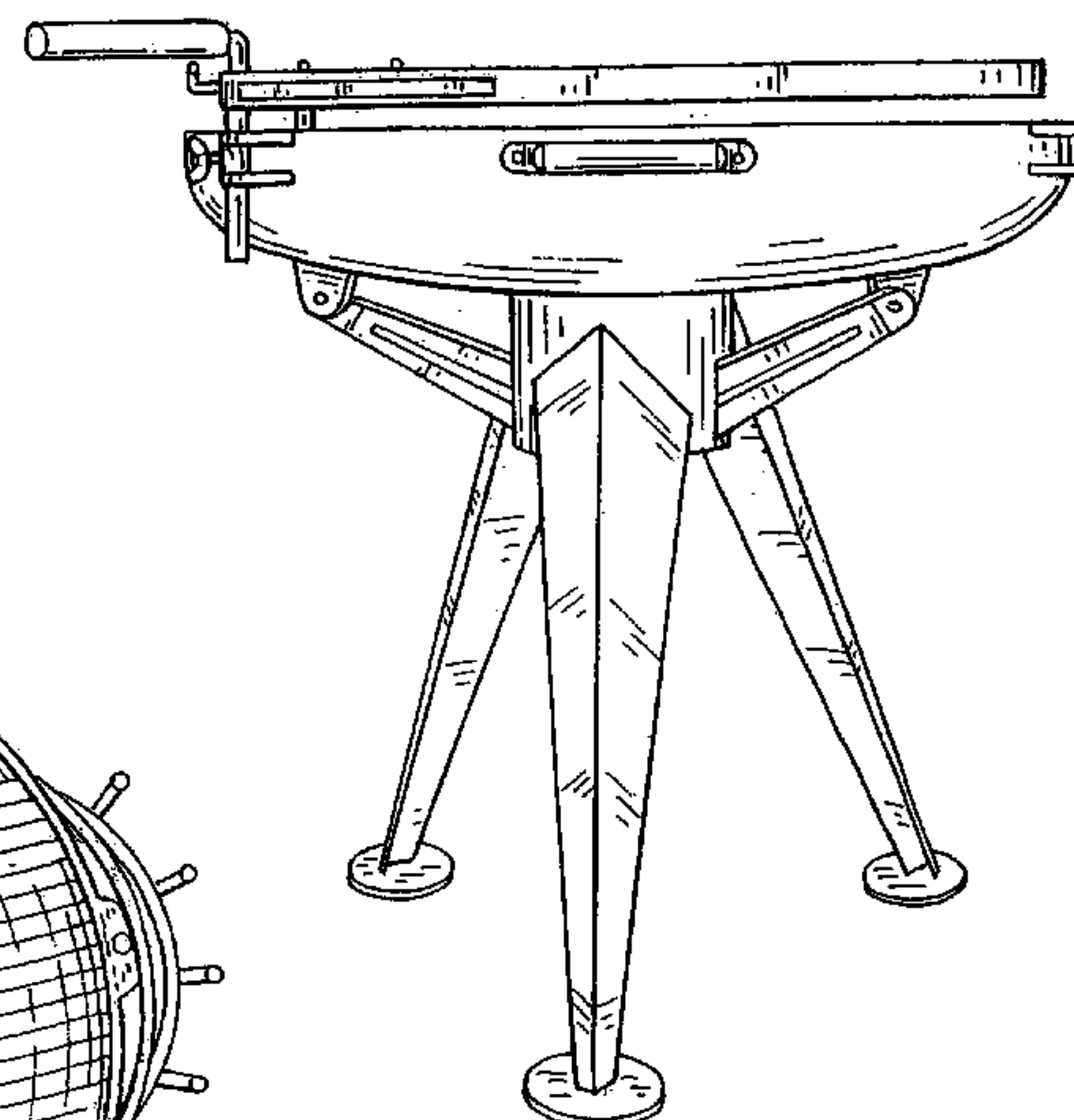
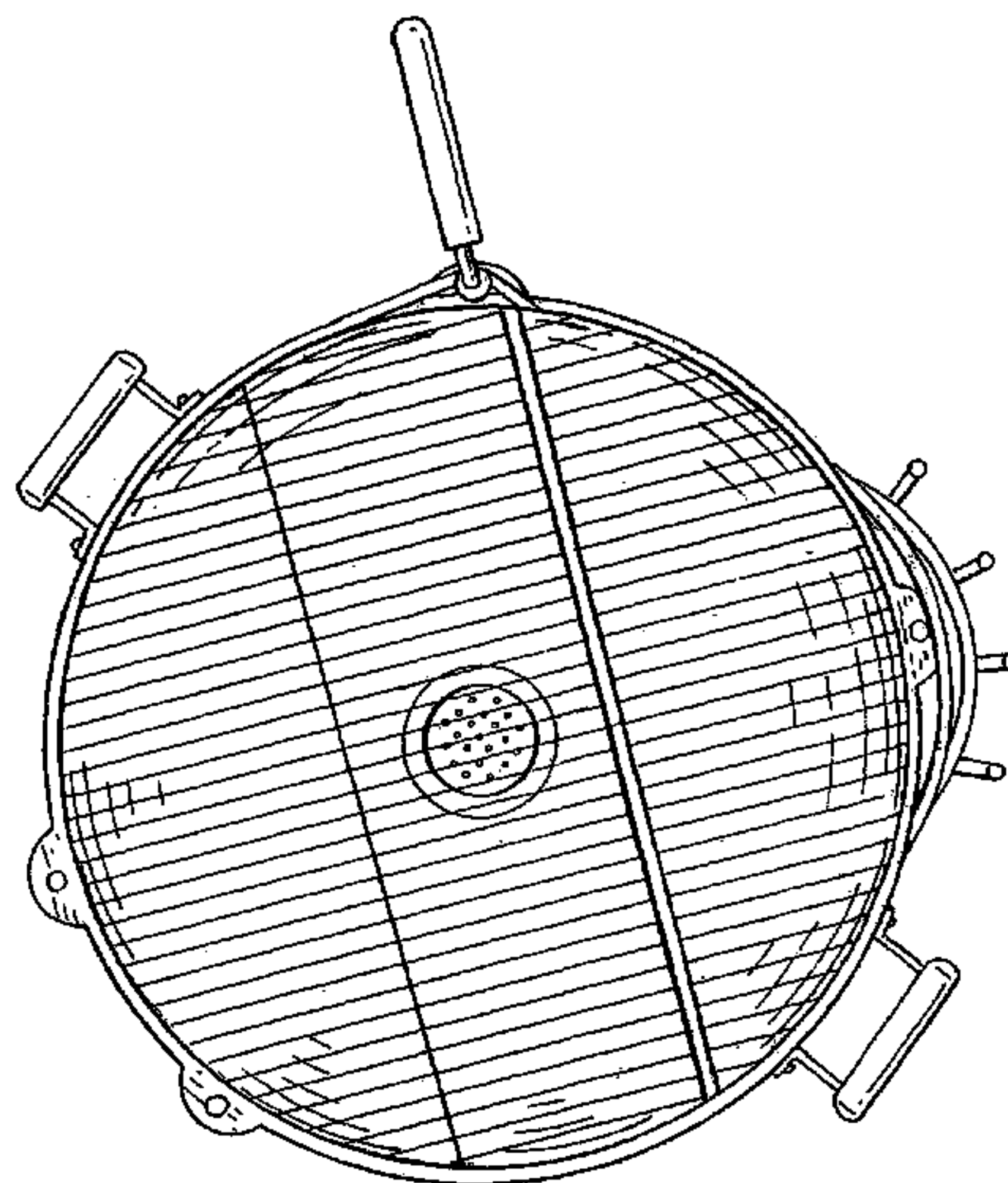
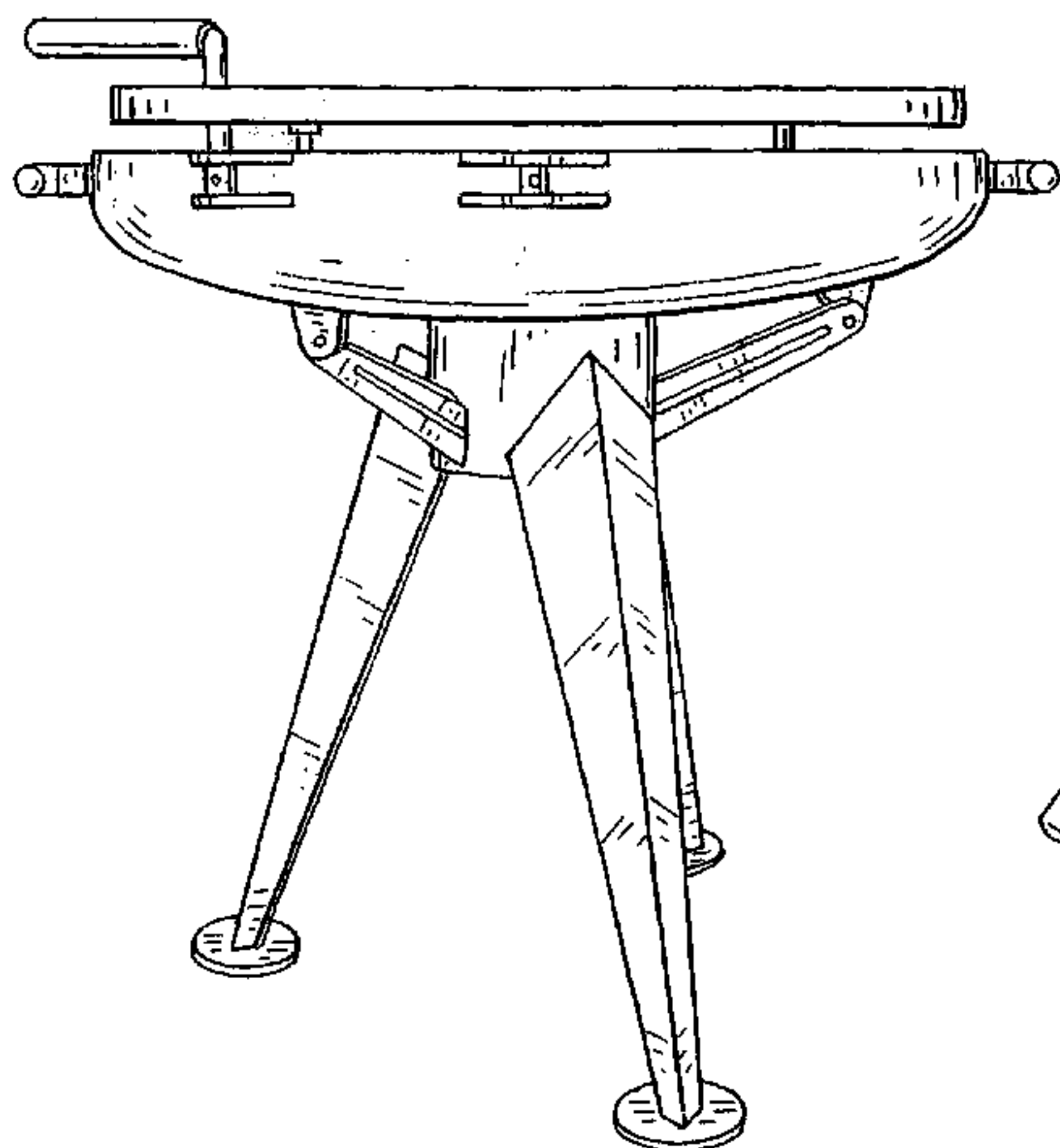
FIG. 9 is a right side view thereof;

FIG. 10 is a left side view thereof; and,

FIG. 11 is a top view thereof.

FIGS. 1–6 are shown separate for clarity of illustration, the
claim being directed to the entire grill shown in FIGS. 7–11.

1 Claim, 11 Drawing Sheets



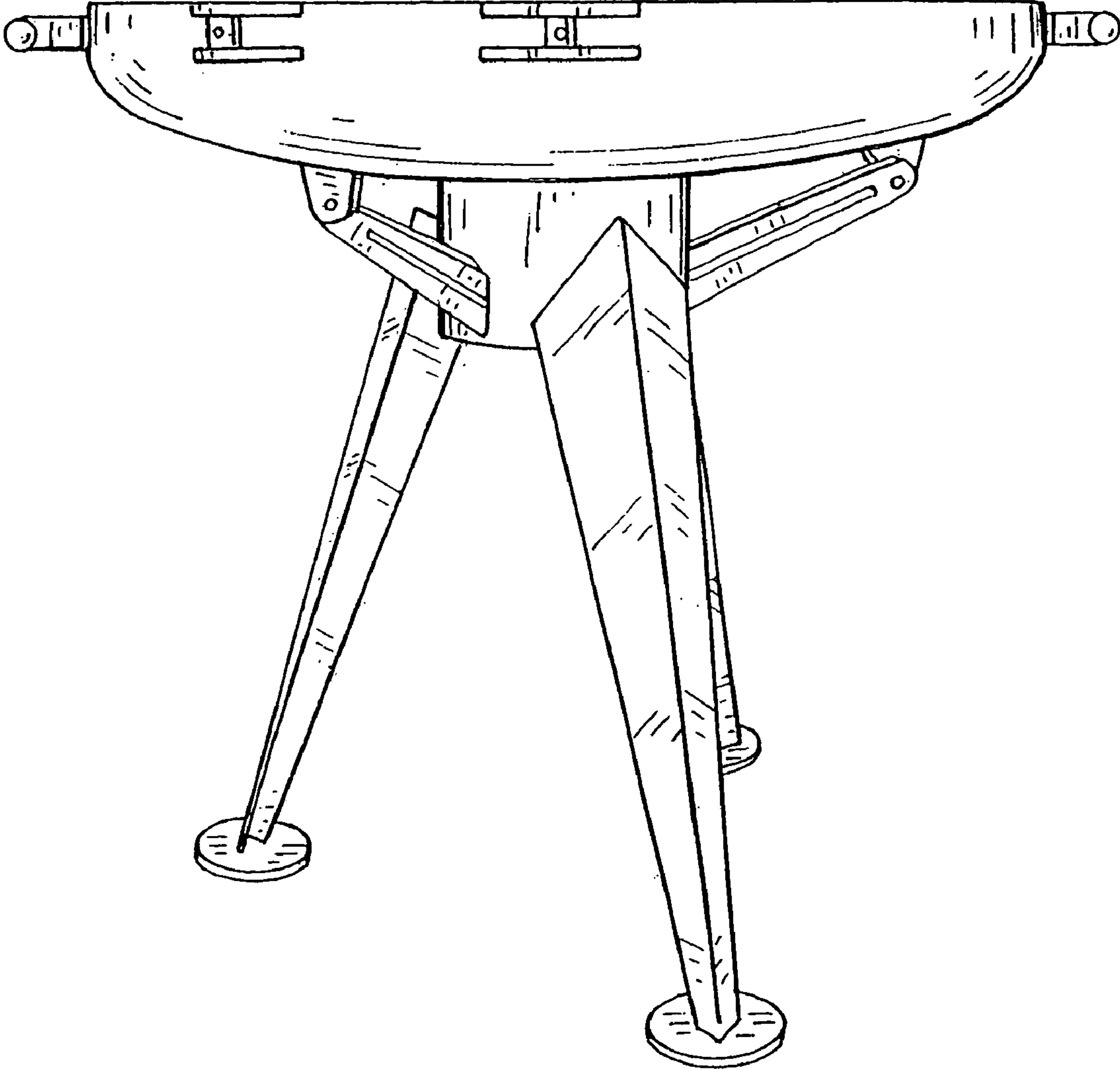


FIG. 1

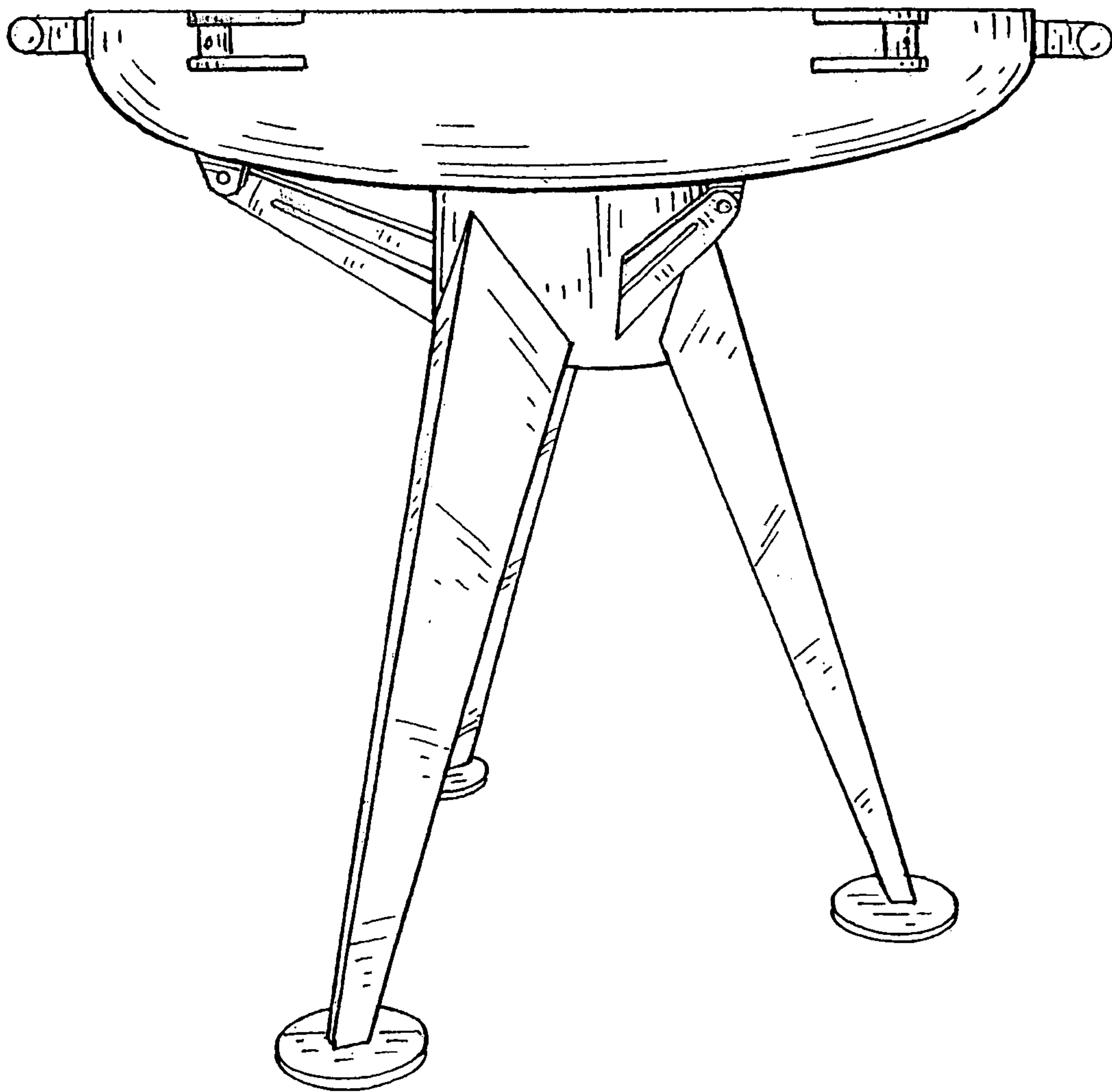


FIG.2

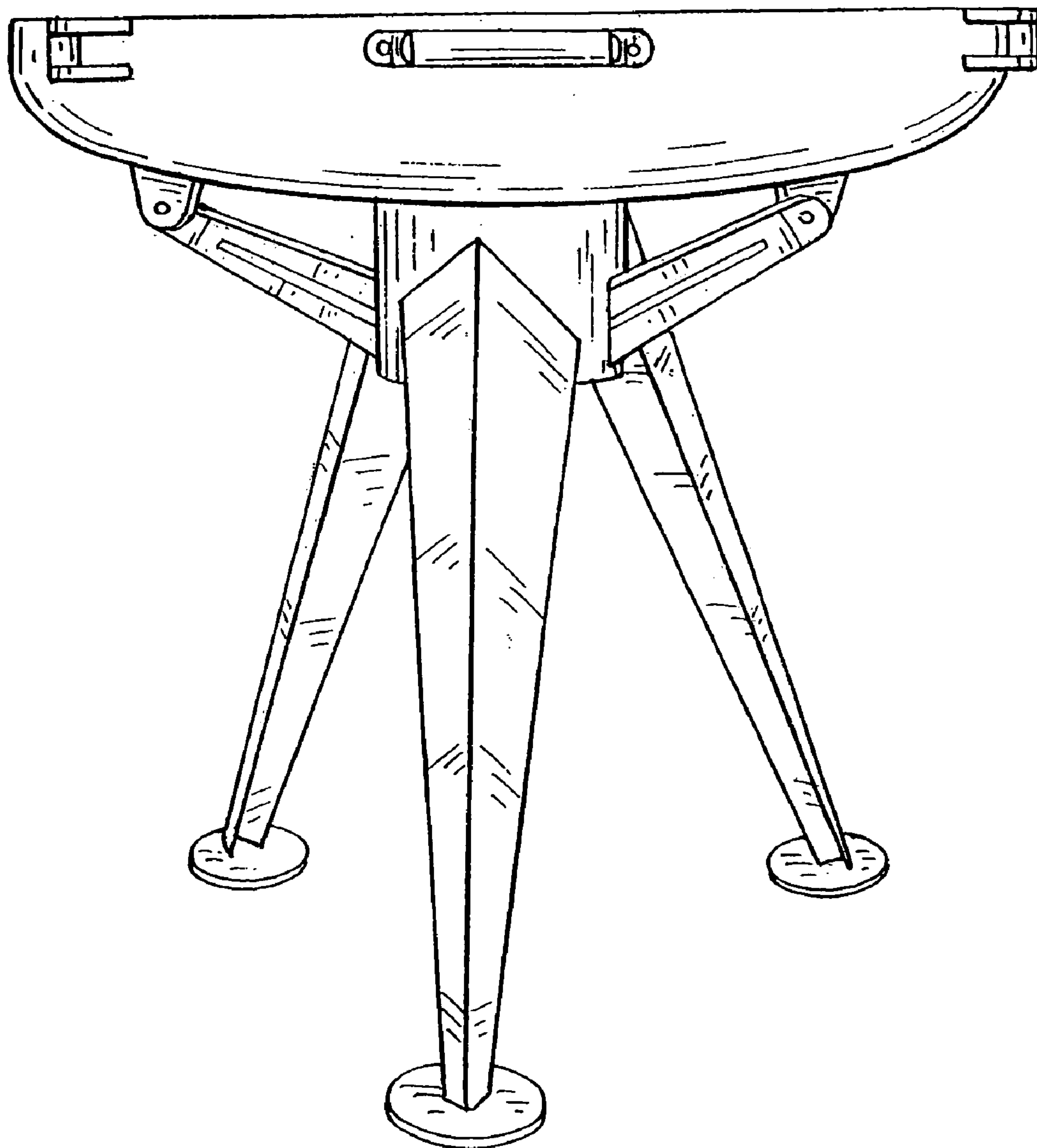


FIG. 3

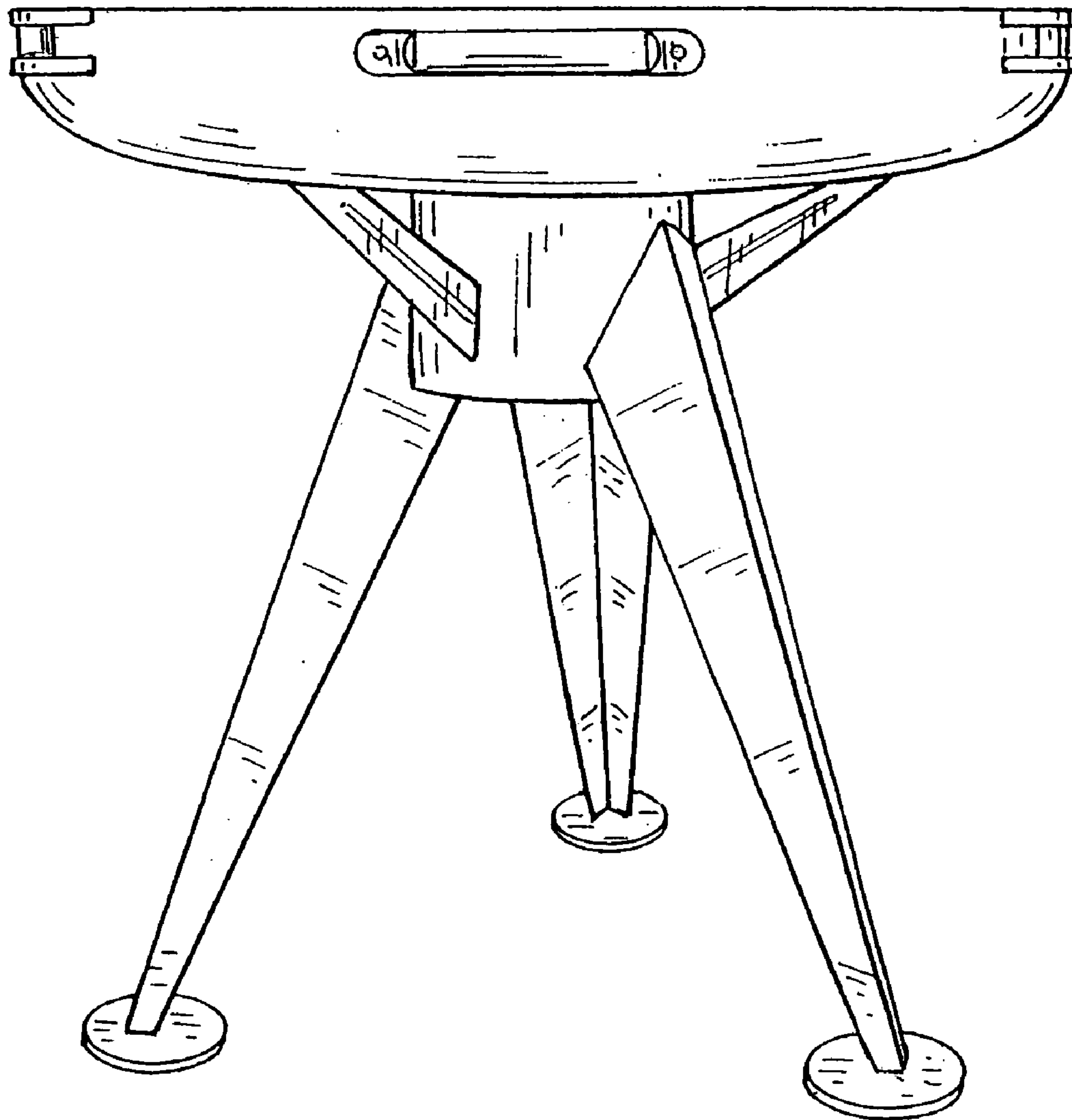


FIG. 4

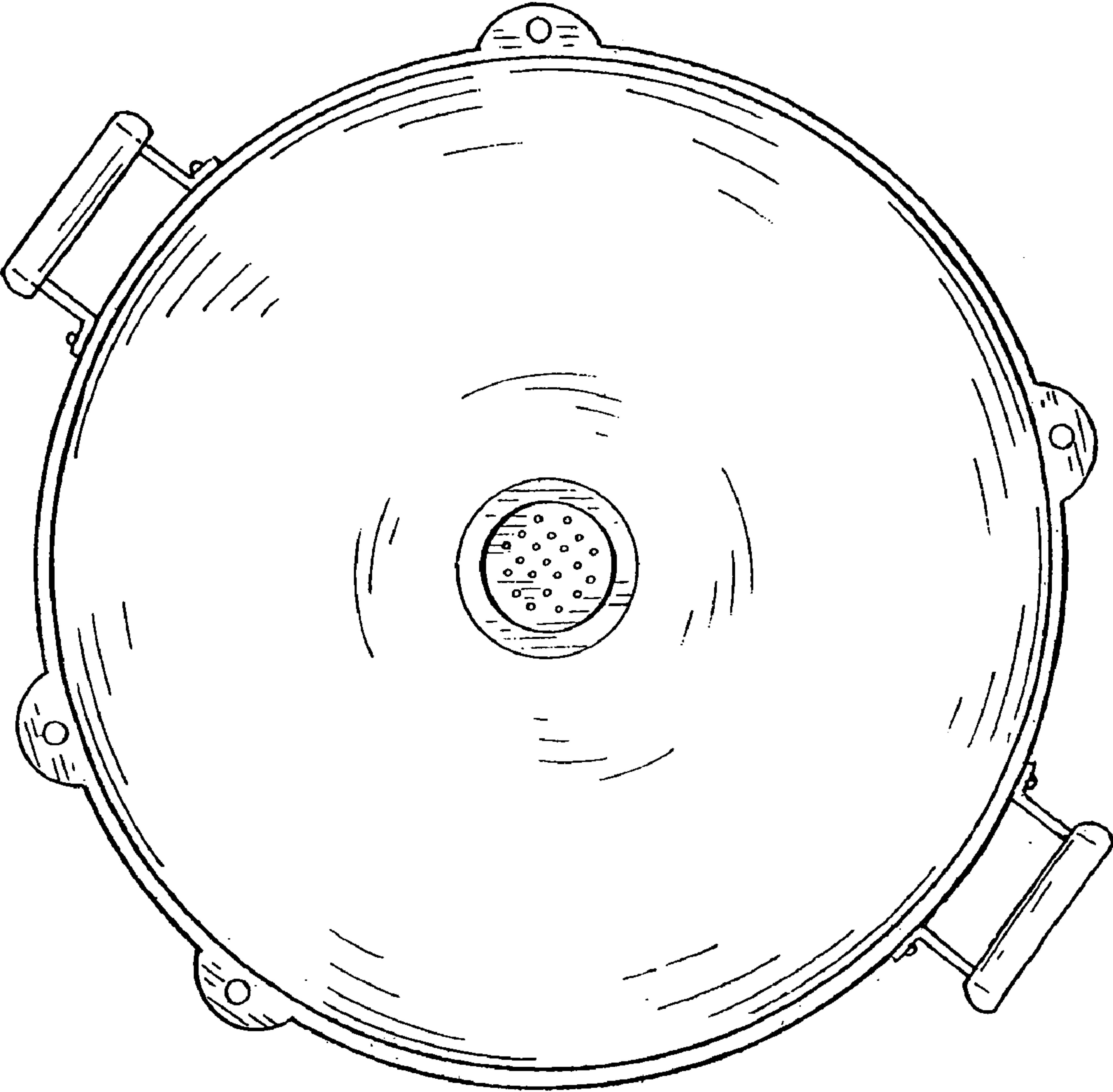


FIG. 5

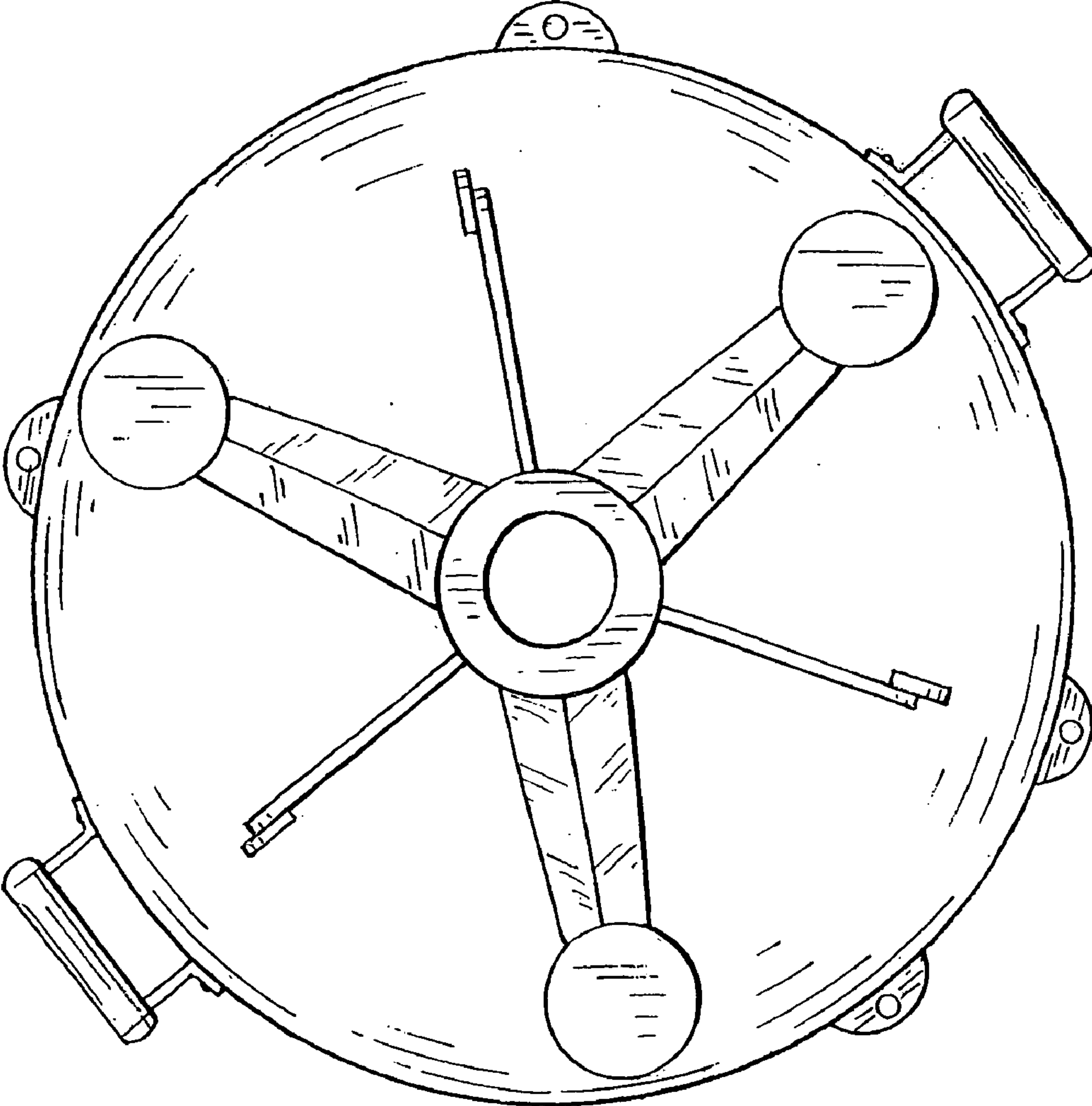


FIG.6

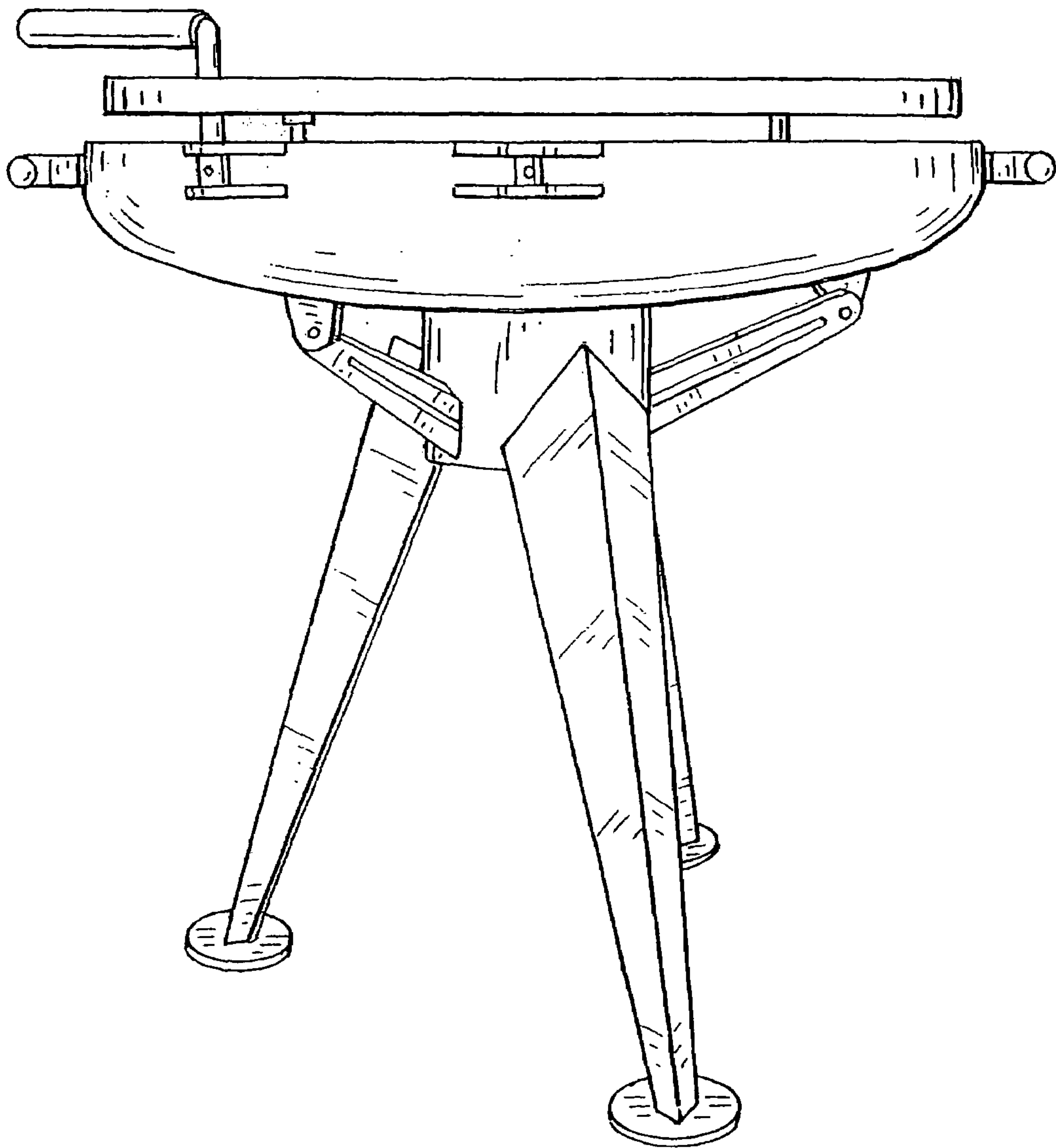


FIG. 7

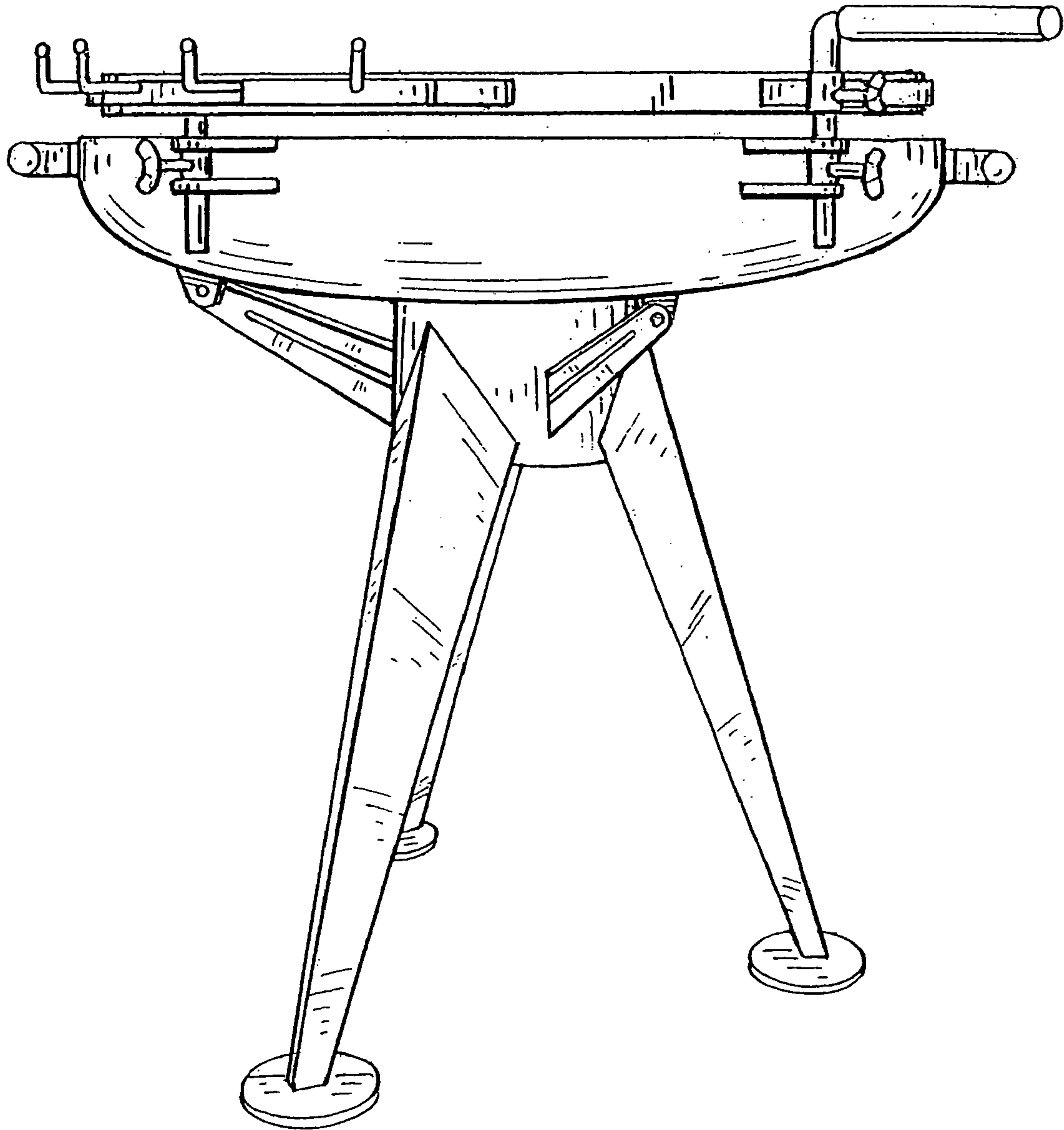


FIG.8

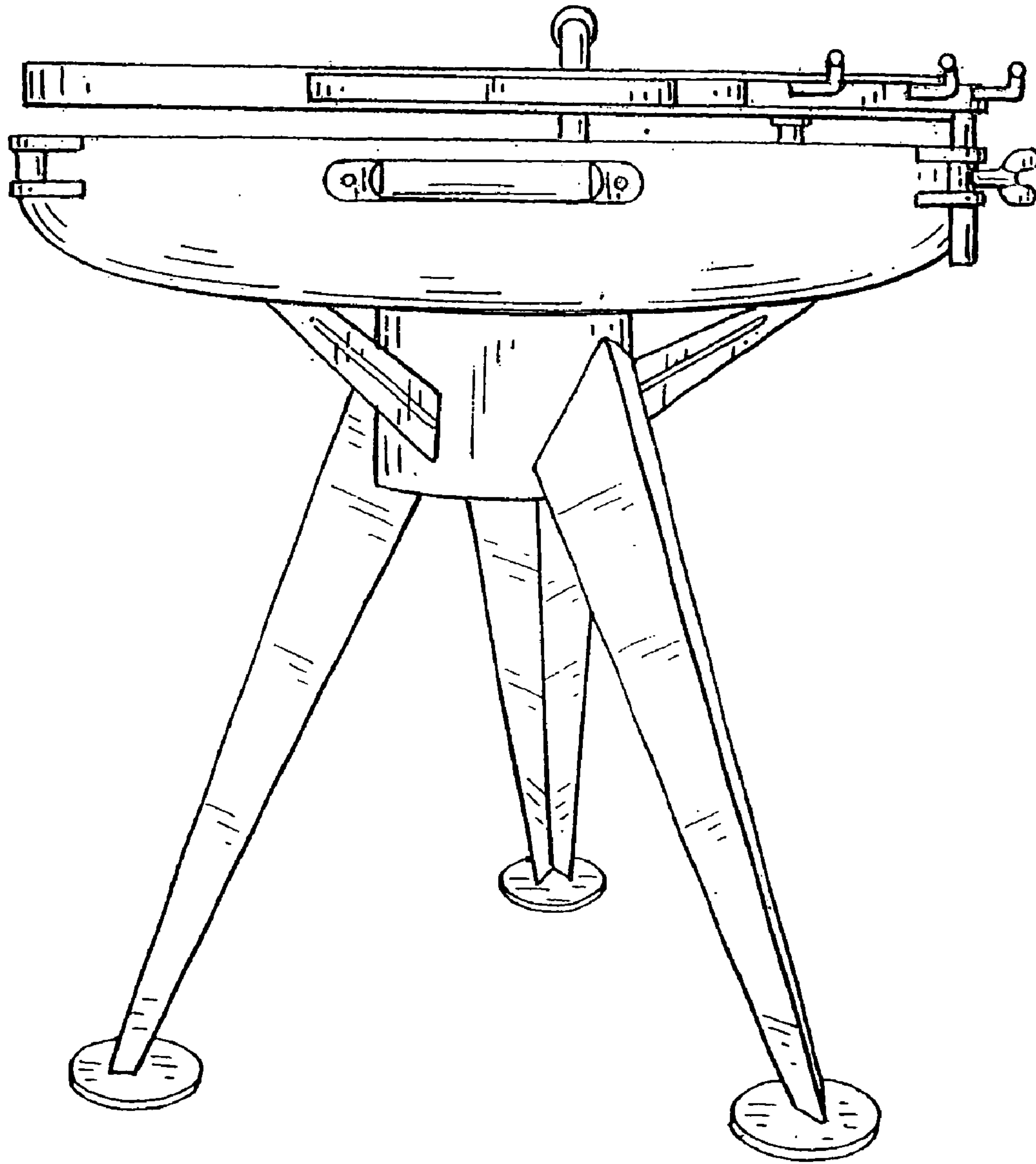


FIG. 9

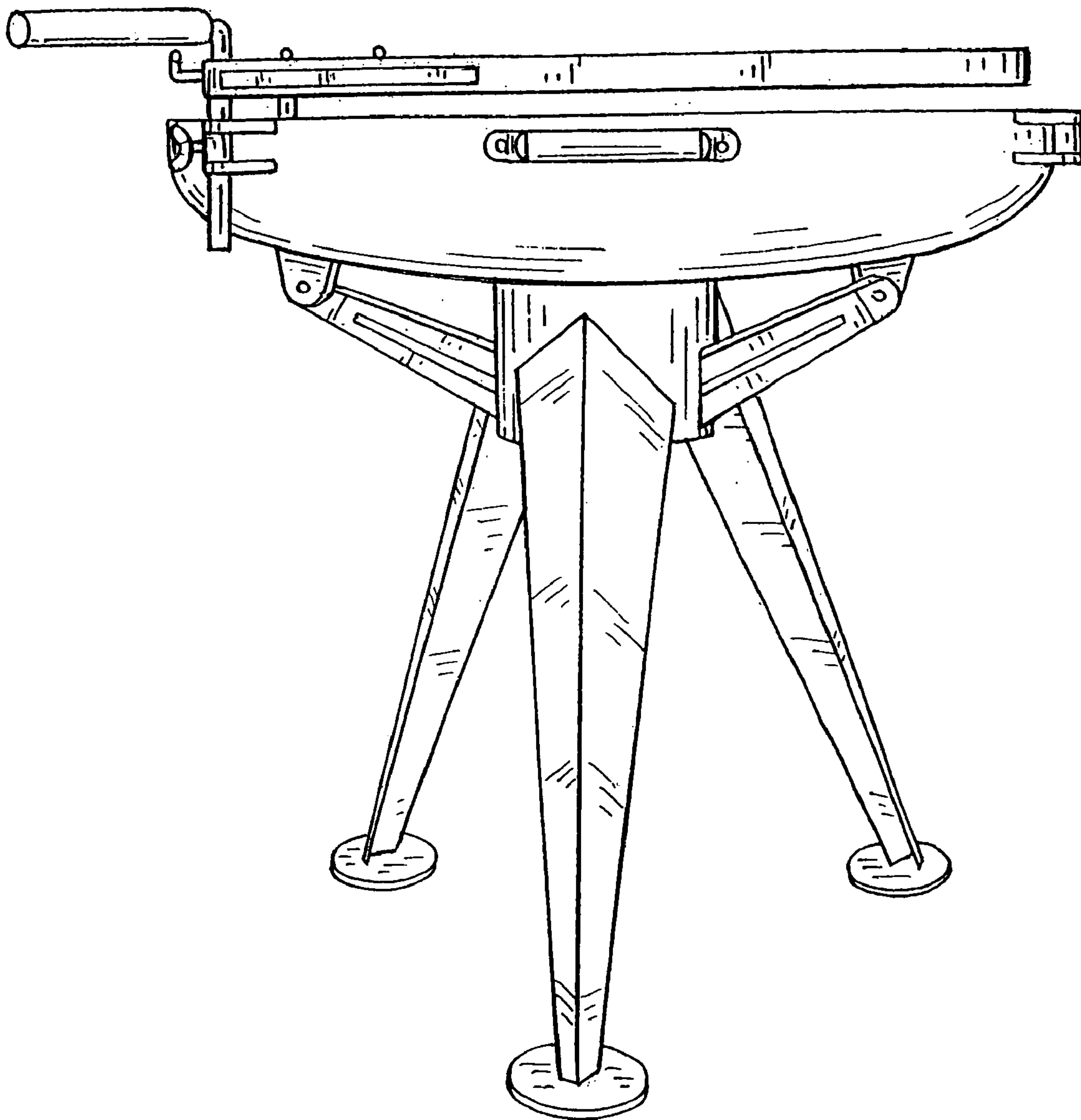


FIG. 10

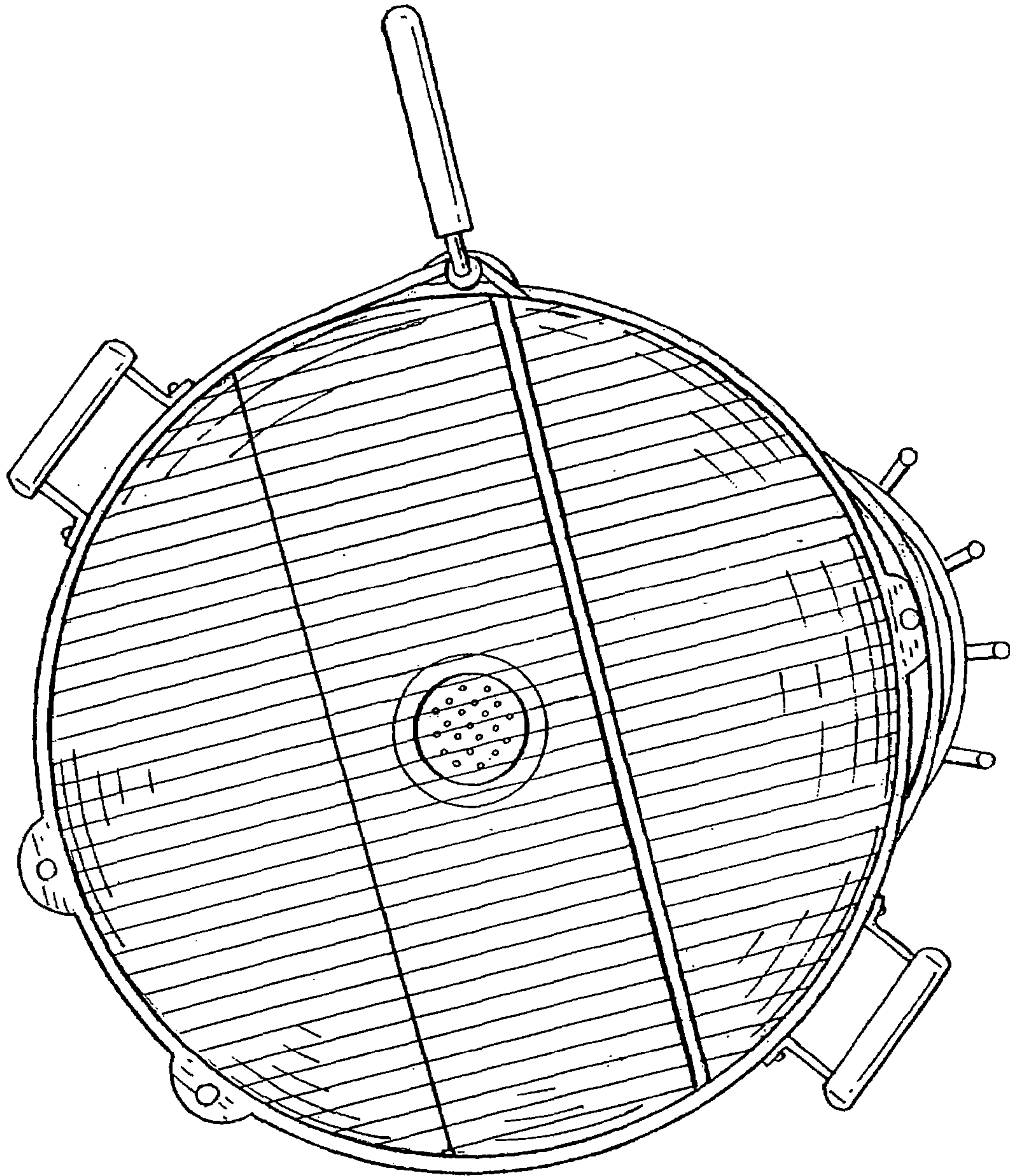


FIG. 11